

US00D590068S

(12) **United States Design Patent**
Woller

(10) **Patent No.:** **US D590,068 S**

(45) **Date of Patent:** **** Apr. 7, 2009**

(54) **MODULAR TREE LADDER**

(75) Inventor: **Ronald R. Woller**, Decatur, AL (US)

(73) Assignee: **Summit Treestands, LLC**, Decatur, AL (US)

(**) Term: **14 Years**

(21) Appl. No.: **29/319,187**

(22) Filed: **Jun. 5, 2008**

Related U.S. Application Data

(63) Continuation of application No. 10/426,550, filed on Apr. 30, 2003.

(51) **LOC (9) Cl.** **25-04**

(52) **U.S. Cl.** **D25/62; D25/64**

(58) **Field of Classification Search** D25/62, D25/64; 182/100, 92, 93, 187, 189, 133, 182/178.1

See application file for complete search history.

(56) **References Cited**

U.S. PATENT DOCUMENTS

3,561,563	A *	2/1971	Harsh	182/92
3,598,201	A	8/1971	Thurmond		
3,961,686	A	6/1976	Starkey		
4,422,527	A	12/1983	Schultz et al.		
4,844,207	A	7/1989	Andrews et al.		
5,086,873	A	2/1992	George		
5,109,954	A	5/1992	Skyba		
5,277,273	A	1/1994	Grimes		
5,439,072	A	8/1995	Jenkins, Jr.		
5,752,580	A	5/1998	Jenkins, Jr.		
5,806,626	A *	9/1998	Jenkins, Jr.	182/100

5,816,362	A	10/1998	Jenkins, Jr.		
D417,011	S *	11/1999	Woller et al.	D25/64
6,138,792	A	10/2000	Morris		
6,170,609	B1	1/2001	Dech		
D442,699	S *	5/2001	Myer, III	D25/62
2003/0146048	A1	8/2003	Garbs		

* cited by examiner

Primary Examiner—Doris Clark

(74) *Attorney, Agent, or Firm*—Gardner Groff Greenwald & Villanueva, PC

(57) **CLAIM**

The ornamental design for a modular tree ladder, as shown and described.

DESCRIPTION

FIG. 1 is a perspective view of a modular tree ladder shown attached to a tree. The broken lines are for illustrative purposes only and form no part of the claimed design.

FIG. 2 is a front view of the modular tree ladder as shown in FIG. 1;

FIG. 3 is a left side elevation view of the modular tree ladder as shown in FIG. 1;

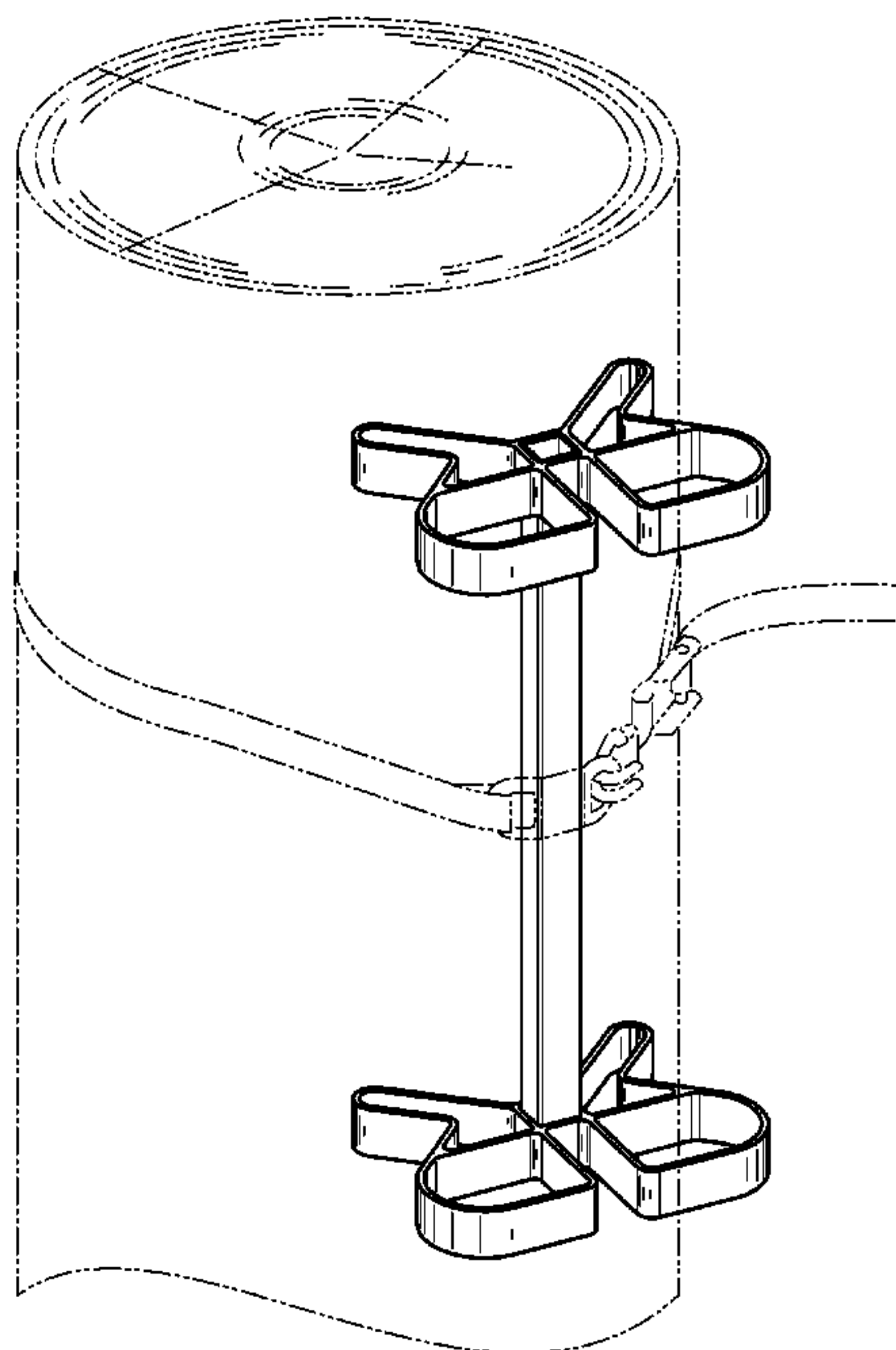
FIG. 4 is a rear view of the modular tree ladder as shown in FIG. 1;

FIG. 5 is a right side elevation view of the modular tree ladder as shown in FIG. 1;

FIG. 6 is a top plan view of the modular tree ladder as shown in FIG. 1; and,

FIG. 7 is a bottom plan view of the modular tree ladder as shown in FIG. 1.

1 Claim, 4 Drawing Sheets



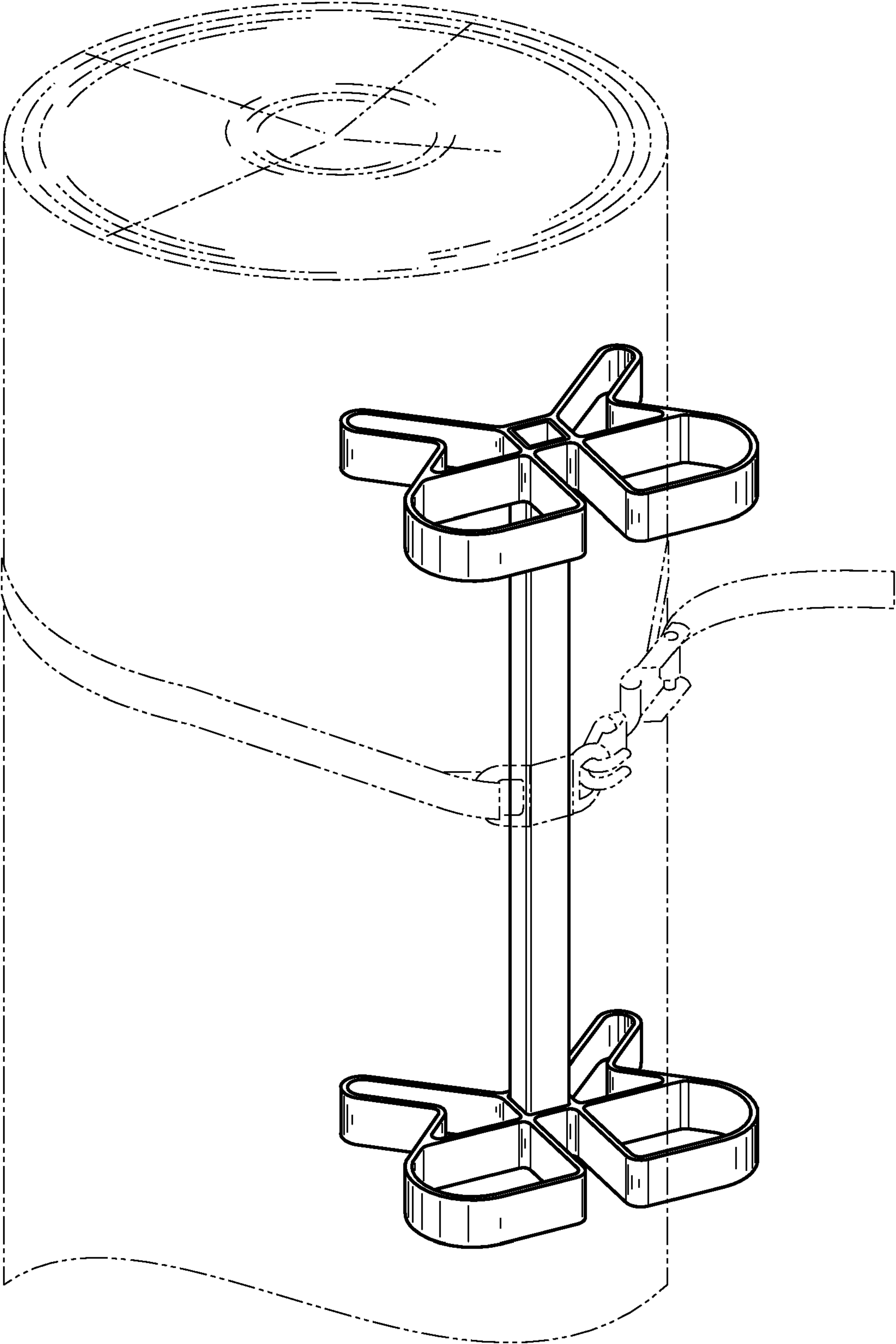


Fig. 1

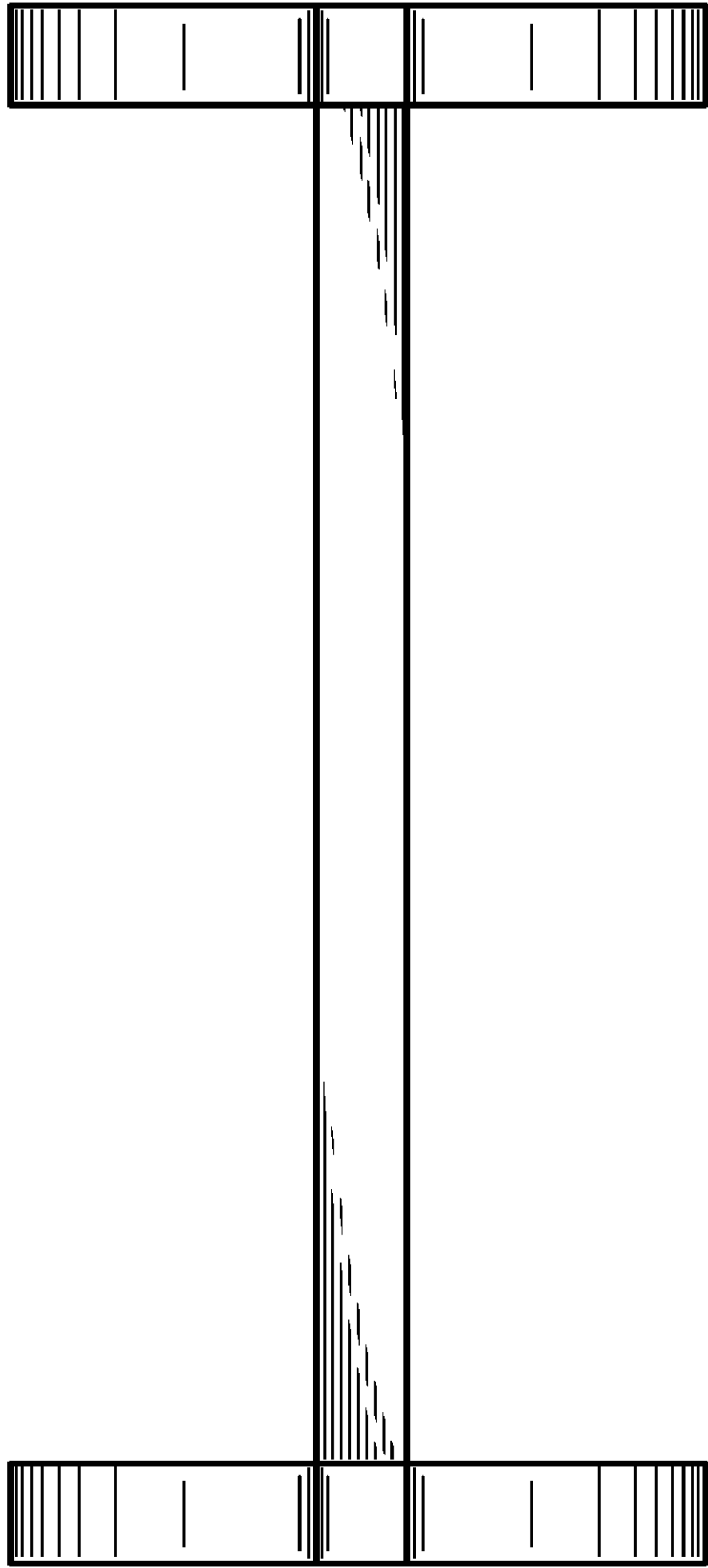


Fig. 2

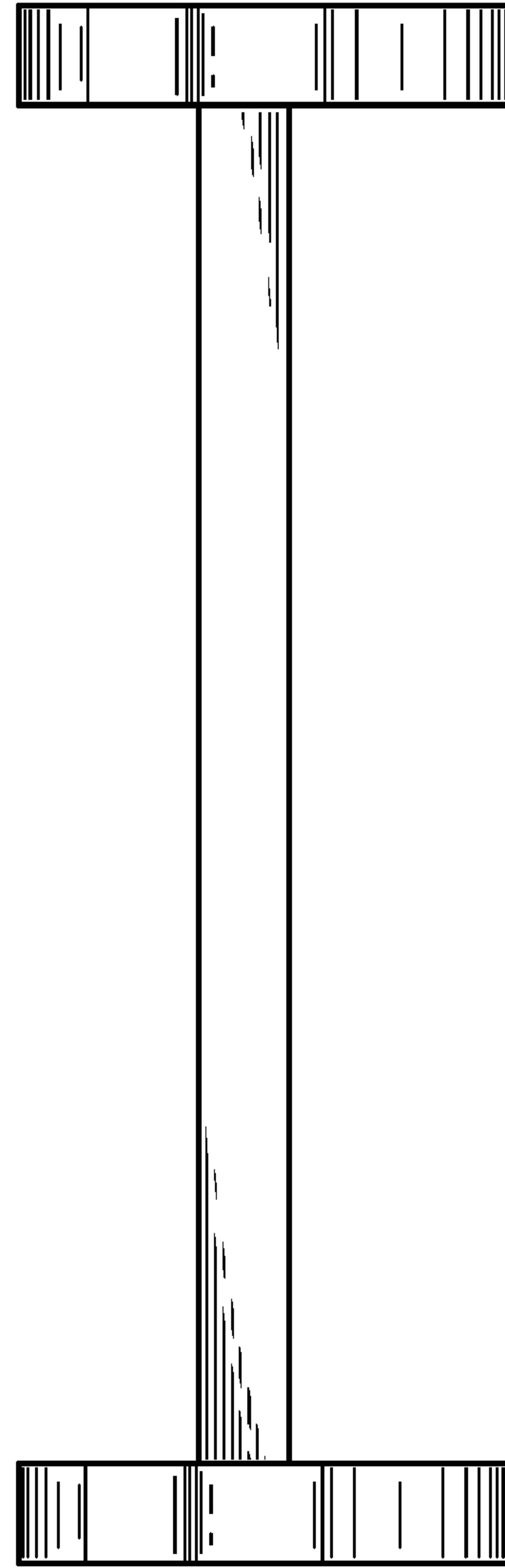


Fig. 3

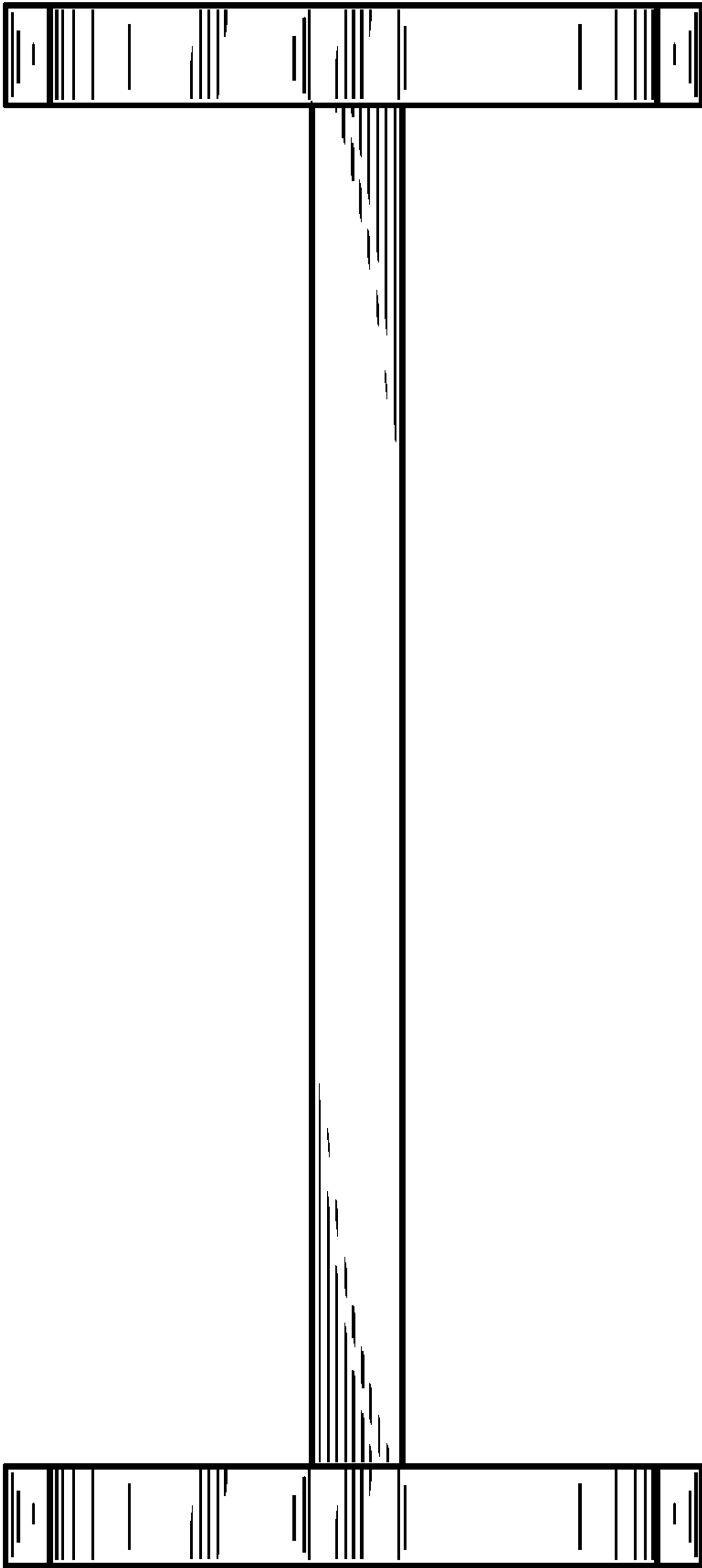


Fig. 4

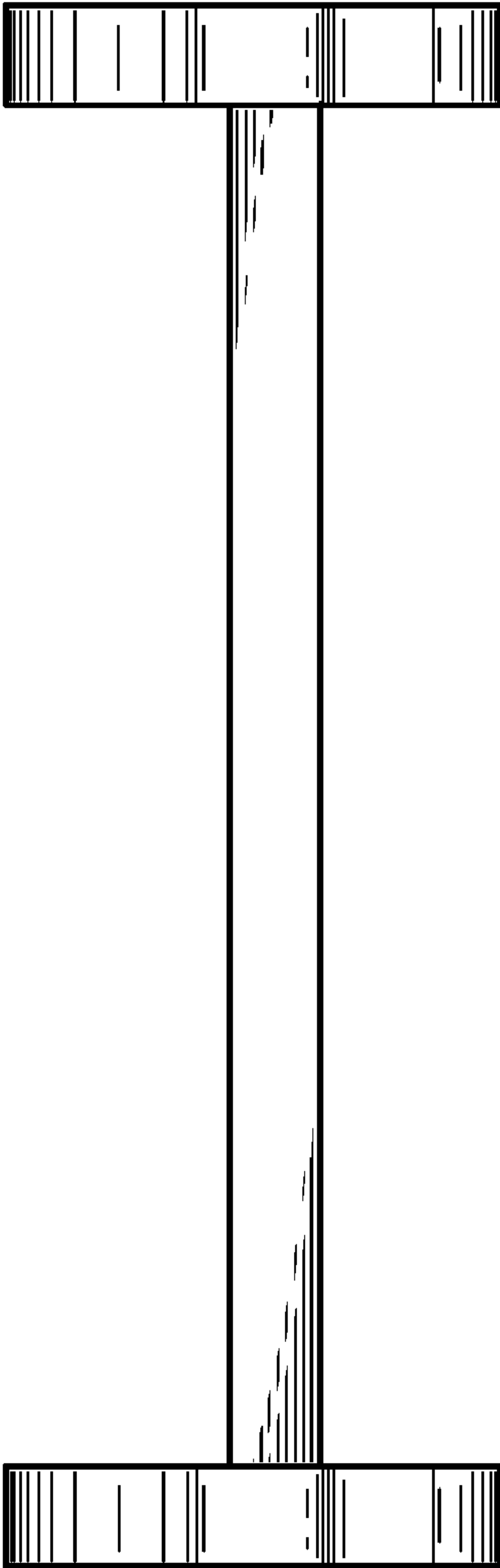


Fig. 5

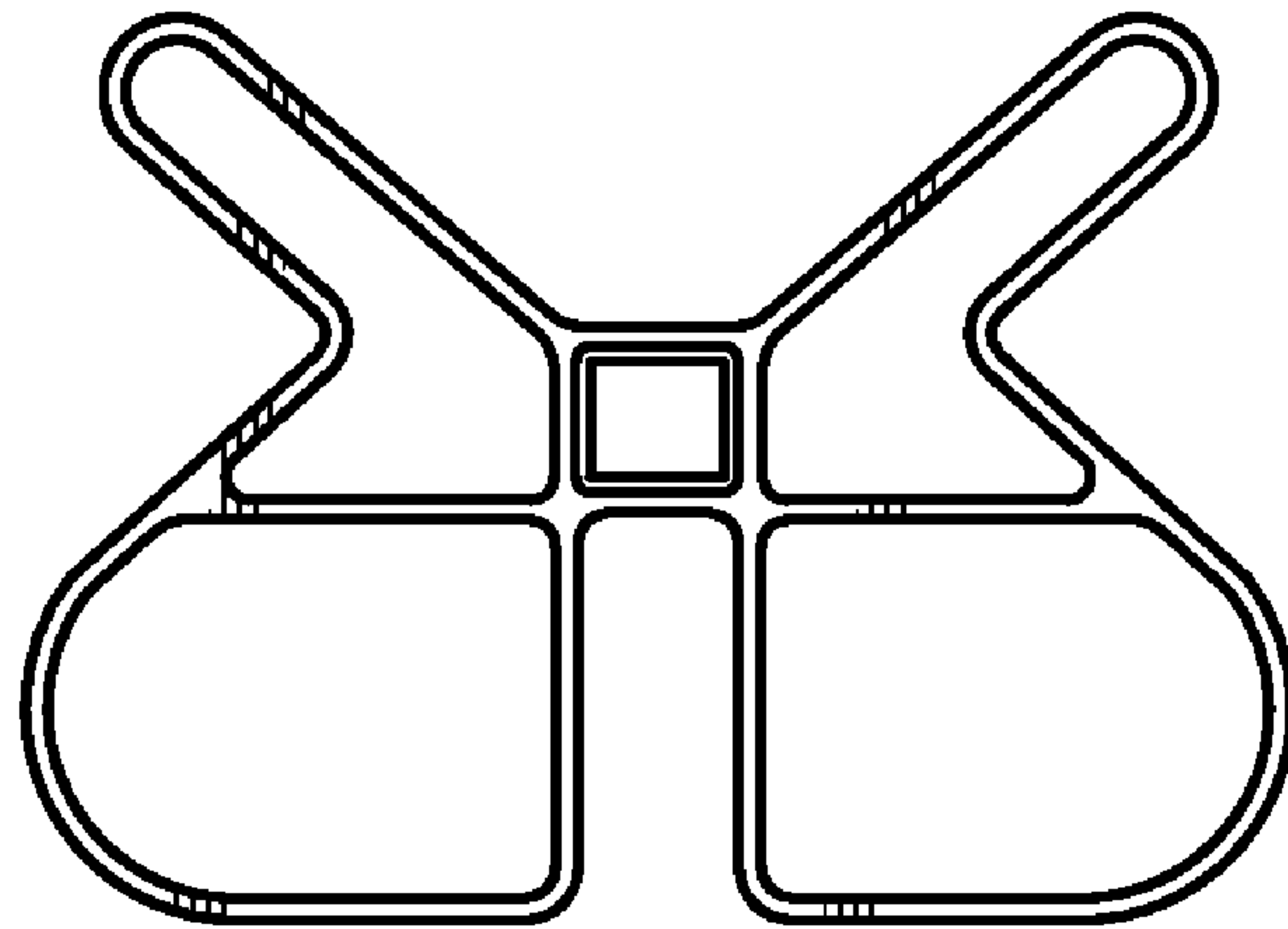


Fig. 6

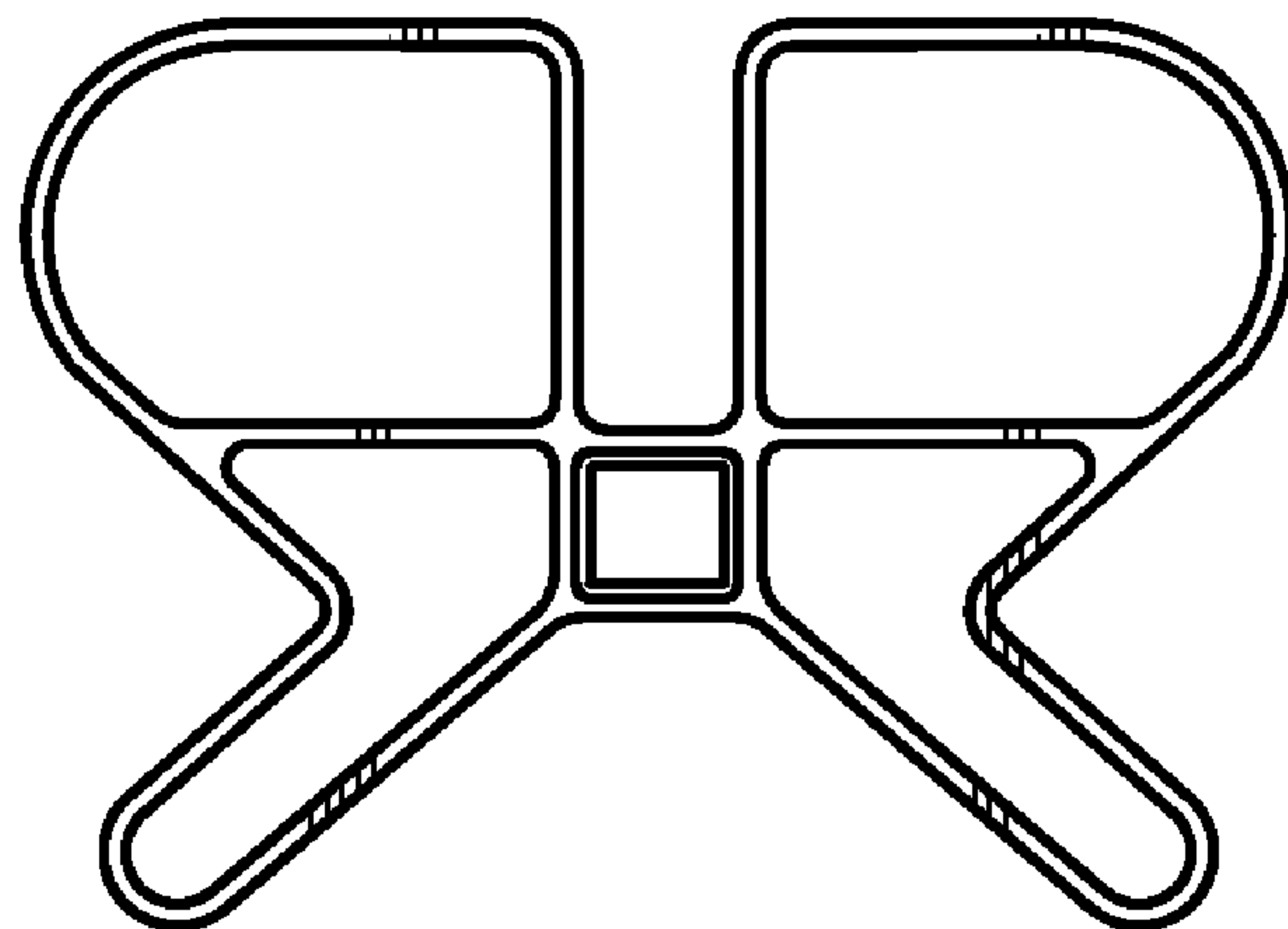


Fig. 7