



(12) **United States Design Patent**
Cutler

(10) **Patent No.:** **US D590,067 S**
(45) **Date of Patent:** **** Apr. 7, 2009**

(54) **CANOPY SYSTEM**

(76) Inventor: **Daniel Cutler**, 10c Chemin des Bois,
Veyrier, Geneva (CH) 1255

(**) Term: **14 Years**

(21) Appl. No.: **29/300,563**

(22) Filed: **Apr. 10, 2008**

Related U.S. Application Data

(62) Division of application No. 29/270,563, filed on Dec.
28, 2006, now Pat. No. Des. 567,963.

(30) **Foreign Application Priority Data**

Jun. 28, 2006 (EM) 556063-001
Jun. 28, 2006 (EM) 556063-002

(51) **LOC (9) Cl.** **25-02**

(52) **U.S. Cl.** **D25/56**

(58) **Field of Classification Search** D25/56;
160/22, 23.1, 24, 25, 26, 27, 28, 29, 38; 52/2.19,
52/73

See application file for complete search history.

(56) **References Cited**

U.S. PATENT DOCUMENTS

1,106,624 A 8/1914 Cadwallader et al.
3,918,510 A 11/1975 Hayward
4,733,683 A 3/1988 Pozzi
4,862,940 A 9/1989 Atchison
5,400,813 A 3/1995 Swan, Jr.

5,407,007 A * 4/1995 Lowrey 160/22
D412,993 S 8/1999 Chipman et al.
6,315,025 B1 11/2001 Mabie
6,363,664 B1 4/2002 Brutsaert
D459,482 S * 6/2002 Kettle D25/56

FOREIGN PATENT DOCUMENTS

EP 0 567 030 B1 10/1993
WO WO 2004/011760 A1 2/2004

* cited by examiner

Primary Examiner—Doris Clark

(74) *Attorney, Agent, or Firm*—Bacon & Thomas, PLLC

(57) **CLAIM**

The ornamental design for a canopy system, as shown and described.

DESCRIPTION

FIG. 1 is an upper right perspective view of the canopy system in a fully-retracted state;

FIG. 2 shows the canopy system of FIG. 1 with both sides in a semi-deployed state;

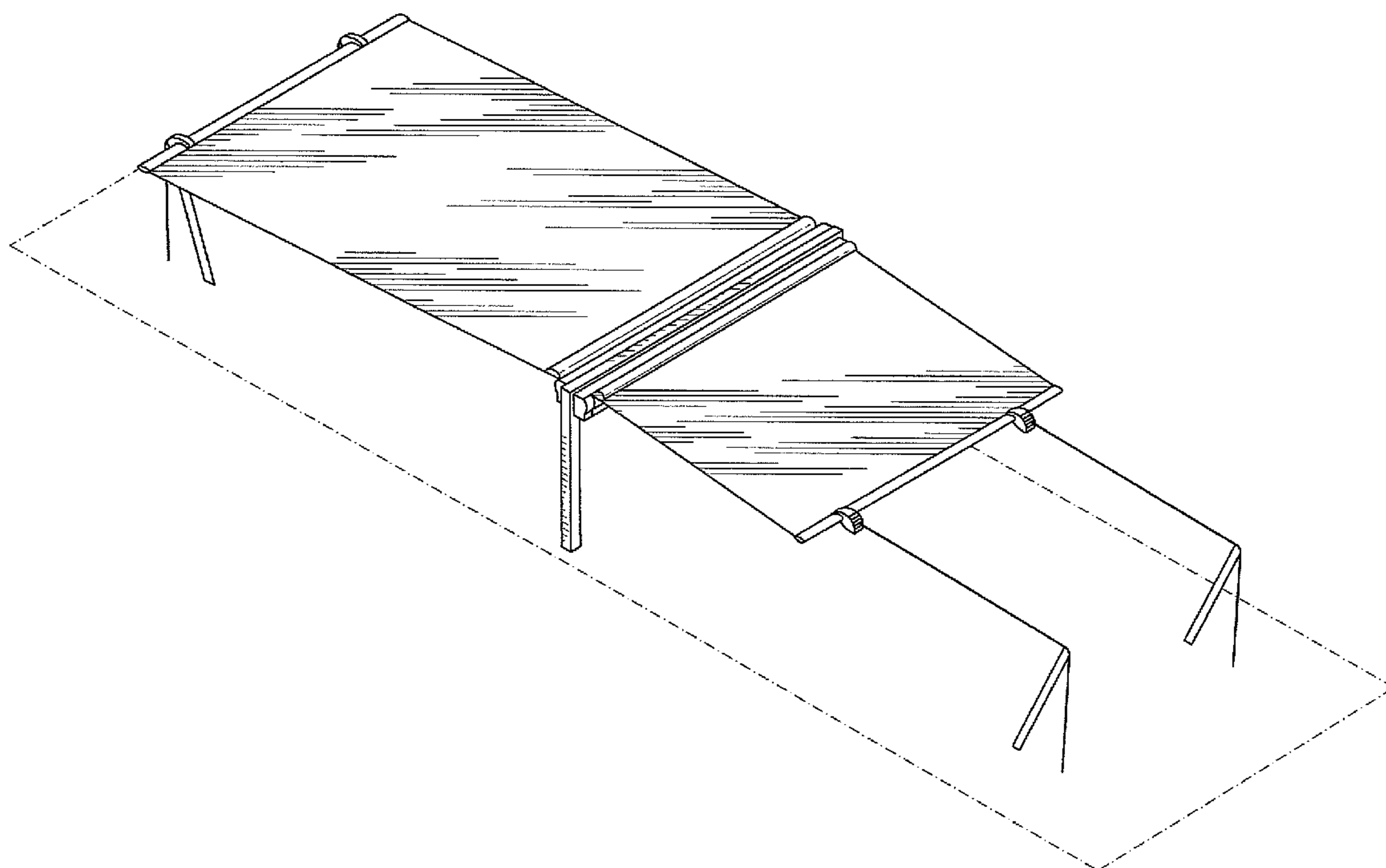
FIG. 3 shows the canopy system of FIG. 1 in a fully-deployed state;

FIG. 4 shows the canopy system of FIG. 1 with one side fully-deployed and one side fully-retracted; and,

FIG. 5 shows the canopy system of FIG. 1 with one side fully-deployed and one side semi-deployed.

The broken lines are for illustrative purposes only and form no part of the claimed design.

1 Claim, 5 Drawing Sheets



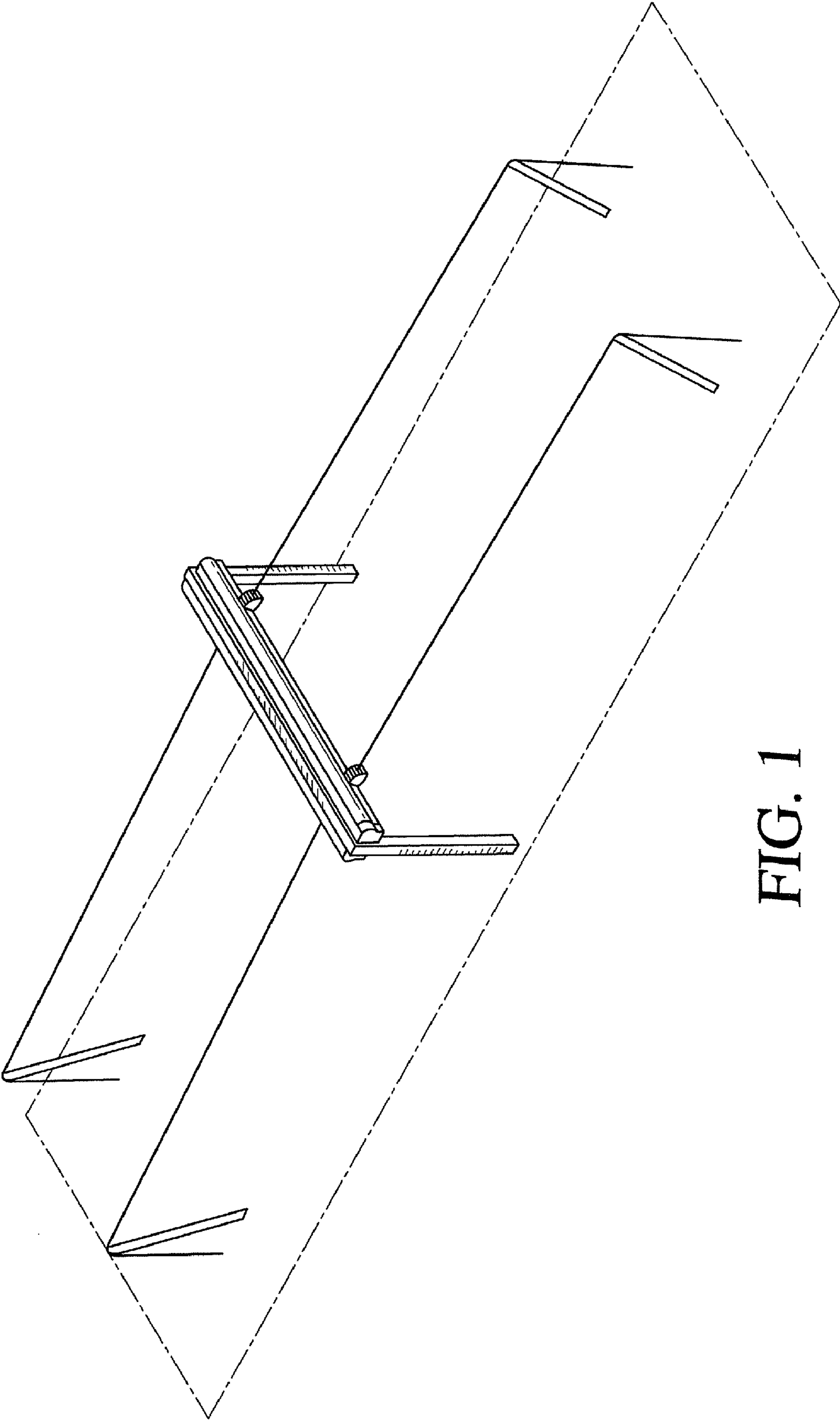


FIG. 1

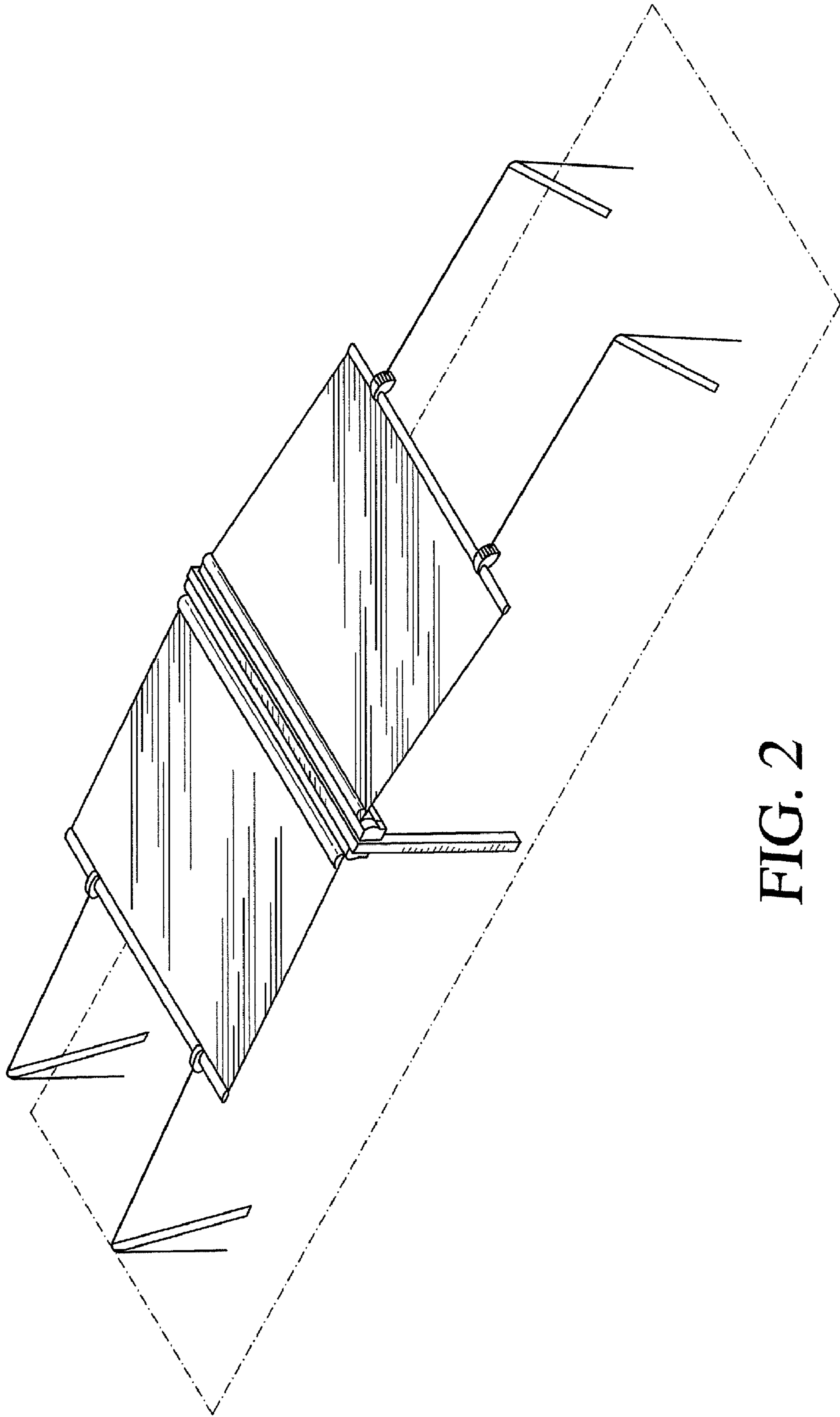


FIG. 2

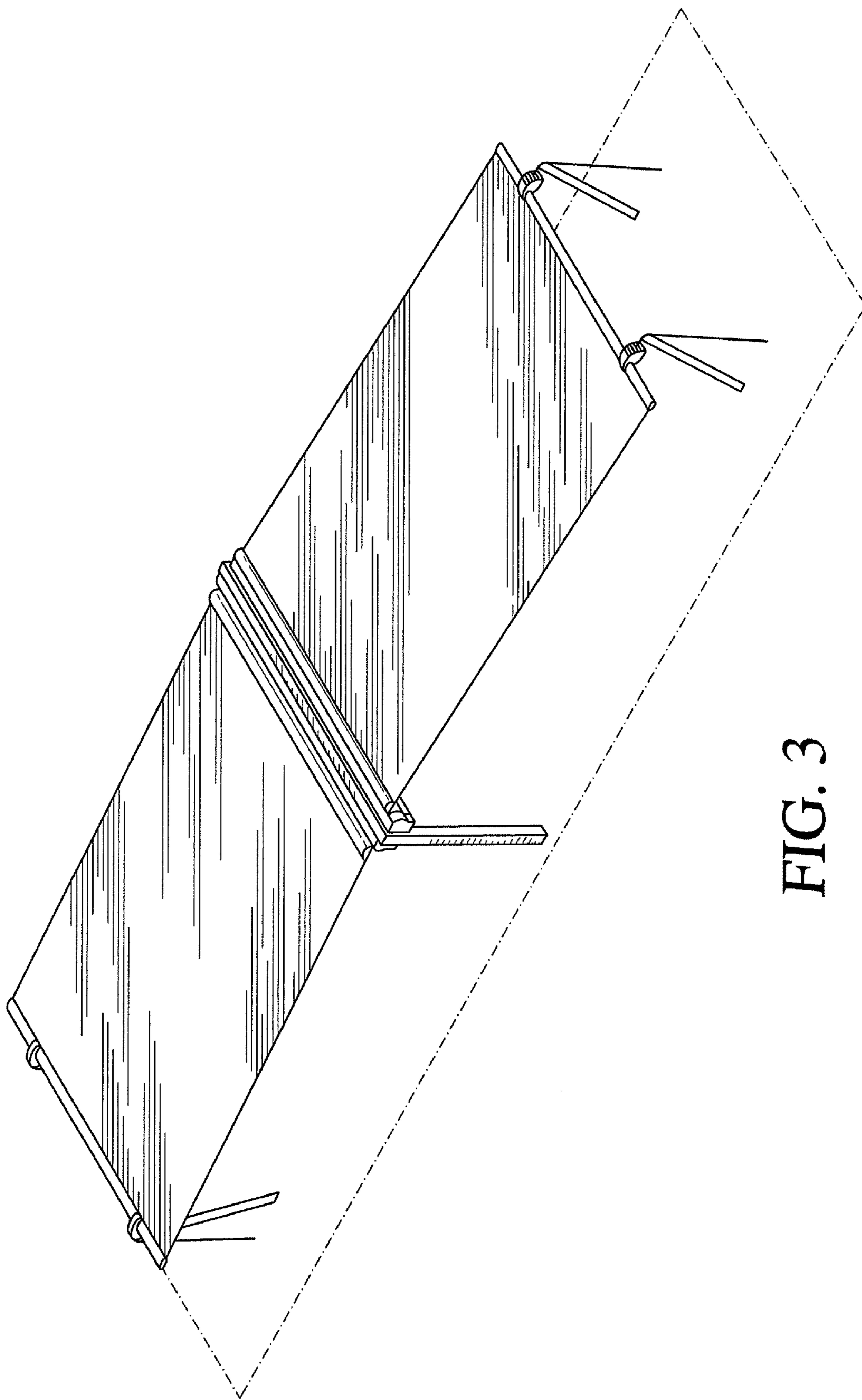


FIG. 3

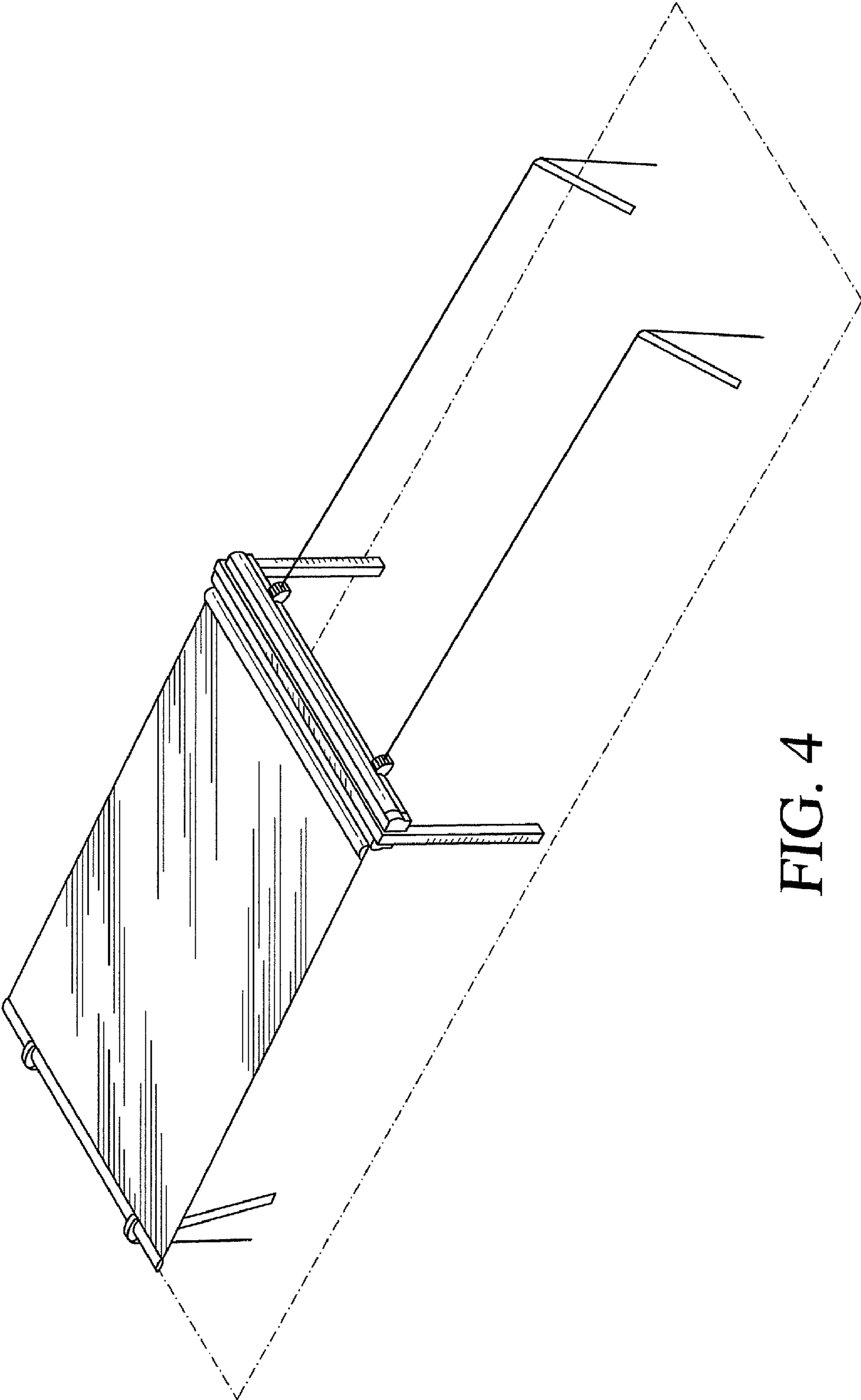


FIG. 4

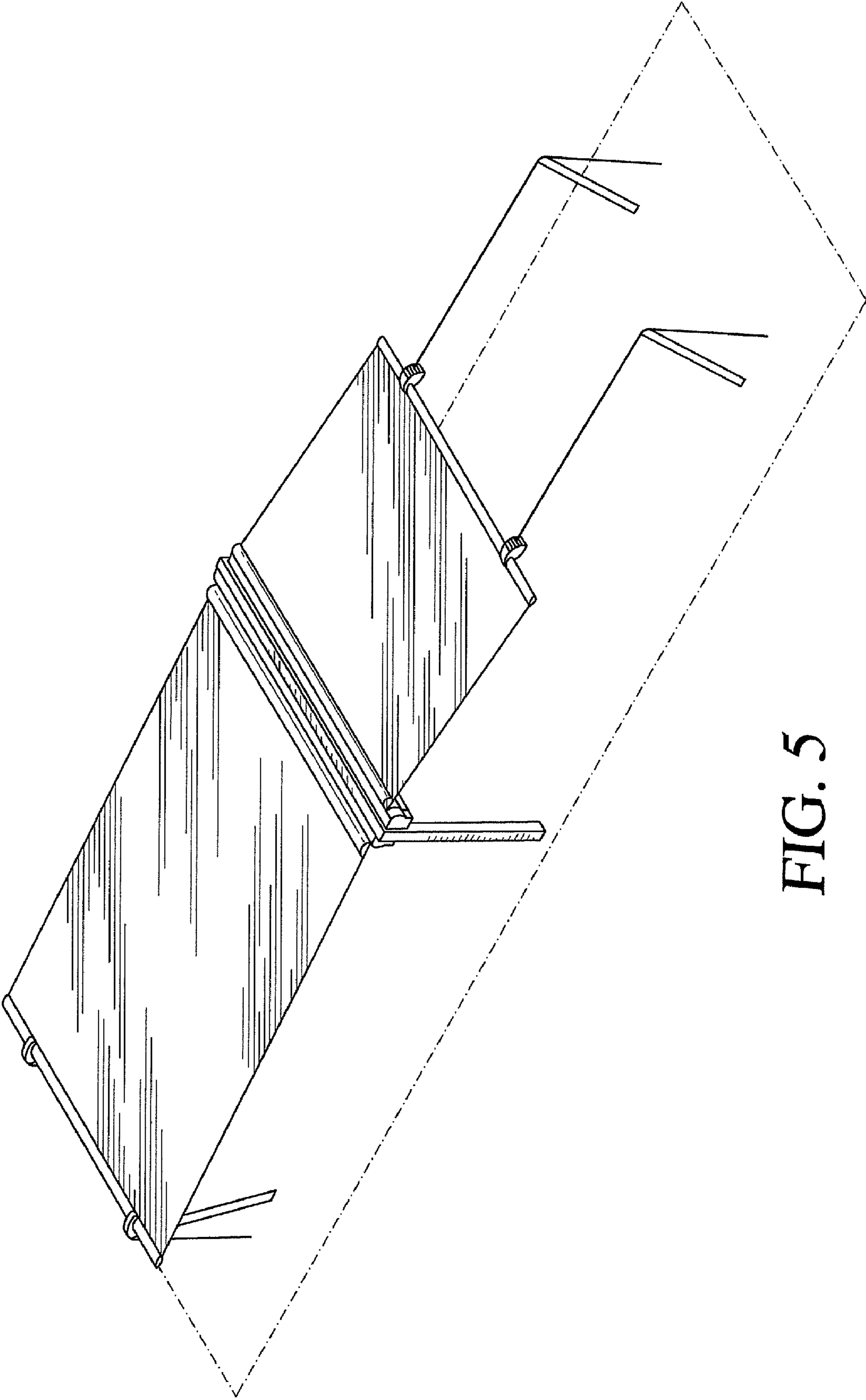


FIG. 5