



US00D590065S

(12) **United States Design Patent**  
**Yuyama et al.**

(10) **Patent No.:** **US D590,065 S**  
(45) **Date of Patent:** **\*\* Apr. 7, 2009**

(54) **ELECTRIC MASSAGER**

(75) Inventors: **Keiji Yuyama**, Himeji (JP); **Noriyuki Mori**, Kakogawa (JP)

(73) Assignee: **Sanyo Electric Co., Ltd.**, Osaka (JP)

(\*\*) Term: **14 Years**

(21) Appl. No.: **29/285,811**

(22) Filed: **Apr. 11, 2007**

(30) **Foreign Application Priority Data**

Oct. 17, 2006 (JP) ..... 2006-028052

(51) **LOC (9) Cl.** ..... **28-03**

(52) **U.S. Cl.** ..... **D24/212**

(58) **Field of Classification Search** ..... D24/200,  
D24/212, 213; 601/23, 33-35.46, 49.5, 56,  
601/57, 84-86, 93, 90, 97, 98, 101  
See application file for complete search history.

(56) **References Cited**

**U.S. PATENT DOCUMENTS**

5,107,822	A *	4/1992	Ohashi	.....	601/23
5,417,644	A *	5/1995	Lee	.....	601/98
D414,560	S *	9/1999	Higashi et al.	.....	D24/215
D477,415	S *	7/2003	Miyake et al.	.....	D24/212
D524,947	S *	7/2006	Gleason et al.	.....	D24/213
D535,402	S *	1/2007	Lifeng et al.	.....	D24/213
D535,751	S *	1/2007	Lifeng et al.	.....	D24/213
2004/0243029	A1 *	12/2004	Shimizu	.....	601/90
2005/0215927	A1 *	9/2005	Chang	.....	601/90
2007/0232968	A1 *	10/2007	Watanabe et al.	.....	601/90

\* cited by examiner

*Primary Examiner*—Cathron C Brooks

*Assistant Examiner*—Melanie Levy

(74) *Attorney, Agent, or Firm*—Eckert Seamans Cherin & Mellott, LLC; Kirk D. Houser, Esq.

(57) **CLAIM**

The ornamental design for electric massager, substantially as shown and described.

**DESCRIPTION**

FIG. 1 is a front perspective view of an electric massager showing our new design;

FIG. 2 is a perspective view thereof as seen from behind;

FIG. 3 is a front elevational view thereof;

FIG. 4 is a rear elevational view thereof;

FIG. 5 is a top plan view thereof;

FIG. 6 is a bottom plan view thereof;

FIG. 7 is a right side view thereof;

FIG. 8 is a left side view thereof; and,

FIG. 9 is a right side view thereof shown in a rearward inclined alternate position.

The massager comprises a pair of recessed portions for inserting the user's legs (portions including mainly from calves to feet) to be massaged. The recessed portions are rockingly movable forward and rearward relative to a base assembly placed on the floor.

**1 Claim, 9 Drawing Sheets**

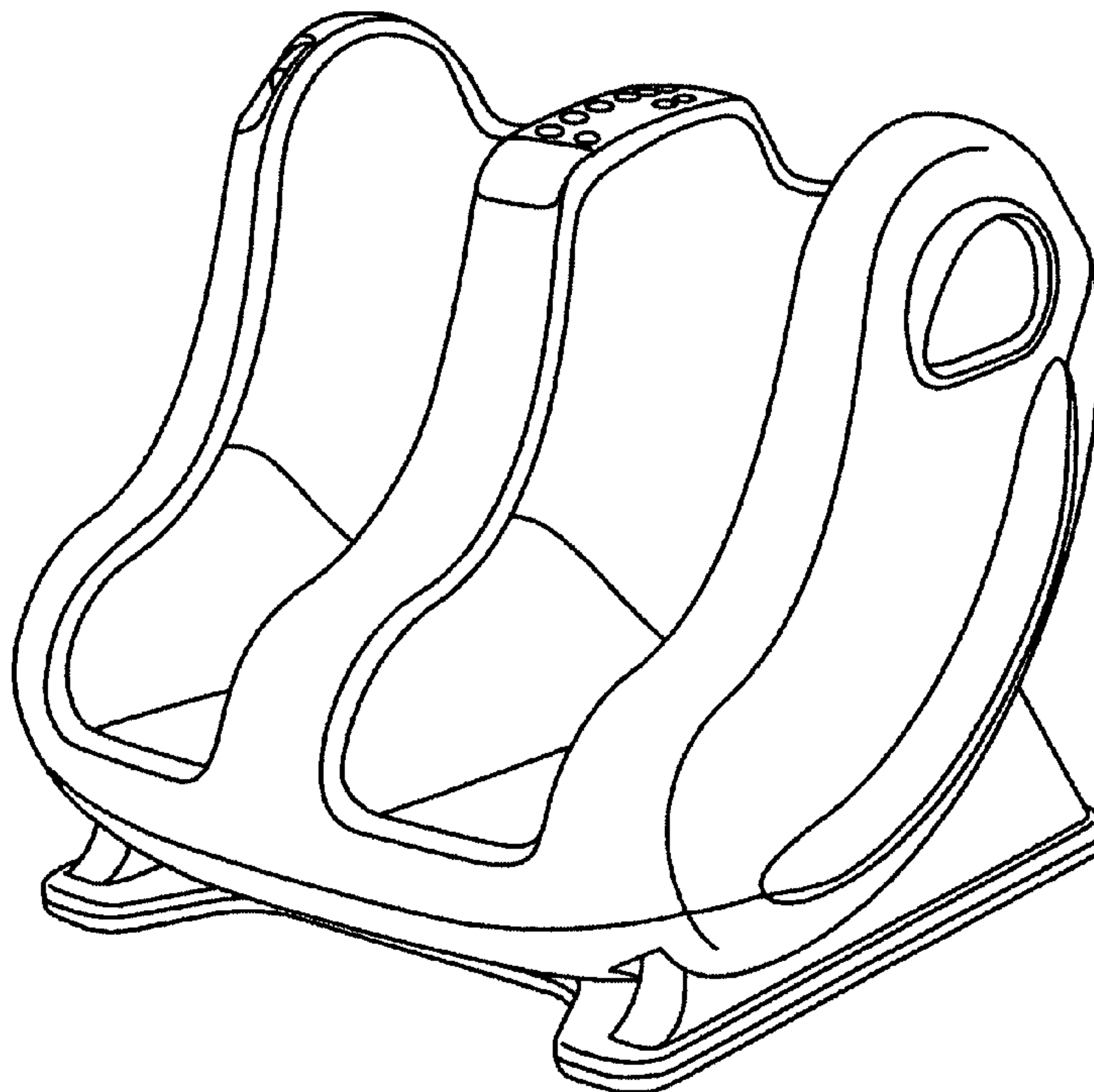


FIG. 1



FIG. 2

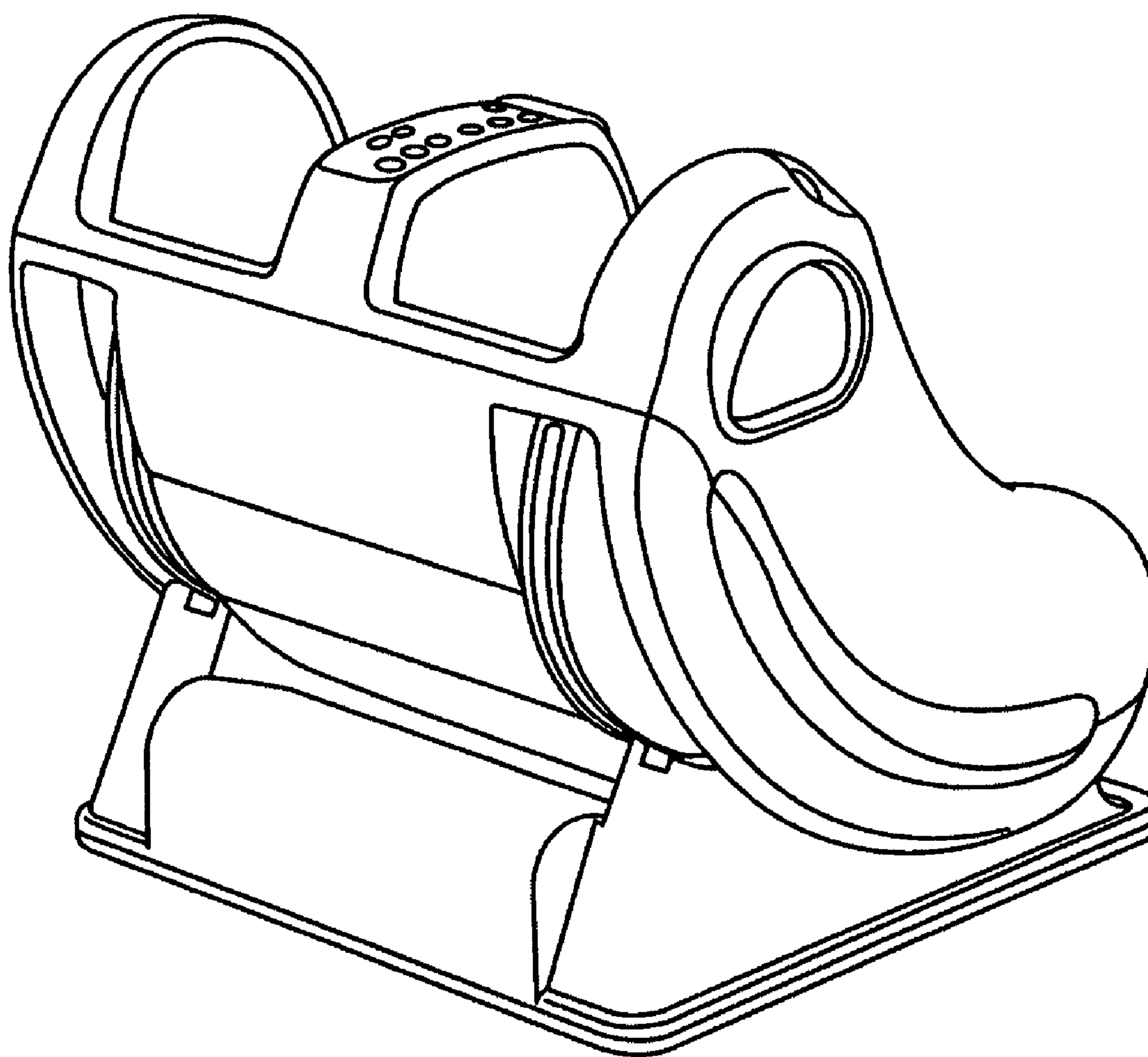


FIG. 3

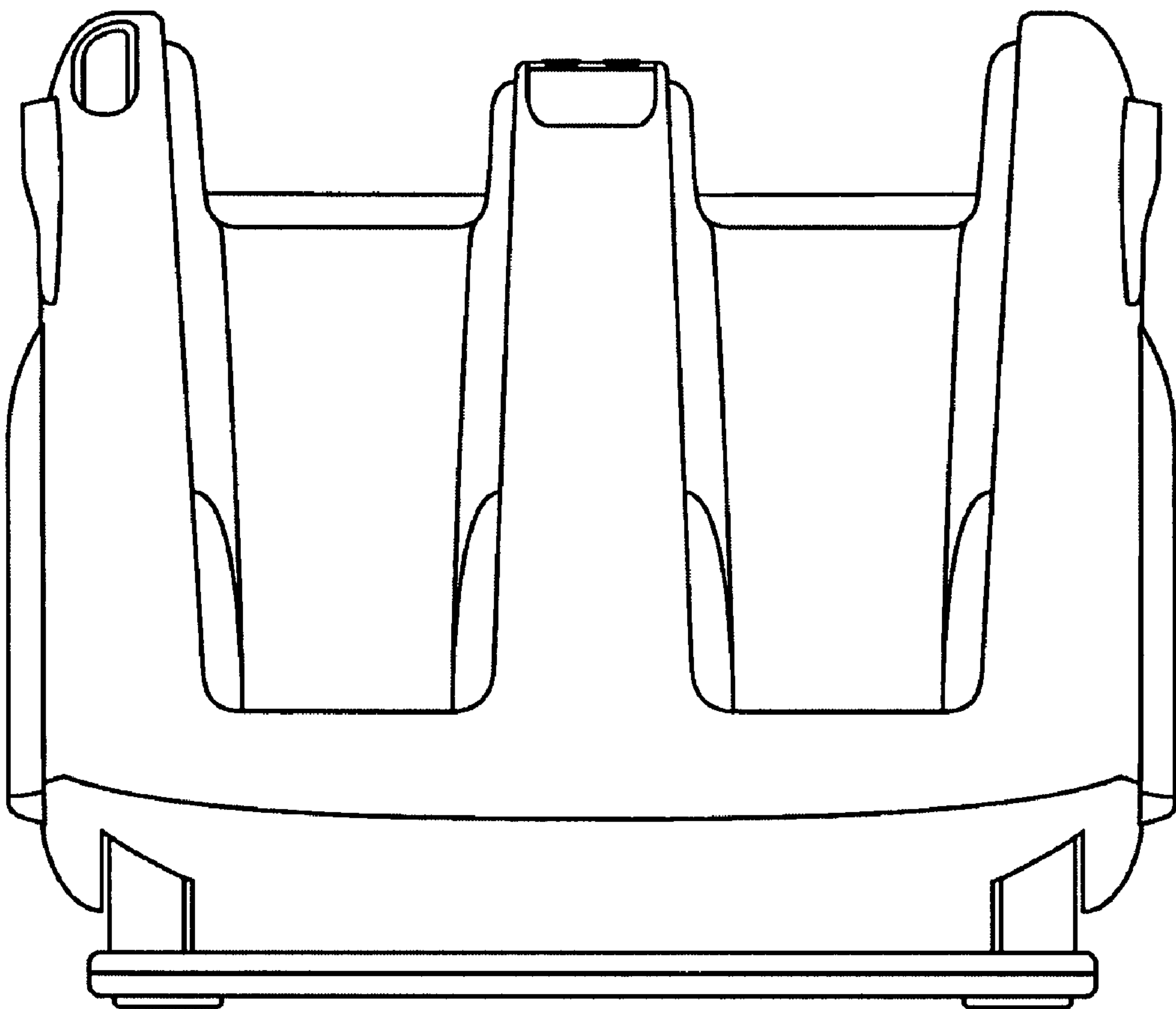


FIG. 4

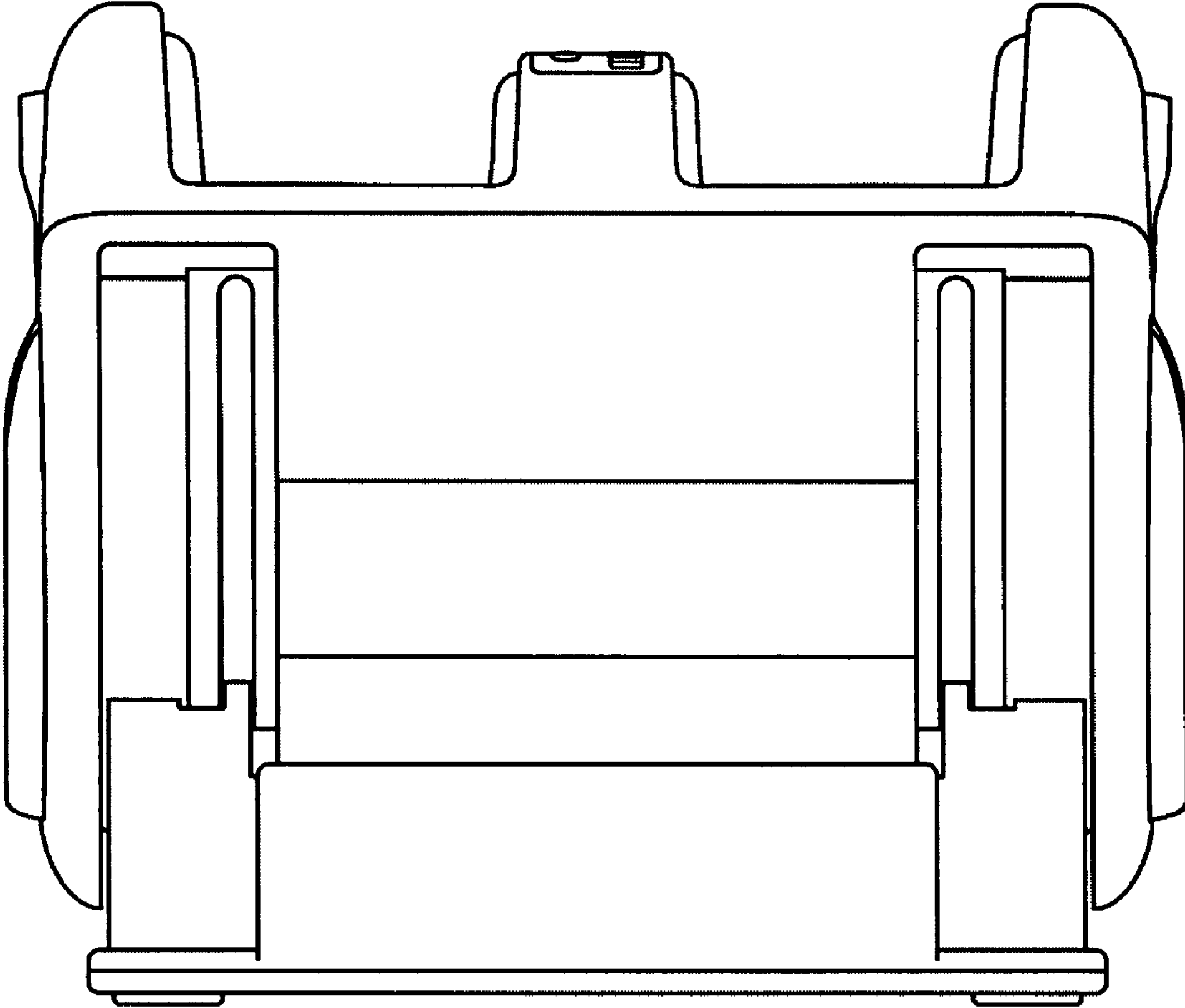


FIG. 5

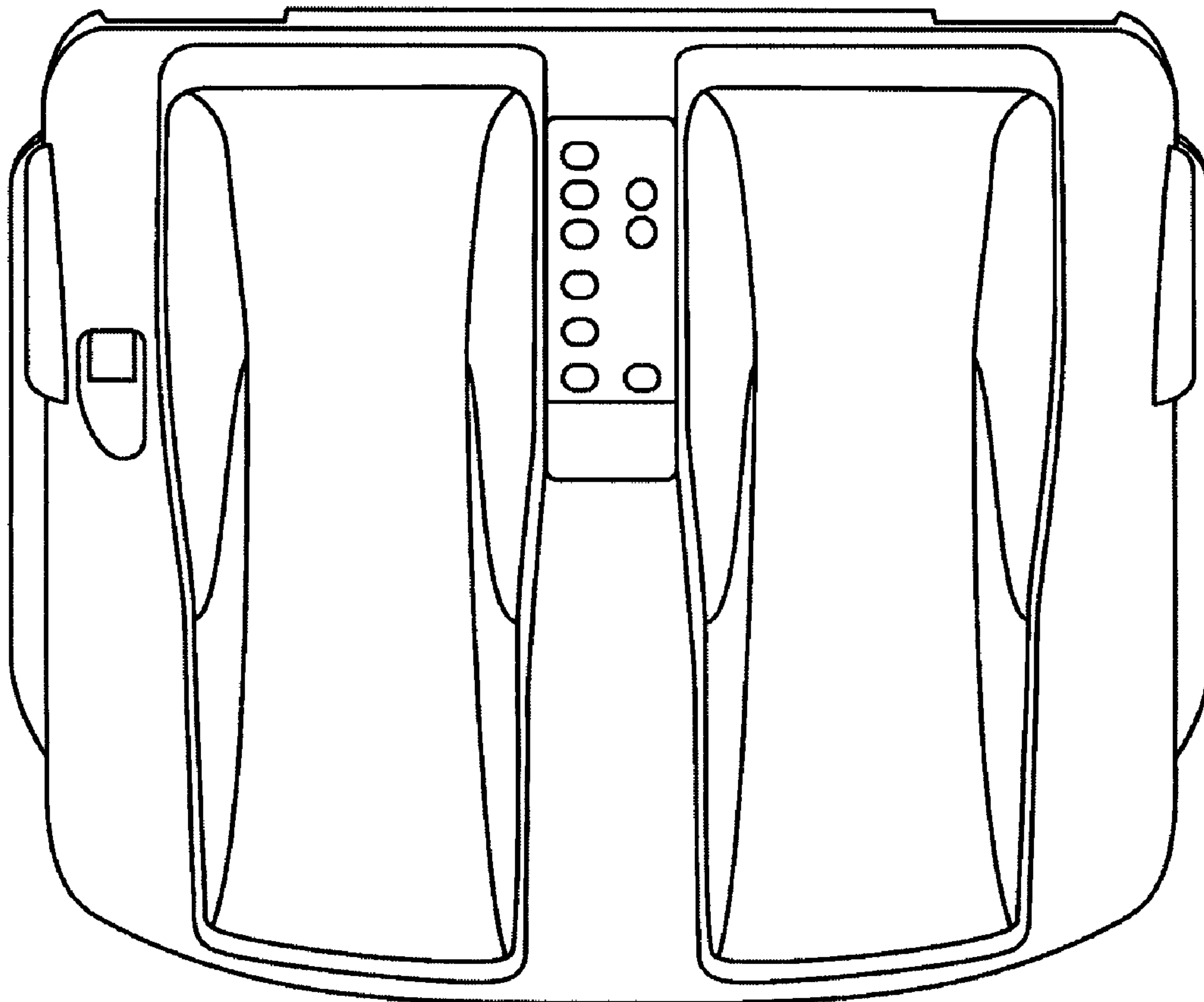


FIG. 6

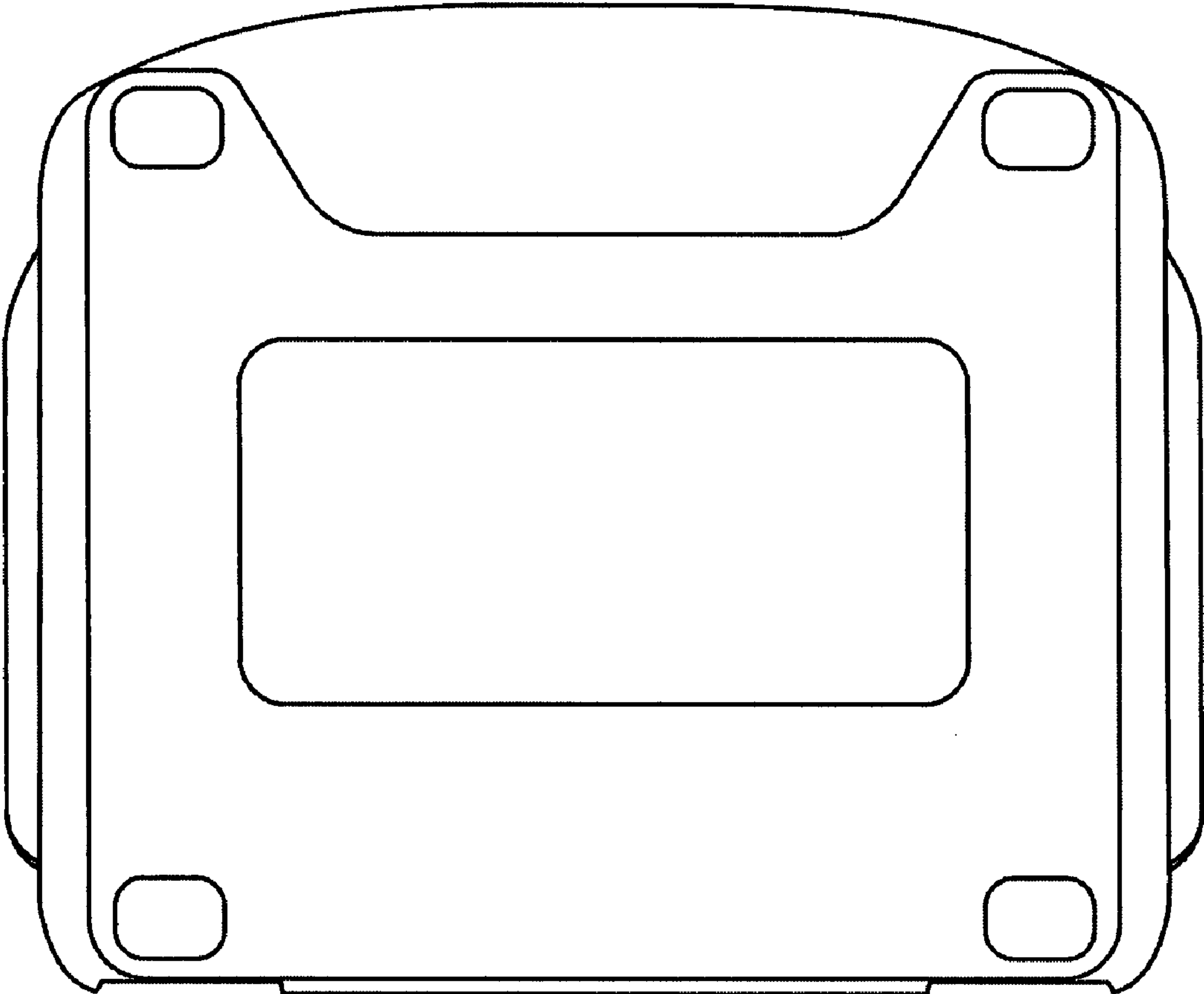




FIG. 7

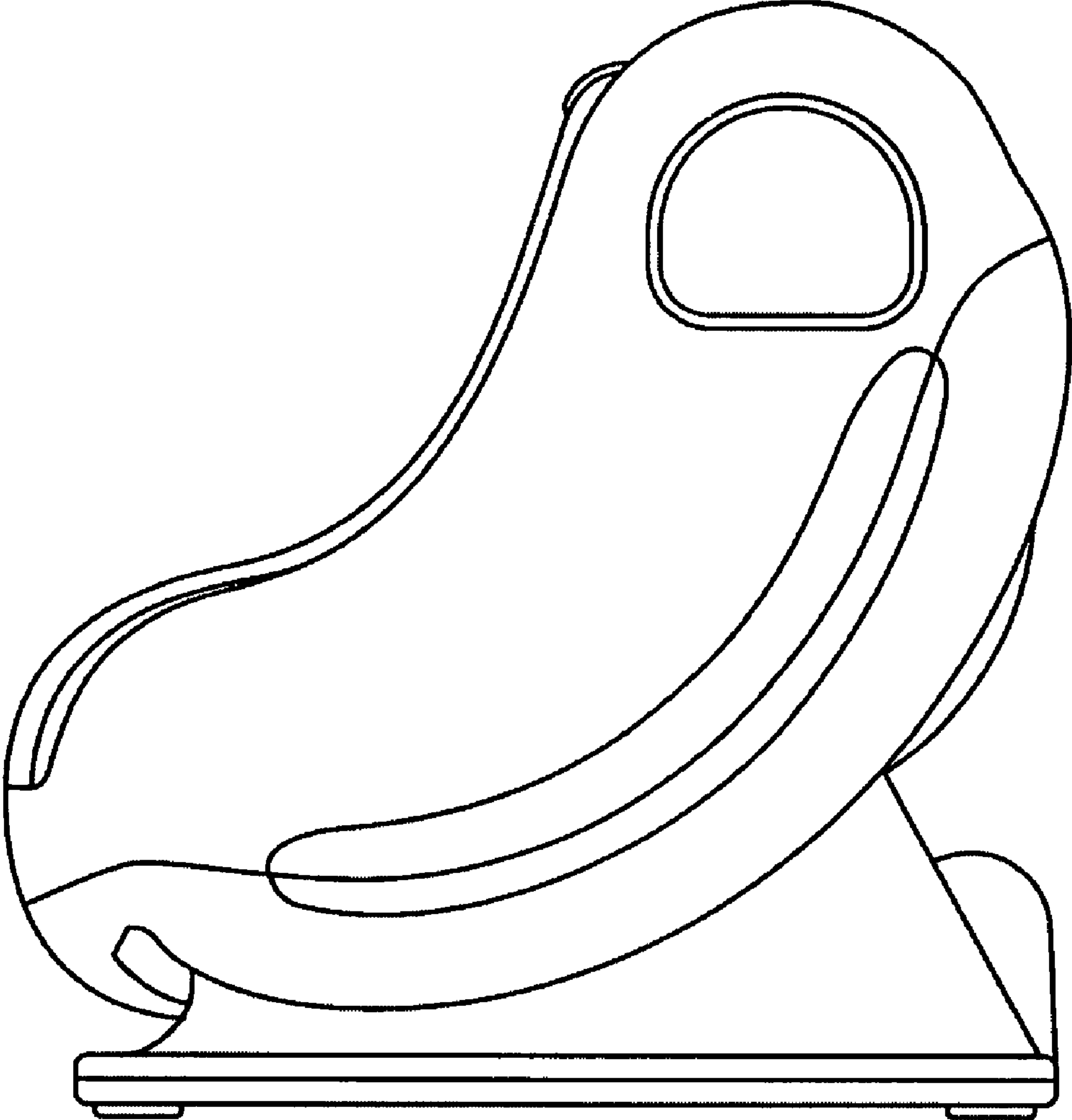




FIG. 8

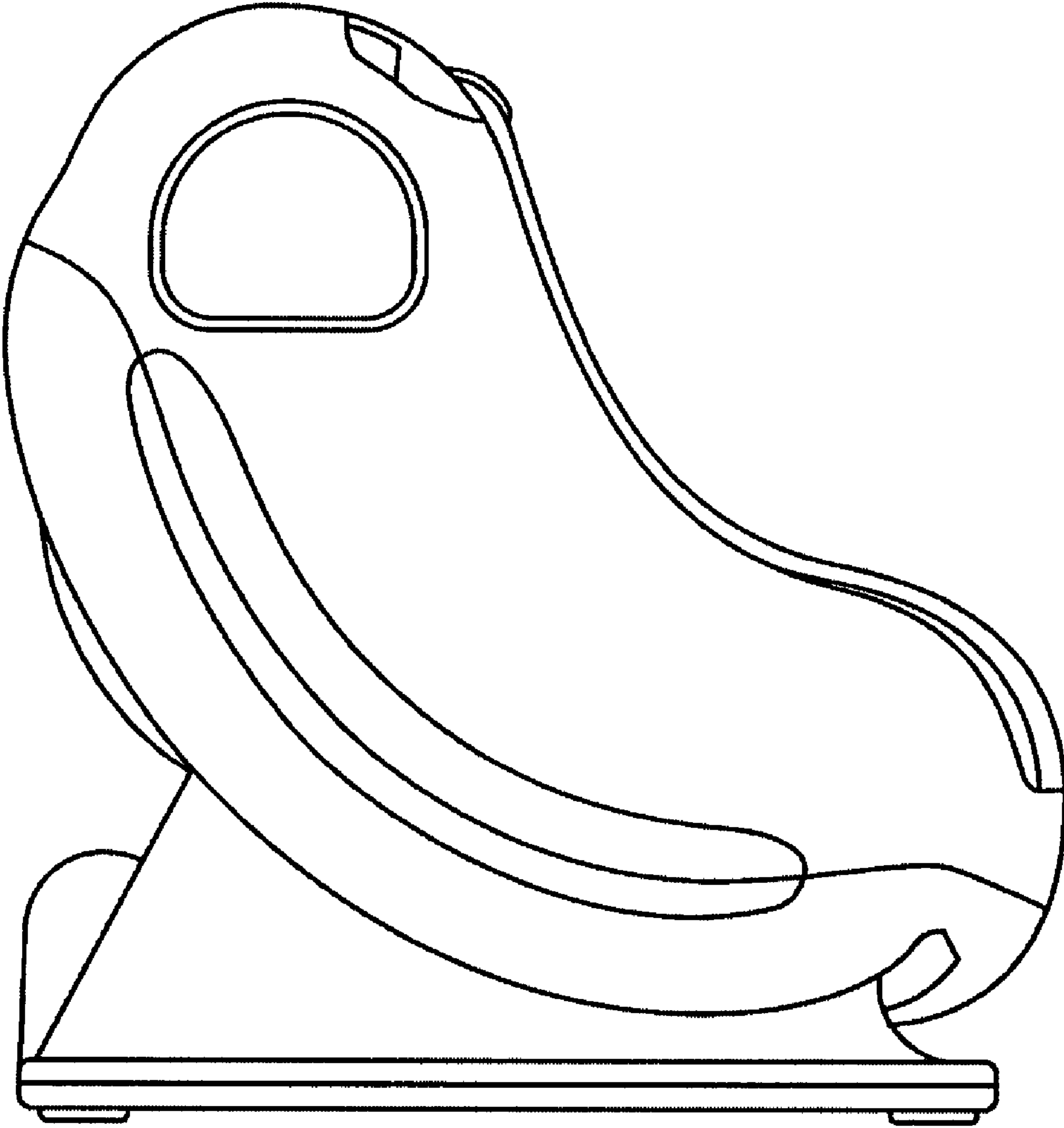


FIG. 9

