



US00D590064S

(12) **United States Design Patent**
Janisch et al.

(10) **Patent No.:** **US D590,064 S**

(45) **Date of Patent:** **** Apr. 7, 2009**

(54) **APPARATUS FOR THERMOTHERAPY AND COLD TREATMENT**

(75) Inventors: **Klaus Janisch**, Isny (DE); **Dieter Lenhardt**, Grafenau (DE)

(73) Assignee: **Hilotherm Holding AG**, Zug (CH)

(**) Term: **14 Years**

(21) Appl. No.: **29/284,366**

(22) Filed: **Sep. 6, 2007**

(30) **Foreign Application Priority Data**

Mar. 7, 2007 (EM) 000684394-0001

(51) **LOC (9) Cl.** **28-03**

(52) **U.S. Cl.** **D24/206**

(58) **Field of Classification Search** D24/200,
D24/206-208; 607/104, 108, 100, 115, 88,
607/89, 90, 95, 96; D23/332; 601/15, 1,
601/64

See application file for complete search history.

(56) **References Cited**

U.S. PATENT DOCUMENTS

D343,676 S * 1/1994 Lim D23/332

D384,159 S * 9/1997 Tsai D24/215
2005/0113890 A1 * 5/2005 Ritchie et al. 607/88
2008/0147148 A1 * 6/2008 Baldacchini 607/90

* cited by examiner

Primary Examiner—Cathron C Brooks

Assistant Examiner—Melanie Levy

(74) *Attorney, Agent, or Firm*—Browdy and Neimark, P.L.L.C.

(57) **CLAIM**

The ornamental design for an apparatus for thermotherapy and cold treatment, as shown.

DESCRIPTION

FIG. 1 is a perspective view of an apparatus for thermotherapy and cold treatment in accordance with the present design;

FIG. 2 is a top plan view thereof;

FIG. 3 is a bottom view thereof;

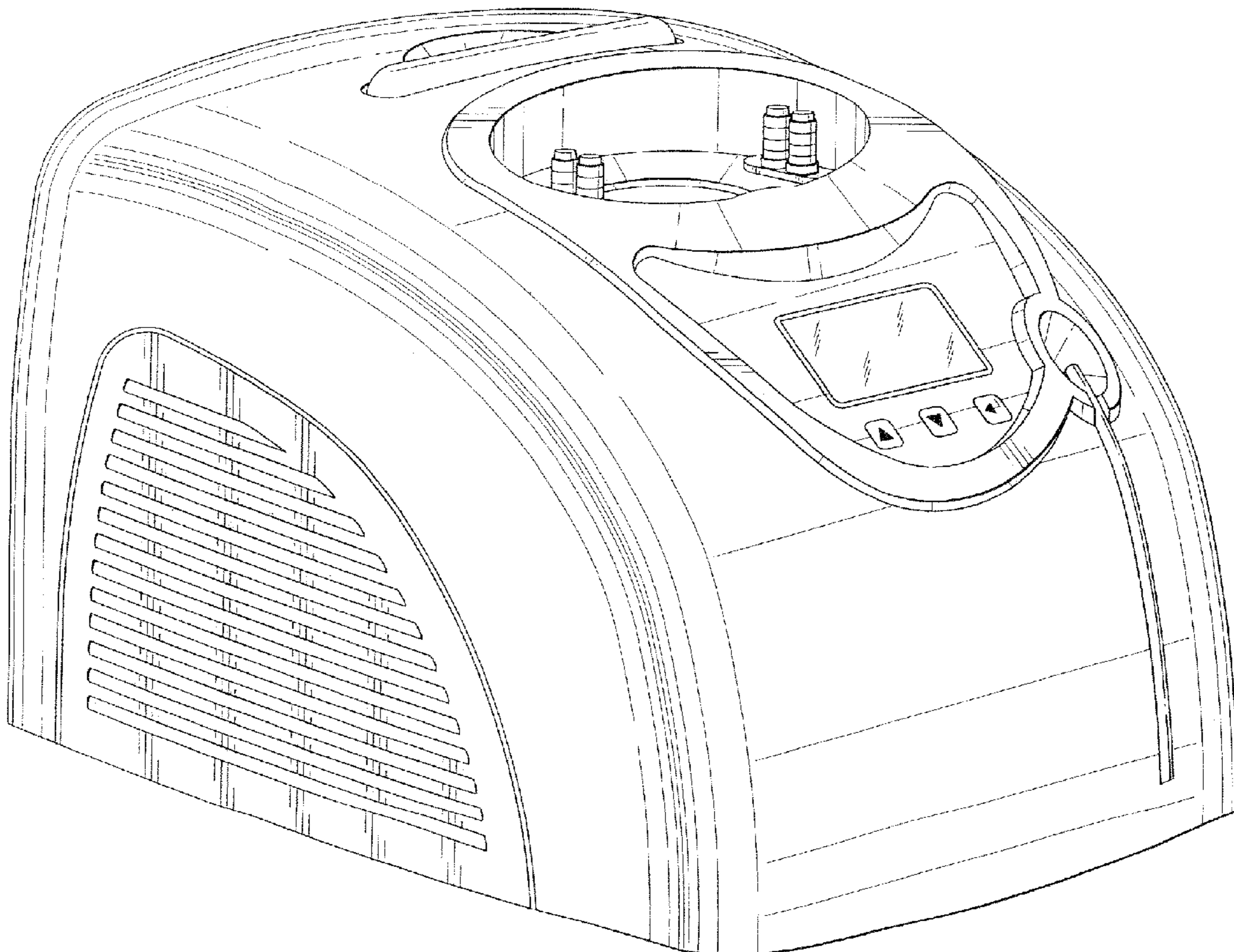
FIG. 4 is a front elevational view thereof;

FIG. 5 is a rear elevational view thereof;

FIG. 6 is a left side elevational view thereof; and,

FIG. 7 is a right side elevational view thereof.

1 Claim, 7 Drawing Sheets



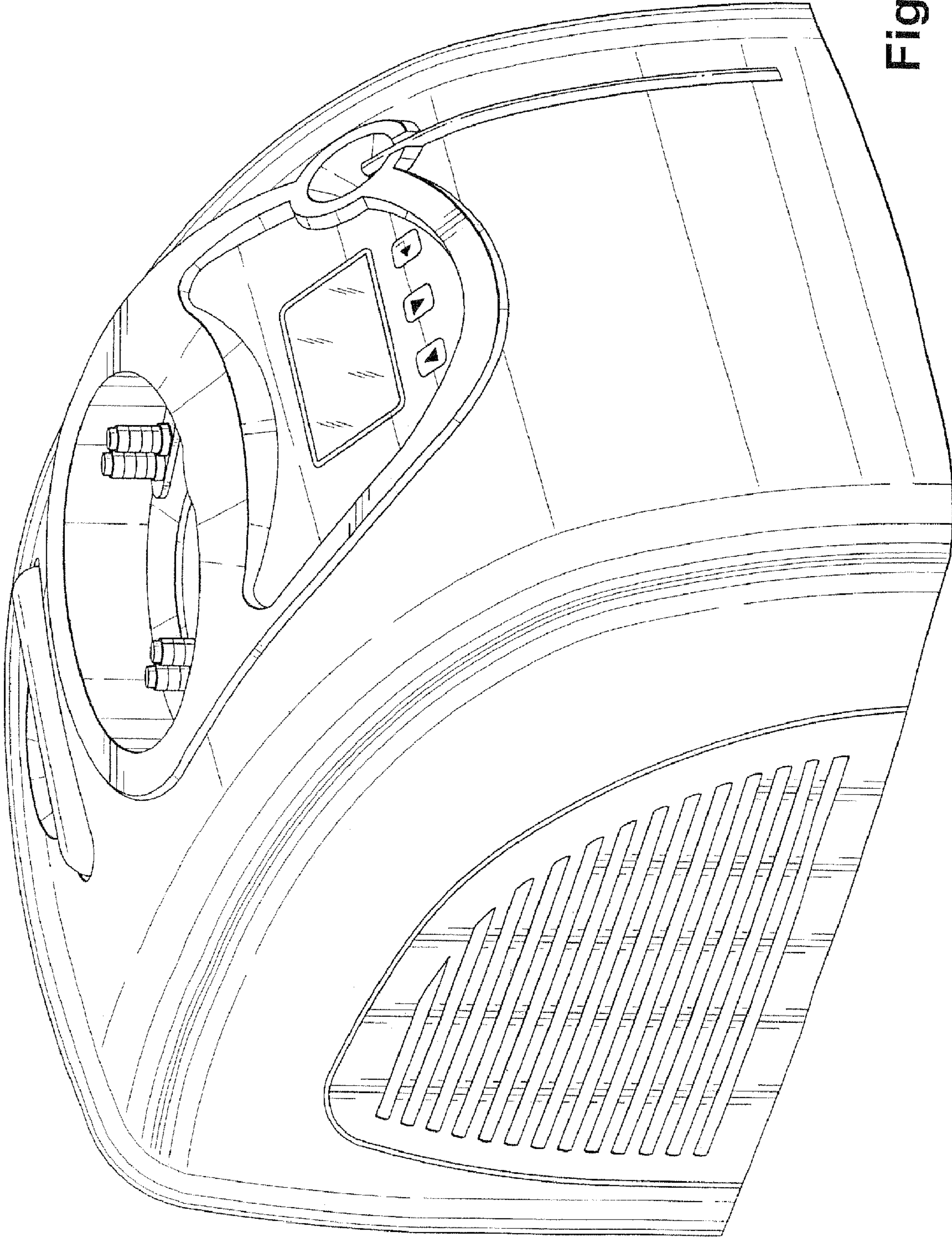


Fig. 1

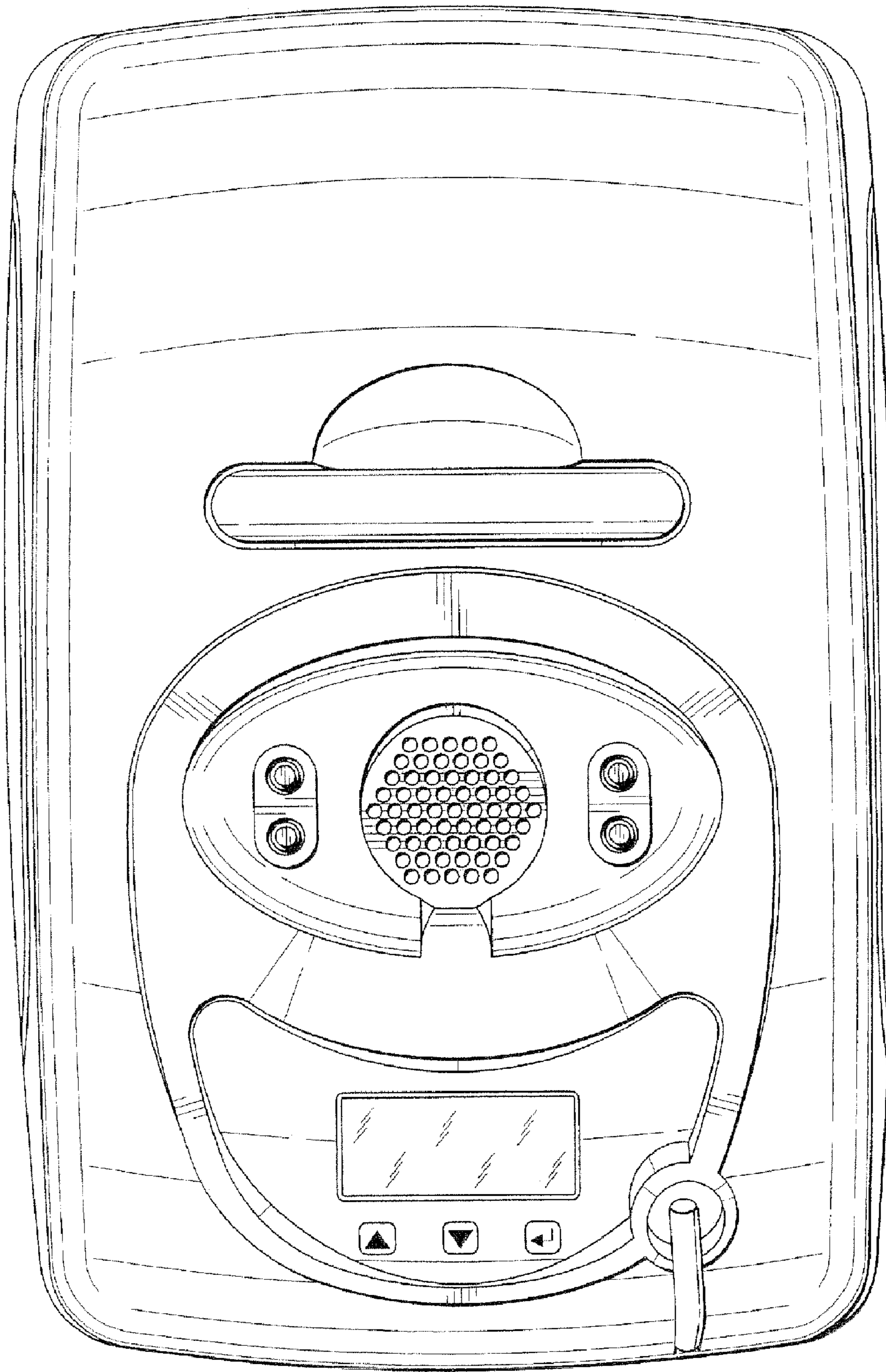


Fig. 2

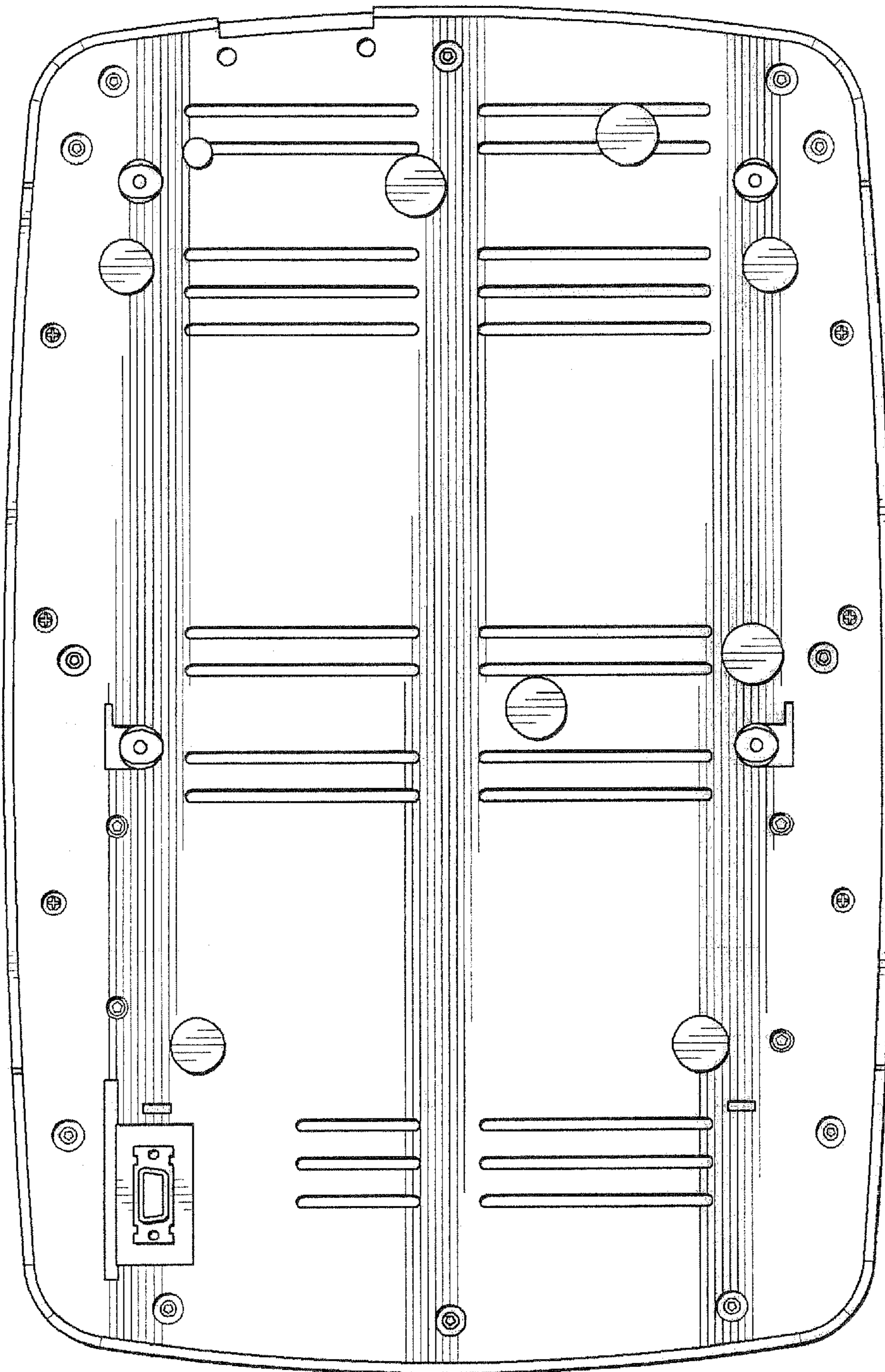


Fig. 3

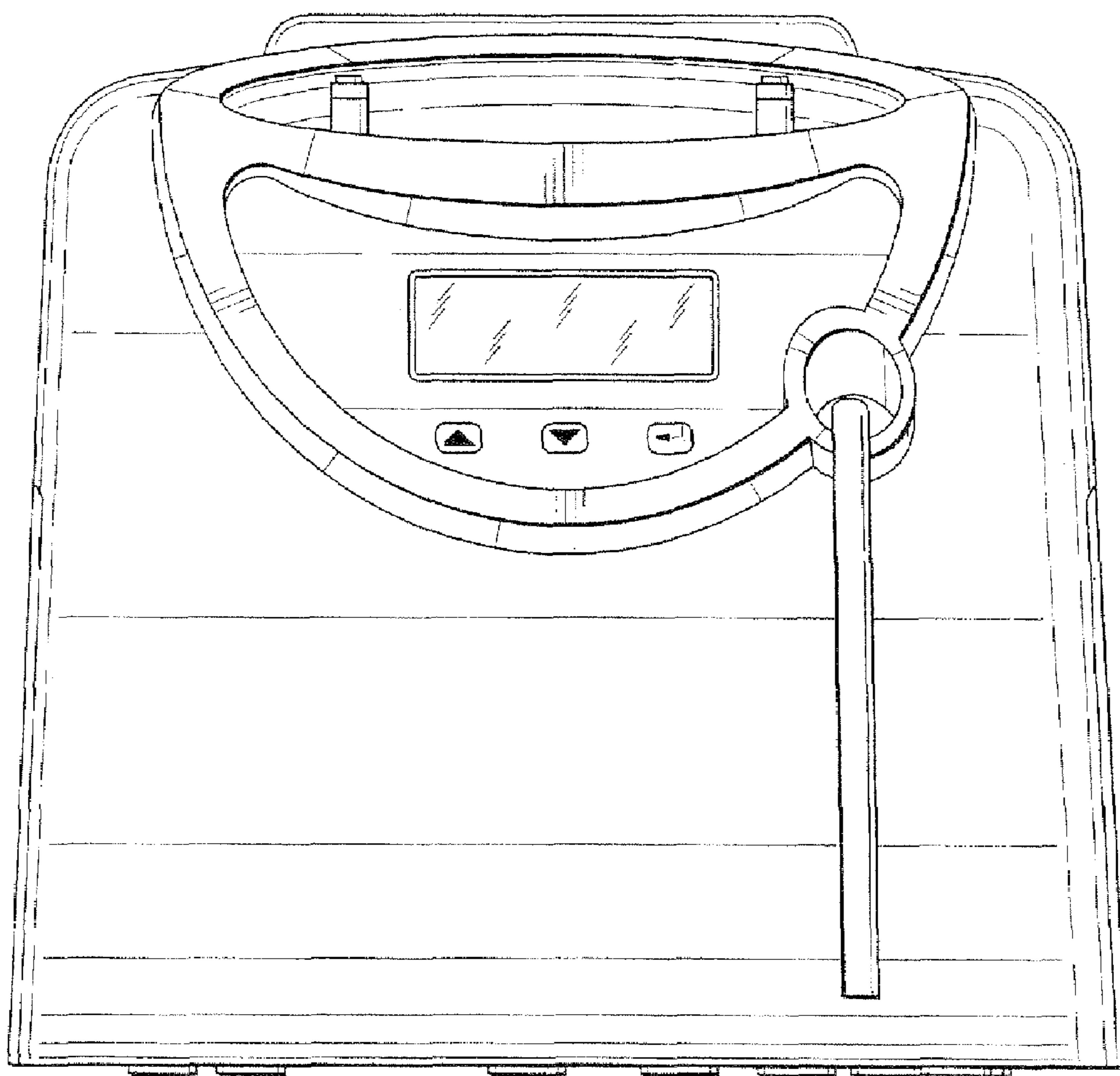


Fig. 4

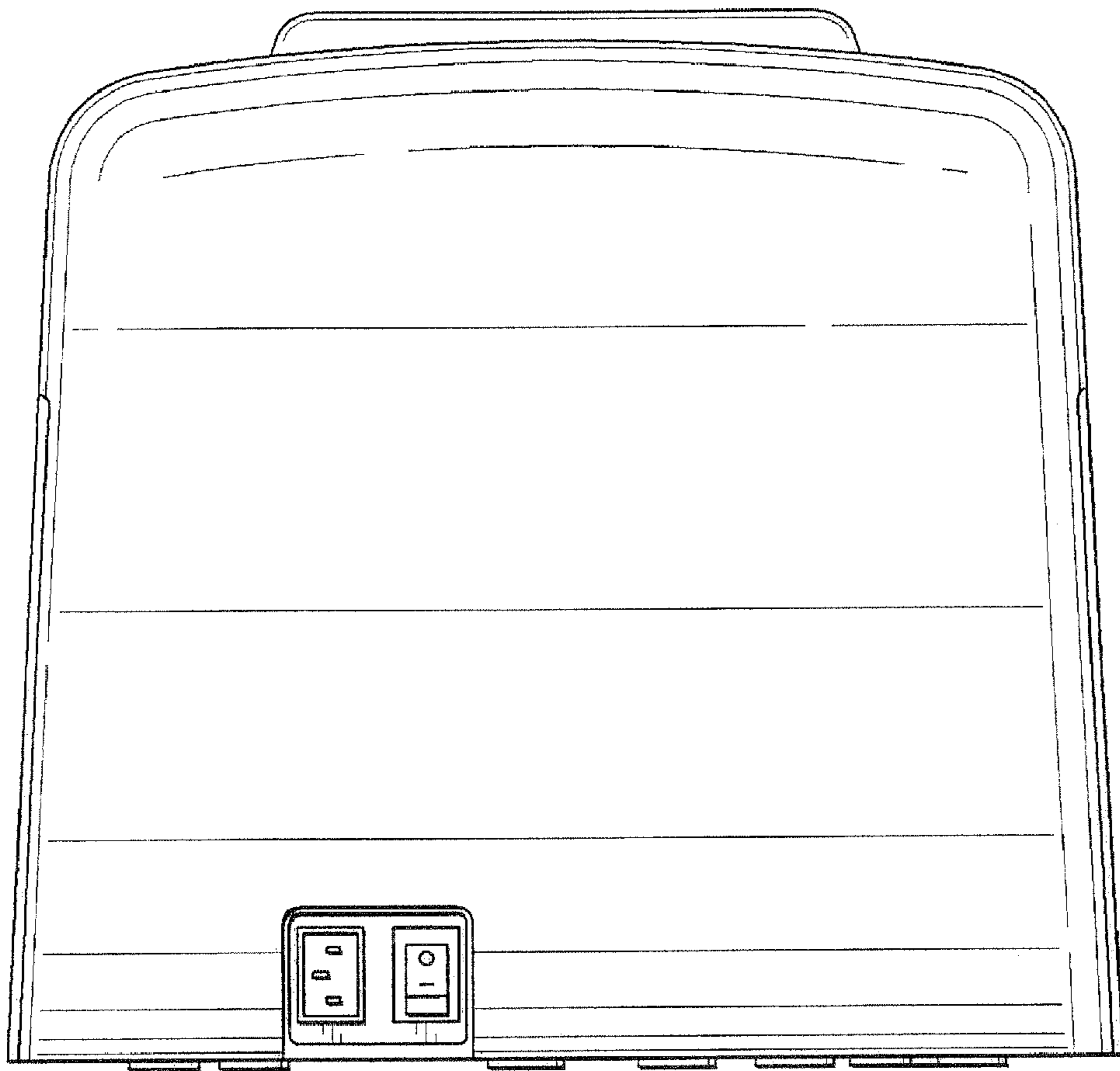


Fig. 5

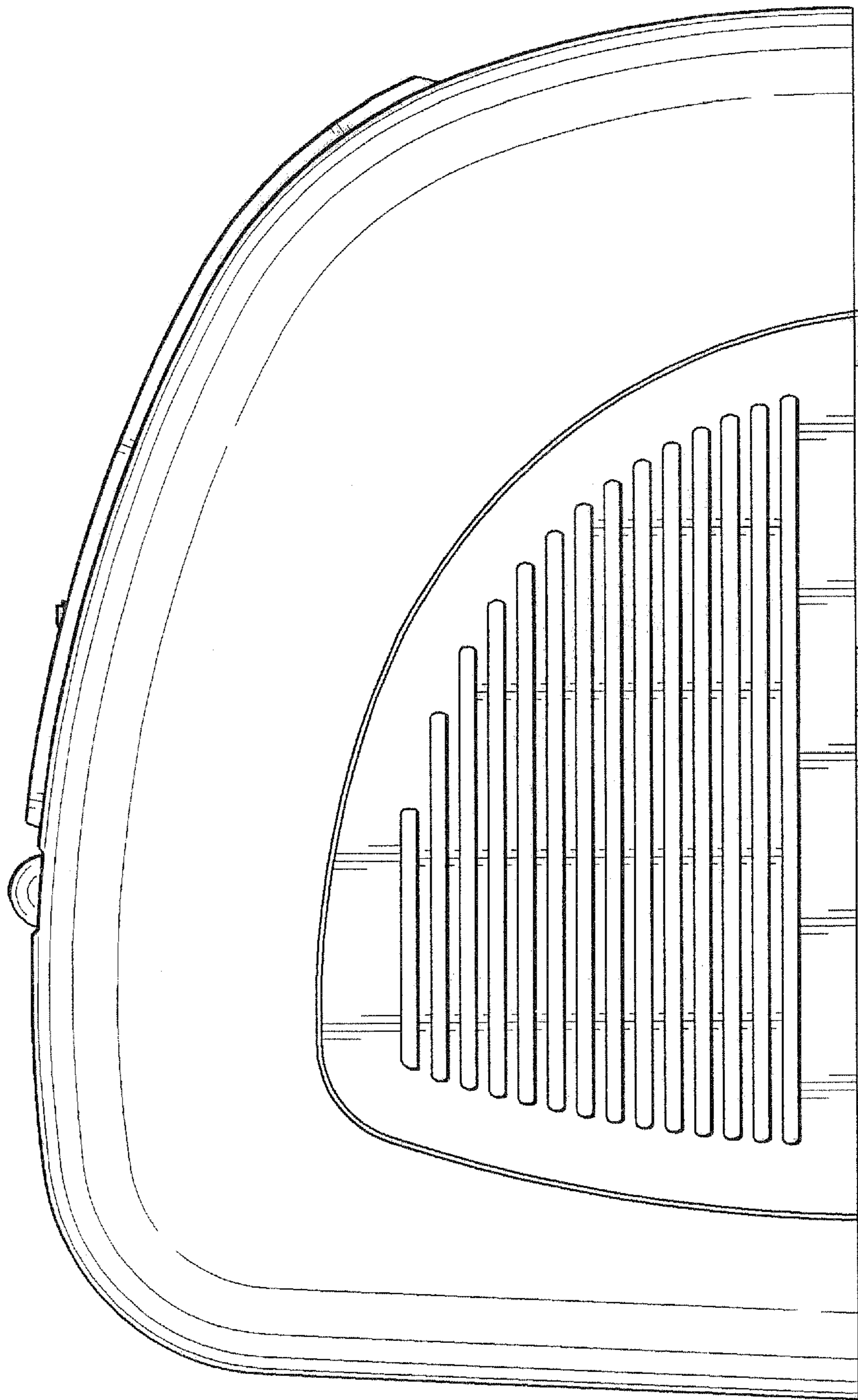


Fig. 6

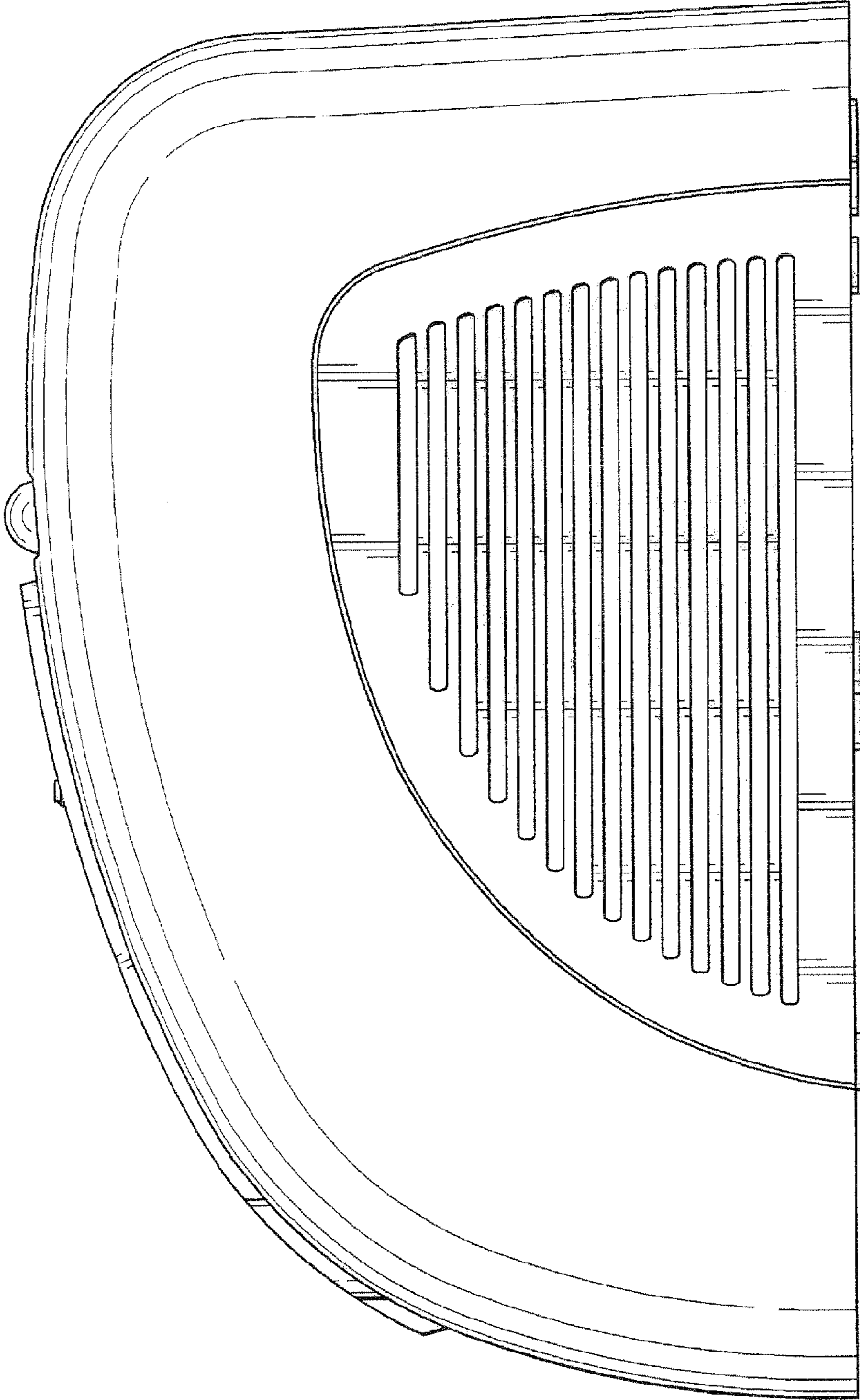


Fig. 7