

US00D590061S

(12) **United States Design Patent**  
**Stephens**

(10) **Patent No.:** **US D590,061 S**  
(45) **Date of Patent:** **\*\* Apr. 7, 2009**

- (54) **CATHETER INFORMATION CLIP** 5,407,109 A 4/1995 Zuckerman  
D381,367 S 7/1997 Rashman
- (75) Inventor: **John Stephens**, Perkiomenville, PA (US) 5,950,883 A 9/1999 Bond et al.  
5,971,436 A 10/1999 Cox
- (73) Assignee: **Medical Components, Inc.**, 5,974,708 A 11/1999 Webb et al.  
Harleysville, PA (US) 6,079,135 A 6/2000 Ruiz  
6,089,527 A 7/2000 Utterberg  
6,240,668 B1 6/2001 Clawson et al.
- (\*\*) Term: **14 Years**

- (21) Appl. No.: **29/294,394**
- (22) Filed: **Jan. 9, 2008**

**Related U.S. Application Data**

- (62) Division of application No. 29/269,424, filed on Nov. 30, 2006, now Pat. No. Des. 565,730.

- (51) **LOC (9) Cl.** ..... **24-02**
- (52) **U.S. Cl.** ..... **D24/129**
- (58) **Field of Classification Search** ..... D24/127,  
D24/128, 129, 133, 143; D8/394-396; D20/22;  
40/299.01, 300, 306, 309, 316, 321, 334,  
40/633, 666

See application file for complete search history.

(56) **References Cited**

**U.S. PATENT DOCUMENTS**

- D31,083 S 6/1899 Seng
- 1,580,649 A 4/1926 Christiansen
- 2,094,796 A 10/1937 Kahn
- 3,068,600 A 12/1962 Blanchet
- 4,256,132 A 3/1981 Gunter
- 4,378,648 A 4/1983 Loof et al.
- 4,429,852 A 2/1984 Tersteegen et al.
- D273,993 S 5/1984 Schulte et al.
- 4,497,124 A 2/1985 Olive
- 4,775,121 A 10/1988 Carty
- 4,876,810 A 10/1989 Piana et al.
- 5,035,399 A 7/1991 Rantanen-Lee
- 5,138,784 A 8/1992 Niwa
- 5,203,056 A 4/1993 Funk et al.
- 5,275,282 A 1/1994 Ross et al.
- 5,281,228 A 1/1994 Wolfson
- 5,309,604 A 5/1994 Poulsen
- 5,316,246 A 5/1994 Scott et al.

(Continued)

**FOREIGN PATENT DOCUMENTS**

GB 2042131 9/1980

*Primary Examiner*—T. Chase Nelson  
*Assistant Examiner*—Eric L Goodman  
(74) *Attorney, Agent, or Firm*—Anton P. Ness; Fox Rothschild LLP

(57) **CLAIM**

The ornamental design for a catheter information clip, as shown and described.

**DESCRIPTION**

FIG. 1 is an isometric view of a catheter information clip according to the present invention; a catheter and catheter clamp are shown in broken line for illustrative purposes only and form no part of the claimed design.

FIG. 2 is an isometric view of the catheter information clip of FIG. 1, alone.

FIG. 3 is a left side view of the catheter information clip shown in FIG. 2, the right side being a mirror image thereof;

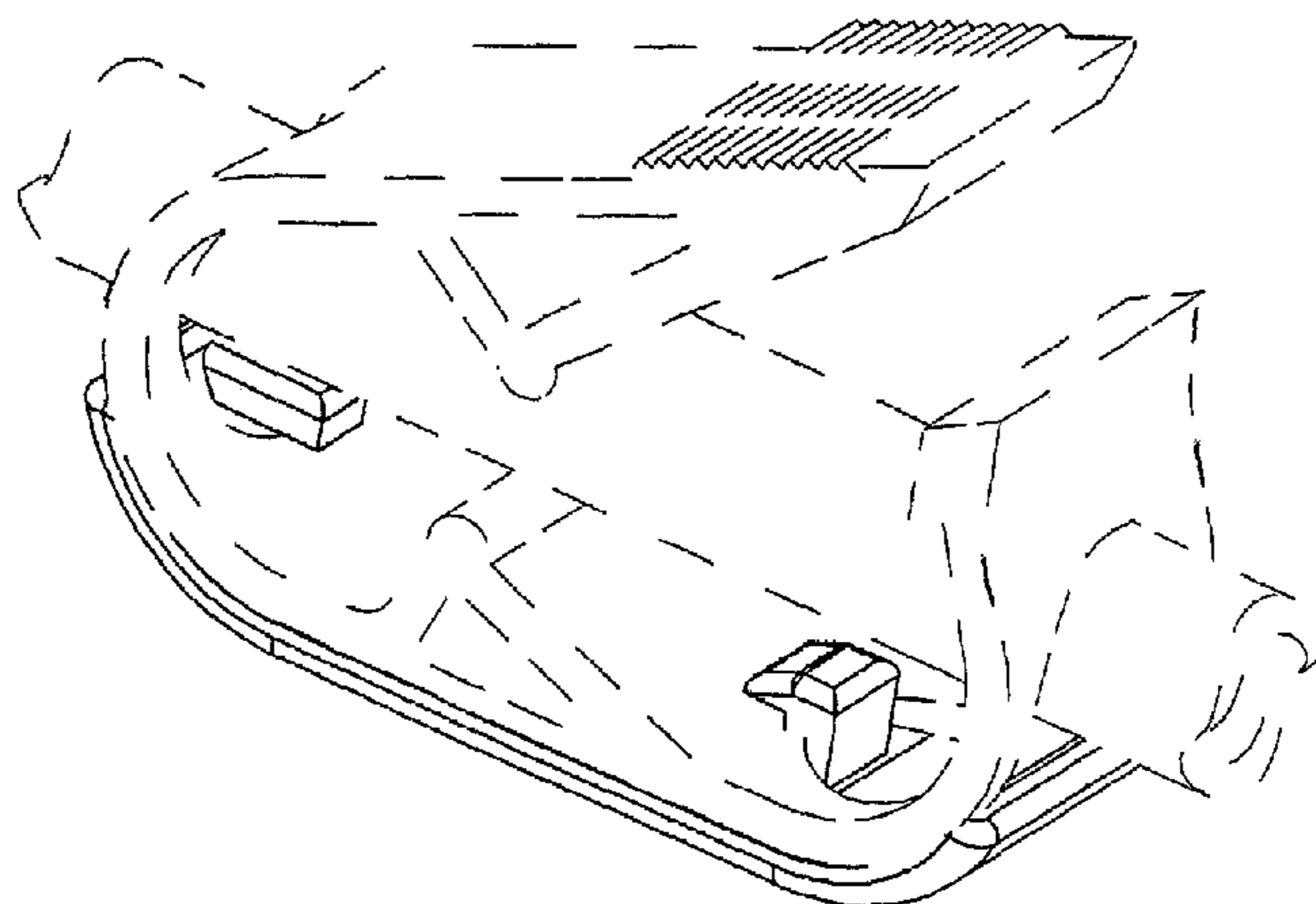
FIG. 4 is a top view of the catheter information clip shown in FIG. 2.

FIG. 5 is a bottom view of the catheter information clip shown in FIG. 2.

FIG. 6 is a proximal end view of the catheter information clip shown in FIG. 2; and,

FIG. 7 is a distal end view of the catheter information clip shown in FIG. 2.

**1 Claim, 2 Drawing Sheets**



# US D590,061 S

Page 2

## U.S. PATENT DOCUMENTS

6,464,691	B1	10/2002	Castenada et al.	D565,730	S *	4/2008	Stephens	.....	D24/128
6,491,664	B2	12/2002	Bierman	D567,372	S *	4/2008	Chesnin	.....	D24/128
D477,776	S	7/2003	Pontaoe	D568,991	S *	5/2008	Schweikert et al.	.....	D24/128
6,651,362	B2	11/2003	Caveney	D569,972	S *	5/2008	Schweikert	.....	D24/128
D489,452	S	5/2004	Schweikert	D571,005	S *	6/2008	Chesnin et al.	.....	D24/128
D491,265	S	6/2004	Schweikert	D571,463	S *	6/2008	Chesnin	.....	D24/128
D498,299	S	11/2004	Schweikert	D573,255	S *	7/2008	Stephens	.....	D24/128
6,823,617	B2	11/2004	Schweikert	D584,405	S *	1/2009	Stephens	.....	D24/128
6,929,625	B2	8/2005	Bierman	2003/0093932	A1	5/2003	Battaglia, Jr.		
D562,449	S *	2/2008	Schweikert	2004/0068902	A1	4/2004	Hadzic et al.		
7,331,130	B2 *	2/2008	Schweikert	2004/0159024	A1	8/2004	Wortley et al.		
D563,551	S *	3/2008	Schweikert et al.	2005/0044759	A1	3/2005	Schweikert		
D565,729	S *	4/2008	Stephens	2006/0015072	A1	1/2006	Raulerson		

\* cited by examiner

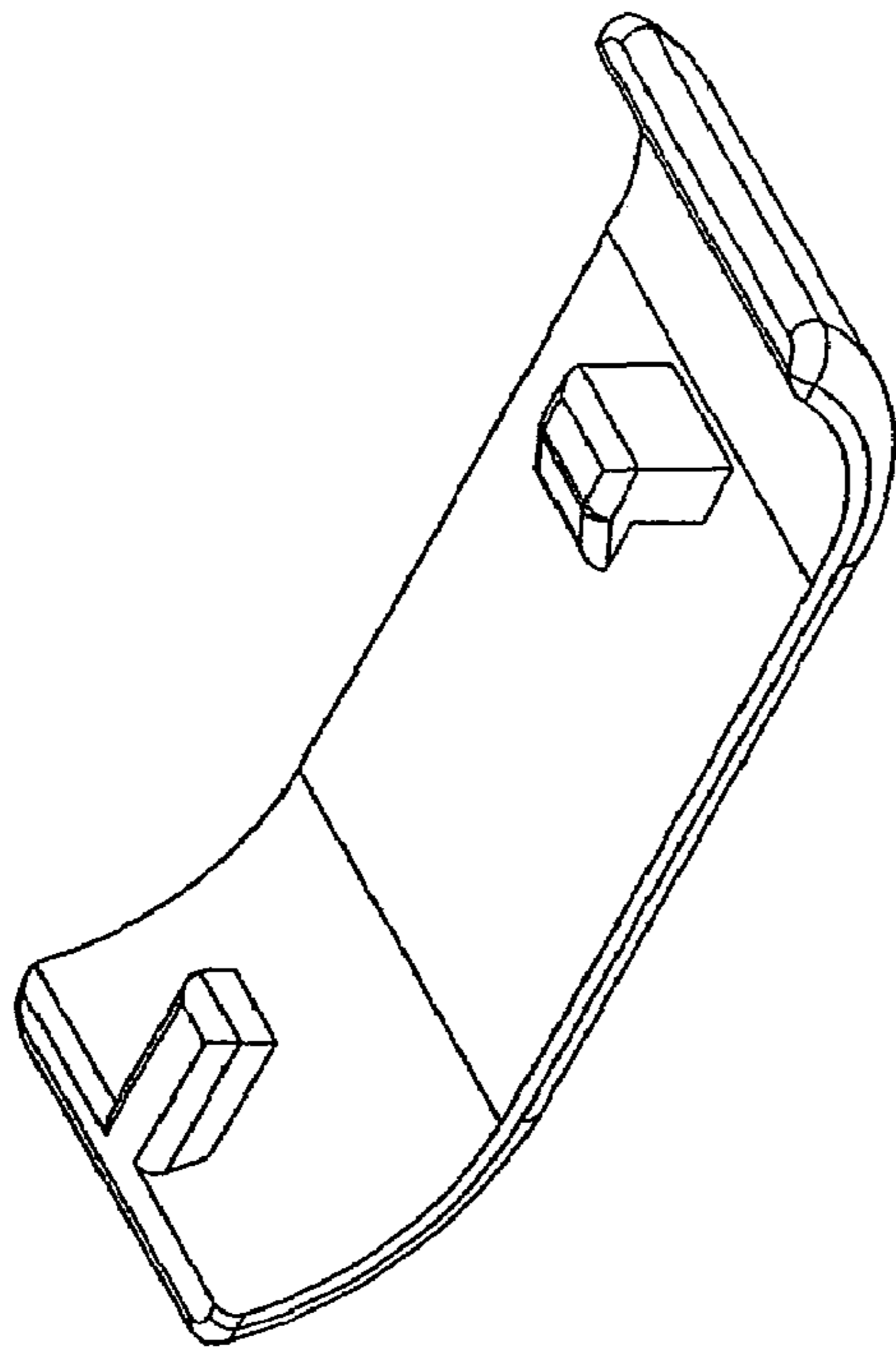


FIG. 2

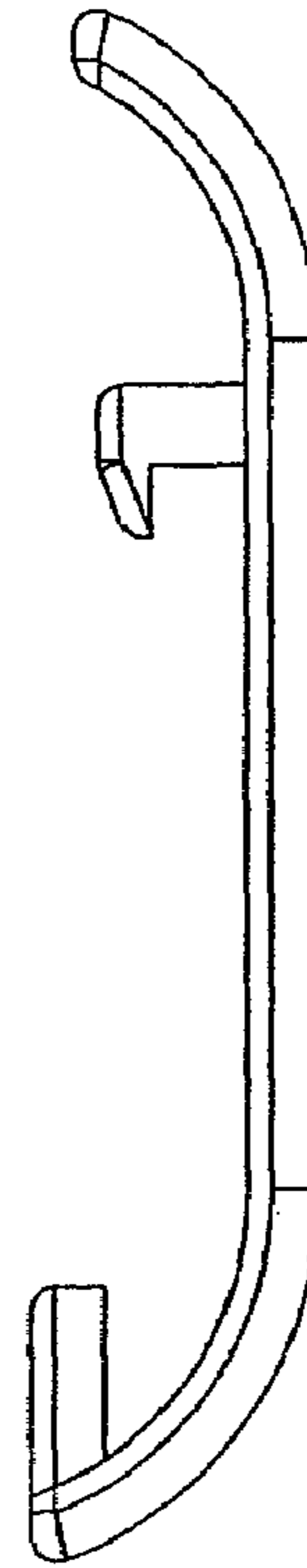


FIG. 3

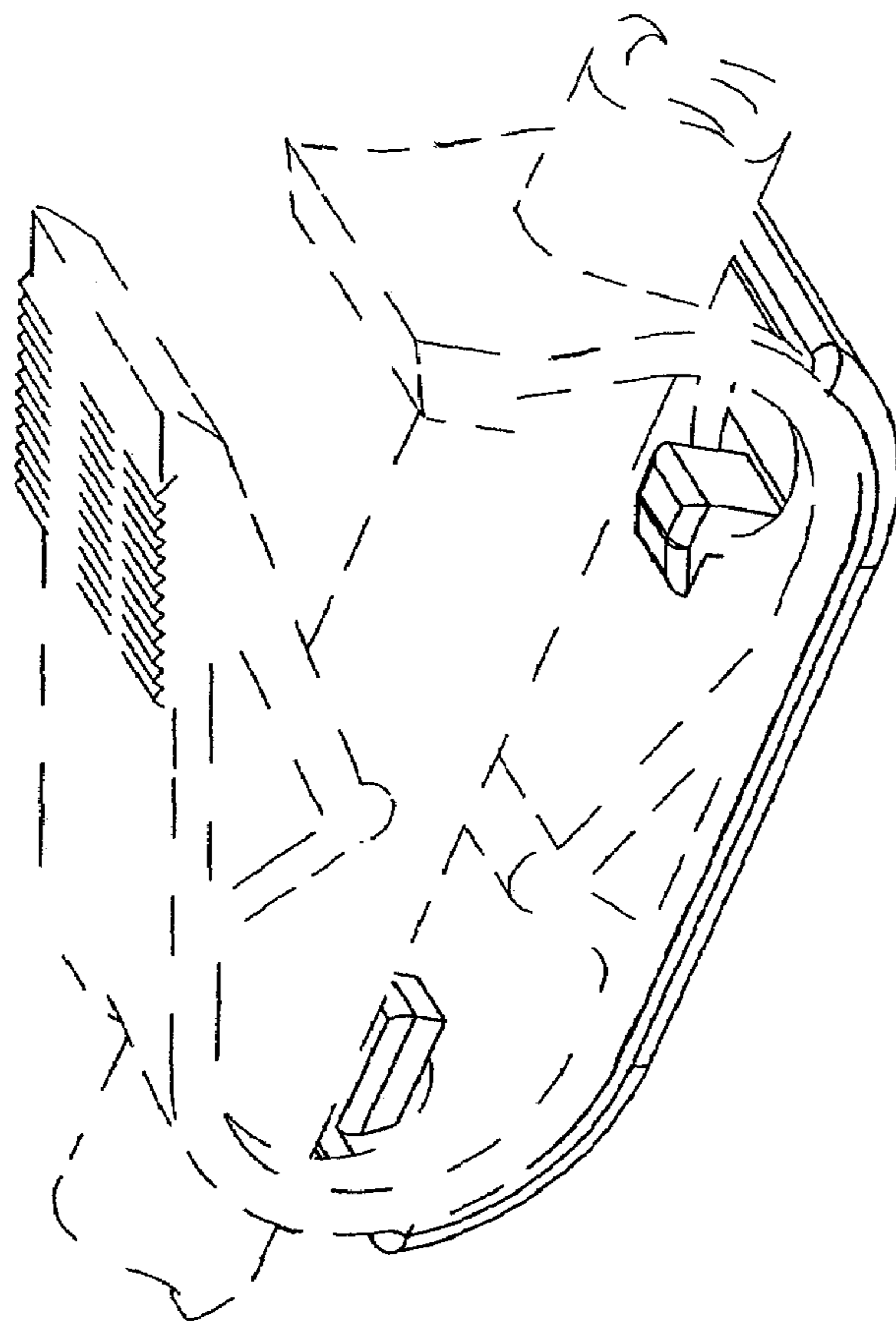


FIG. 1

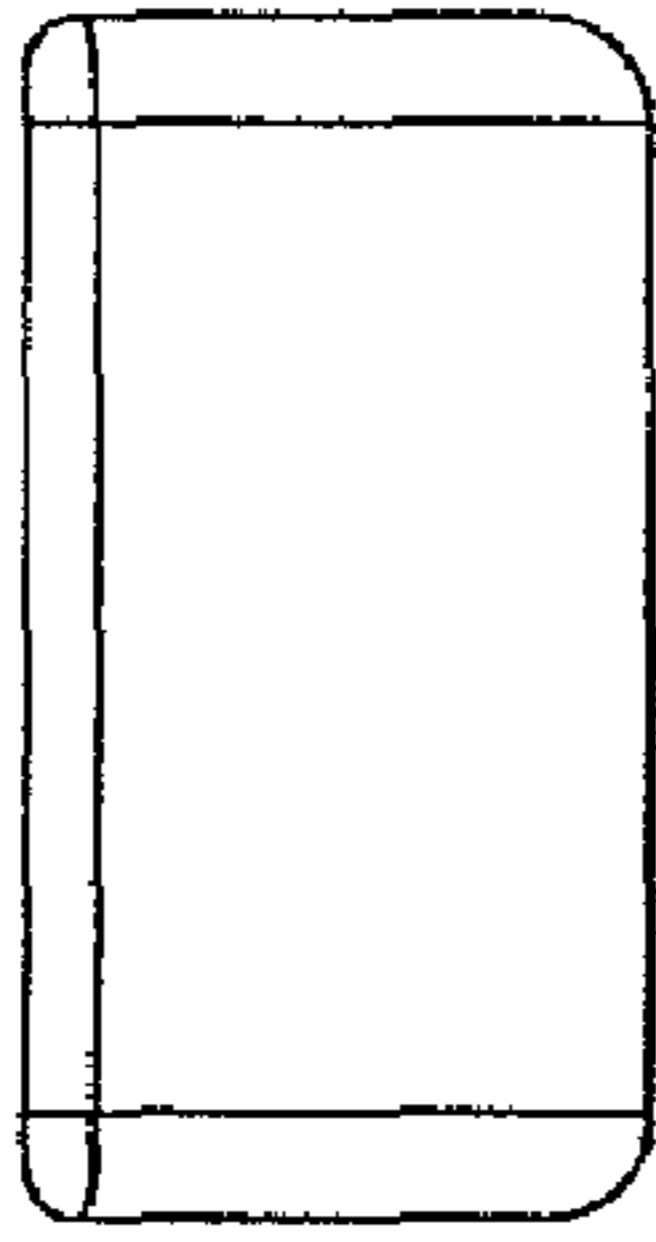


FIG. 6

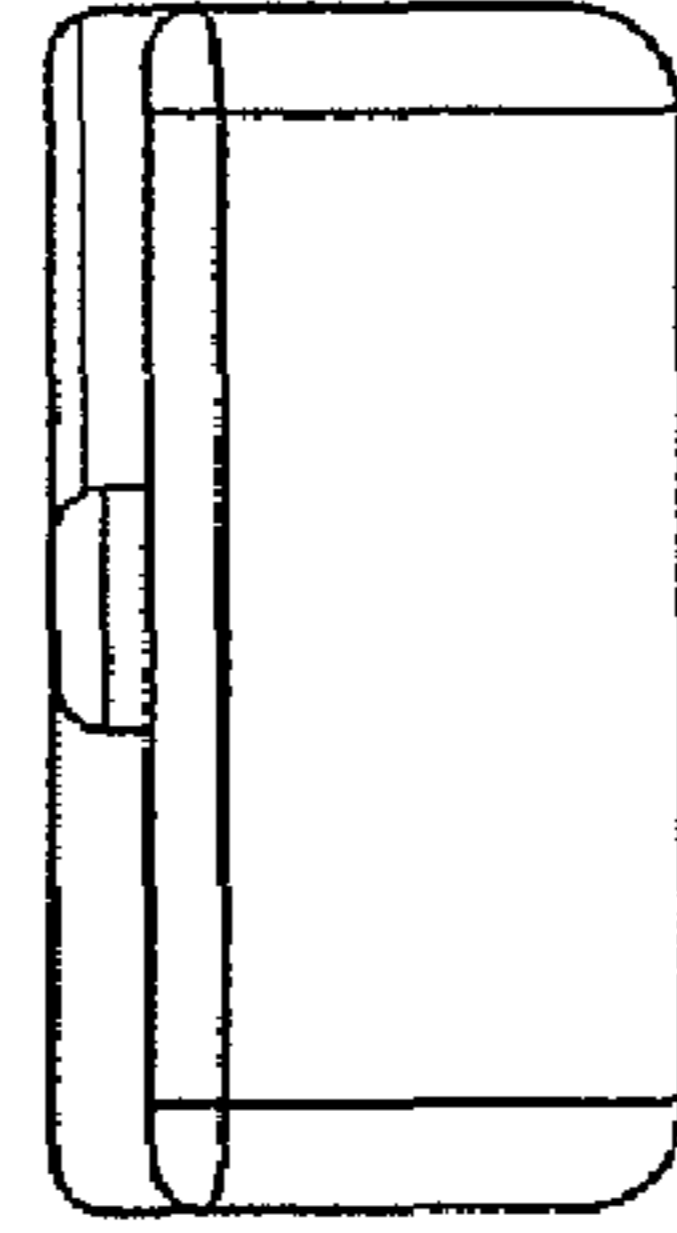


FIG. 7

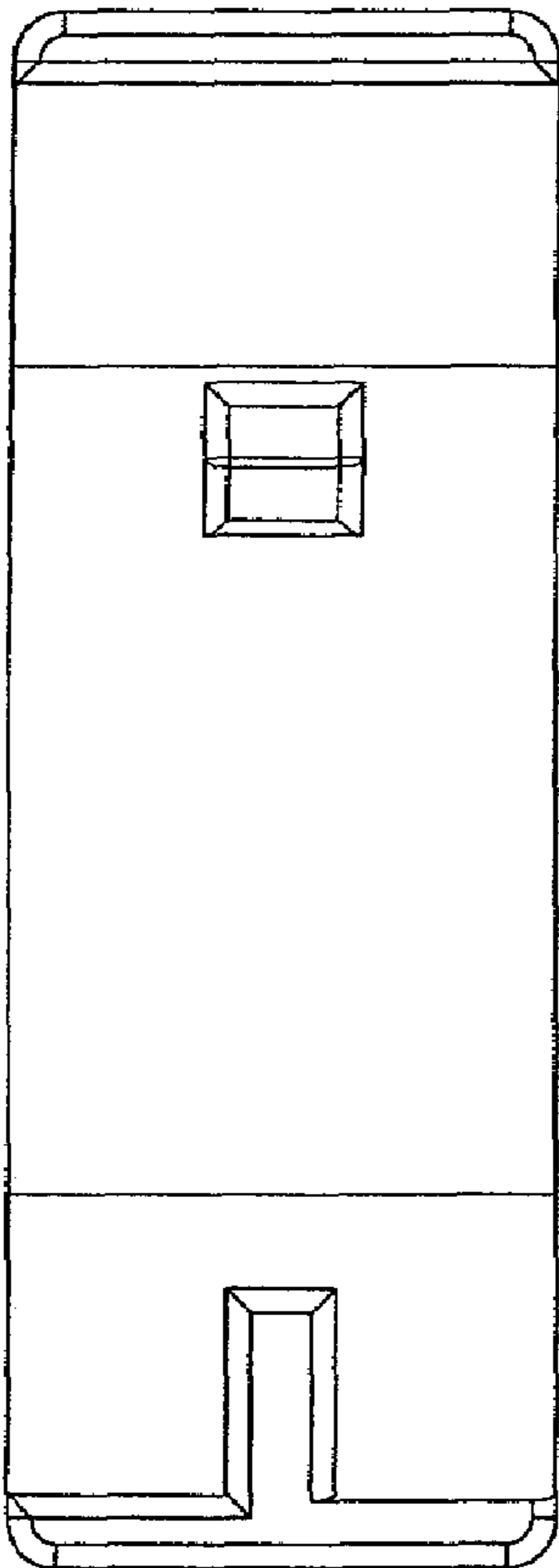


FIG. 4

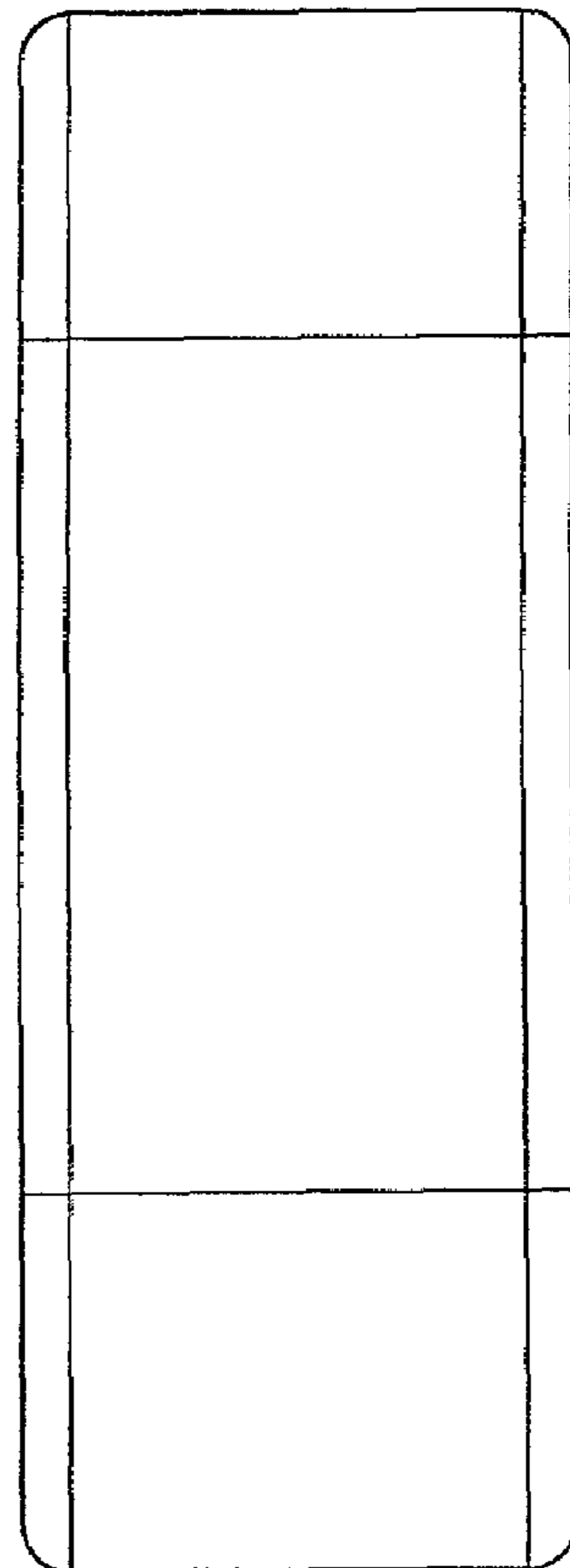


FIG. 5