



(12) **United States Design Patent**  
**Williams**

(10) **Patent No.:** **US D590,060 S**  
(45) **Date of Patent:** **\*\* Apr. 7, 2009**

(54) **STAIN PREVENTER FOR UNDERWEAR**

(76) Inventor: **Alvin L. Williams**, 324 Esplanade,  
Aldinga Beach, South Australia (AU)  
5173

(\*\*) Term: **14 Years**

(21) Appl. No.: **29/277,237**

(22) Filed: **Feb. 19, 2007**

(51) **LOC (9) Cl.** ..... **24-04**

(52) **U.S. Cl.** ..... **D24/125**

(58) **Field of Classification Search** ..... D24/124-126;  
604/364, 378, 380, 383, 385.01, 385.3, 385.04,  
604/385.05, 385.16, 385.23, 385.27, 385.2,  
604/385.87

See application file for complete search history.

(56) **References Cited**

**U.S. PATENT DOCUMENTS**

3,897,783	A *	8/1975	Ginocchio	.....	604/387
D348,102	S *	6/1994	Gegelys et al.	.....	D24/125
5,618,282	A *	4/1997	Schlangen	.....	604/387
D432,235	S *	10/2000	Schlinz et al.	.....	D24/125

D460,176	S *	7/2002	Carlucci et al.	.....	D24/125
D470,935	S *	2/2003	Sherrod et al.	.....	D24/125
D476,416	S *	6/2003	MacDonagh	.....	D24/125
D477,871	S *	7/2003	De Carvalho et al.	.....	D24/125
6,764,477	B1 *	7/2004	Chen et al.	.....	604/385.14
D516,728	S *	3/2006	Wall	.....	D24/189

\* cited by examiner

*Primary Examiner*—Holly H Baynham

*Assistant Examiner*—Michelle E Wilson

(74) *Attorney, Agent, or Firm*—Robert S. Smith

(57) **CLAIM**

The ornamental design for a stain preventer for underwear, as shown and described.

**DESCRIPTION**

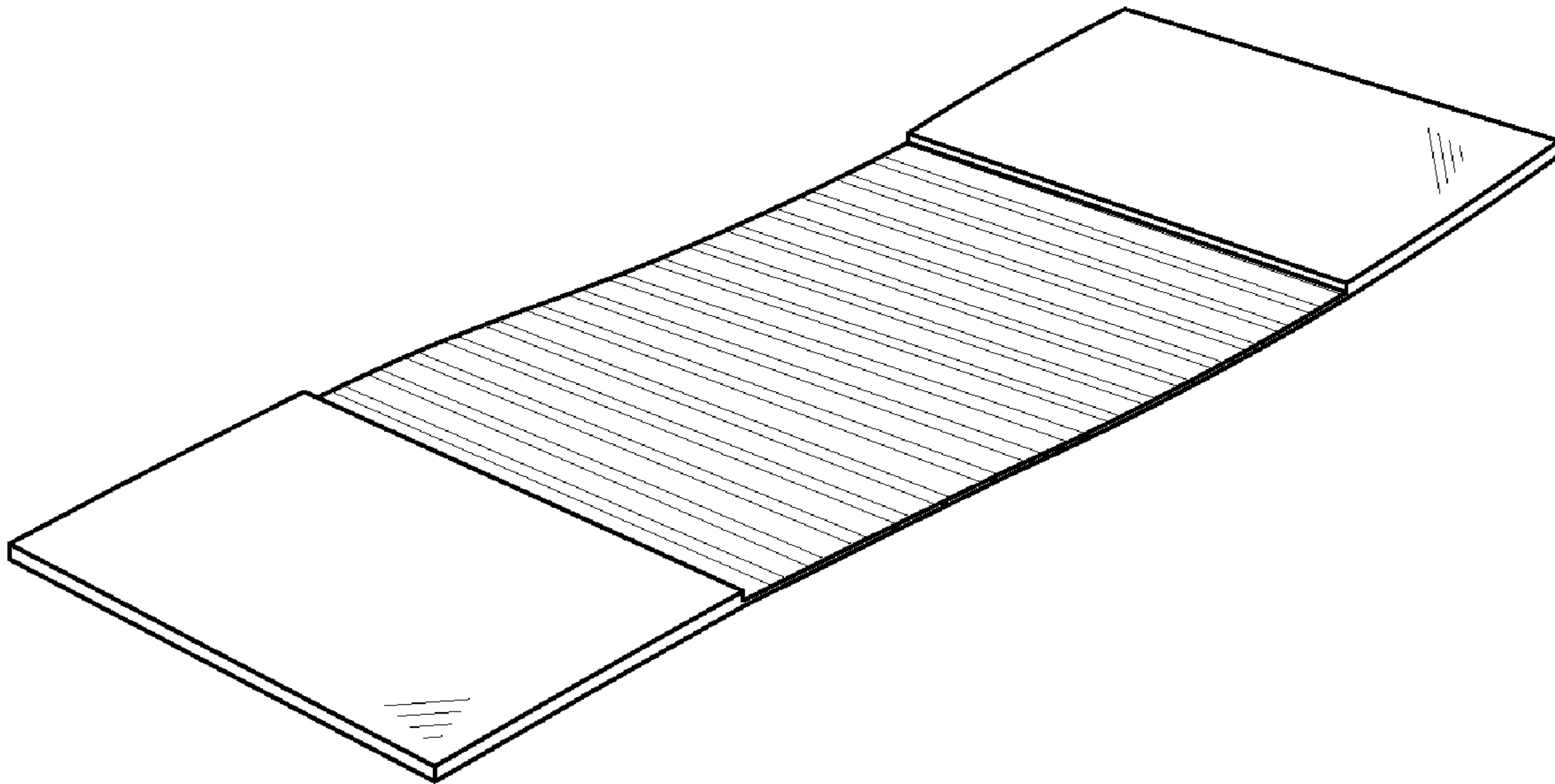
FIG. 1 is a perspective view of the primary embodiment of the stain preventer for Underwear of the present invention.

FIG. 2 is a right side view of the apparatus that is identical to the left side view of the stain preventer for underwear; and,

FIG. 3 is a top view of the stain preventer for underwear.

The broken lines in FIGS. 1 and 3 indicate texture.

**1 Claim, 1 Drawing Sheet**



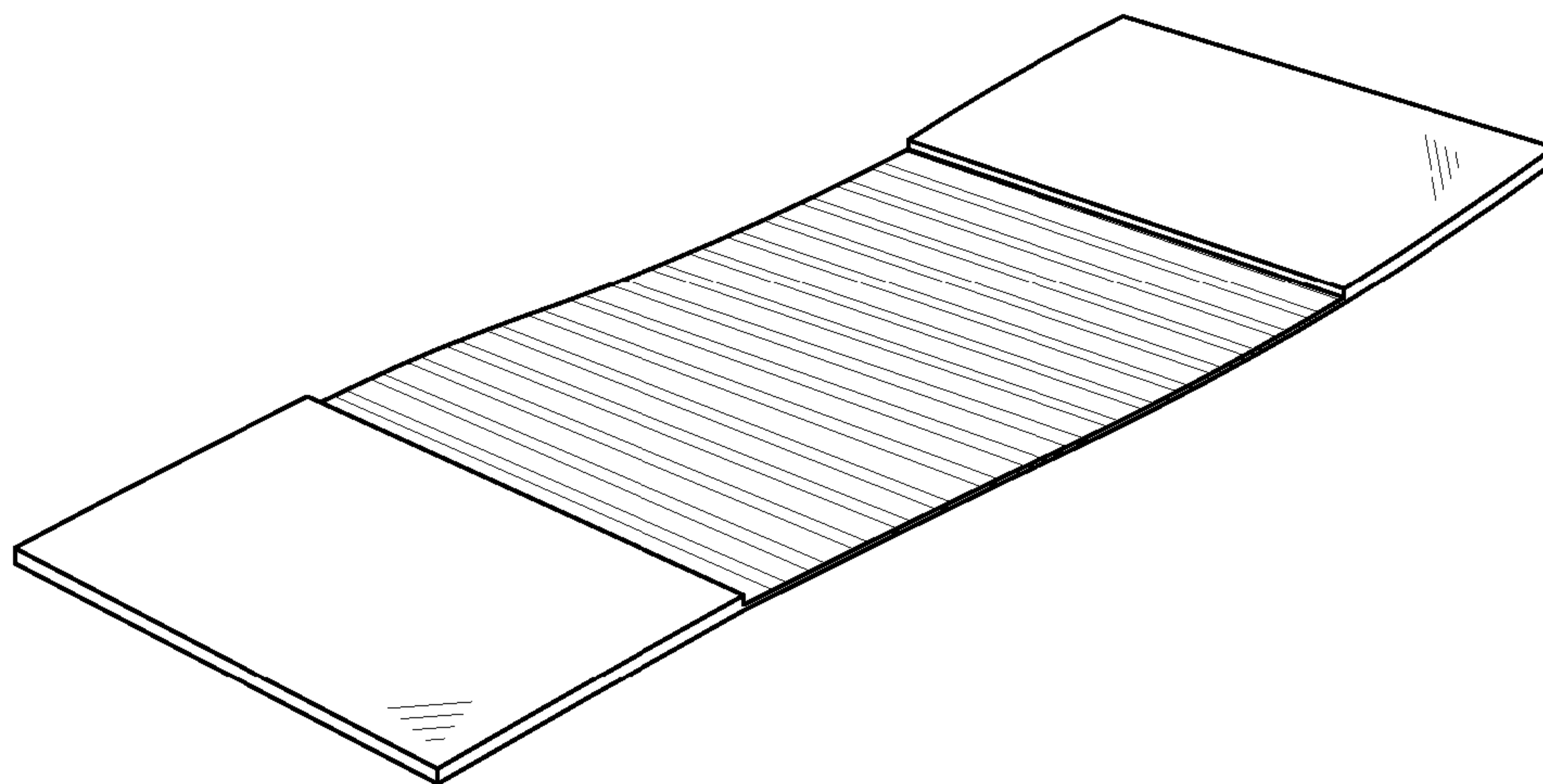


FIG. 1

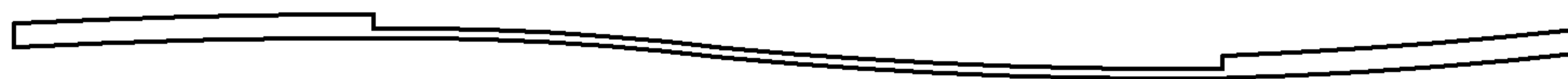


FIG. 2

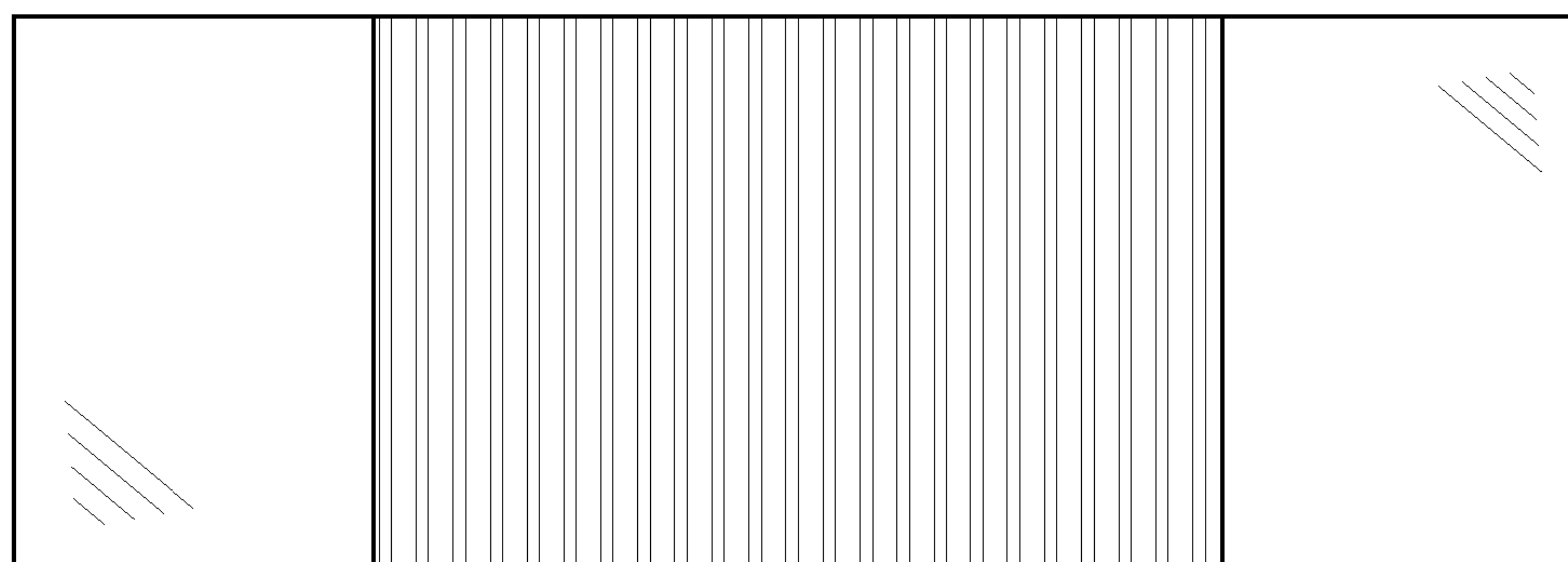


FIG. 3