



US00D590058S

(12) **United States Design Patent**
Cowan

(10) **Patent No.:** **US D590,058 S**

(45) **Date of Patent:** **** Apr. 7, 2009**

(54) **AIRFLOW SENSOR FOR USE WITH A CANNULA**

(75) **Inventor:** **James Brent Cowan**, Clayton (CA)

(73) **Assignee:** **BRAEBON Medical Corporation**, Kanata (CA)

(**) **Term:** **14 Years**

(21) **Appl. No.:** **29/283,430**

(22) **Filed:** **Aug. 14, 2007**

(51) **LOC (9) Cl.** **29-02**

(52) **U.S. Cl.** **D24/110**

(58) **Field of Classification Search** D24/110,
D24/110.5, 110.6; 128/207.18, 200.26, 206.11,
128/205.24, 204.18; 604/94.01
See application file for complete search history.

(56) **References Cited**

U.S. PATENT DOCUMENTS

D262,322 S *	12/1981	Mizerak	D24/110
7,156,097 B2 *	1/2007	Cardoso	128/206.11
D559,383 S *	1/2008	Nalagatla et al.	D24/110.5
7,337,780 B2 *	3/2008	Curti et al.	128/207.18
2006/0278232 A1 *	12/2006	Nichols	128/206.11
2006/0283463 A1 *	12/2006	Curti et al.	128/207.18
2008/0041393 A1 *	2/2008	Bracken	128/207.18
2008/0142012 A1 *	6/2008	Farnsworth et al.	128/205.24

* cited by examiner

Primary Examiner—Ian Simmons

Assistant Examiner—Christopher Lee

(74) *Attorney, Agent, or Firm*—Anne Kinsman; Borden Ladner Gervais LLP

(57) **CLAIM**

The ornamental design for an airflow sensor for use with a cannula, as shown and described.

DESCRIPTION

FIG. 1 shows a perspective view of the airflow sensor of the present invention for use with a cannula;

FIG. 2 shows a perspective view of a second embodiment of the airflow sensor of the present invention for use with a cannula;

FIG. 3 shows a front view of the airflow sensor of the present invention;

FIG. 4 shows a front view of the airflow sensor of the second embodiment;

FIG. 5 shows a top view of the airflow sensor of the present invention;

FIG. 6 shows a top view of the airflow sensor of the second embodiment;

FIG. 7 shows a bottom view of the airflow sensor of the present invention;

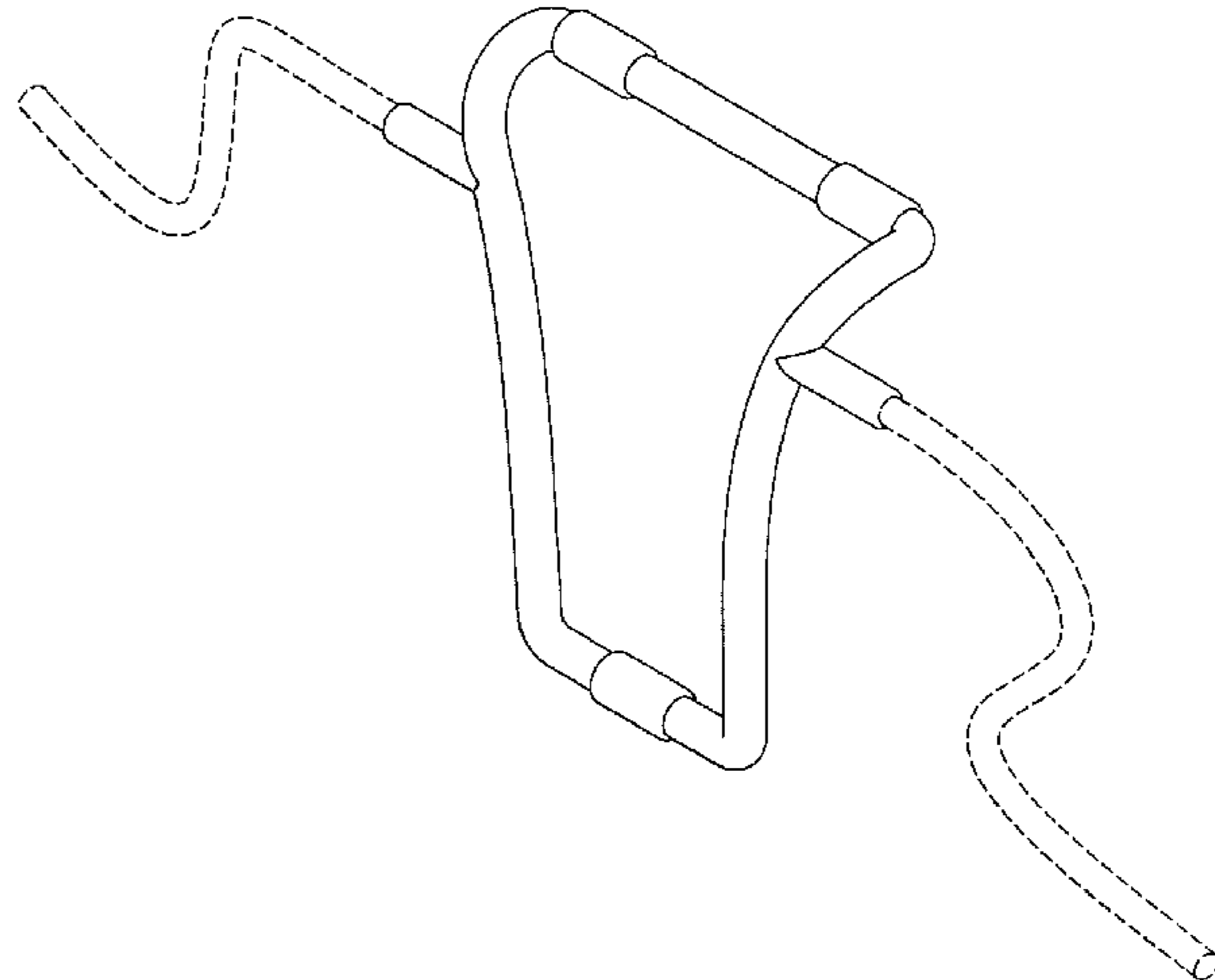
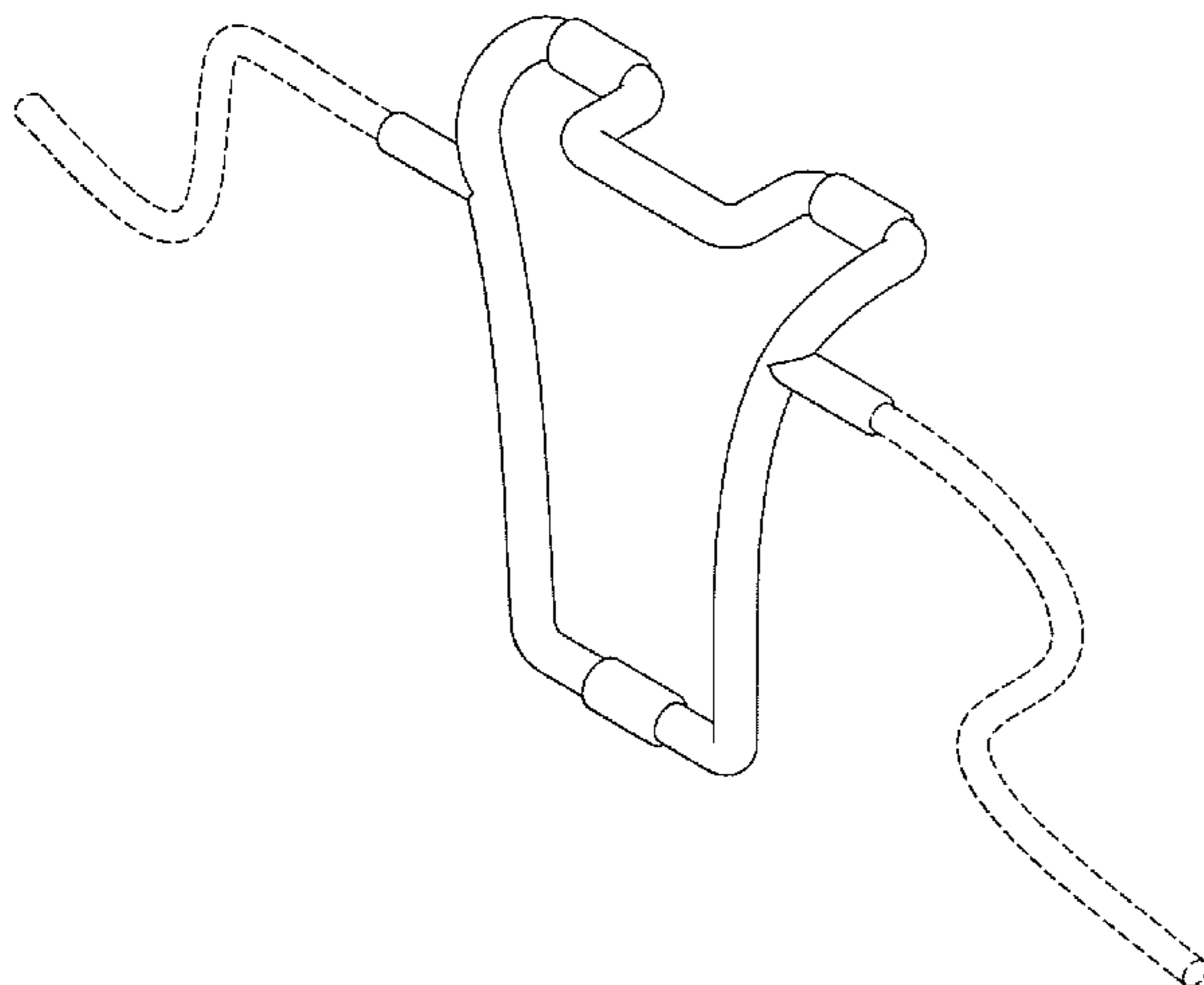
FIG. 8 shows a bottom view of the airflow sensor of the second embodiment;

FIG. 9 shows a left side view of the airflow sensor of the present invention, the right side view being a mirror image; and,

FIG. 10 shows a left side view of the airflow sensor of the second embodiment, the right side view being a mirror image.

Wires for communicating airflow sensor information are shown in broken lines for illustrative purposes only and form no part of the claimed design.

1 Claim, 10 Drawing Sheets



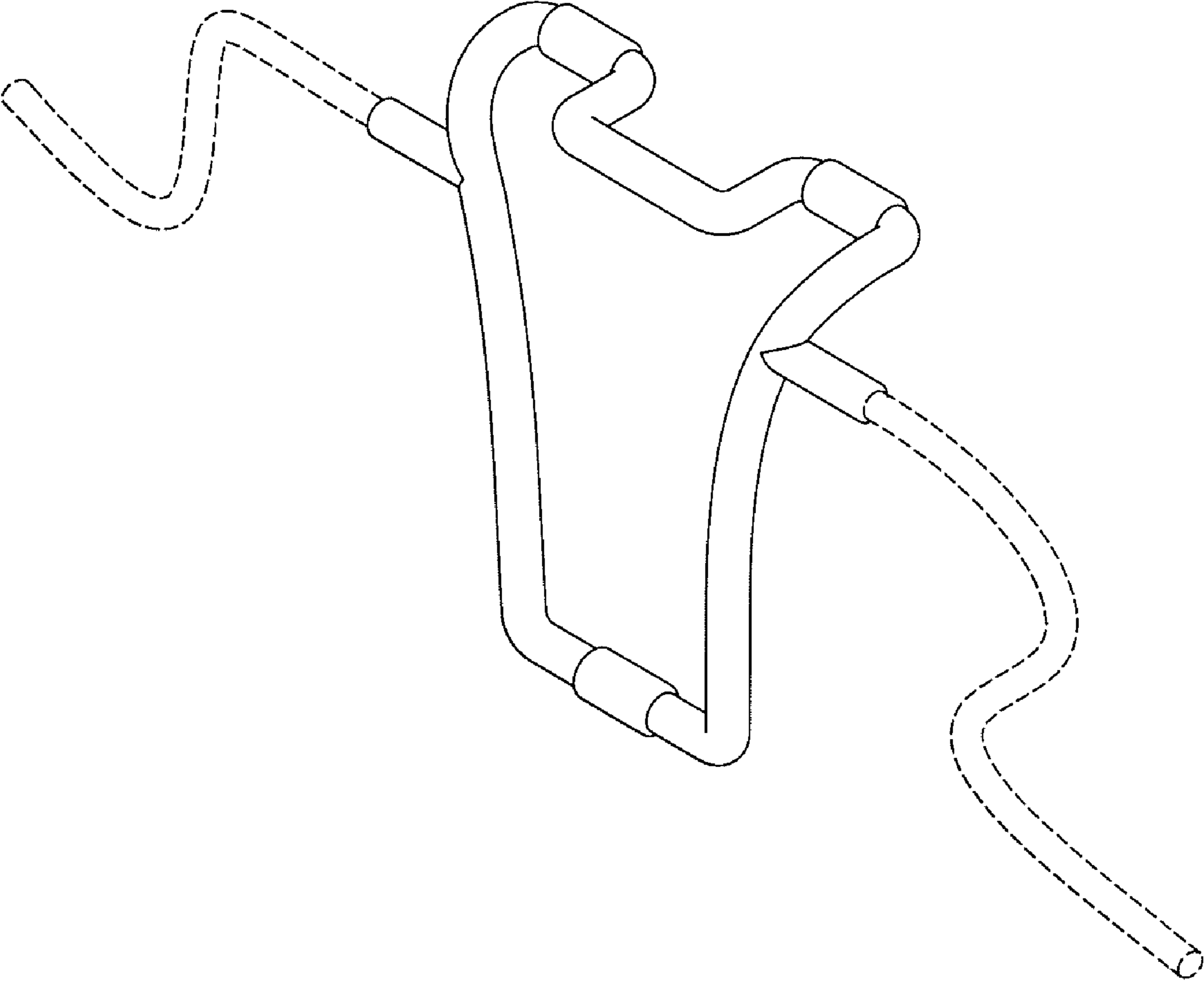


Fig. 1

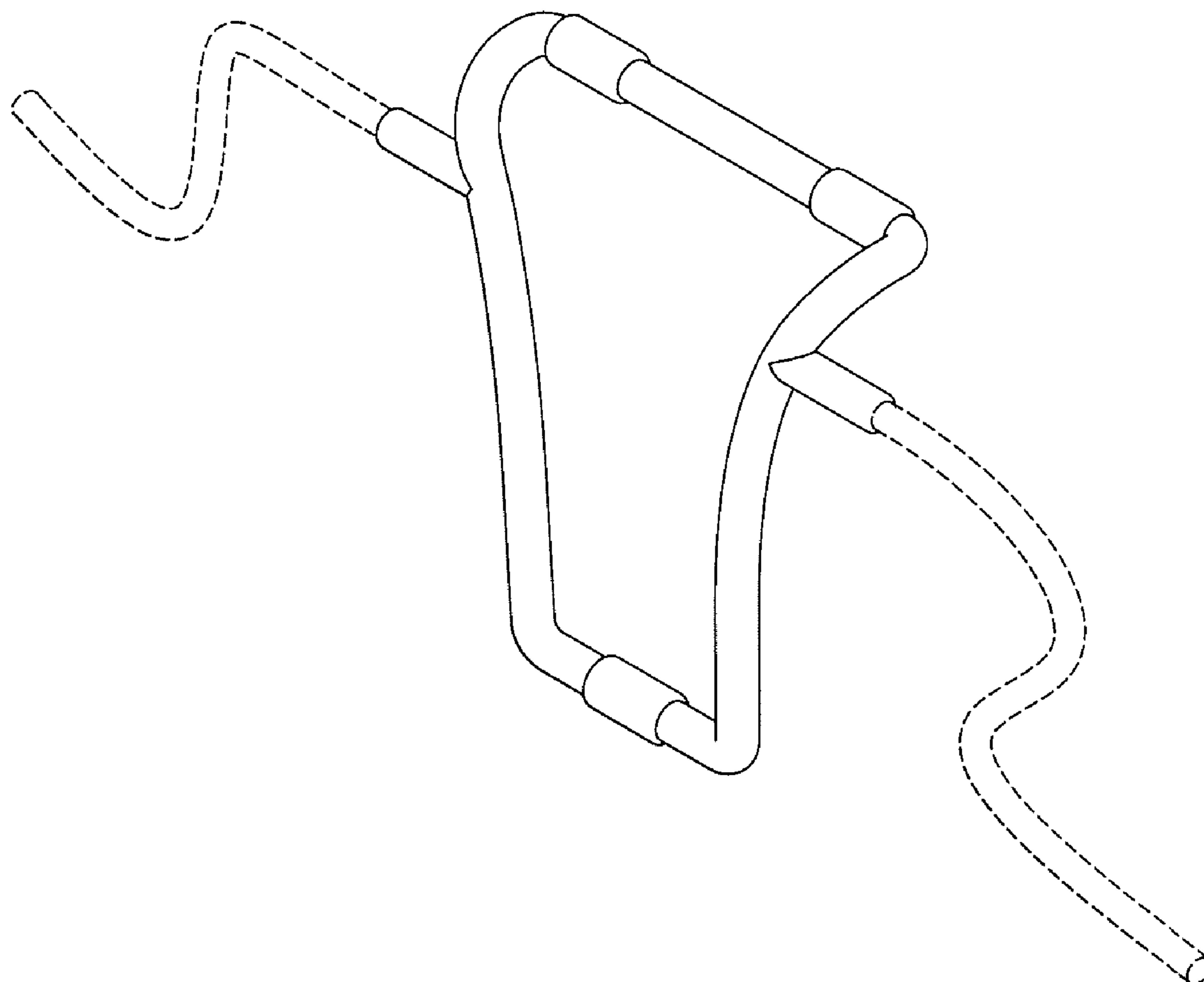


Fig. 2

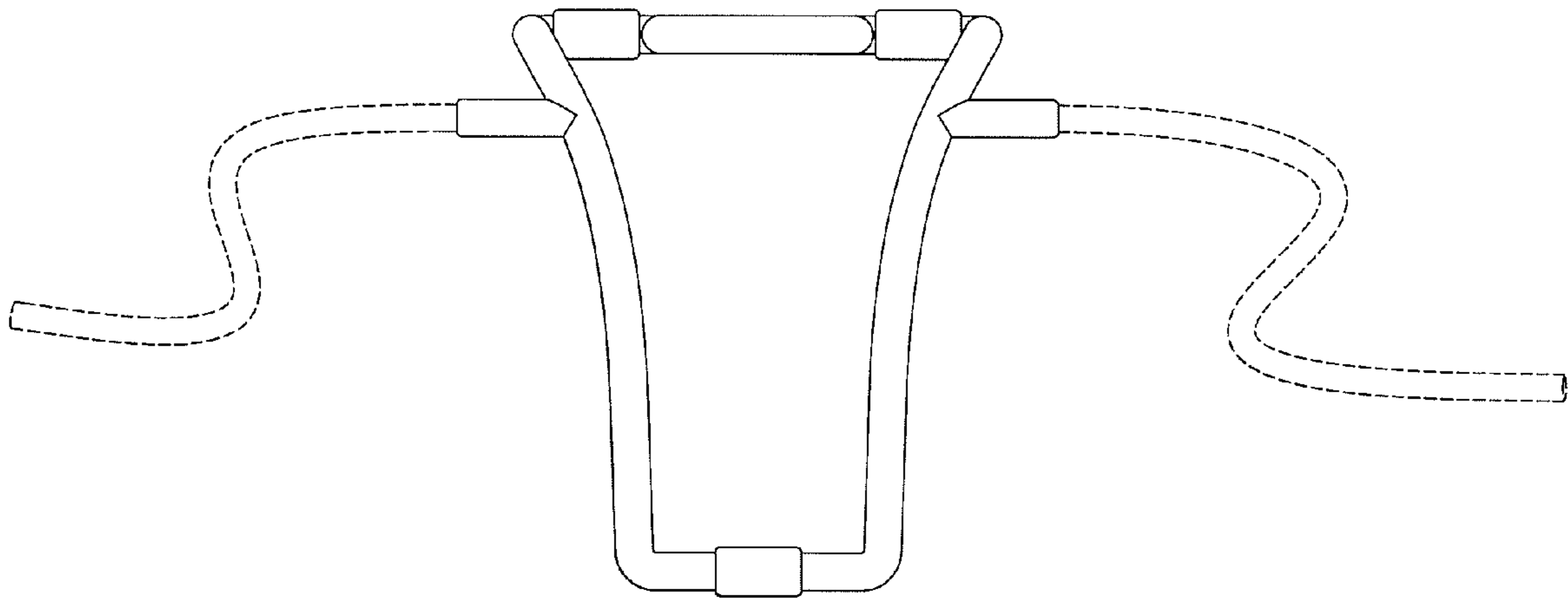


Fig. 3

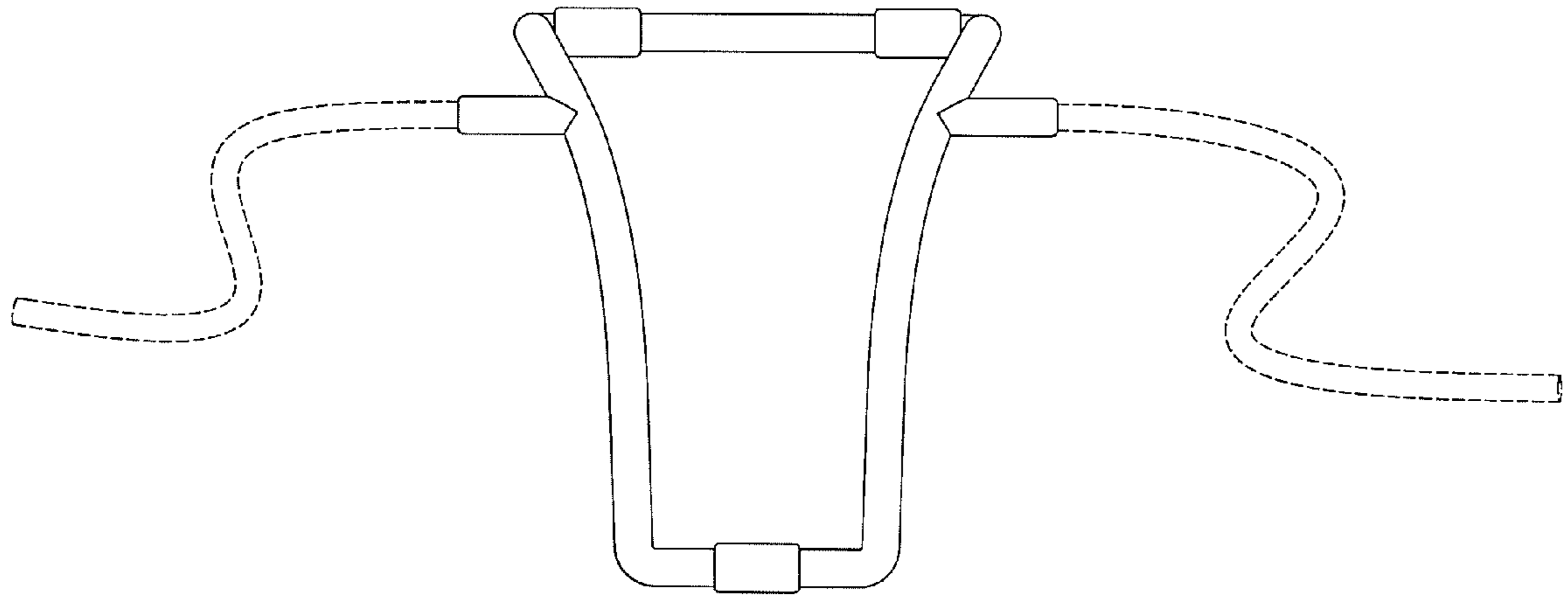


Fig. 4

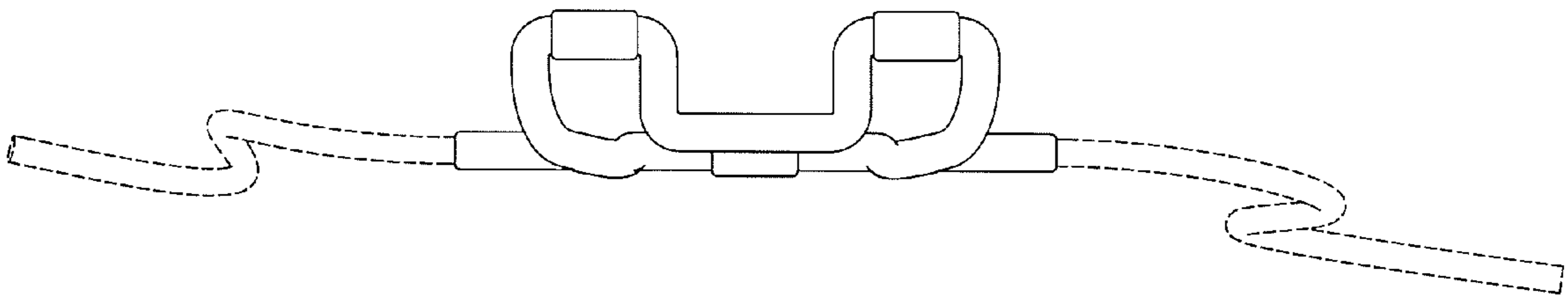


Fig. 5

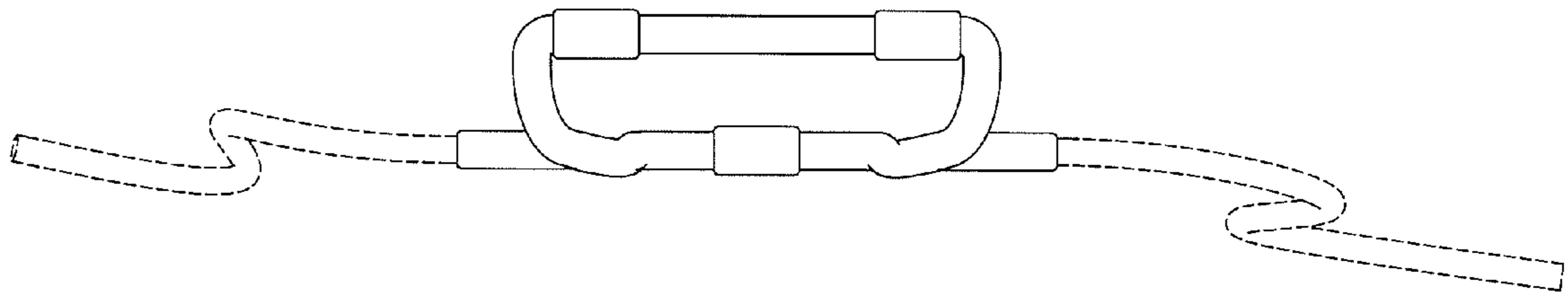


Fig. 6

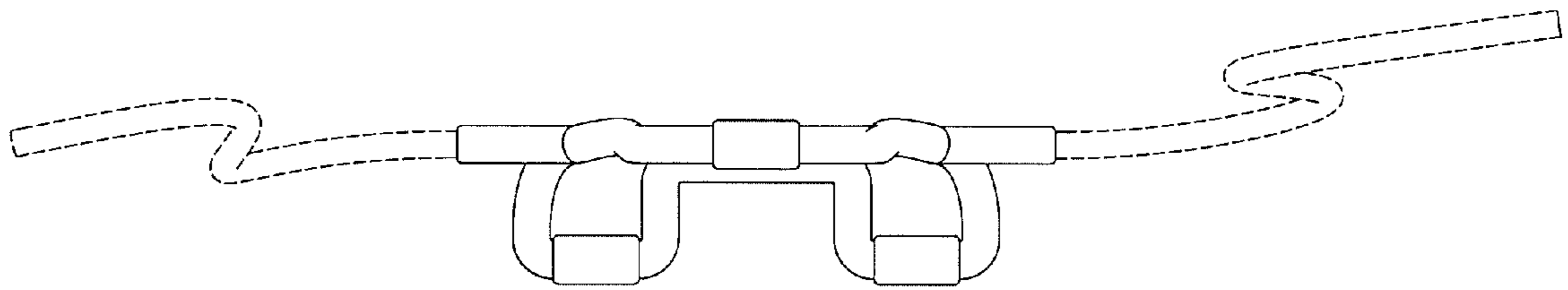


Fig. 7

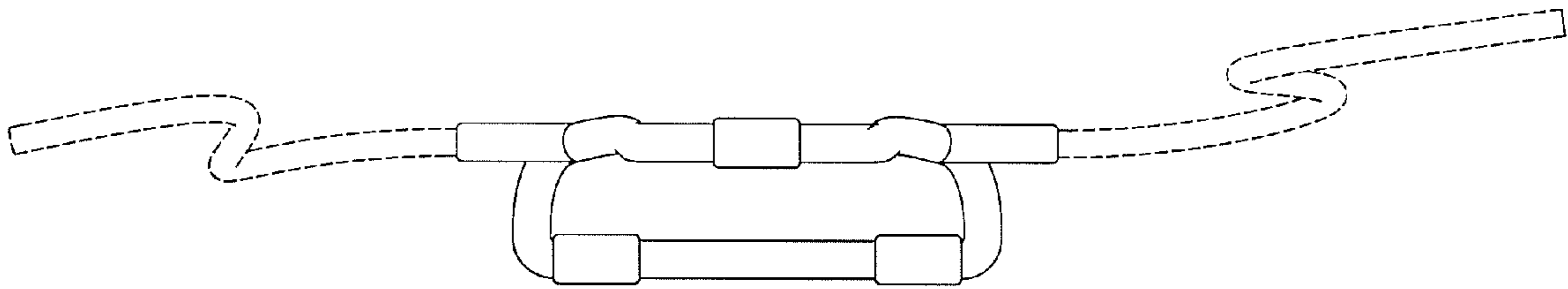


Fig. 8

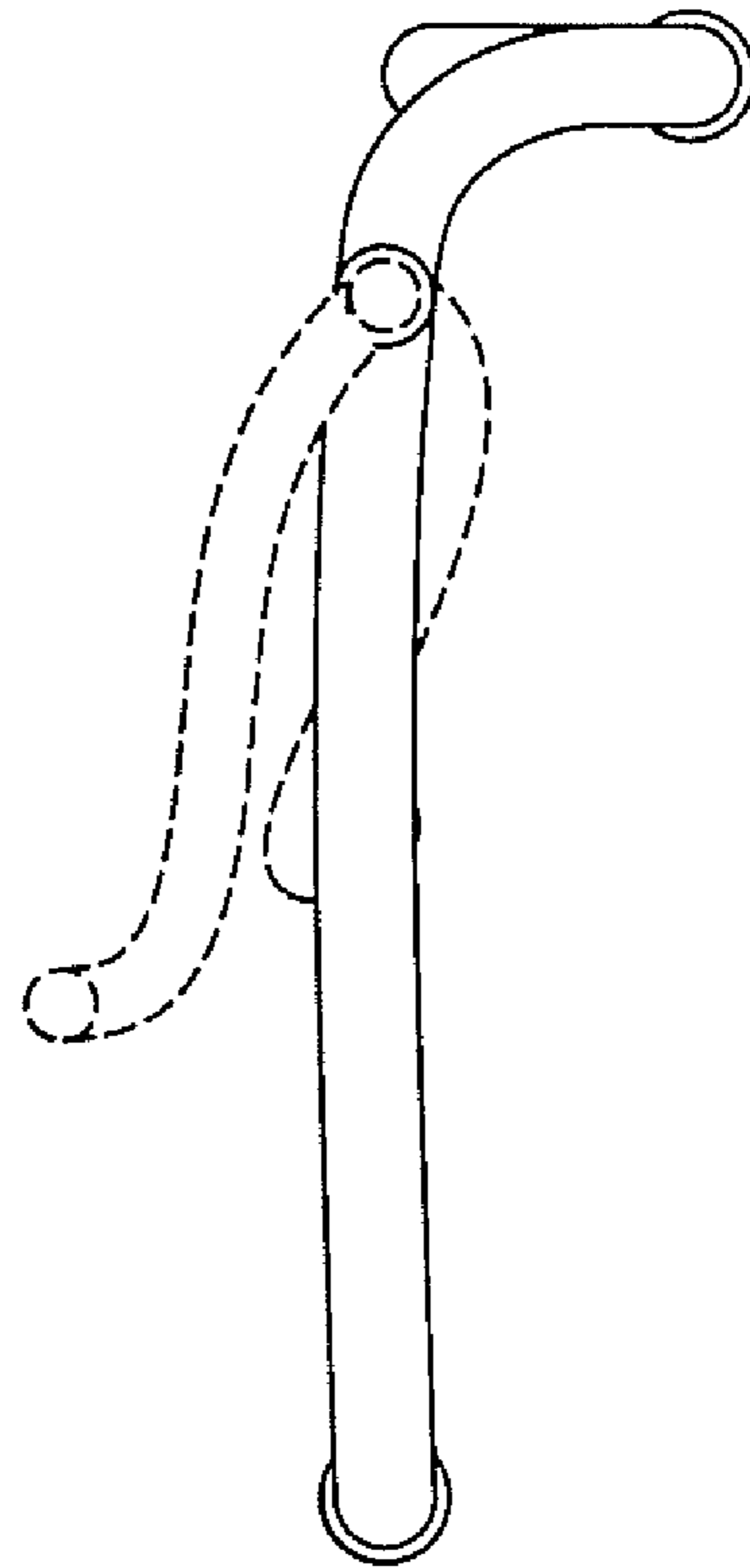


Fig. 9

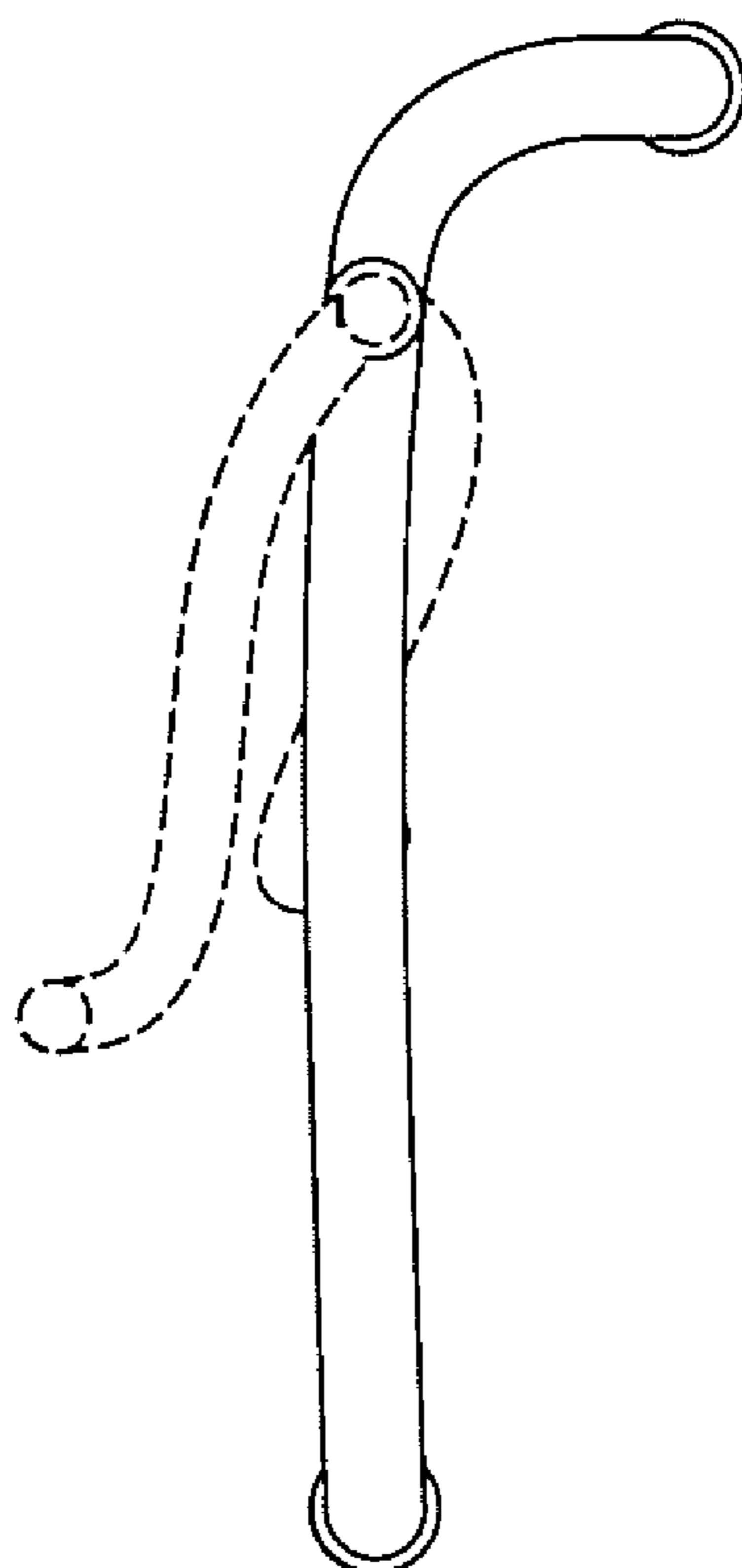


Fig. 10