



US00D590057S

(12) **United States Design Patent**
Lulla et al.

(10) **Patent No.:** **US D590,057 S**
(45) **Date of Patent:** **** Apr. 7, 2009**

(54) **INHALER**

6,443,152 B1 * 9/2002 Lockhart et al. 128/203.21
D548,833 S * 8/2007 Young et al. D24/110
7,270,127 B2 * 9/2007 Lockhart et al. 128/203.15

(75) Inventors: **Amar Lulla**, Mumbai (IN); **Geena Malhotra**, Mumbai (IN)

* cited by examiner

(73) Assignee: **Cipla Limited**, Mumbai (IN)

Primary Examiner—Ian Simmons
Assistant Examiner—Christopher Lee

(**) Term: **14 Years**

(74) *Attorney, Agent, or Firm*—Knobbe Martens Olson & Bear LLP

(21) Appl. No.: **29/269,369**

(22) Filed: **Nov. 29, 2006**

(57) **CLAIM**

(30) **Foreign Application Priority Data**

The ornamental design for an inhaler, as shown and described.

Jun. 1, 2006 (IN) 204681

DESCRIPTION

(51) **LOC (9) Cl.** **29-02**

(52) **U.S. Cl.** **D24/110**

(58) **Field of Classification Search** D24/110,
D24/110.4, 110.5; 128/200.14, 200.26, 200.18,
128/200.21, 203.15, 203.21, 203.28

FIG. 1 is a top view thereof;
FIG. 2 is a front view thereof;
FIG. 3 is a bottom view thereof;
FIG. 4 is a right side view thereof;
FIG. 5 is a left side view thereof;
FIG. 6 is a back view thereof; and,
FIG. 7 is an isometric view thereof.

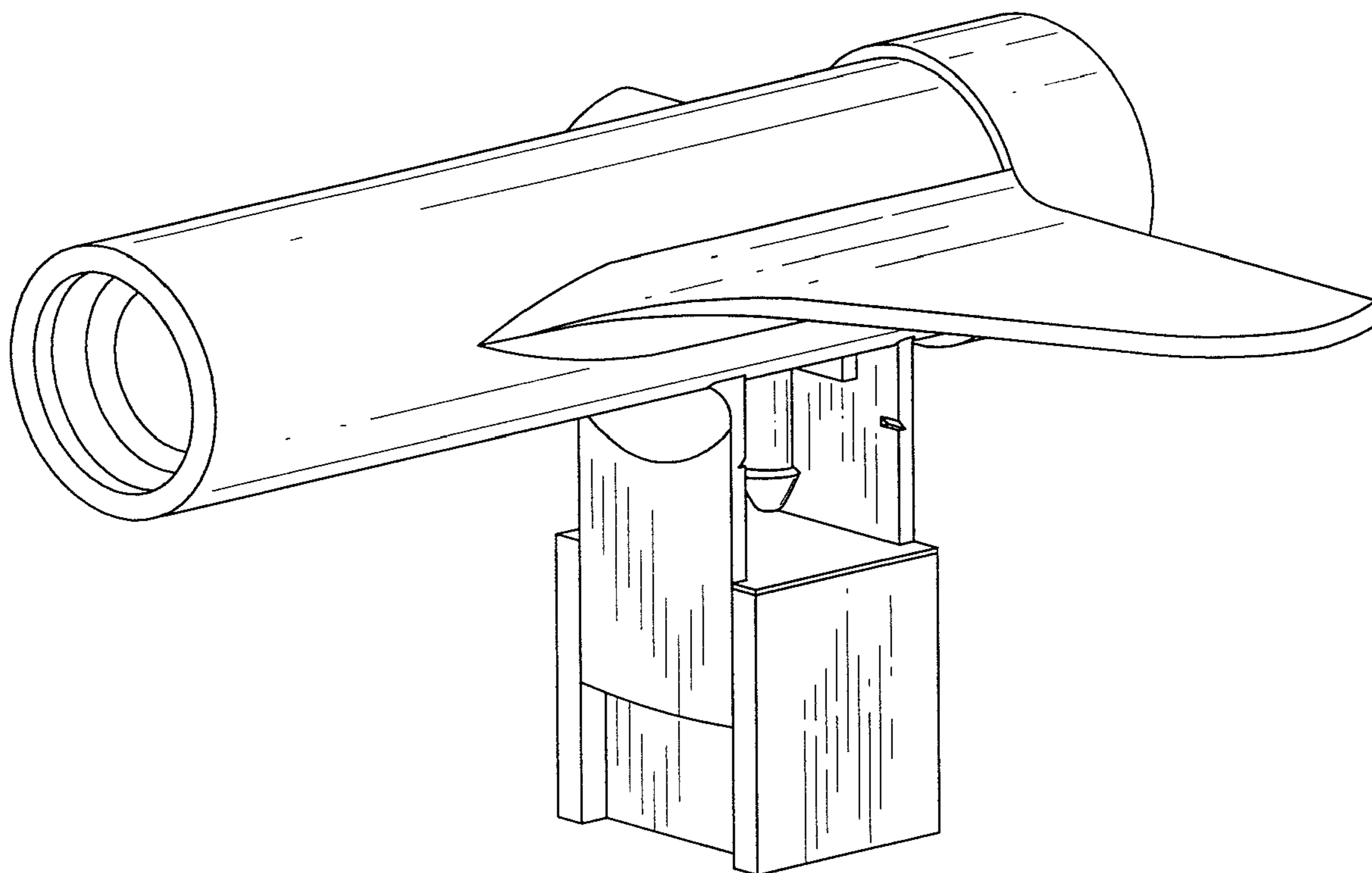
See application file for complete search history.

(56) **References Cited**

U.S. PATENT DOCUMENTS

D266,695 S * 10/1982 Trammll et al. D24/110
5,007,419 A * 4/1991 Weinstein et al. 128/200.23

1 Claim, 7 Drawing Sheets



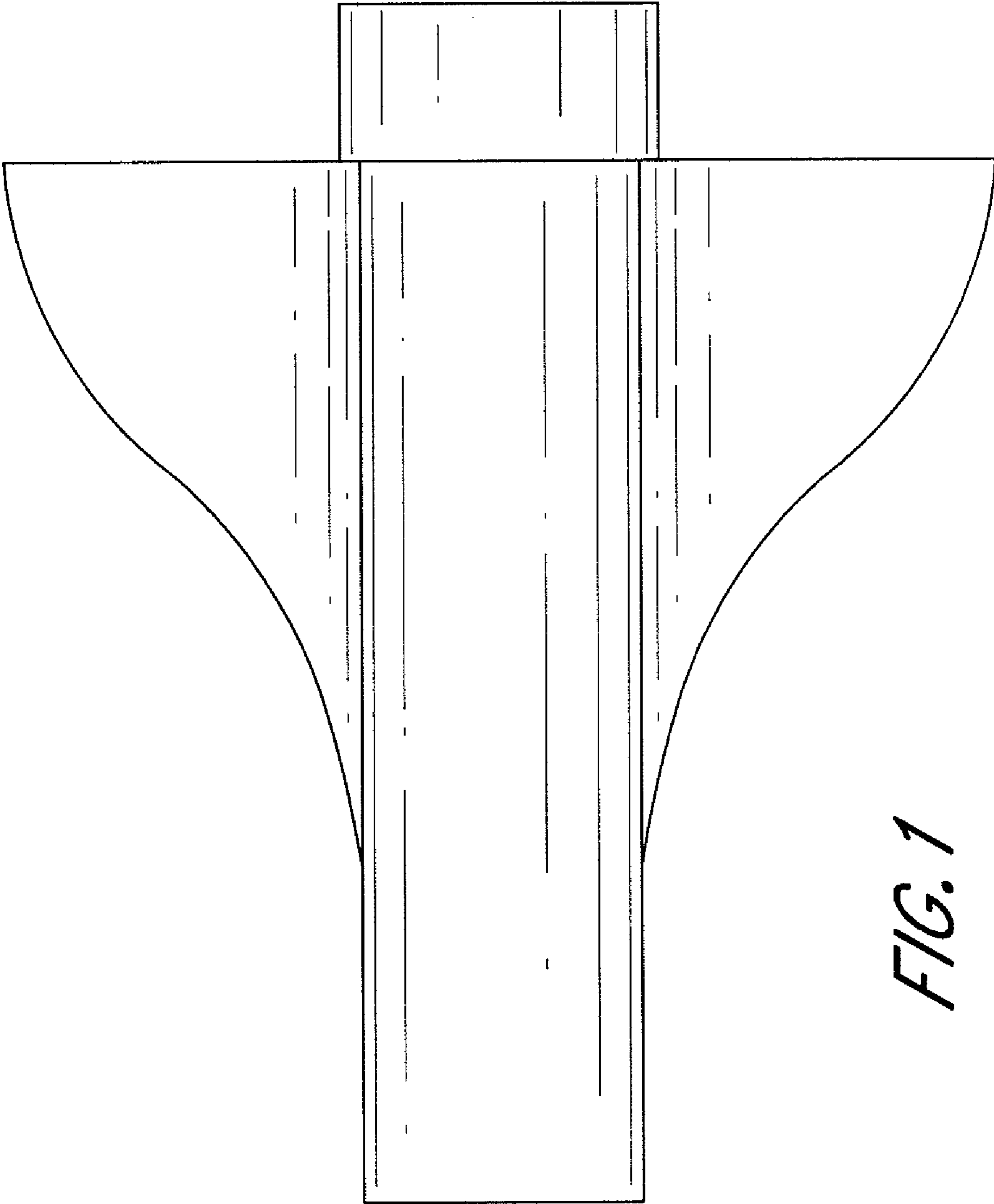


FIG. 1

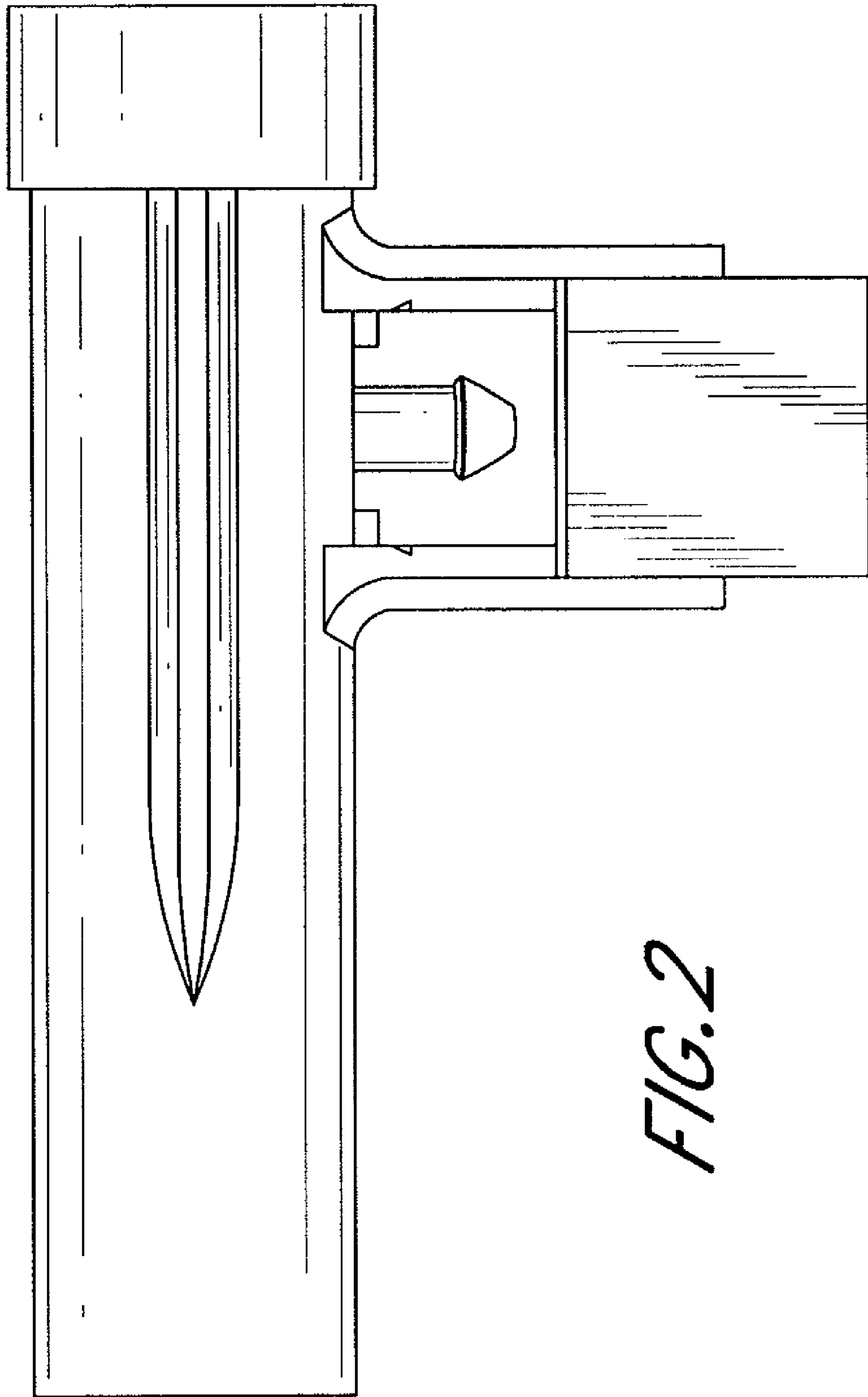


FIG. 2

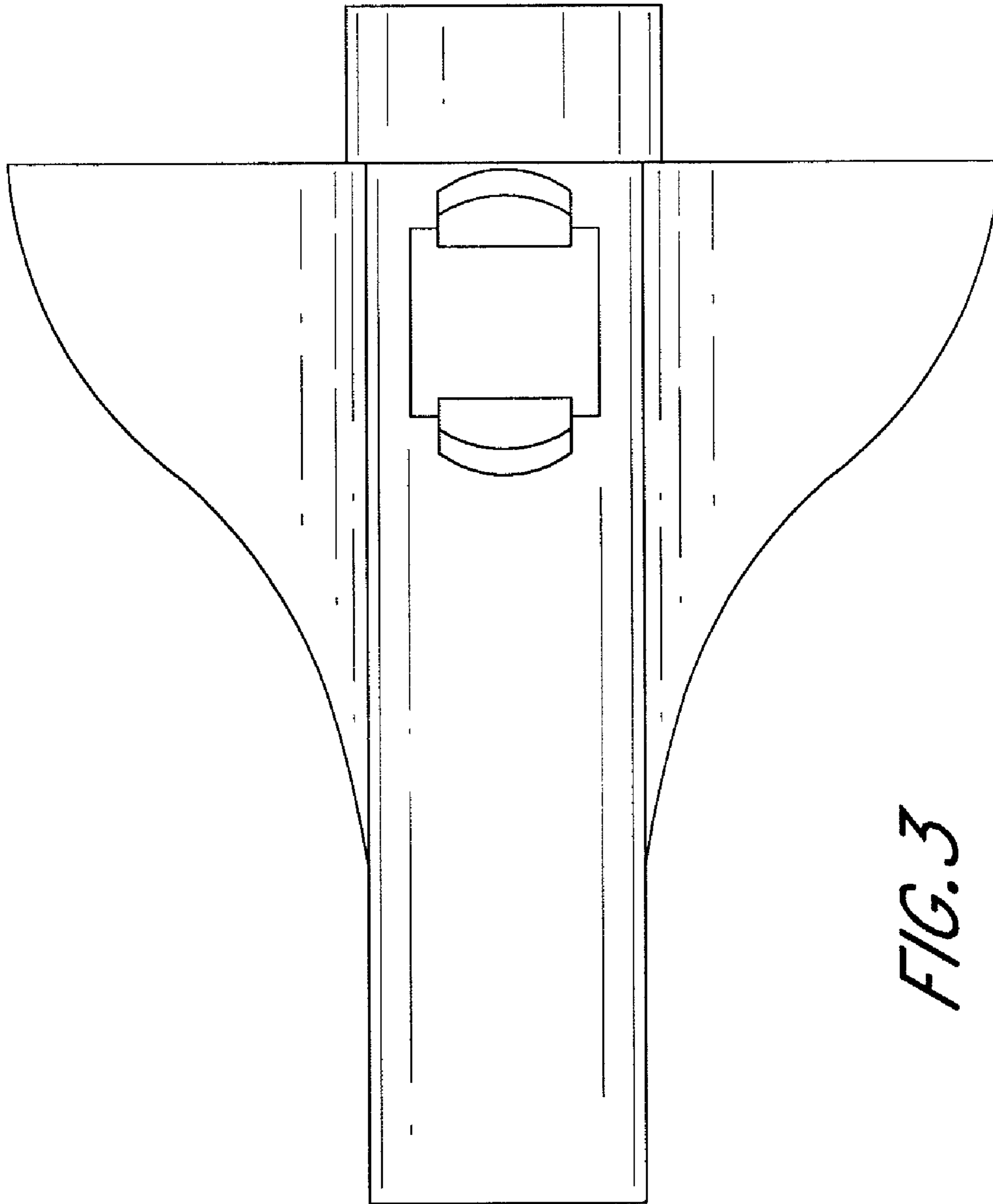


FIG. 3

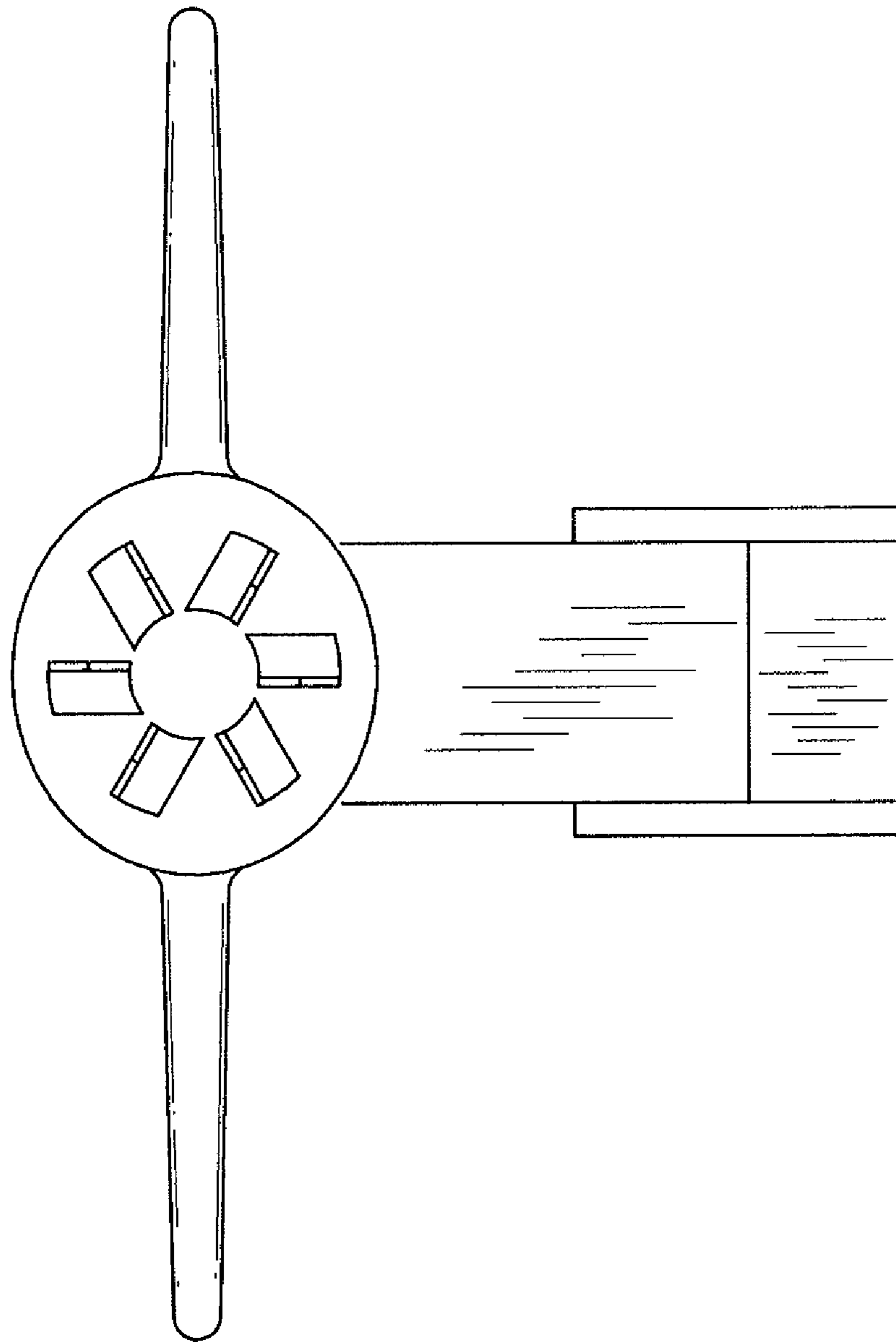


FIG. 4

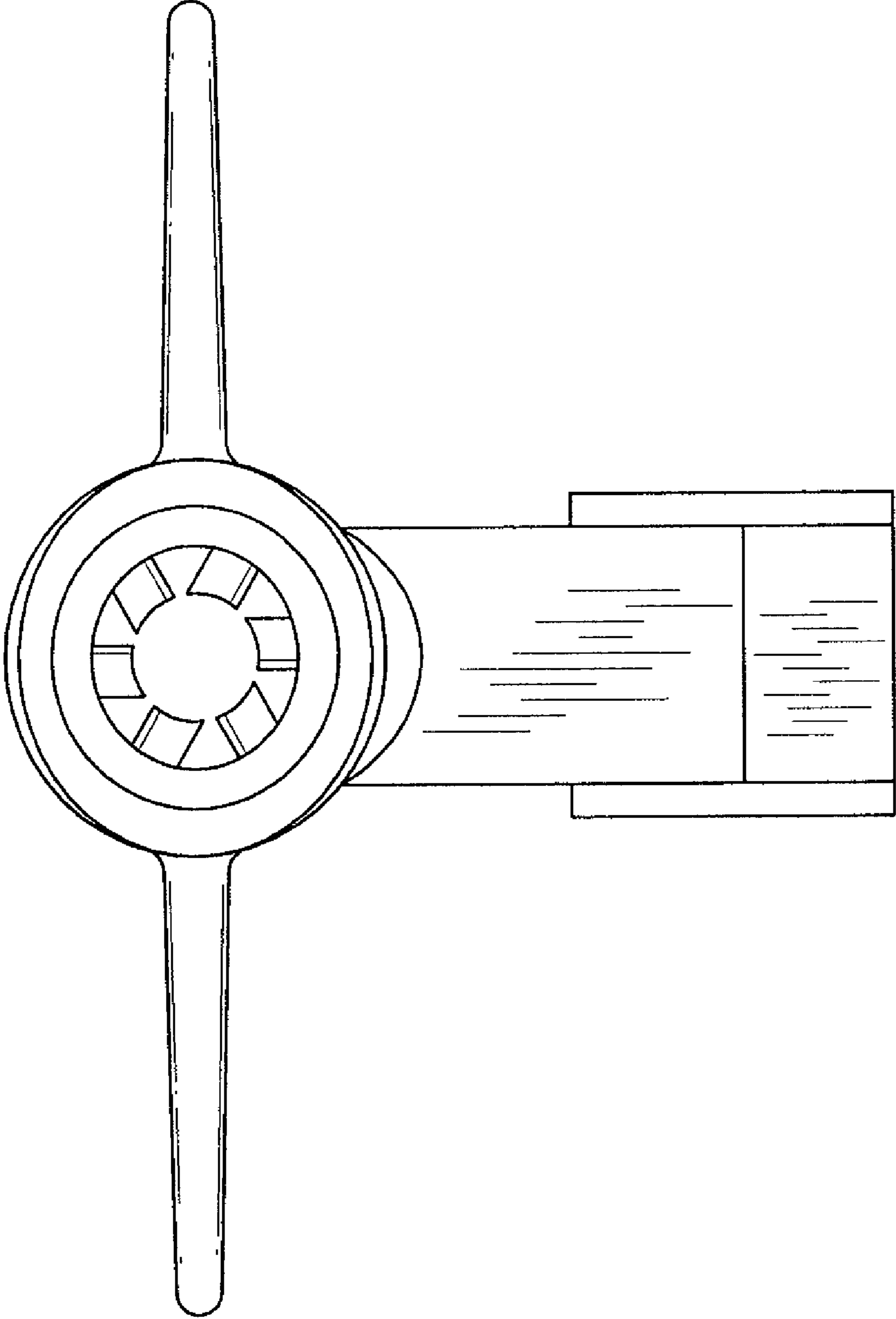


FIG. 5

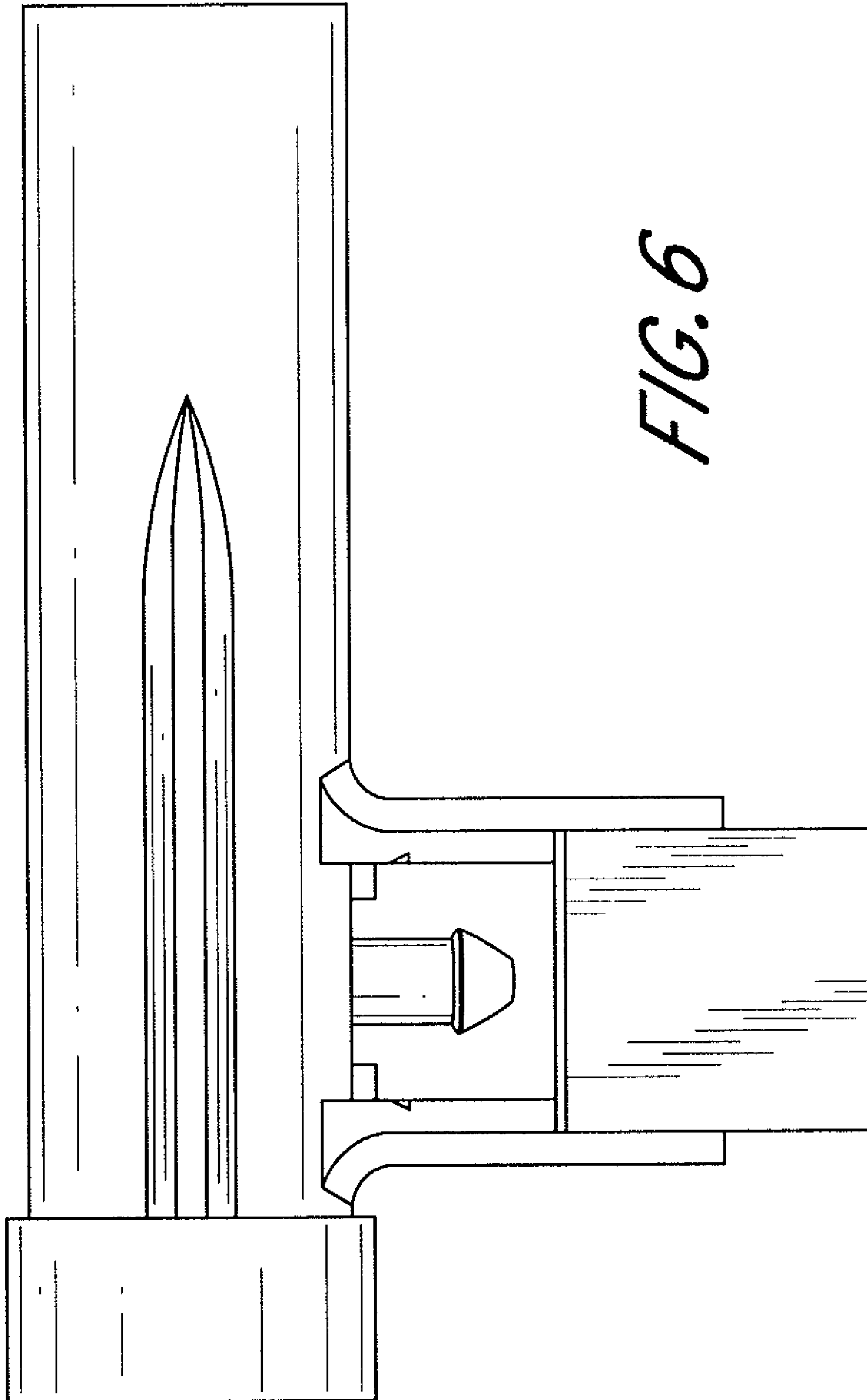


FIG. 6

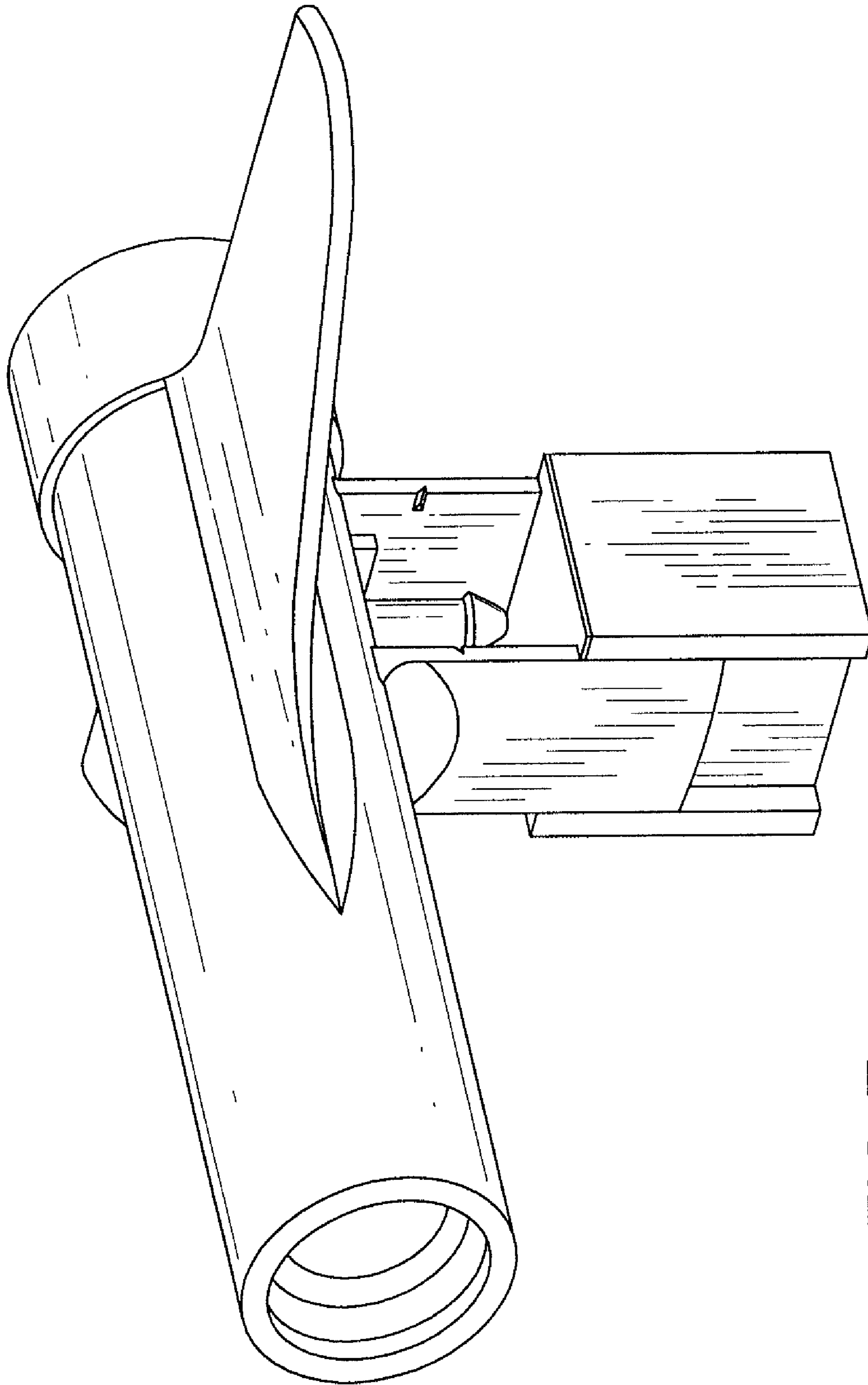


FIG. 7