



(12) **United States Design Patent**
Butler et al.

(10) **Patent No.:** **US D590,055 S**
(45) **Date of Patent:** **** Apr. 7, 2009**

(54) **EAR PLUG**

7,464,786 B2 * 12/2008 Falco et al. 181/135

(75) Inventors: **James R. Butler**, Niles, MI (US); **John J. Brown**, Buchanan, MI (US)

FOREIGN PATENT DOCUMENTS
WO WO 2005/070070 A2 1/2005

(73) Assignee: **Just Plugs, LLC**, Niles, MI (US)

* cited by examiner

(**) Term: **14 Years**

Primary Examiner—Ian Simmons
Assistant Examiner—Anna J Burmeister
(74) *Attorney, Agent, or Firm*—Botkin & Hall, LLP

(21) Appl. No.: **29/317,336**

(57) **CLAIM**

(22) Filed: **Apr. 28, 2008**

The ornamental design for an ear plug, as shown and described.

(51) **LOC (9) Cl.** **24-04**

(52) **U.S. Cl.** **D24/106**

(58) **Field of Classification Search** D24/106,
D24/173, 174; 128/864; 181/129, 130, 135;
D29/112

DESCRIPTION

See application file for complete search history.

FIG. 1 is a perspective view of a first embodiment of the ear plug showing a front side;

FIG. 2 is a top view of the ear plug shown in FIG. 1;

FIG. 3 is a bottom view of the ear plug shown in FIG. 1;

FIG. 4 is a side view of the ear plug shown in FIG. 1;

FIG. 5 is another side view of the ear plug shown in FIG. 1;

FIG. 6 is a front view of the ear plug shown in FIG. 1; and,

FIG. 7 is a rear view of ear plug shown in FIG. 1.

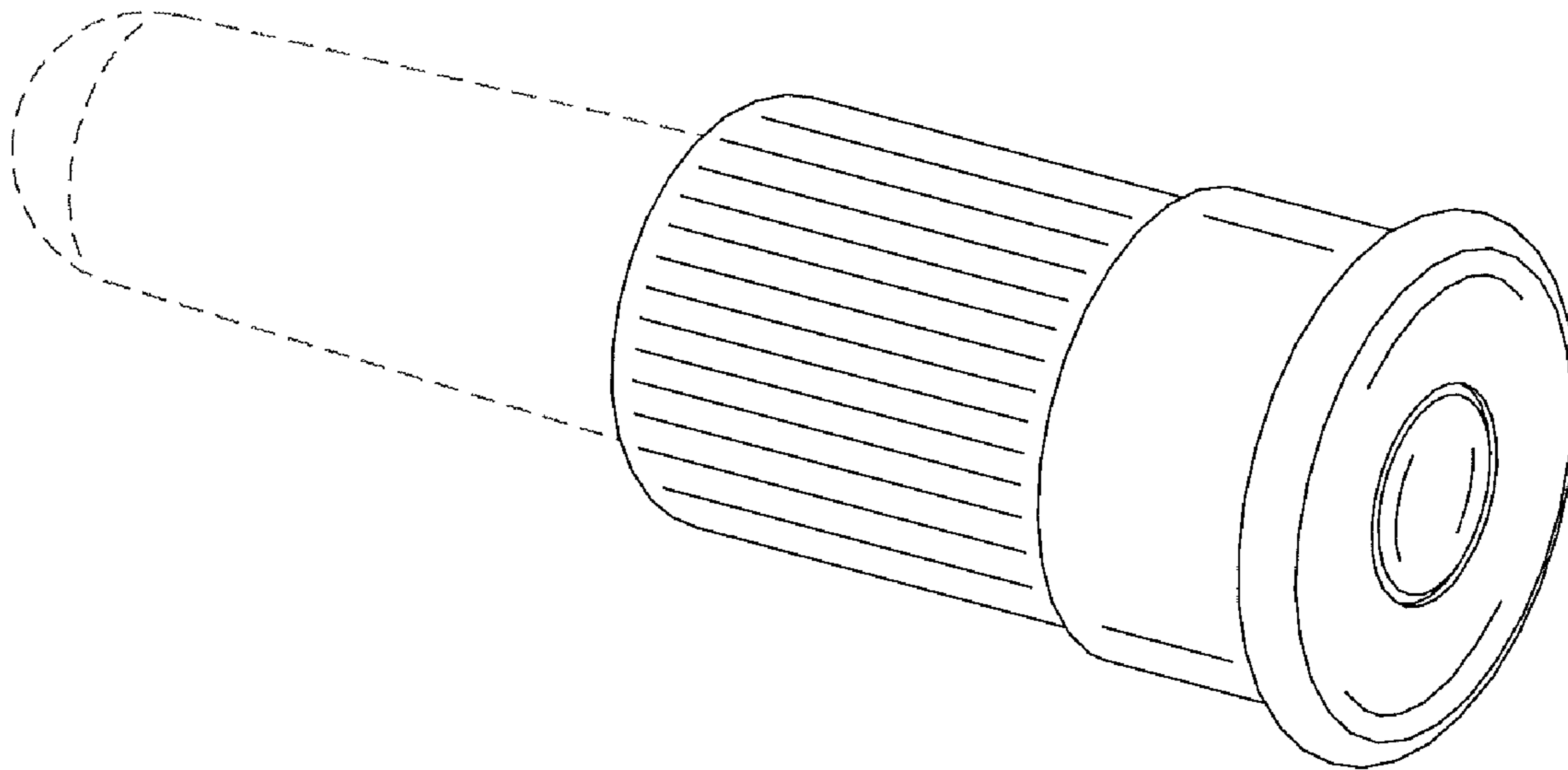
The broken line foam portion is shown for illustrative purposes and forms no part of the claimed design.

(56) **References Cited**

U.S. PATENT DOCUMENTS

3,259,128	A *	7/1966	Leight	128/865
D242,743	S *	12/1976	Leight	D24/106
4,314,553	A *	2/1982	Westerdal	128/864
4,774,938	A *	10/1988	Leight	128/864
5,904,143	A *	5/1999	Magidson et al.	128/864
6,129,175	A *	10/2000	Tutor et al.	181/135
7,107,993	B2 *	9/2006	Magidson	128/864
7,264,081	B2 *	9/2007	Bruck	181/135

1 Claim, 3 Drawing Sheets



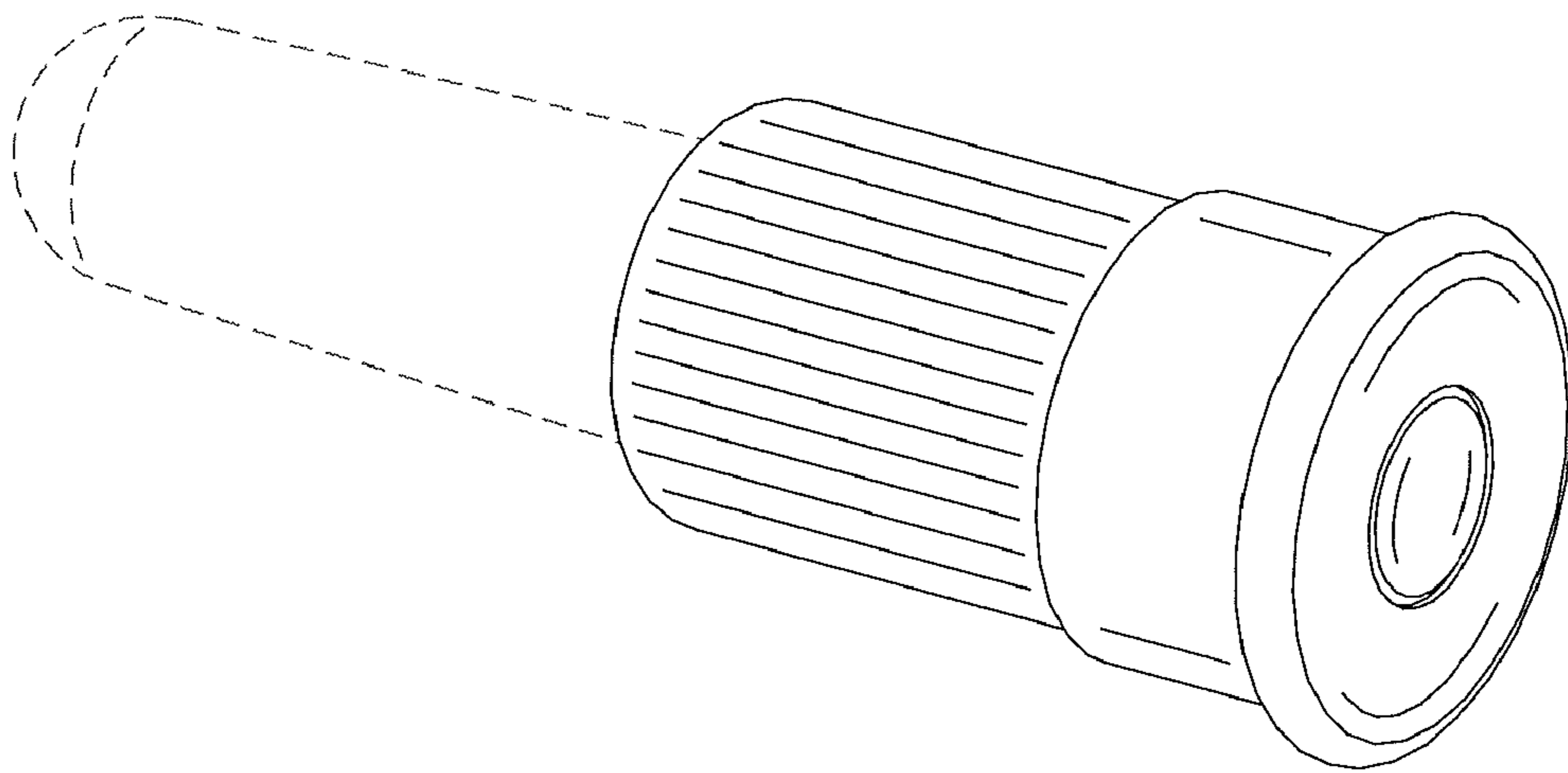


FIG. 1

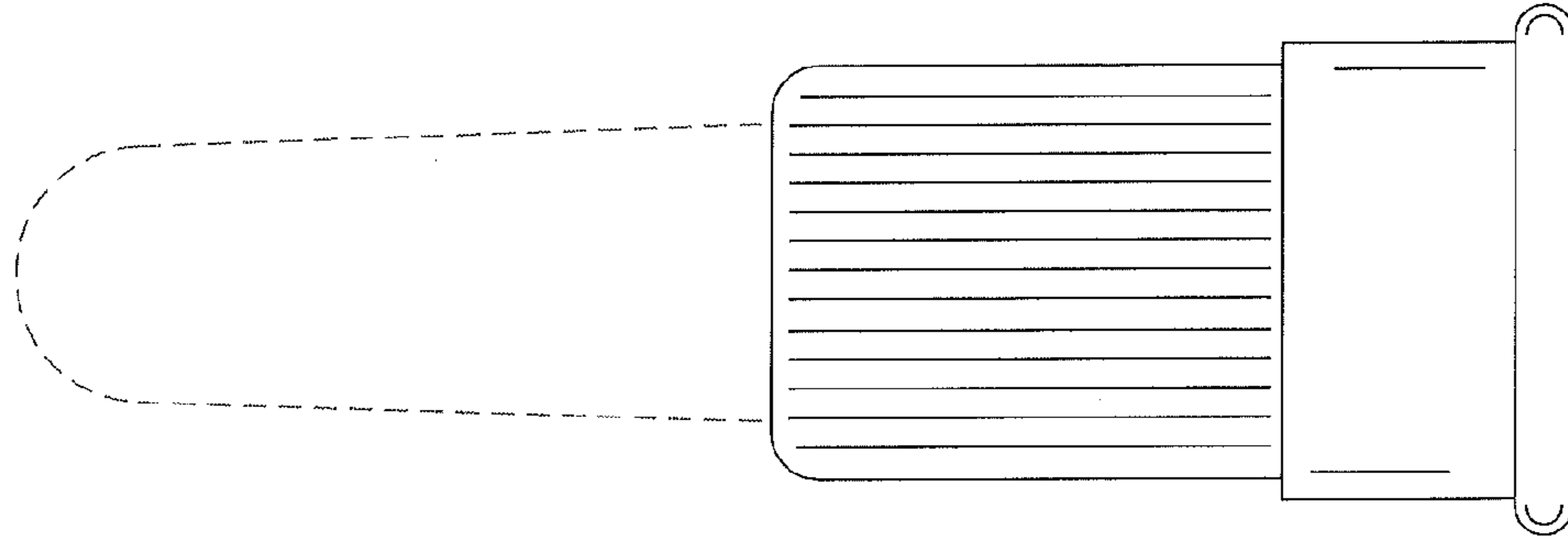


FIG. 4

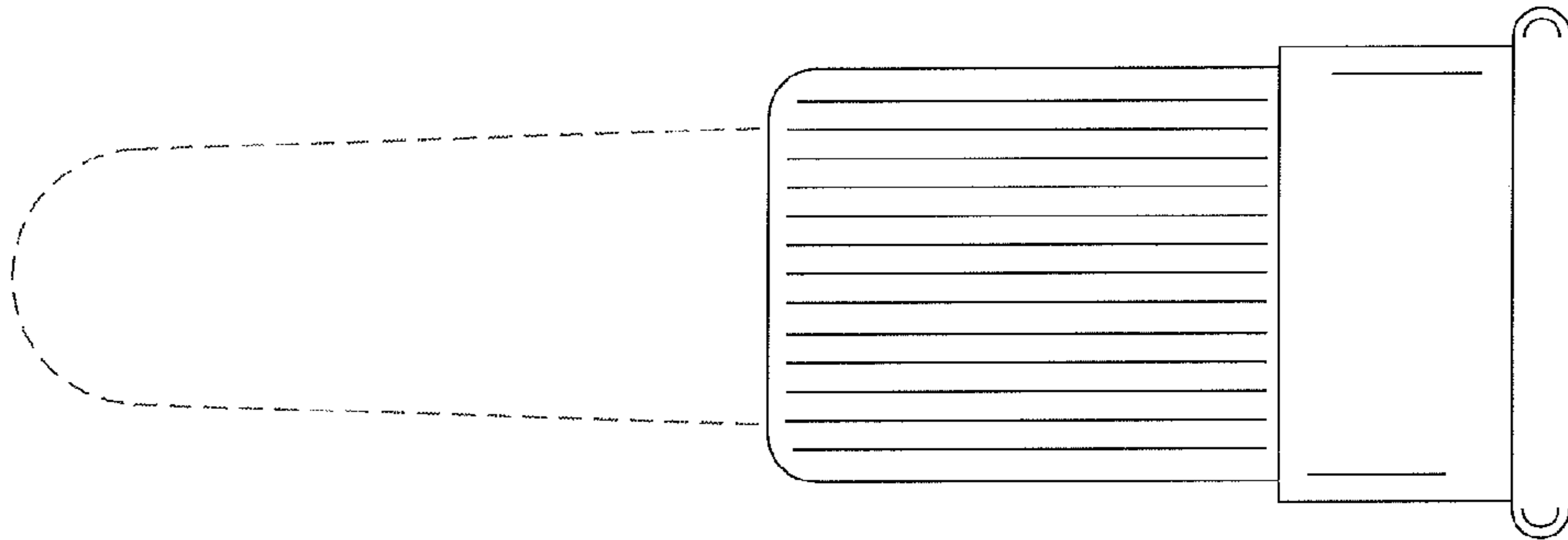


FIG. 2

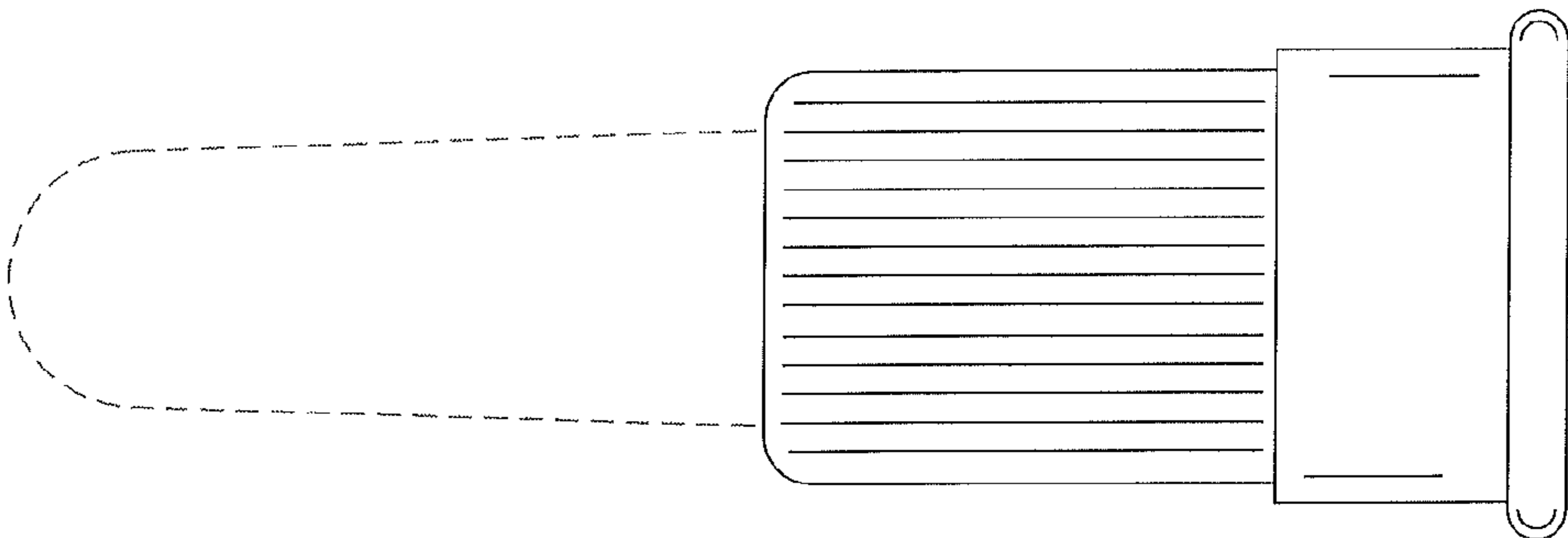


FIG. 3

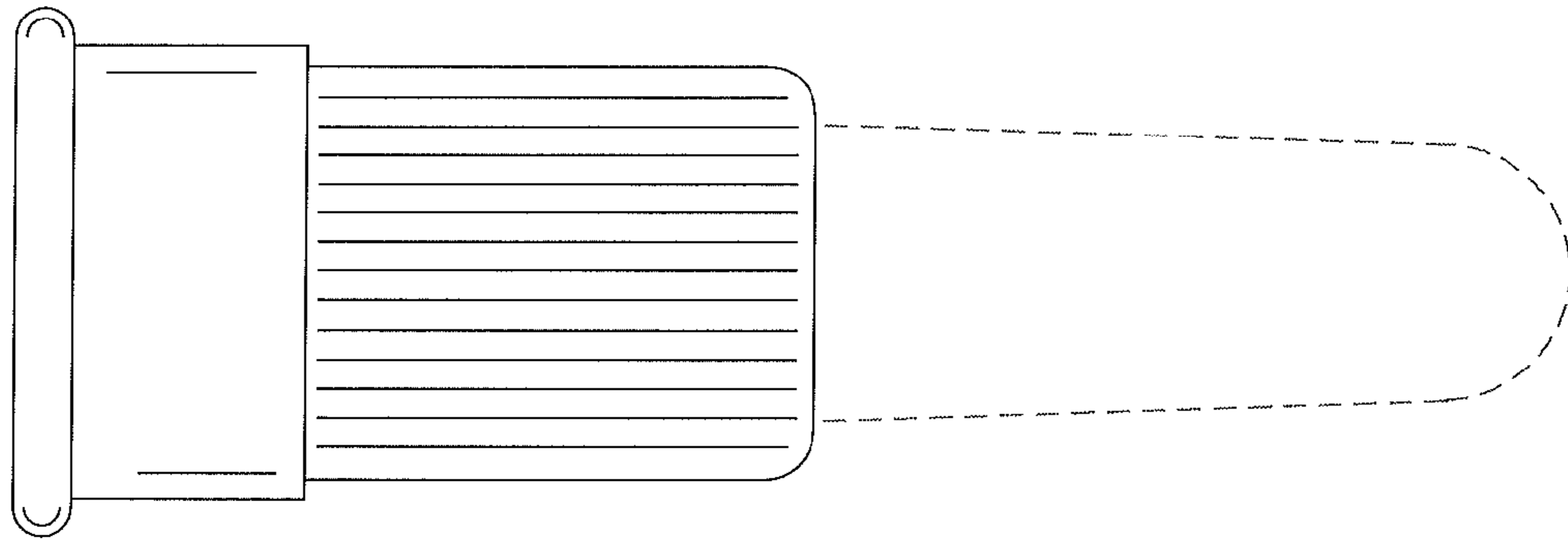


FIG. 5

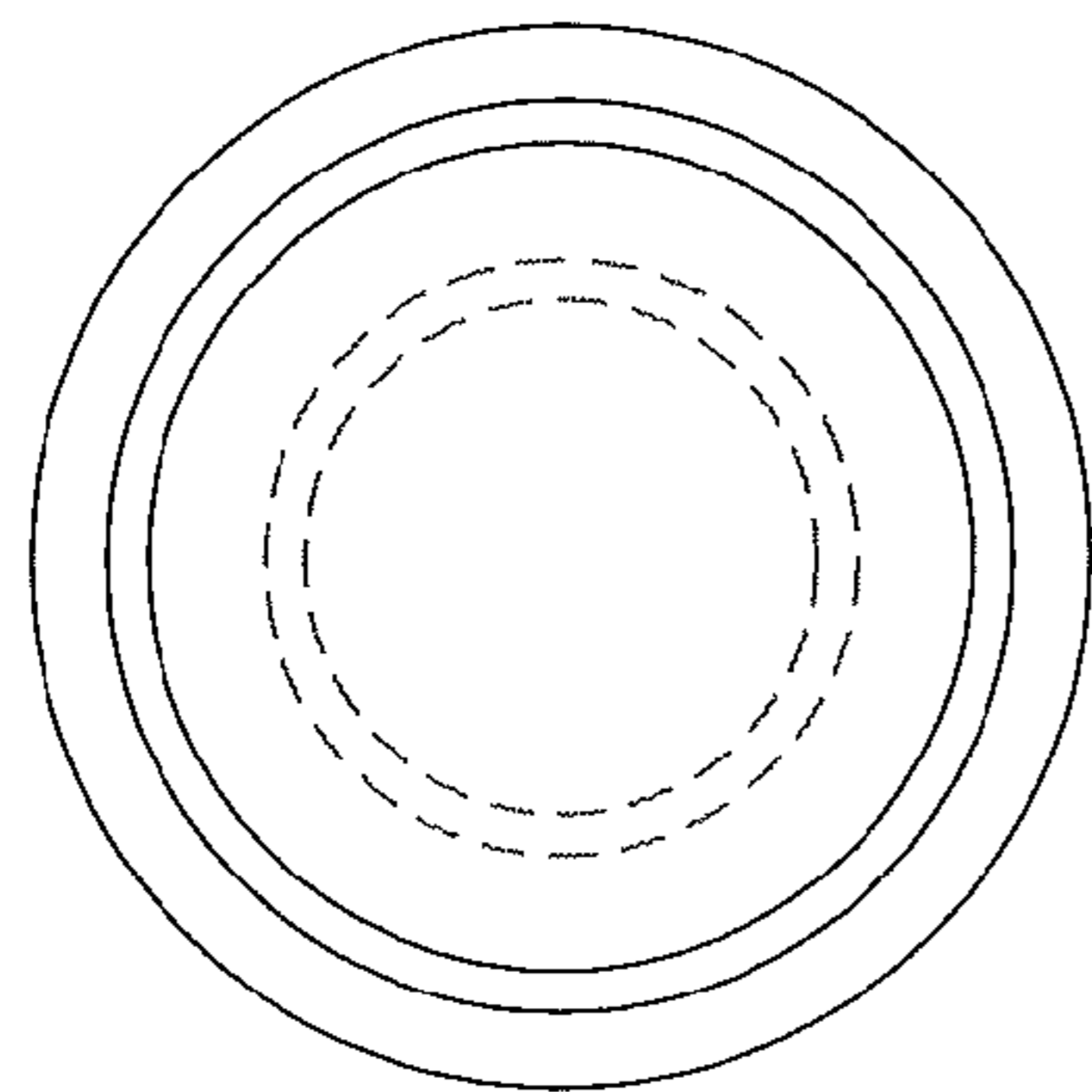


FIG. 6

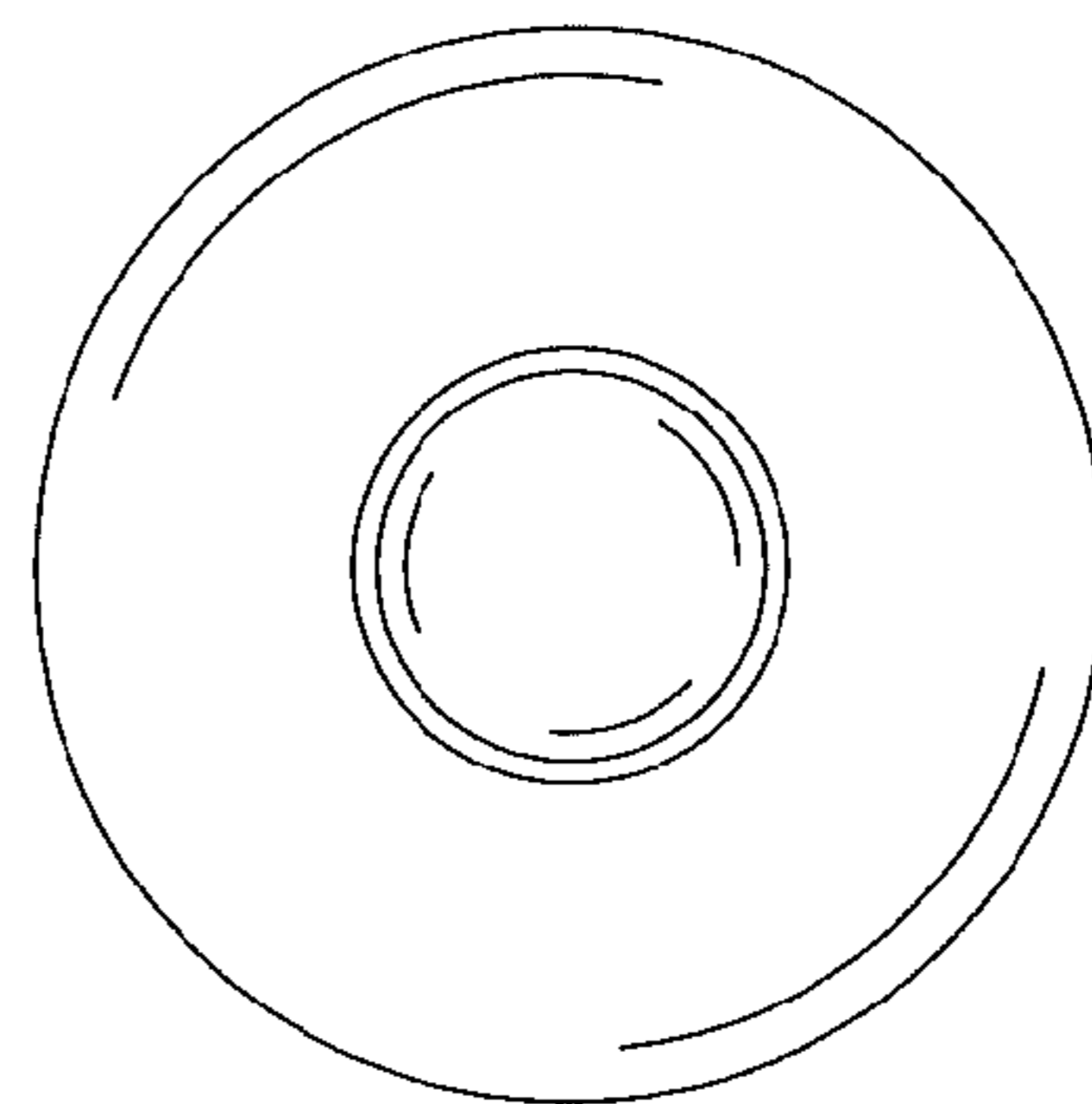


FIG. 7