



US00D590052S

(12) **United States Design Patent**
Murphy

(10) **Patent No.:** **US D590,052 S**

(45) **Date of Patent:** **** Apr. 7, 2009**

(54) **SHOWER ENCLOSURE**

(75) Inventor: **Peter Murphy**, Glenfield (NZ)

(73) Assignee: **Kohler New Zealand Limited**,
Glenfield (NZ)

(**) Term: **14 Years**

(21) Appl. No.: **29/283,542**

(22) Filed: **Aug. 16, 2007**

(30) **Foreign Application Priority Data**

Feb. 16, 2007 (NZ) 408722

(51) **LOC (9) Cl.** **23-02**

(52) **U.S. Cl.** **D23/283**

(58) **Field of Classification Search** D23/275,
D23/273, 279, 283, 303-306; 4/552, 556-557,
4/596-597, 607, 610, 900

See application file for complete search history.

(56) **References Cited**

U.S. PATENT DOCUMENTS

- 4,882,795 A * 11/1989 Baus 4/607
- D407,147 S 3/1999 Formgren
- D449,874 S * 10/2001 Tavivian D23/306
- D453,210 S * 1/2002 Tavivian D23/306
- D495,784 S * 9/2004 Helmsie et al. D23/283
- D498,829 S * 11/2004 Helmsie et al. D23/283

OTHER PUBLICATIONS

Kohler Co. Memoirs shower receptor with rear drain, 38⁵/₈×38⁵/₈".
Model No. K-9569. Kohler Co. online catalog. Copyright 2007
Kohler Co.

Kohler Co. Memoirs neo-angle shower receptor, 42"×42". Model No.
K-9542. Kohler Co. online catalog. Copyright 2007 Kohler Co.

Kohler Co. "Aventura Shower and Soak Whirlpool". Model No.
K-1545/46/47. Kohler catalog.

Kohler Co. Arica round shower enclosure with Crystal Clear glass,
36"×36"×72". Kohler Co. online catalog. Copyright 2007 Kohler Co.

* cited by examiner

Primary Examiner—Robert A Delehanty

(74) *Attorney, Agent, or Firm*—Quarles & Brady LLP

(57) **CLAIM**

The ornamental design for a shower enclosure, as shown and
described.

DESCRIPTION

In a preferred embodiment, the nature of this product is as an
enclosure for a shower used to wash body parts.

FIG. 1 is a top, right, front perspective view of a shower base
of my new design;

FIG. 2 is a top plan view thereof;

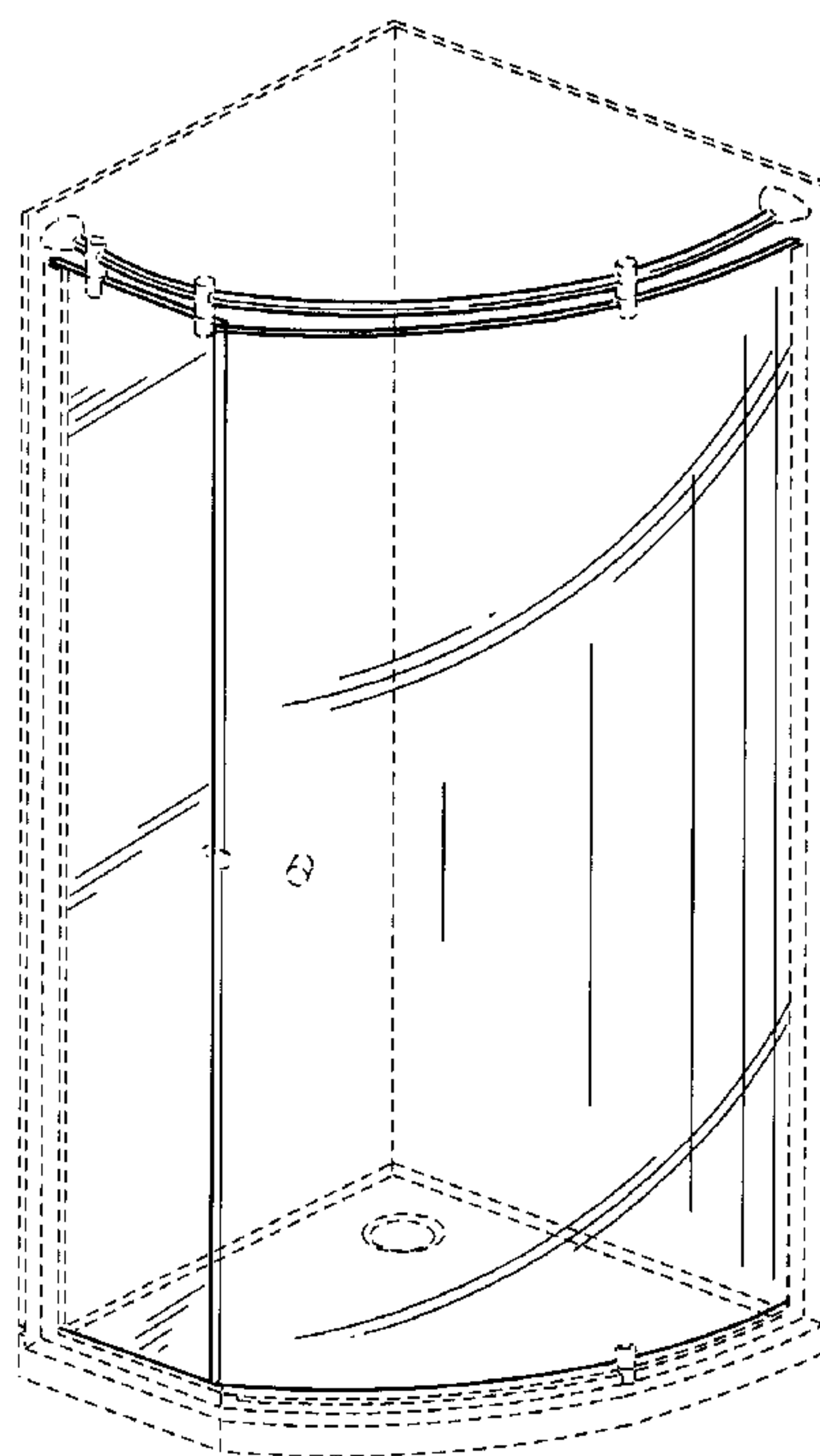
FIG. 3 is a front elevational view thereof;

FIG. 4 is a right side elevational view thereof; and,

FIG. 5 is a top plan view of a shower base according to another
embodiment of thereof.

The broken line representations in the figures are for the
purpose of illustration only, and form no part of the claimed
design.

1 Claim, 5 Drawing Sheets



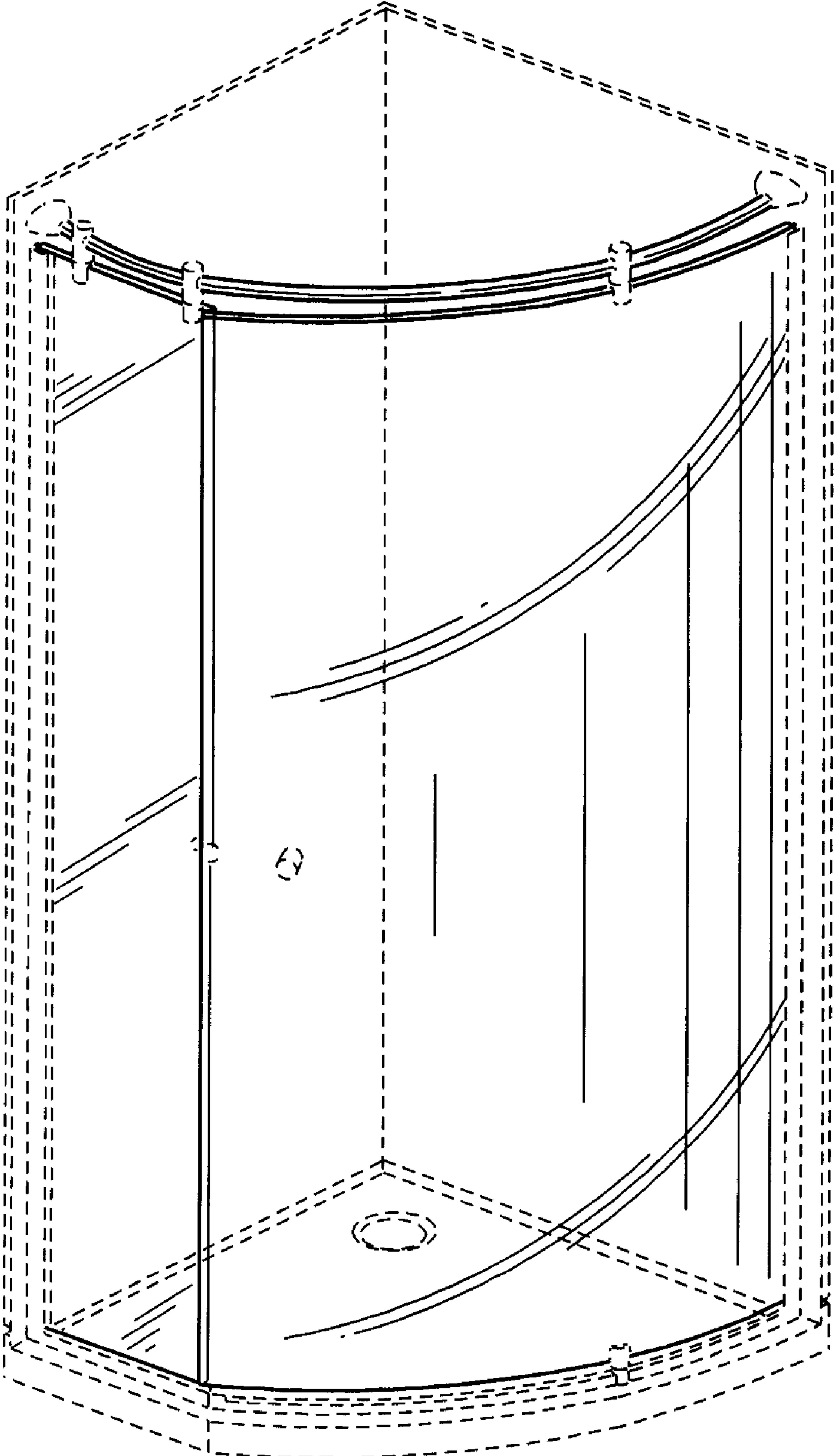


FIG. 1

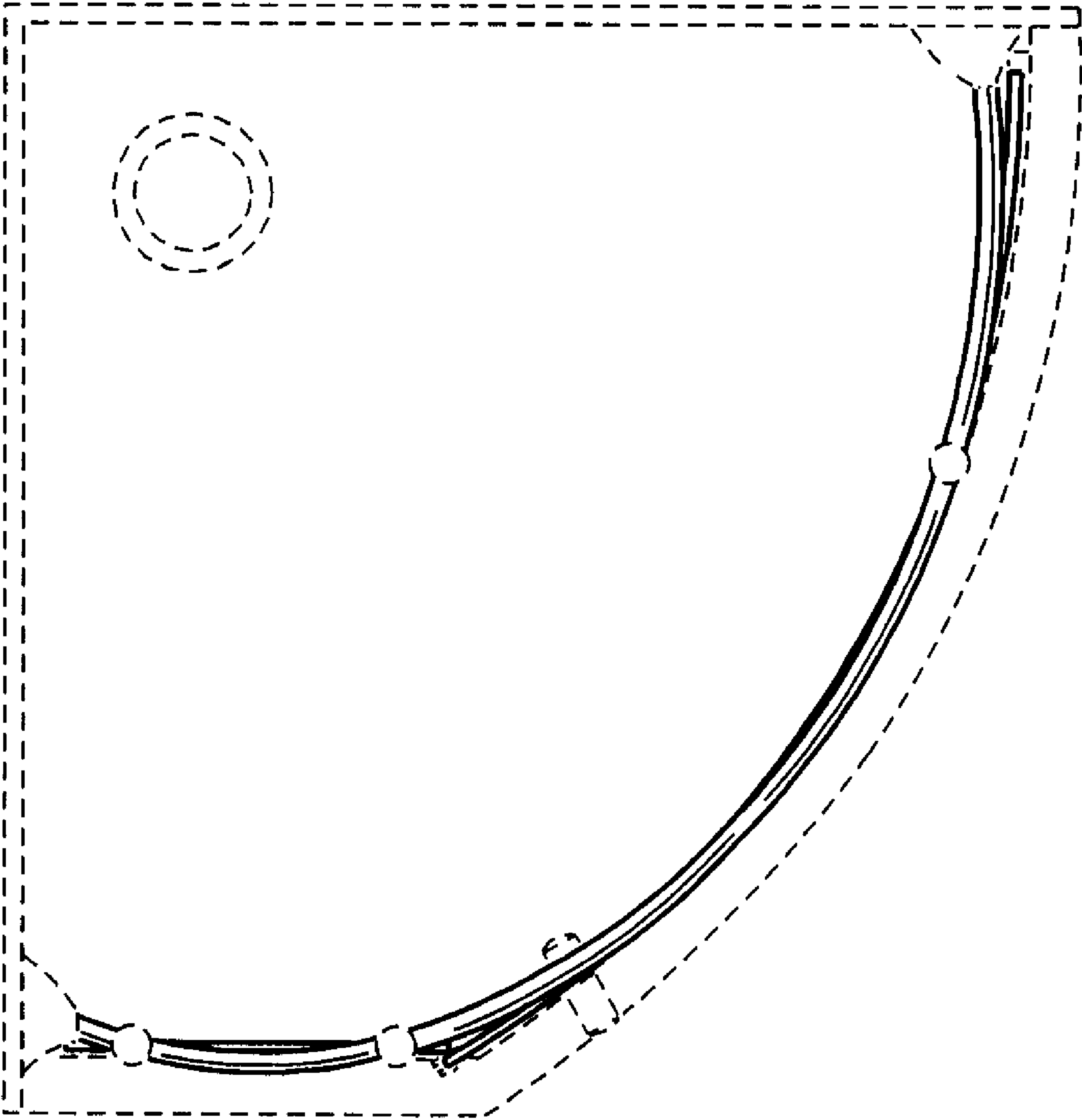


FIG. 2

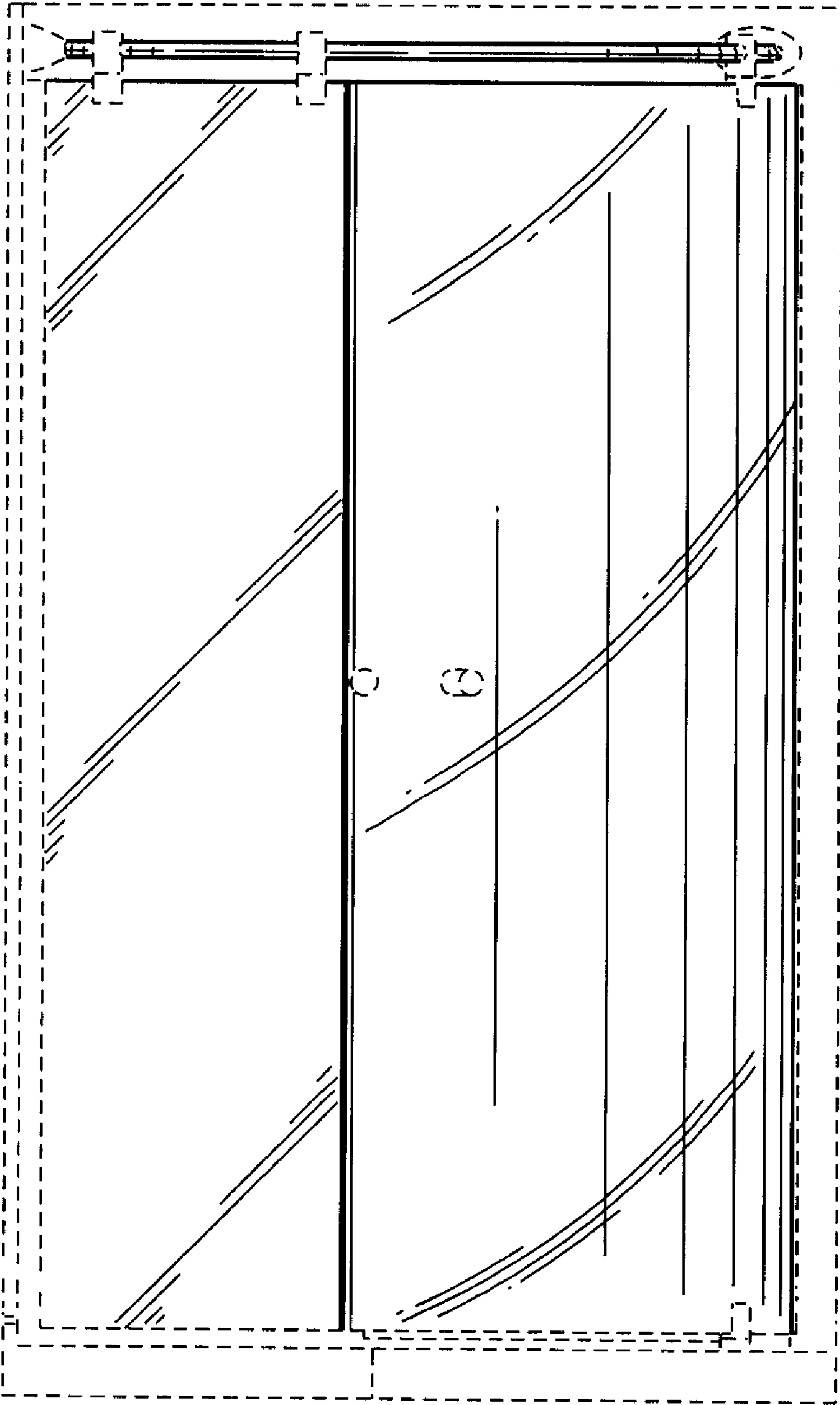


FIG. 3

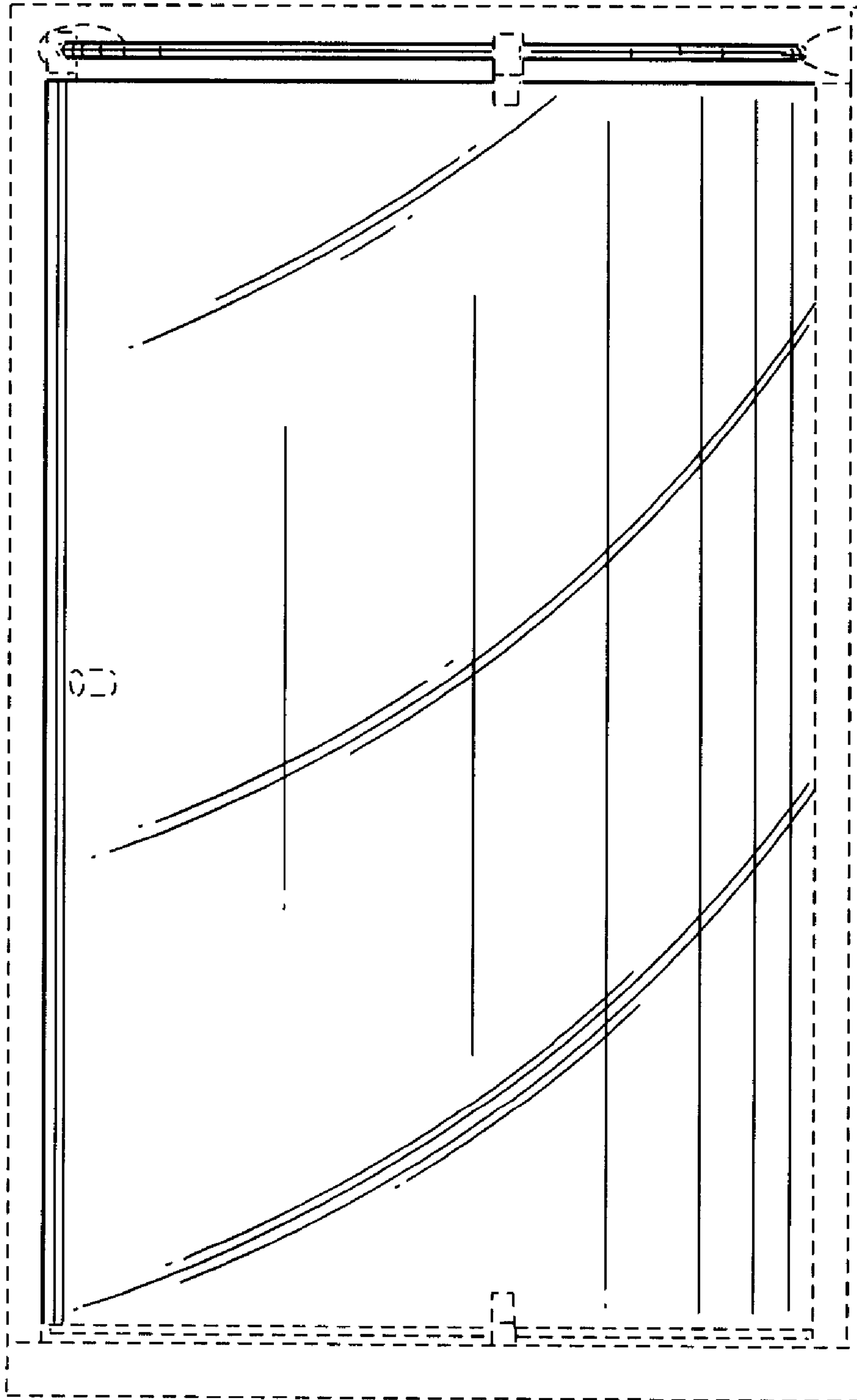


FIG. 4

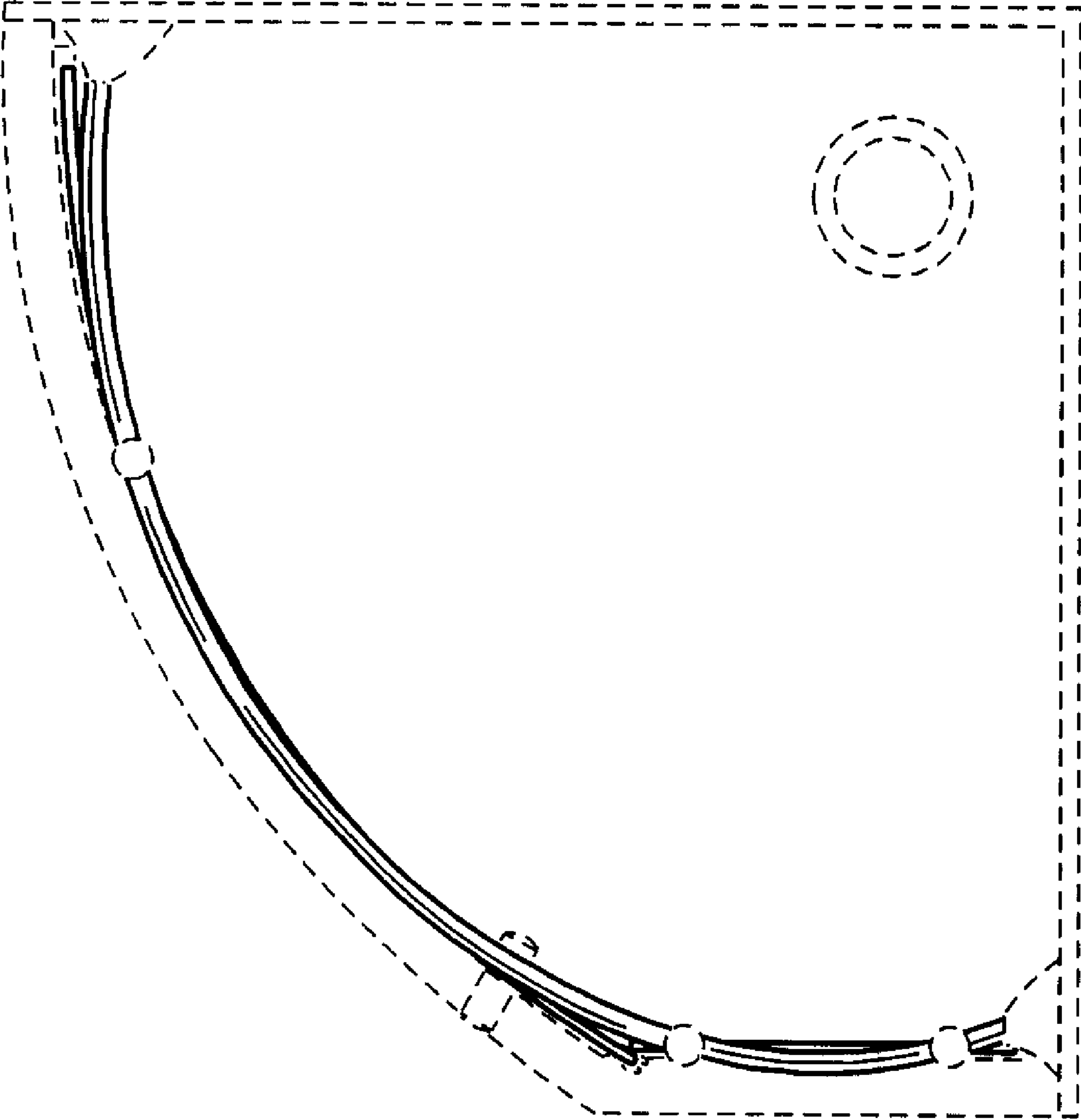


FIG. 5