



US00D590050S

(12) **United States Design Patent**
Miyamoto

(10) **Patent No.:** **US D590,050 S**

(45) **Date of Patent:** **** Apr. 7, 2009**

(54) **FAUCET AND HANDLE SET**

D541,906 S * 5/2007 Qing D23/238
D579,520 S * 10/2008 Chenesseau D23/238

(75) Inventor: **Takeaki Miyamoto**, Kitakyusyu (JP)

* cited by examiner

(73) Assignee: **Toto Ltd.**, Kitakyusyu-shi (JP)

Primary Examiner—Robert A Delehanty

(**) Term: **14 Years**

(74) *Attorney, Agent, or Firm*—Birch, Stewart, Kolasch & Birch, LLP

(21) Appl. No.: **29/317,349**

(57) **CLAIM**

(22) Filed: **Apr. 28, 2008**

The ornamental design for a faucet and handle set, as shown and described.

(30) **Foreign Application Priority Data**

Mar. 3, 2008 (JP) 2008-005017

DESCRIPTION

(51) **LOC (9) Cl.** **23-01**

FIG. 1 is a perspective view of the top, front and right side of a faucet and handle set showing my new design;

(52) **U.S. Cl.** **D23/255**

FIG. 2 is front view thereof;

(58) **Field of Classification Search** D23/238–243,

FIG. 3 is a rear view thereof;

D23/255–257; 4/675–678; 137/801; D8/300,
D8/307–308, 321; 16/110.1

FIG. 4 is a top plan view thereof;

See application file for complete search history.

FIG. 5 is a bottom view thereof; and,

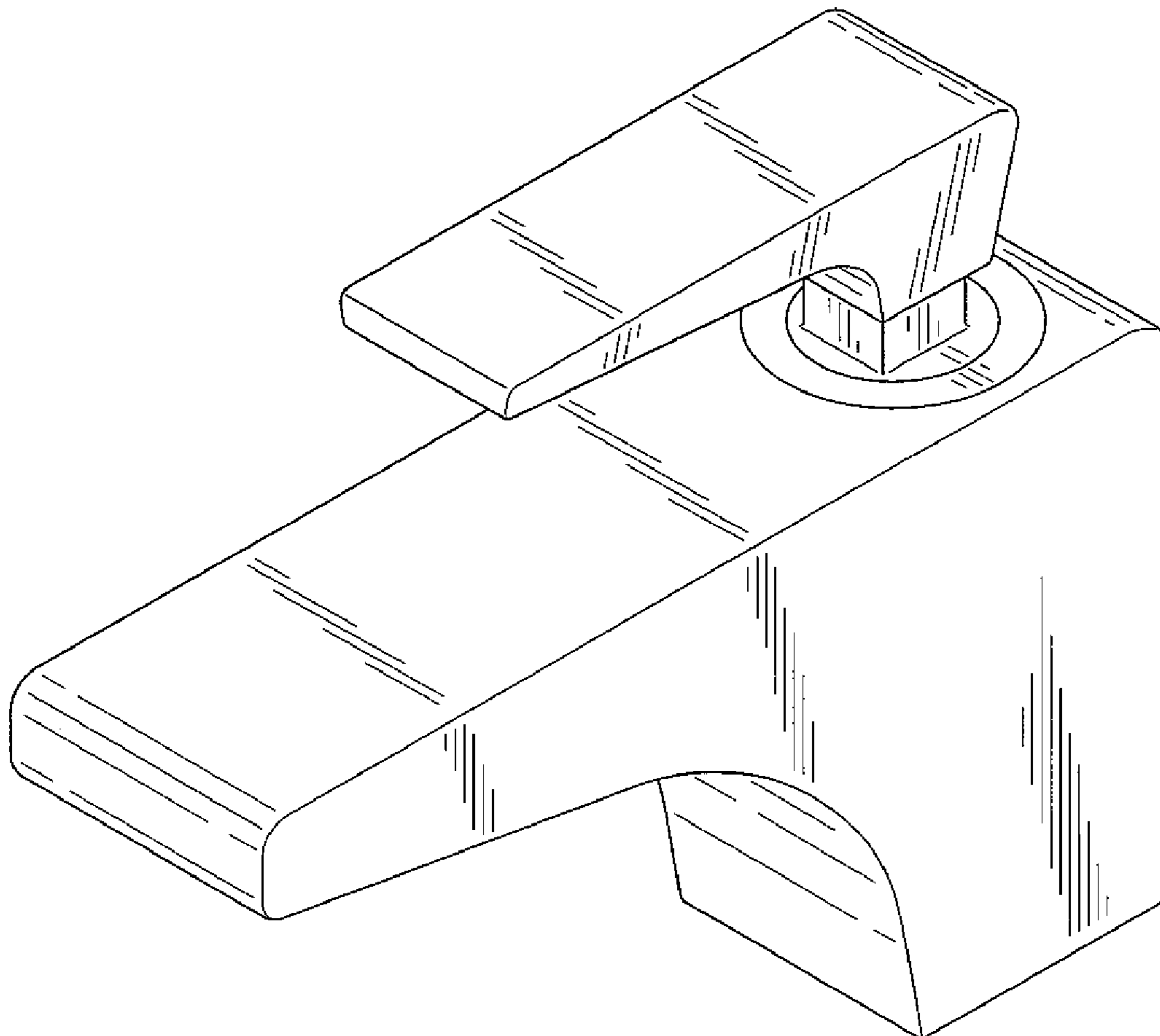
(56) **References Cited**

FIG. 6 is a right side view thereof, the left side view is mirror image thereof.

U.S. PATENT DOCUMENTS

D517,169 S * 3/2006 Ogata et al. D23/238

1 Claim, 4 Drawing Sheets



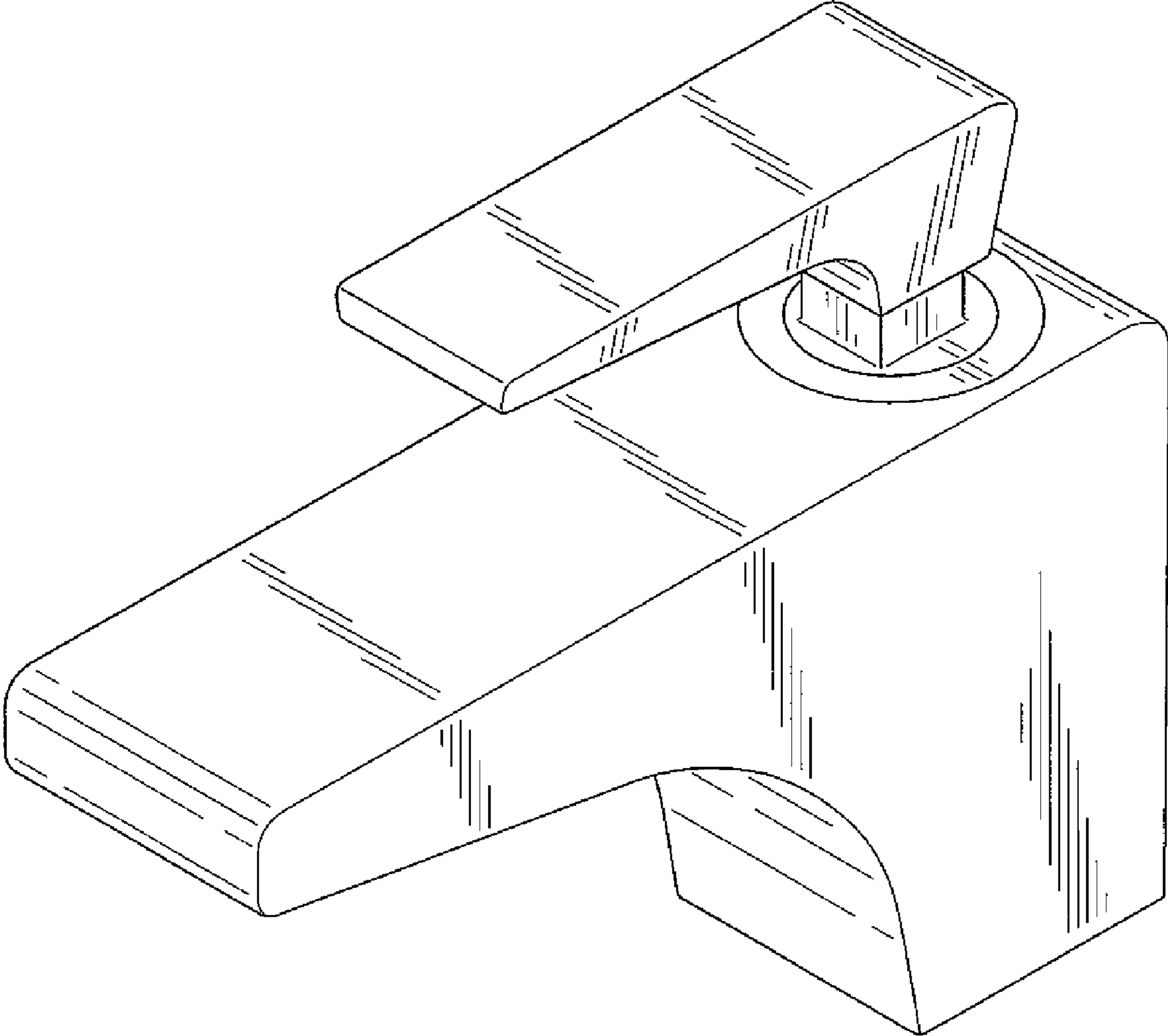


FIG. 1

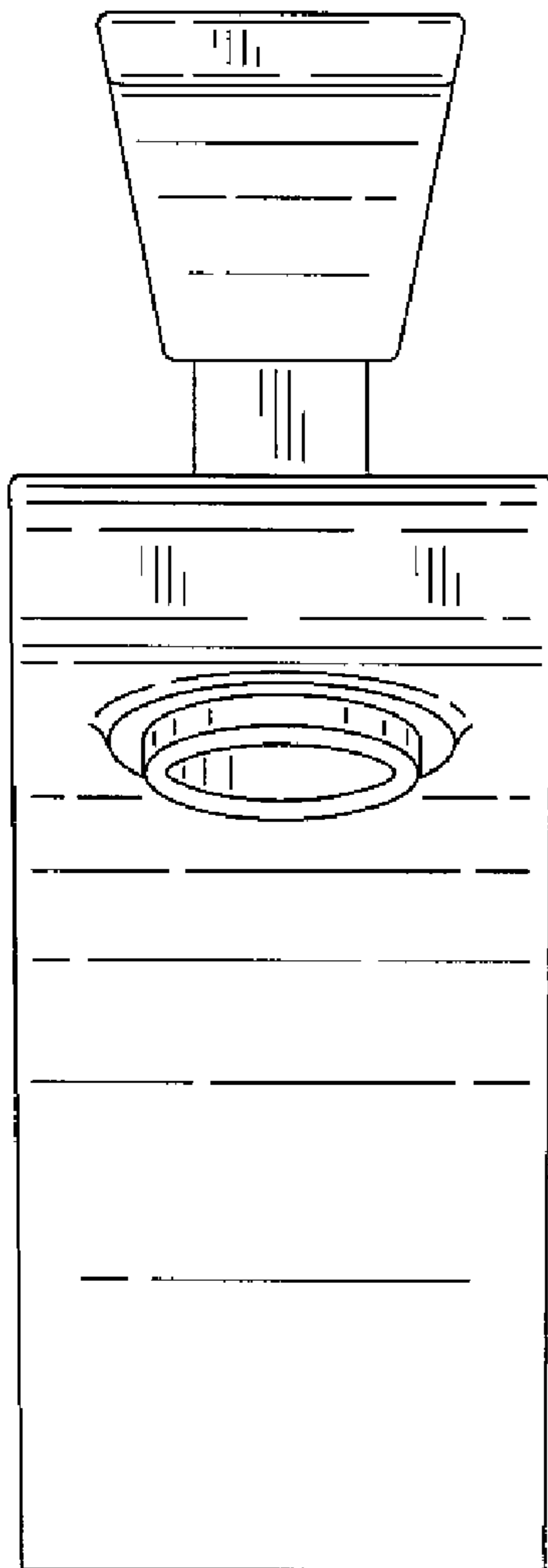


FIG. 2

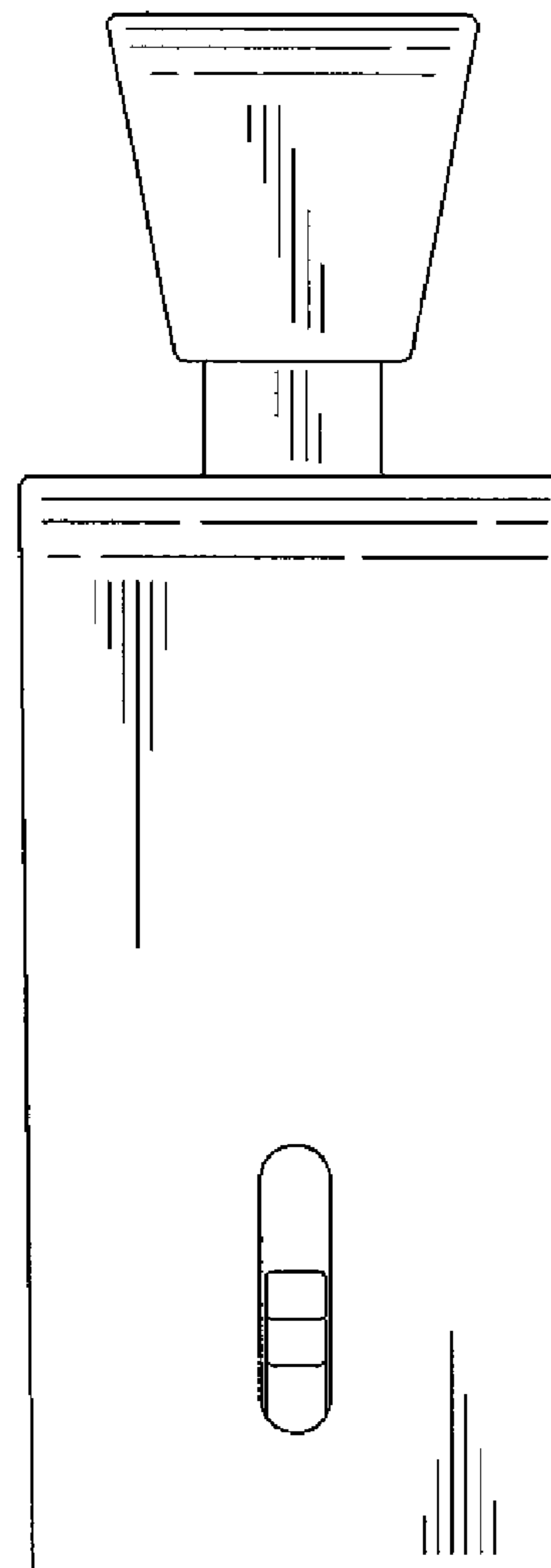


FIG. 3

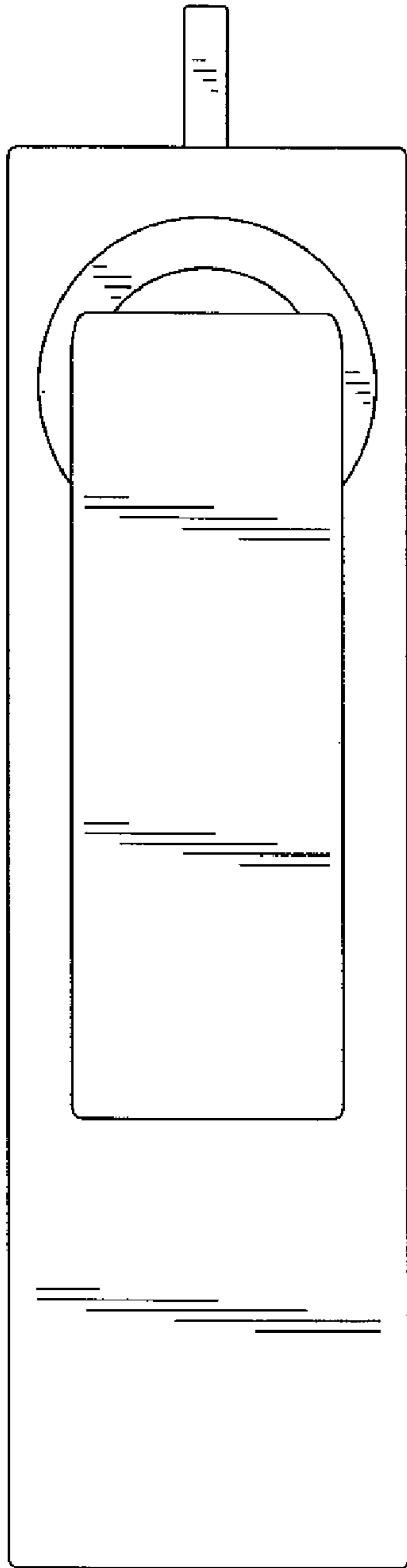


FIG. 4

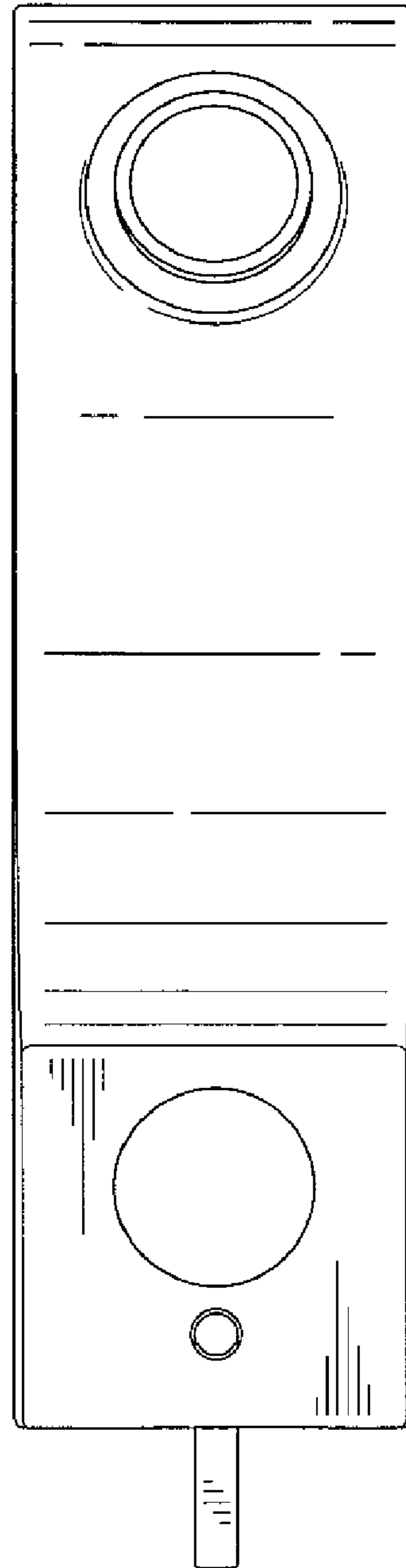


FIG. 5

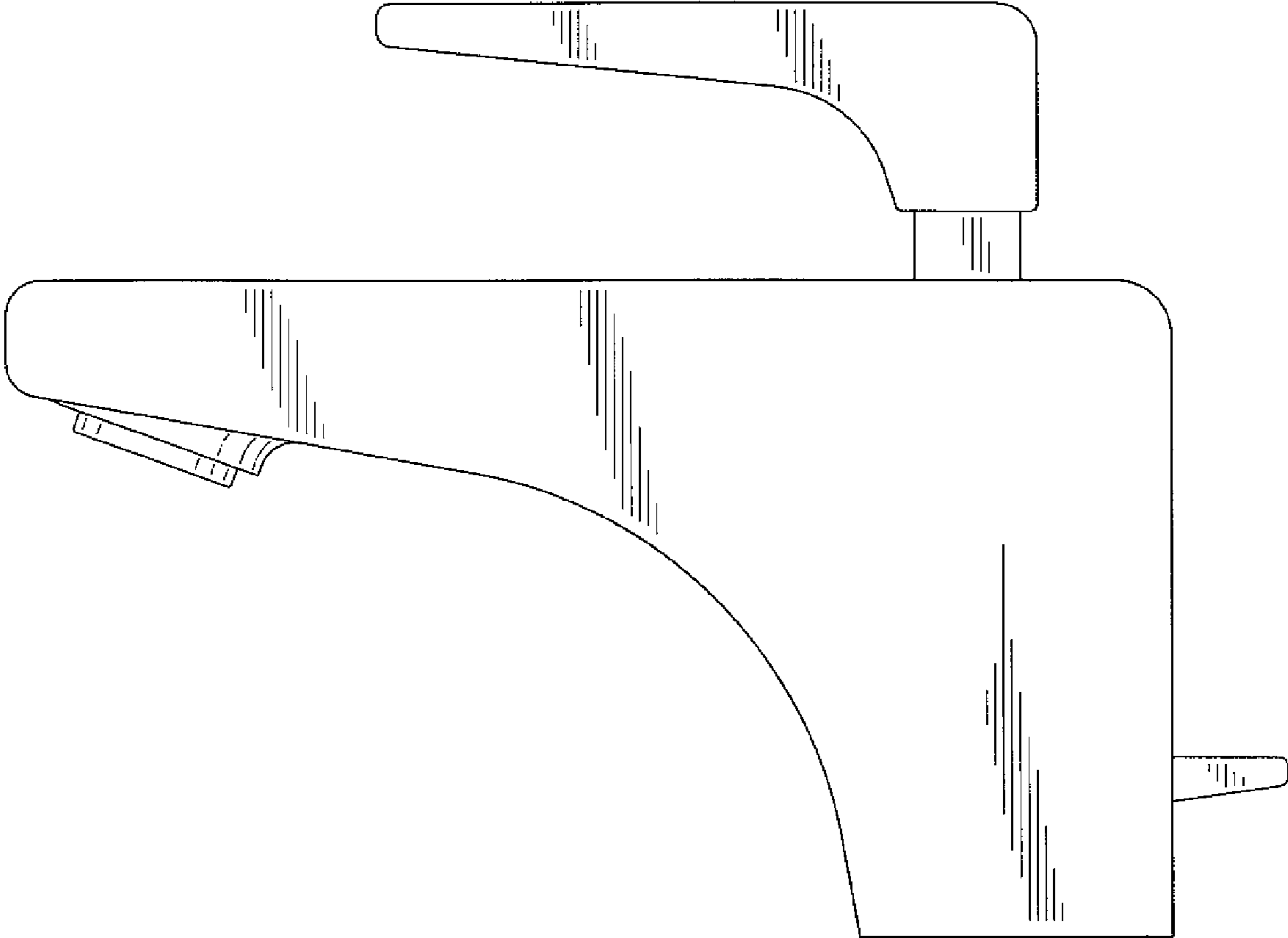


FIG. 6