



US00D590047S

(12) **United States Design Patent**  
**Lawyer**

(10) **Patent No.:** **US D590,047 S**

(45) **Date of Patent:** **\*\* Apr. 7, 2009**

(54) **IRRIGATION SPRINKLER WEIGHT**

(75) Inventor: **Jerry D. Lawyer**, Clermont, FL (US)

(73) Assignee: **Senninger Irrigation Inc.**, Clermont, FL (US)

(\*\*) Term: **14 Years**

(21) Appl. No.: **29/308,772**

(22) Filed: **Jul. 7, 2008**

(51) **LOC (9) Cl.** ..... **23-01**

(52) **U.S. Cl.** ..... **D23/214; D23/227**

(58) **Field of Classification Search** ..... D23/213,  
D23/214, 227, 201; D11/143, 152, 153;  
239/600, 280.5, 273, 288

See application file for complete search history.

(56) **References Cited**

**U.S. PATENT DOCUMENTS**

3,018,057 A *	1/1962	Anderson	.....	239/201
D260,134 S *	8/1981	Bercu	.....	D8/358
D302,403 S *	7/1989	Heras et al.	.....	D11/143
D397,315 S *	8/1998	Oglesby	.....	D11/152
5,918,814 A *	7/1999	Hough	.....	239/288

5,931,385 A *	8/1999	Miller	.....	239/288
D470,566 S *	2/2003	Sciulli et al.	.....	D23/213
D480,783 S *	10/2003	Sciulli et al.	.....	D23/213
6,764,025 B1 *	7/2004	Espina	.....	239/288
D516,670 S *	3/2006	Aselton	.....	D23/214

\* cited by examiner

*Primary Examiner*—Robin V Webster

(74) *Attorney, Agent, or Firm*—William M. Hobby, III

(57) **CLAIM**

The ornamental design for an irrigation sprinkler weight, as shown and described.

**DESCRIPTION**

FIG. 1 is a top and side perspective view of my new irrigation sprinkler weight;

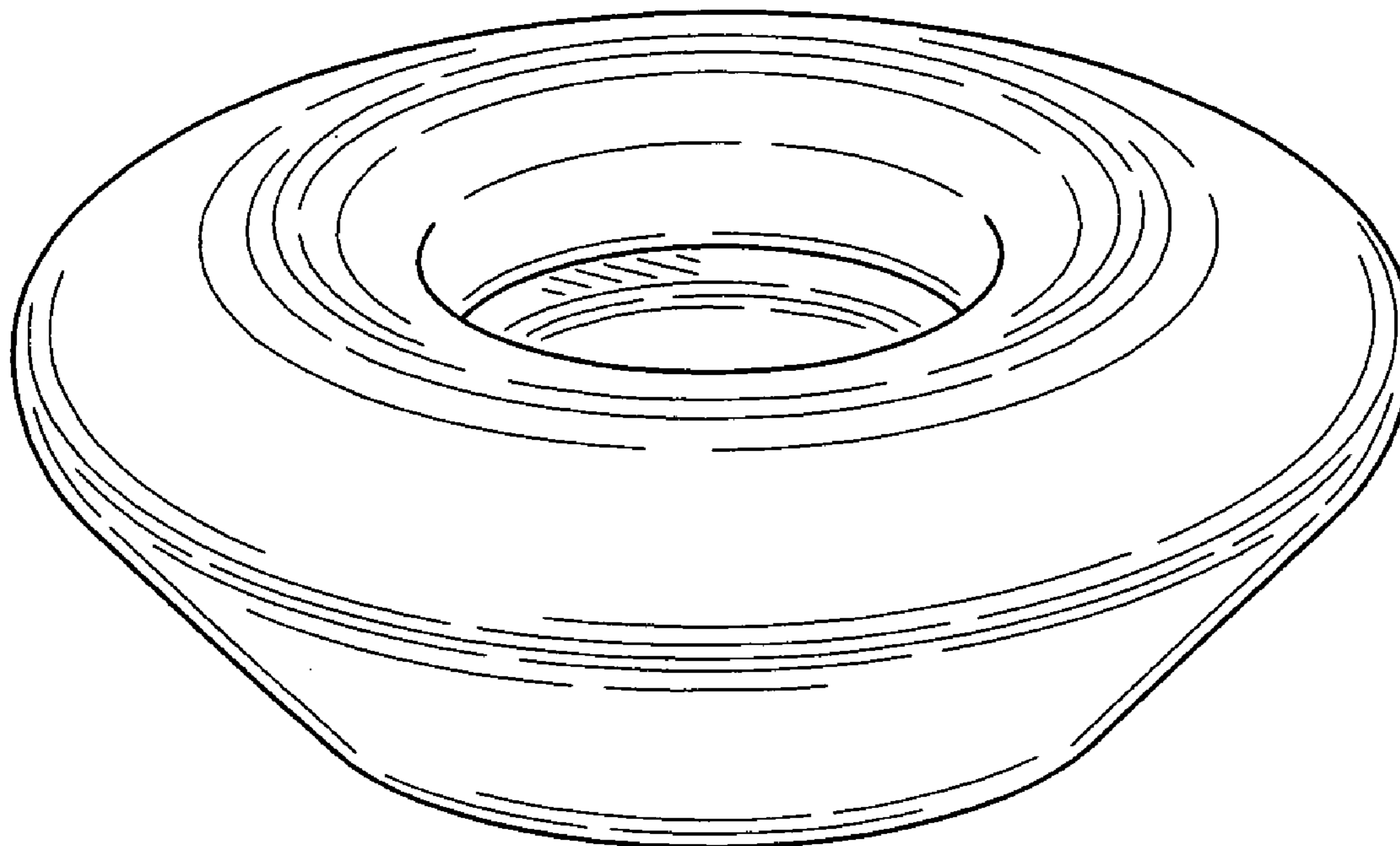
FIG. 2 is a side elevation, it being understood that the view from all sides is identical;

FIG. 3 is a top plan view;

FIG. 4 is a bottom plan view; and,

FIG. 5 is a sectional view taken along the line 5—5 of FIG. 3.

**1 Claim, 2 Drawing Sheets**



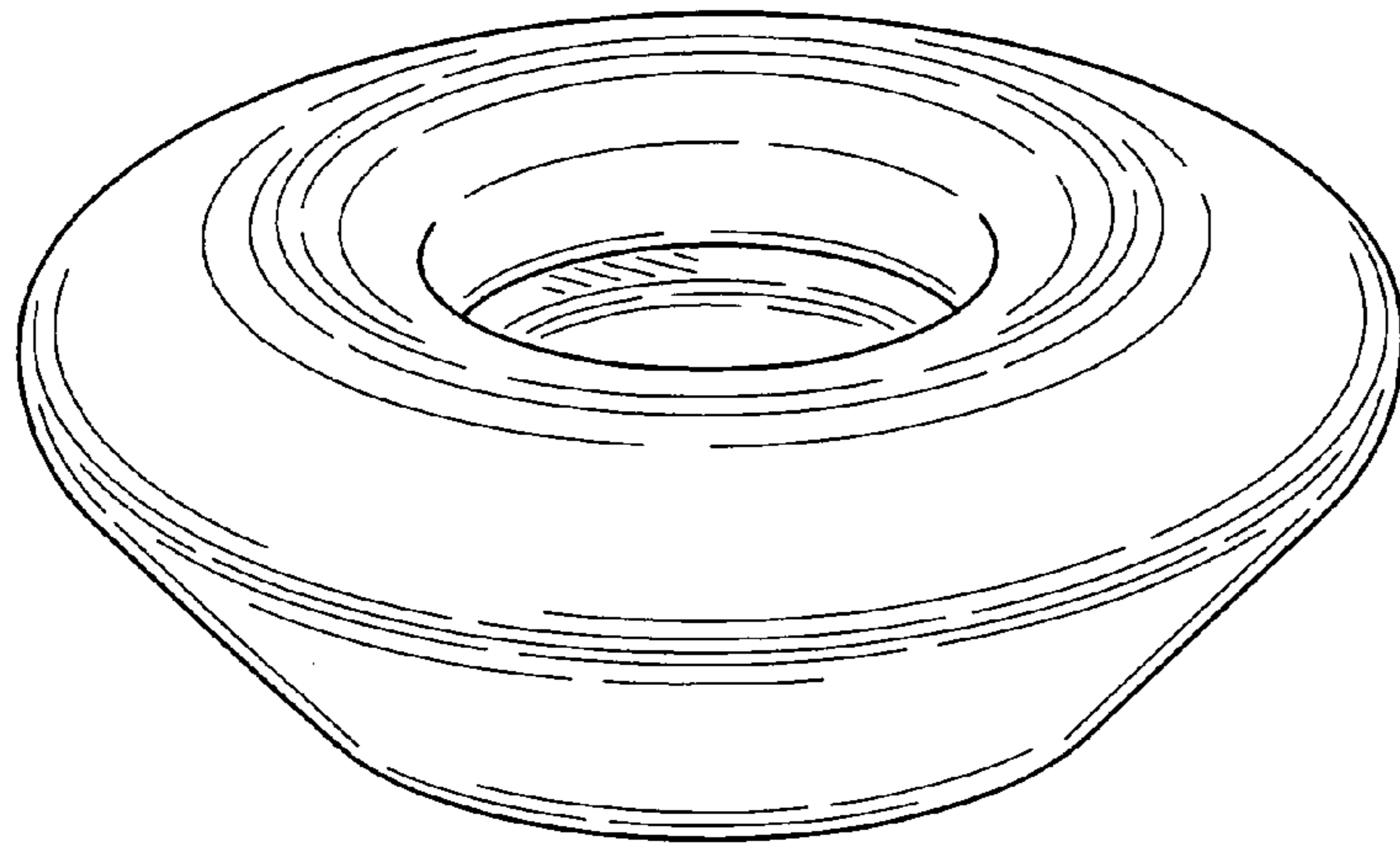


FIG. 1

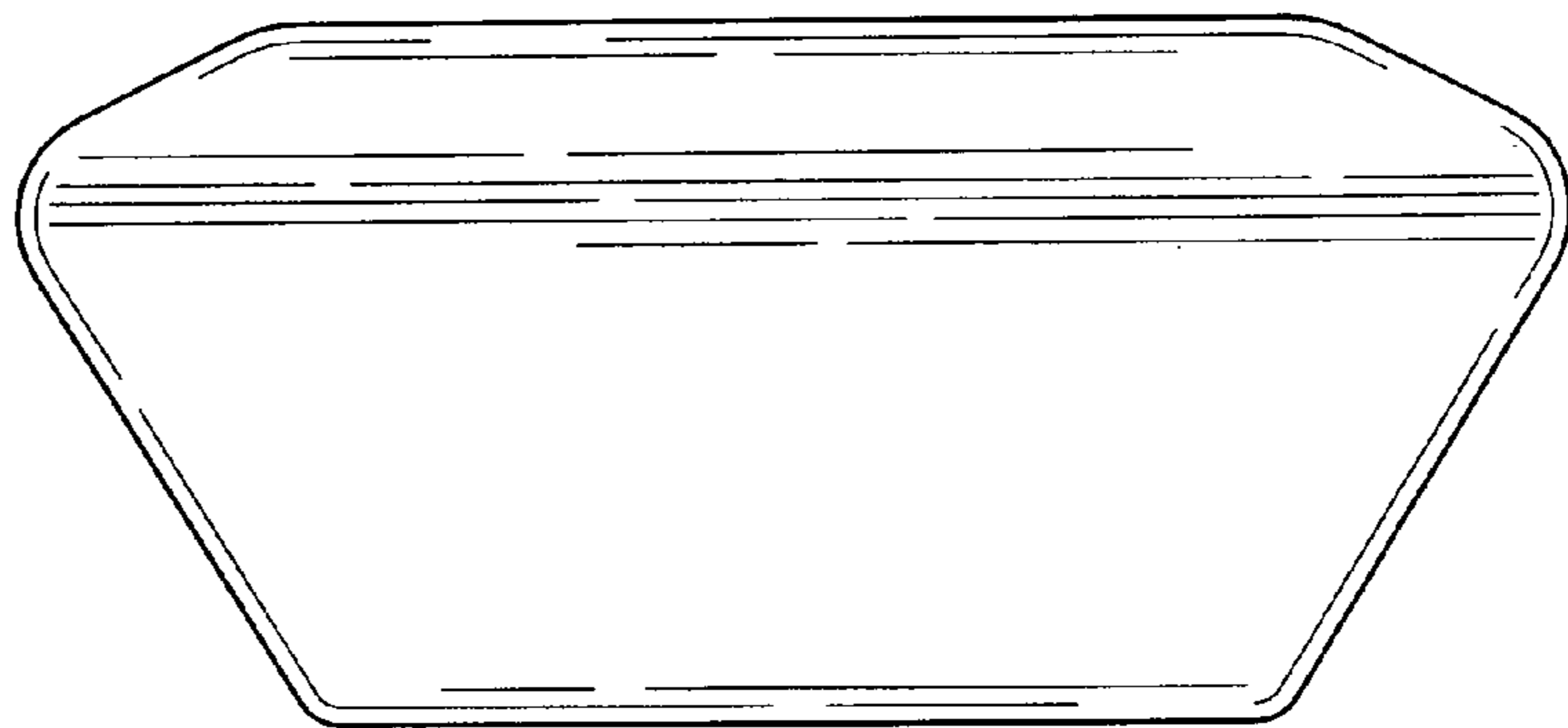


FIG. 2

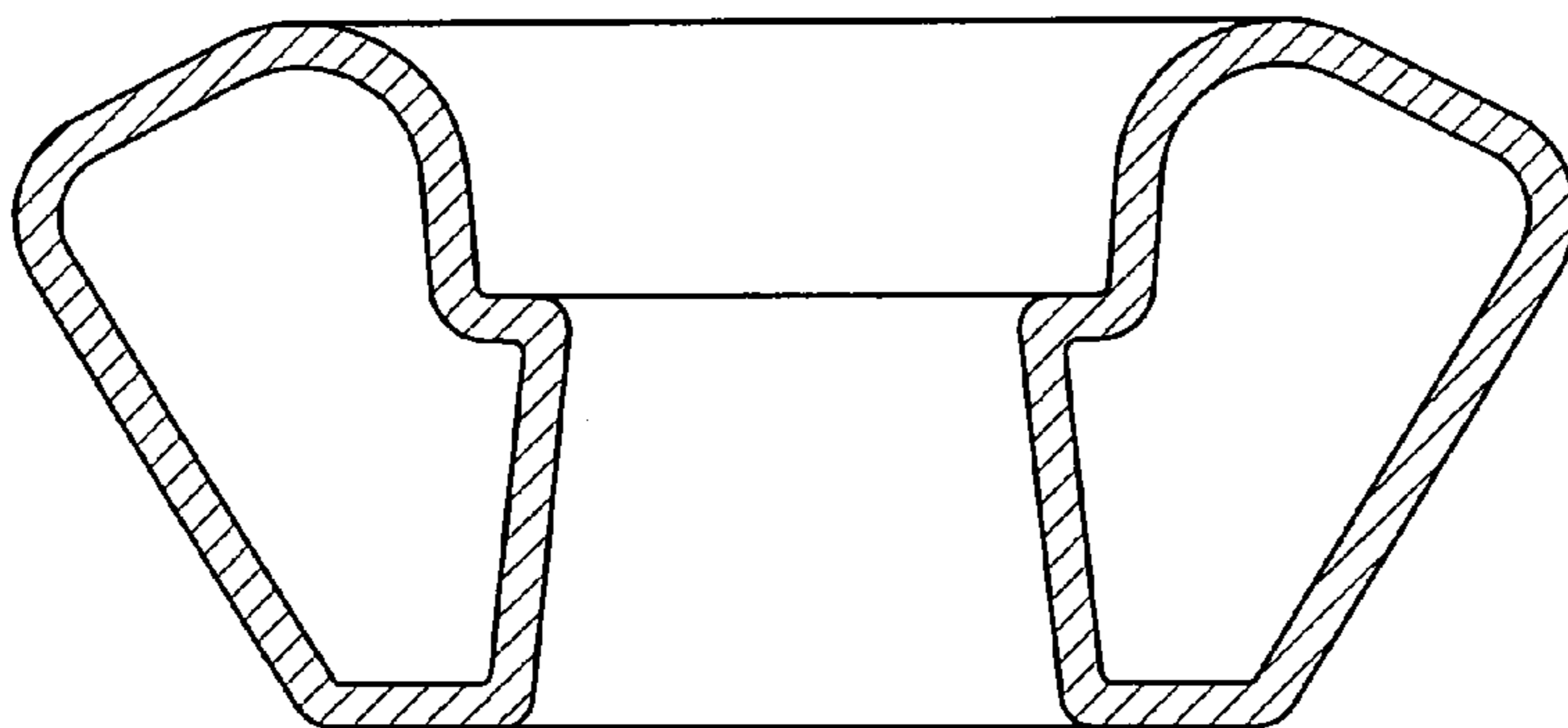


FIG. 5

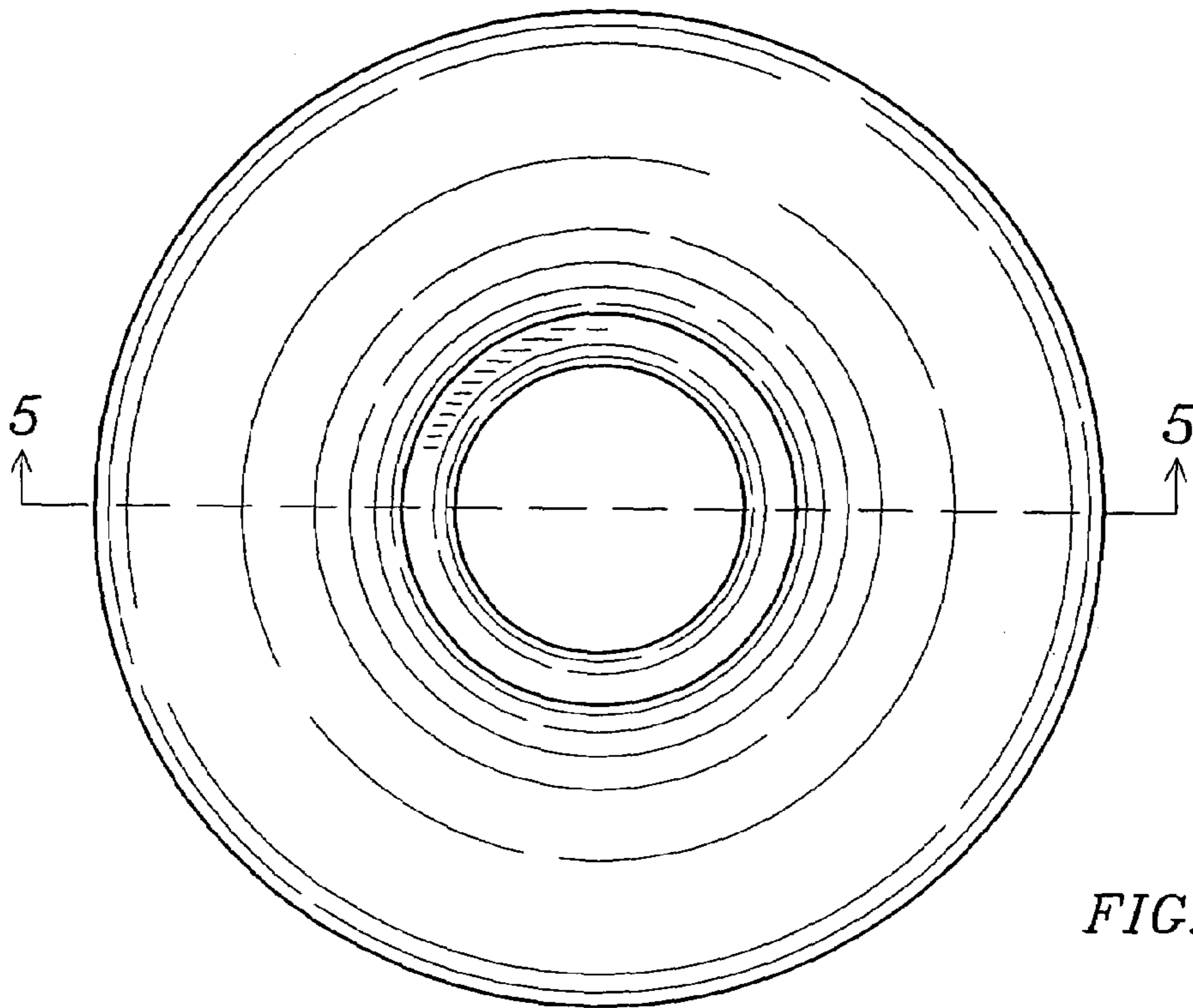


FIG. 3

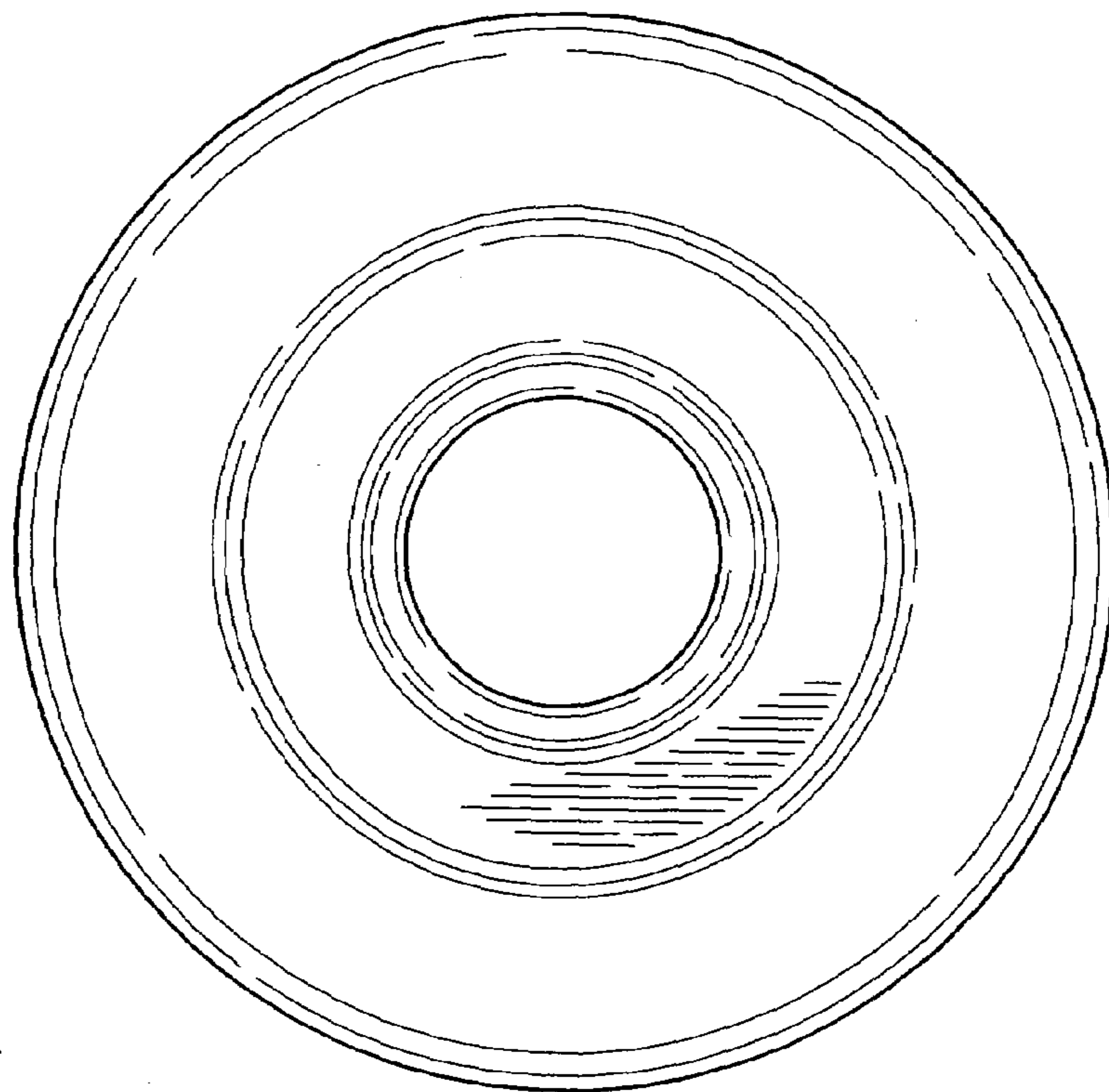


FIG. 4