



US00D590044S

(12) **United States Design Patent**
Cho

(10) **Patent No.:** **US D590,044 S**

(45) **Date of Patent:** **** Apr. 7, 2009**

(54) **ION WATER PURIFIER**

(76) Inventor: **Gyu-Dai Cho**, 1145-14, Sanbon-dong,
Gunpo-si, Gyeonggi-do 435-040 (KR)

(**) Term: **14 Years**

(21) Appl. No.: **29/298,970**

(22) Filed: **Dec. 17, 2007**

(51) **LOC (9) Cl.** **23-01**

(52) **U.S. Cl.** **D23/207**

(58) **Field of Classification Search** D23/207,
D23/209; 210/435, 241, 190
See application file for complete search history.

(56) **References Cited**

U.S. PATENT DOCUMENTS

D295,656 S *	5/1988	Bond et al.	D23/207
D453,951 S *	2/2002	Kim	D23/207
D485,330 S *	1/2004	Shyu	D23/207
D504,935 S *	5/2005	Taneike et al.	D23/207
D575,844 S *	8/2008	Park et al.	D23/207

* cited by examiner

Primary Examiner—Robin V Webster

(74) *Attorney, Agent, or Firm*—F. Chau & Associates, LLC

(57) **CLAIM**

The ornamental design for an ion water purifier, as shown and described.

DESCRIPTION

FIG. 1 is a perspective view showing an ion water purifier having the design of the invention;

FIG. 2 is a front view of the ion water purifier;

FIG. 3 is a rear view of the ion water purifier;

FIG. 4 is a left side view of the ion water purifier;

FIG. 5 is a right side view of the ion water purifier;

FIG. 6 is a top plan view of the ion water purifier;

FIG. 7 is a bottom plan view of the ion water purifier; and,

FIG. 8 is a view illustrating an environment of the ion water purifier.

The broken line showing is included for the purpose of illustrating and forms no part of the claimed design.

1 Claim, 8 Drawing Sheets

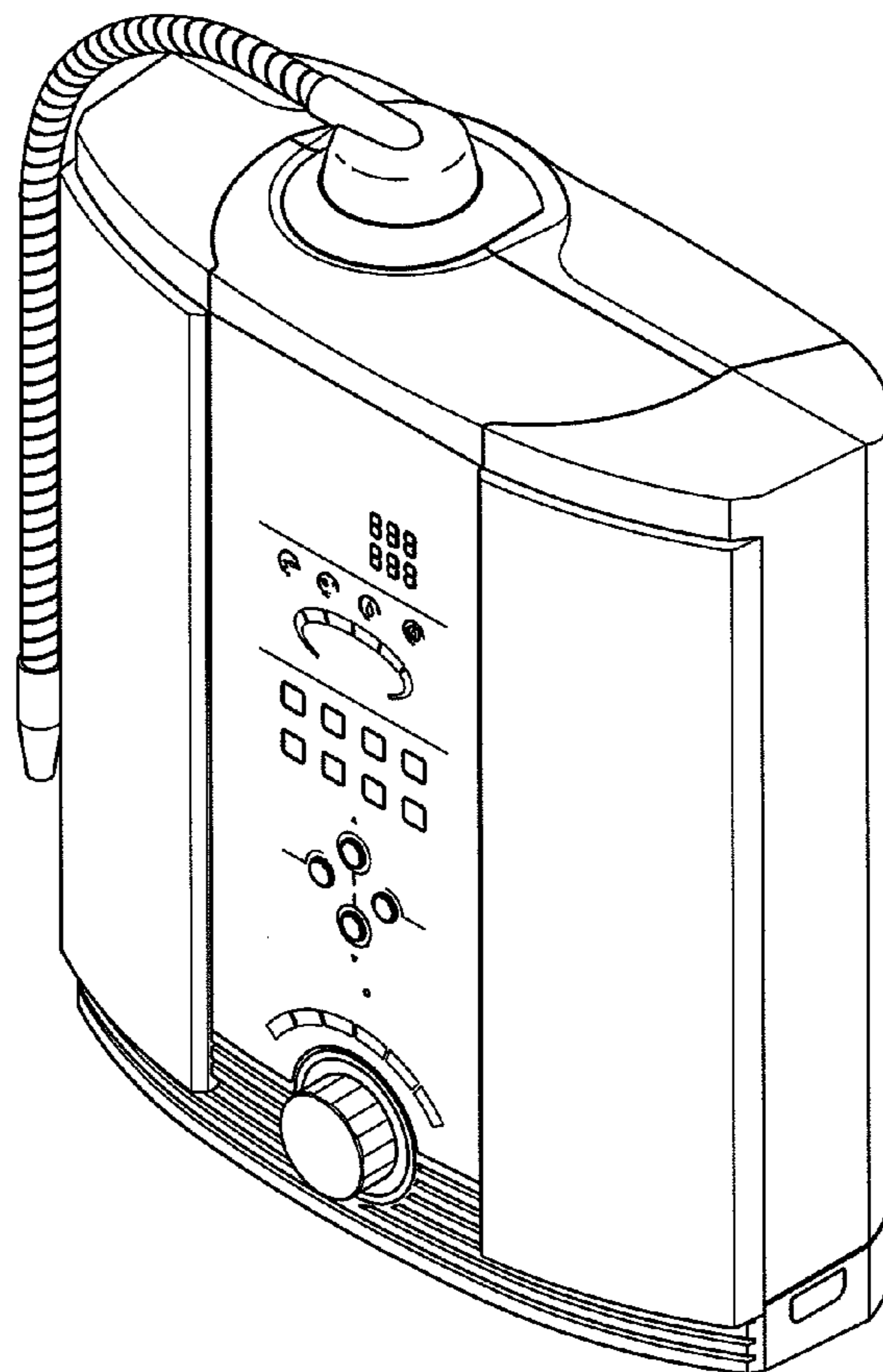


FIG. 1

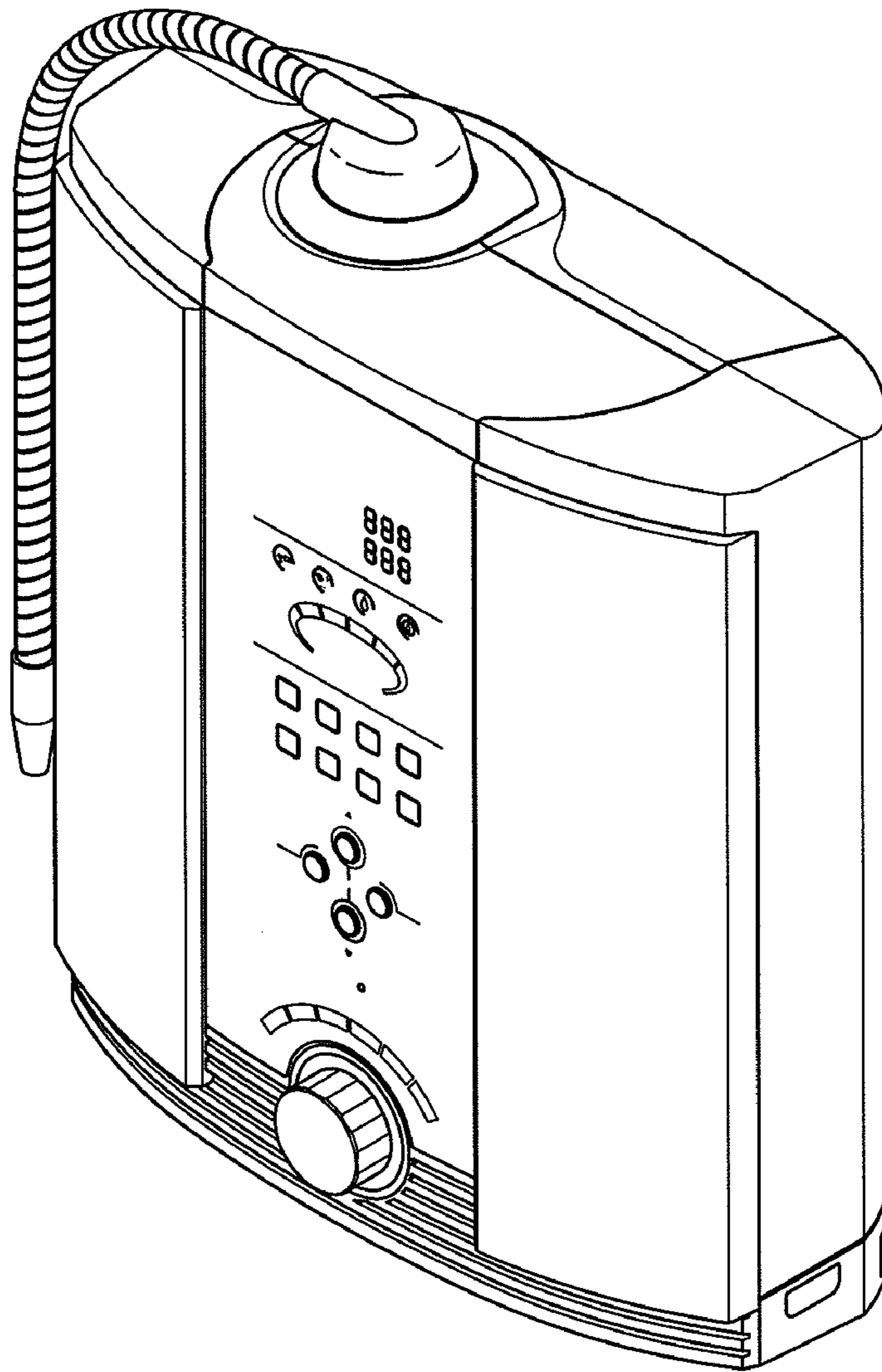


FIG.2

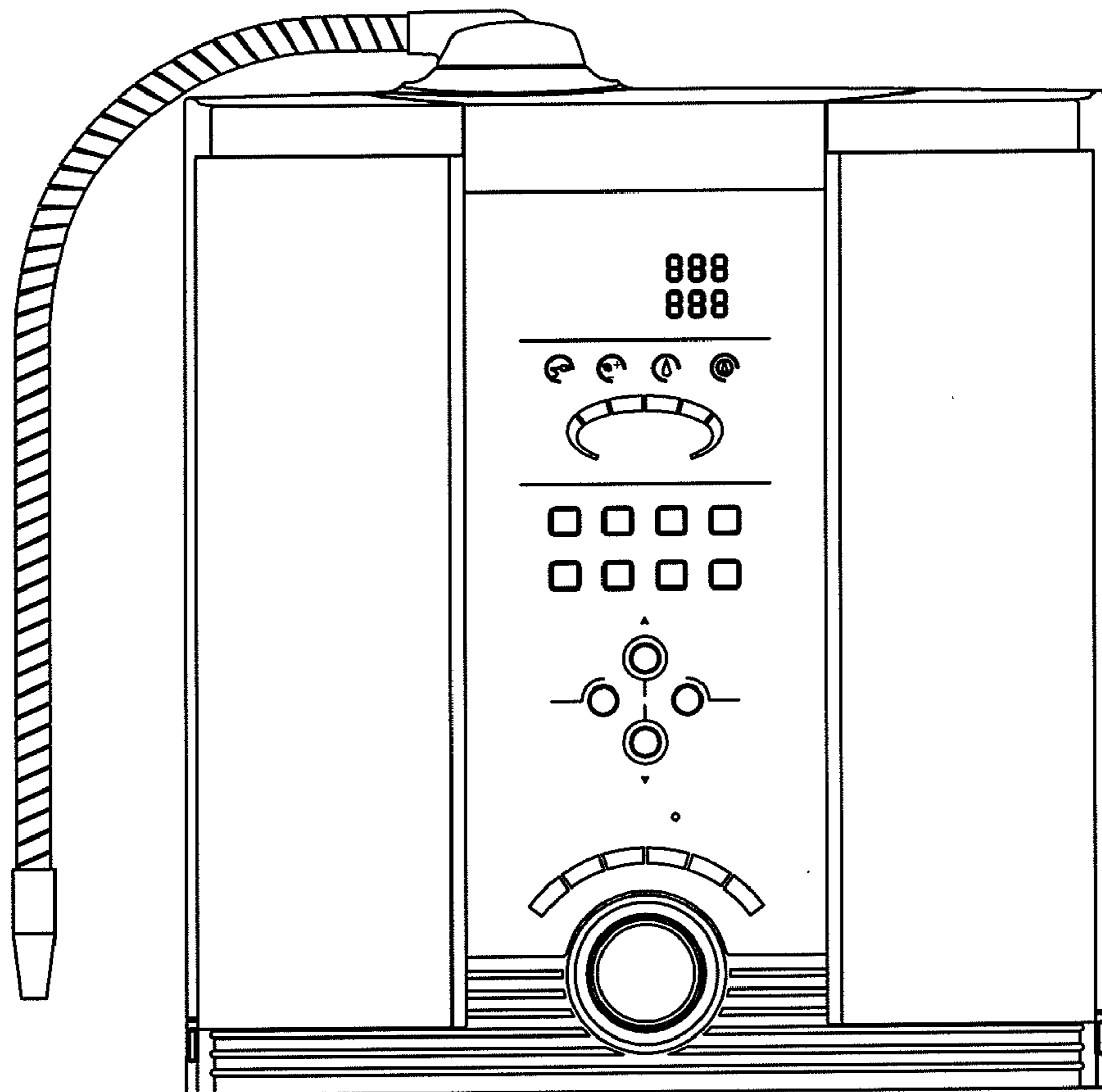


FIG.3

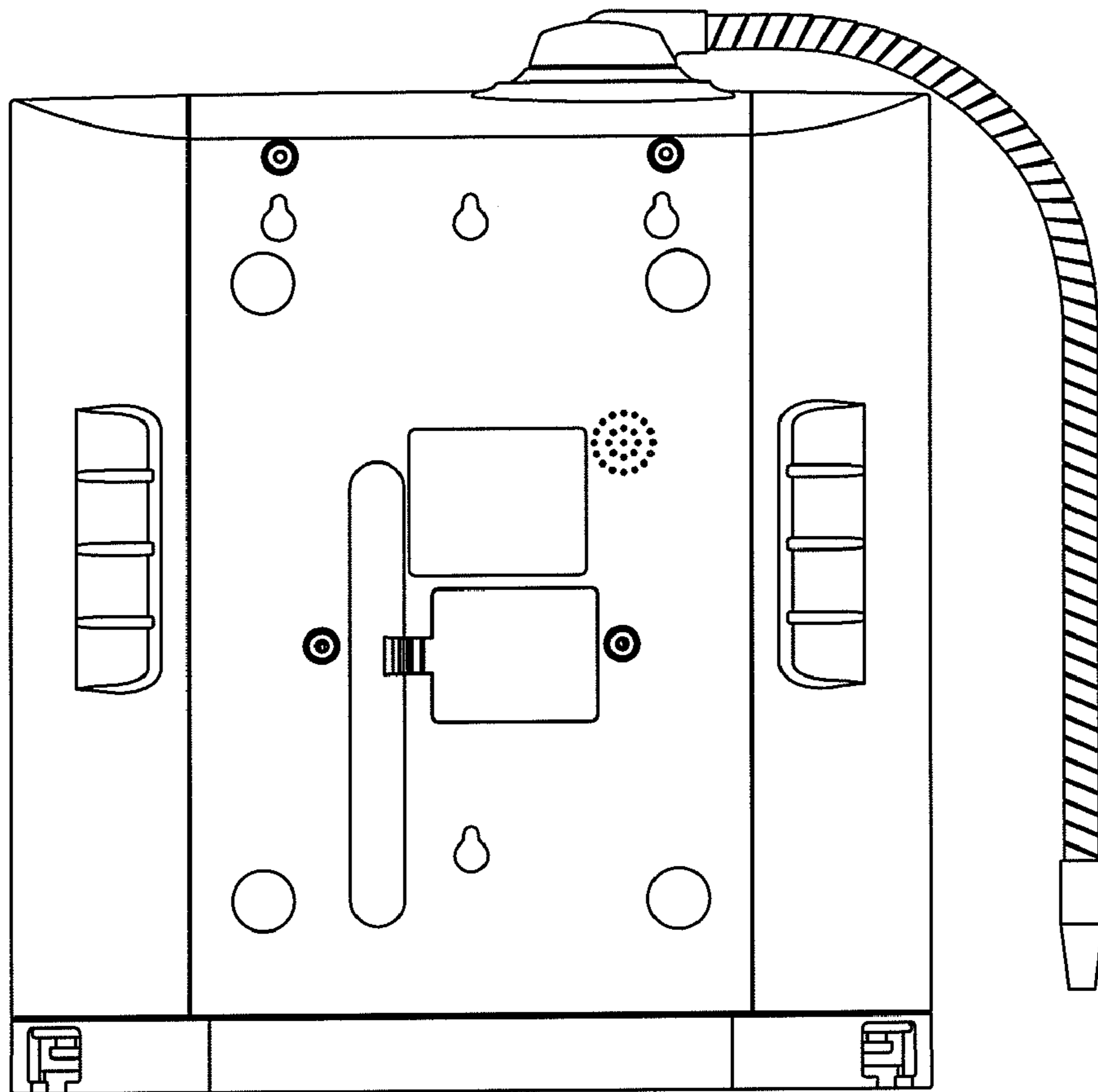


FIG. 4

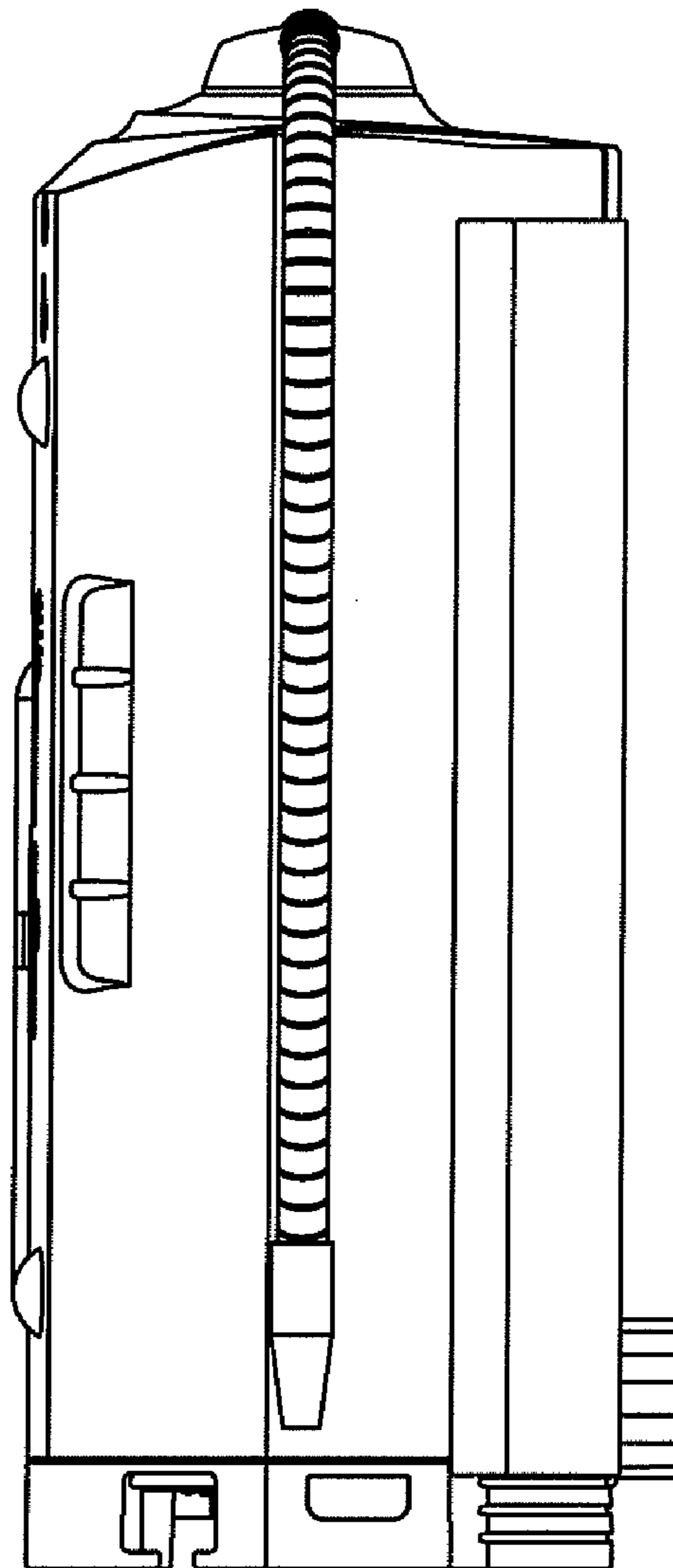


FIG. 5

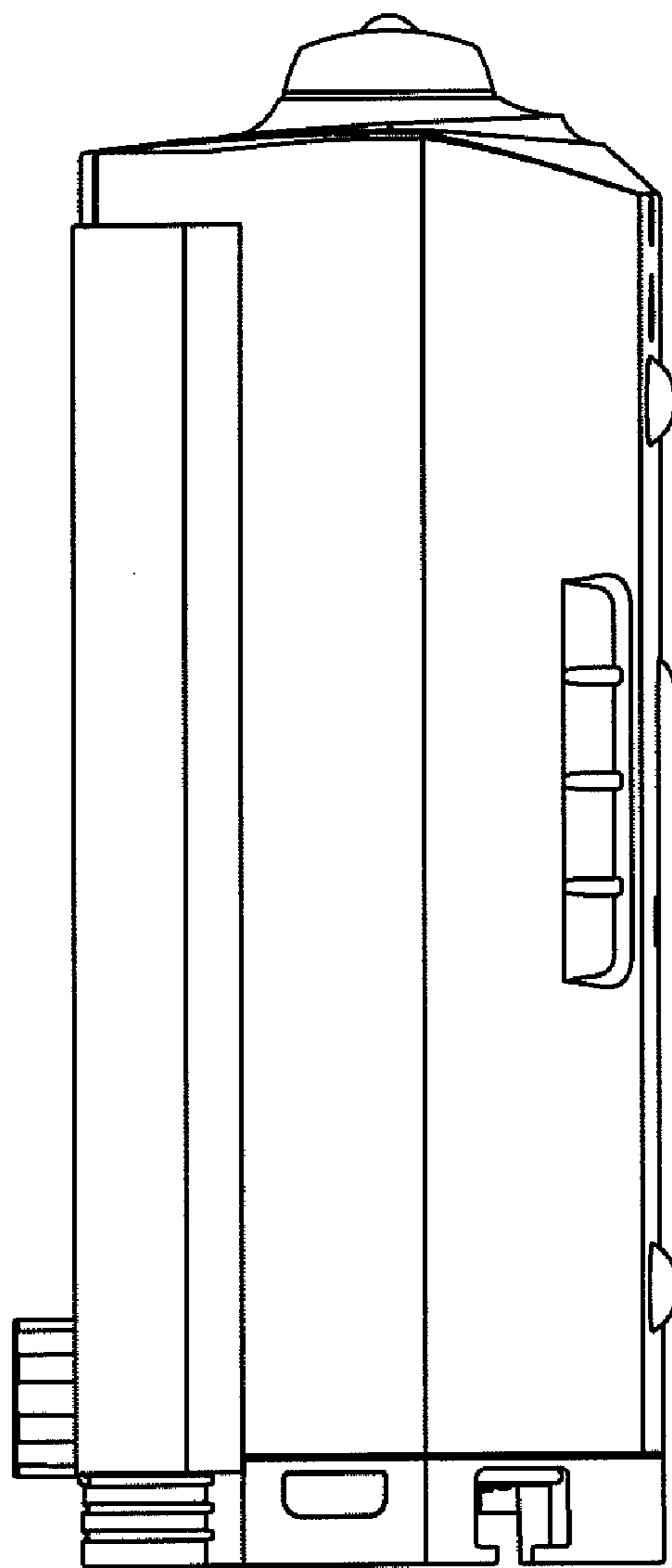


FIG.6

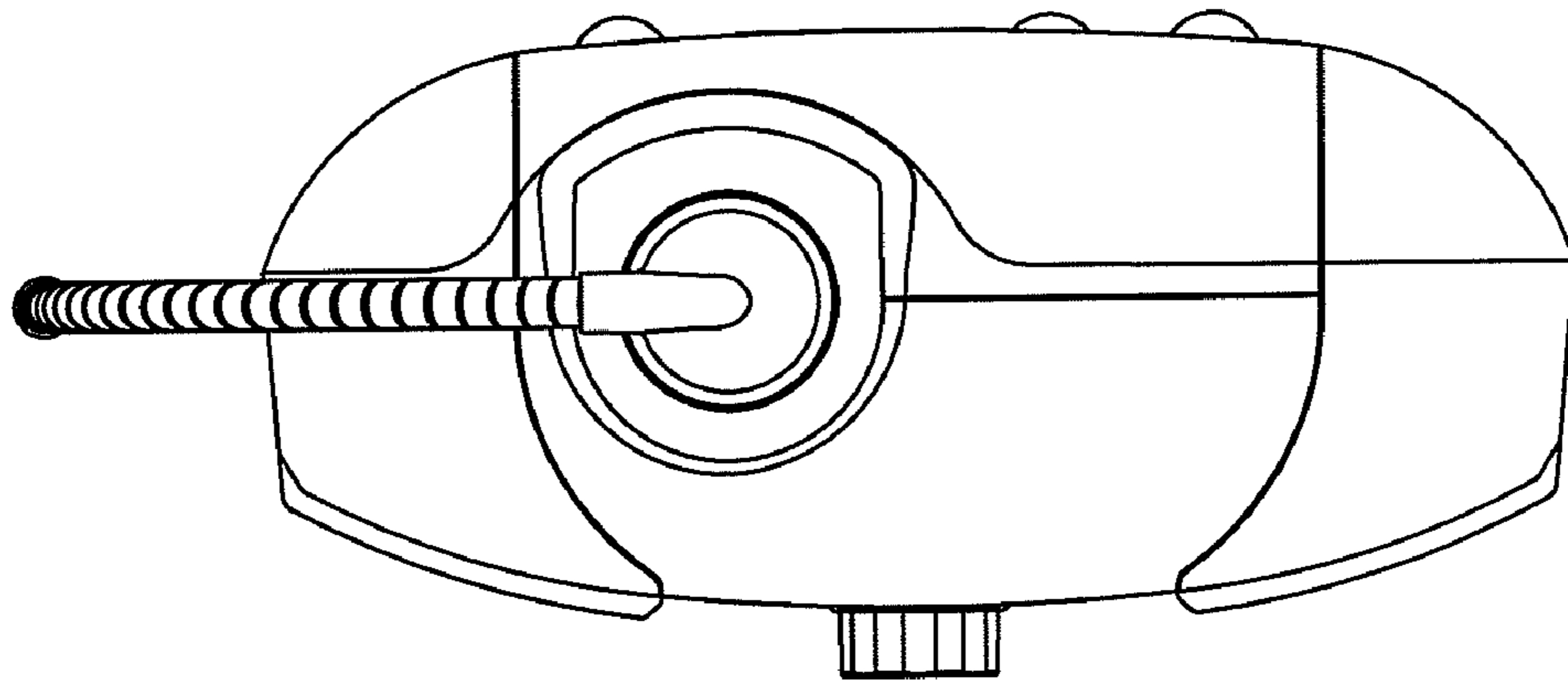


FIG.7

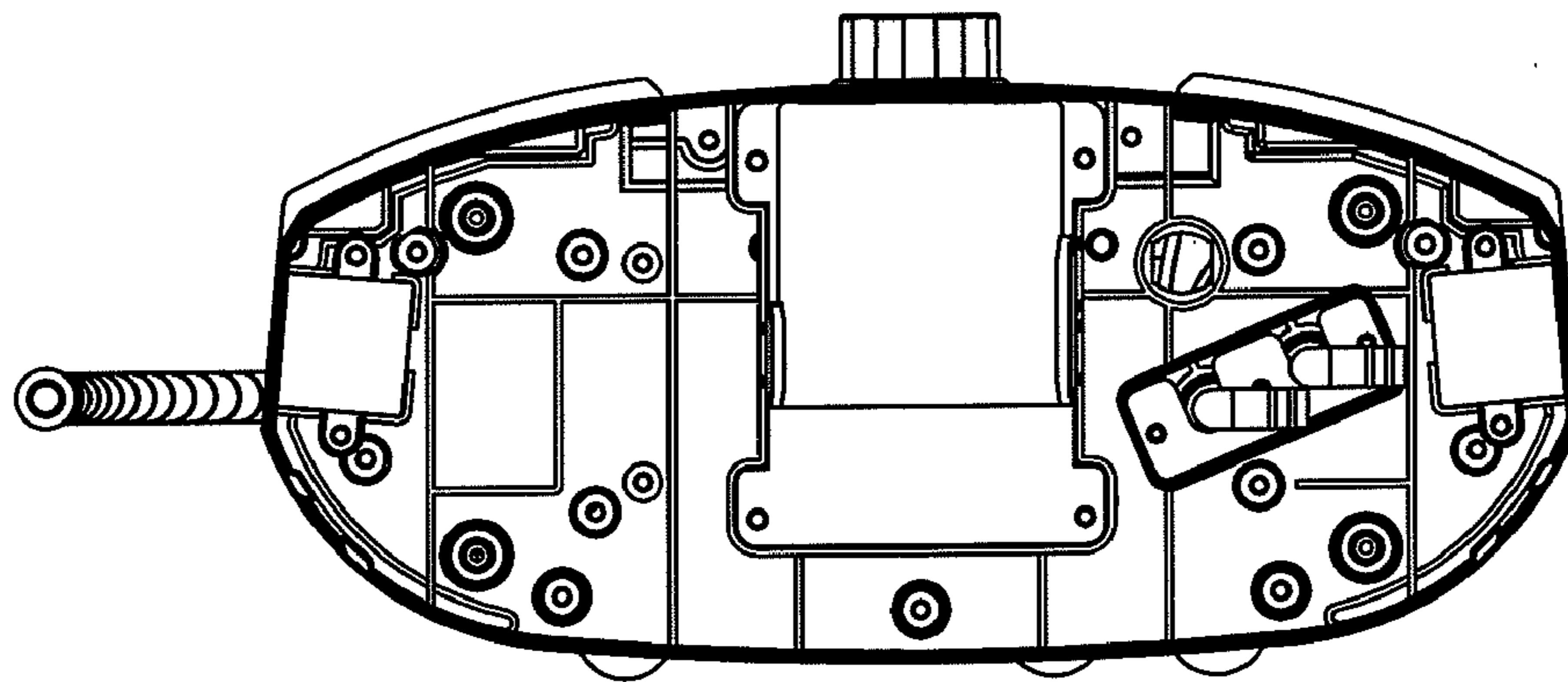


FIG.8

