



US00D590042S

(12) **United States Design Patent**
Hoskins

(10) **Patent No.:** **US D590,042 S**

(45) **Date of Patent:** **** Apr. 7, 2009**

(54) **WATER FOUNTAIN**

(76) **Inventor:** **Charles F. Hoskins**, 1751 Monroe Ave.,
Bronx, NY (US) 10457

(**) **Term:** **14 Years**

(21) **Appl. No.:** **29/301,838**

(22) **Filed:** **Mar. 20, 2008**

(51) **LOC (9) Cl.** **23-01**

(52) **U.S. Cl.** **D23/201**

(58) **Field of Classification Search** D23/201,
D23/231-232; 239/17-21

See application file for complete search history.

(56) **References Cited**

U.S. PATENT DOCUMENTS

D1,193 S *	1/1860	Holly	D23/232
D8,713 S	10/1875	Tweeddale		
4,413,778 A *	11/1983	Middlemiss	239/17
5,367,805 A *	11/1994	Bates	40/406
D373,615 S	9/1996	Crowell		

D386,239 S	11/1997	Dennis		
6,644,560 B2 *	11/2003	Polzin et al.	239/17
D555,755 S *	11/2007	Christensen	D23/201

* cited by examiner

Primary Examiner—Robin V Webster

(57) **CLAIM**

The ornamental design for a water fountain, as shown and described.

DESCRIPTION

FIG. 1 is a front elevational view of a water fountain showing my new design;

FIG. 2 is a rear elevational view thereof;

FIG. 3 is a right side elevational view thereof;

FIG. 4 is a left side elevational thereof;

FIG. 5 is a top plan view thereof; and,

FIG. 6 is a bottom plan view thereof.

1 Claim, 3 Drawing Sheets

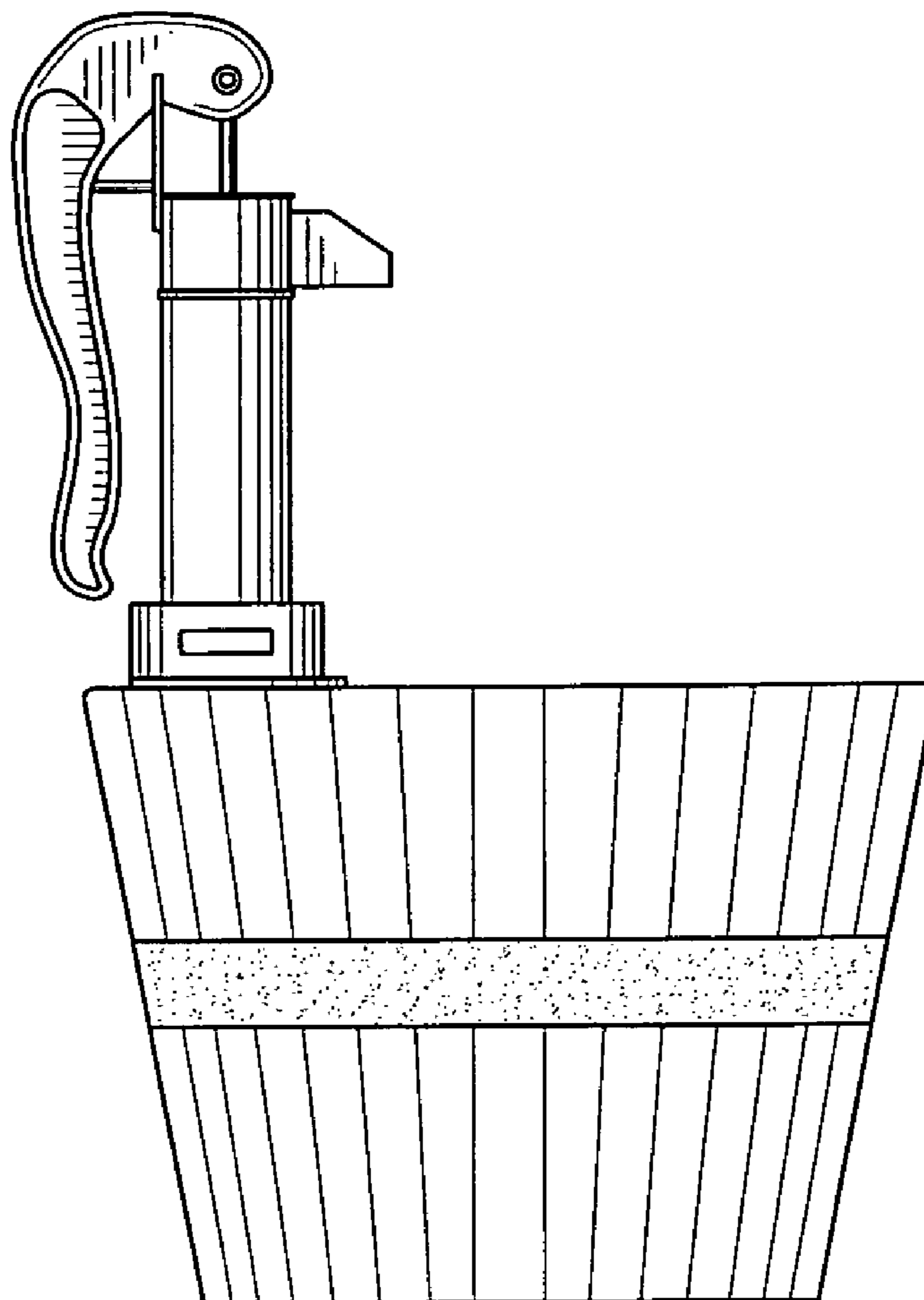


FIG. 1

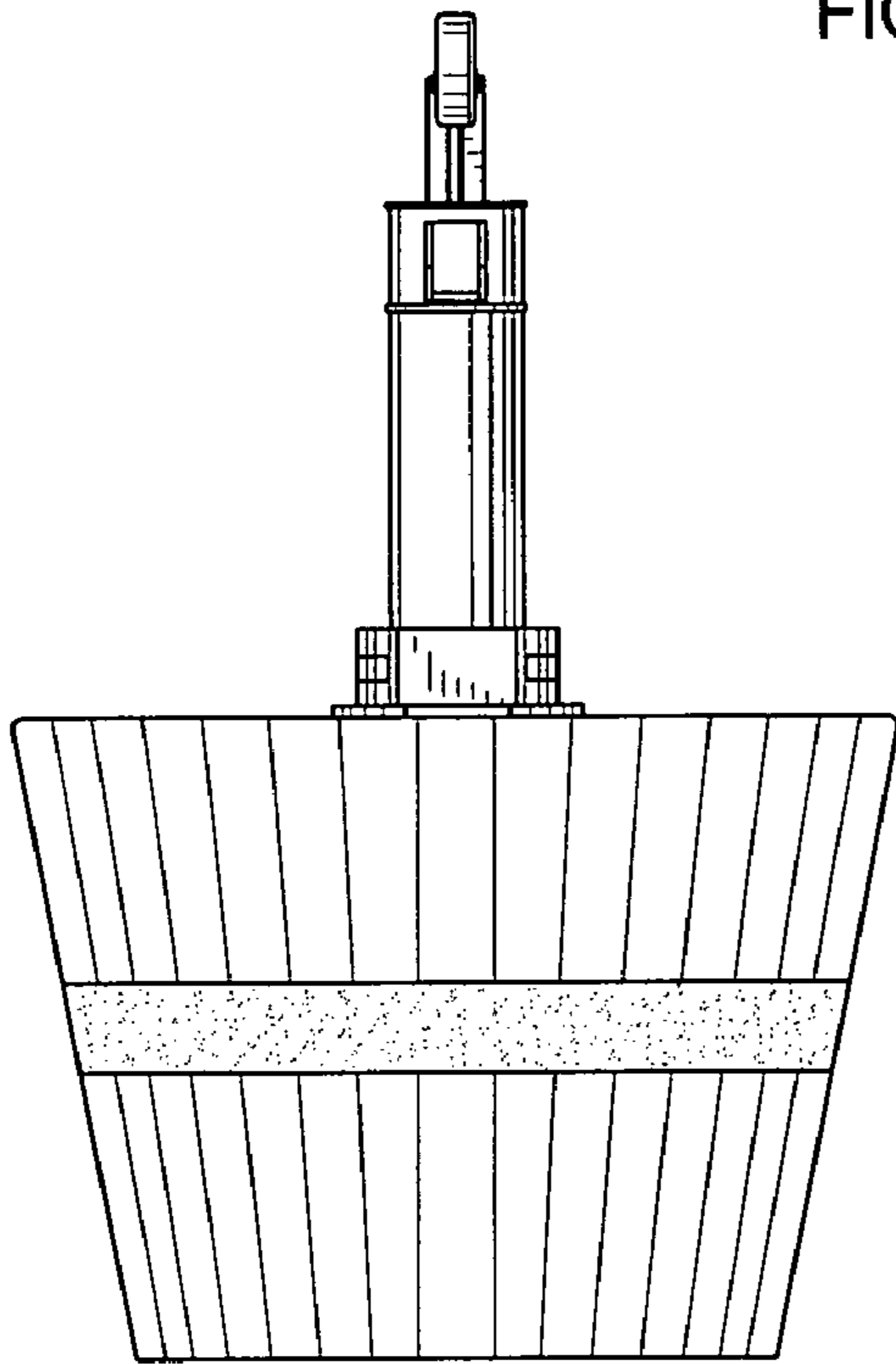


FIG. 2

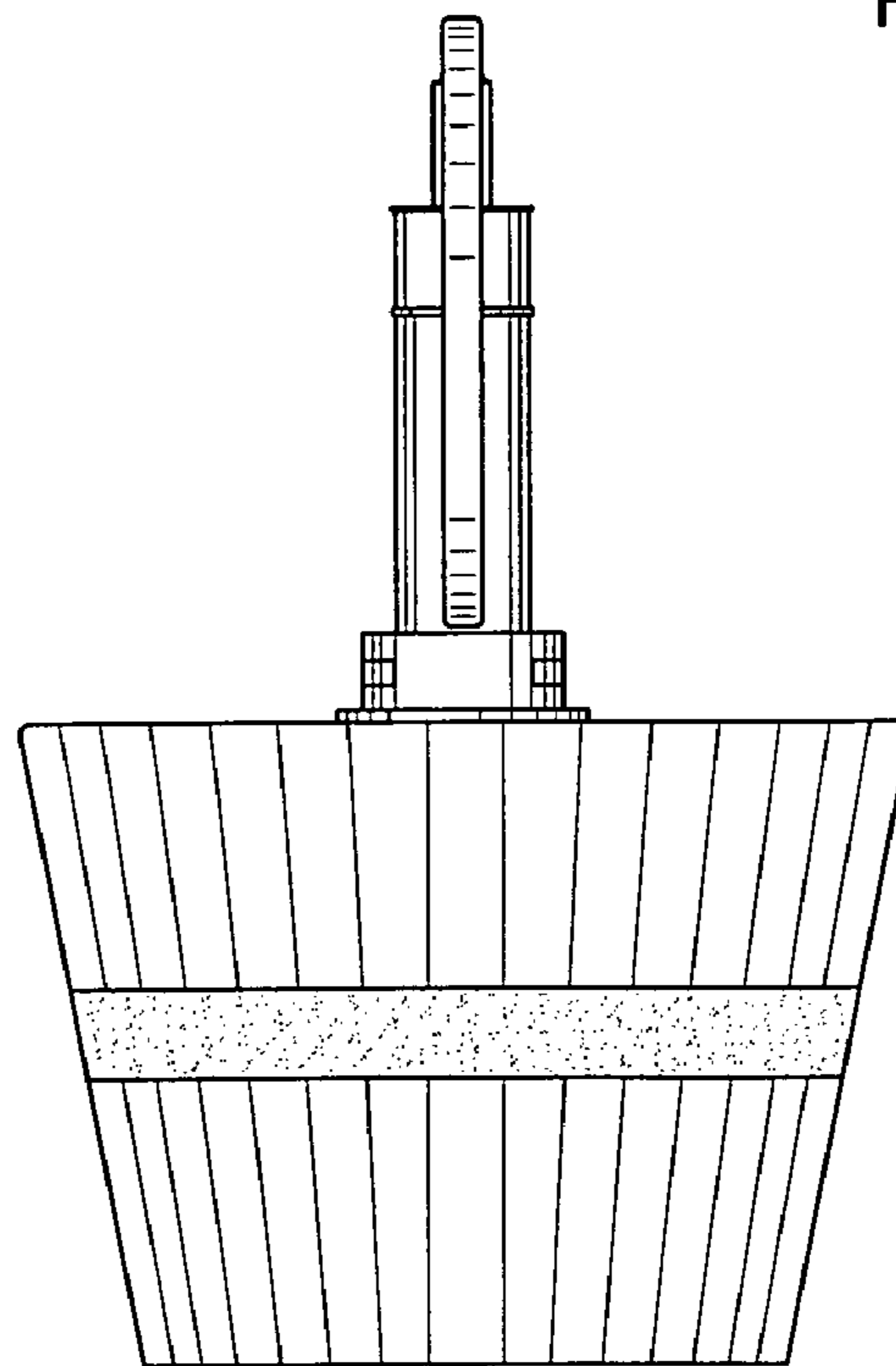


FIG. 3

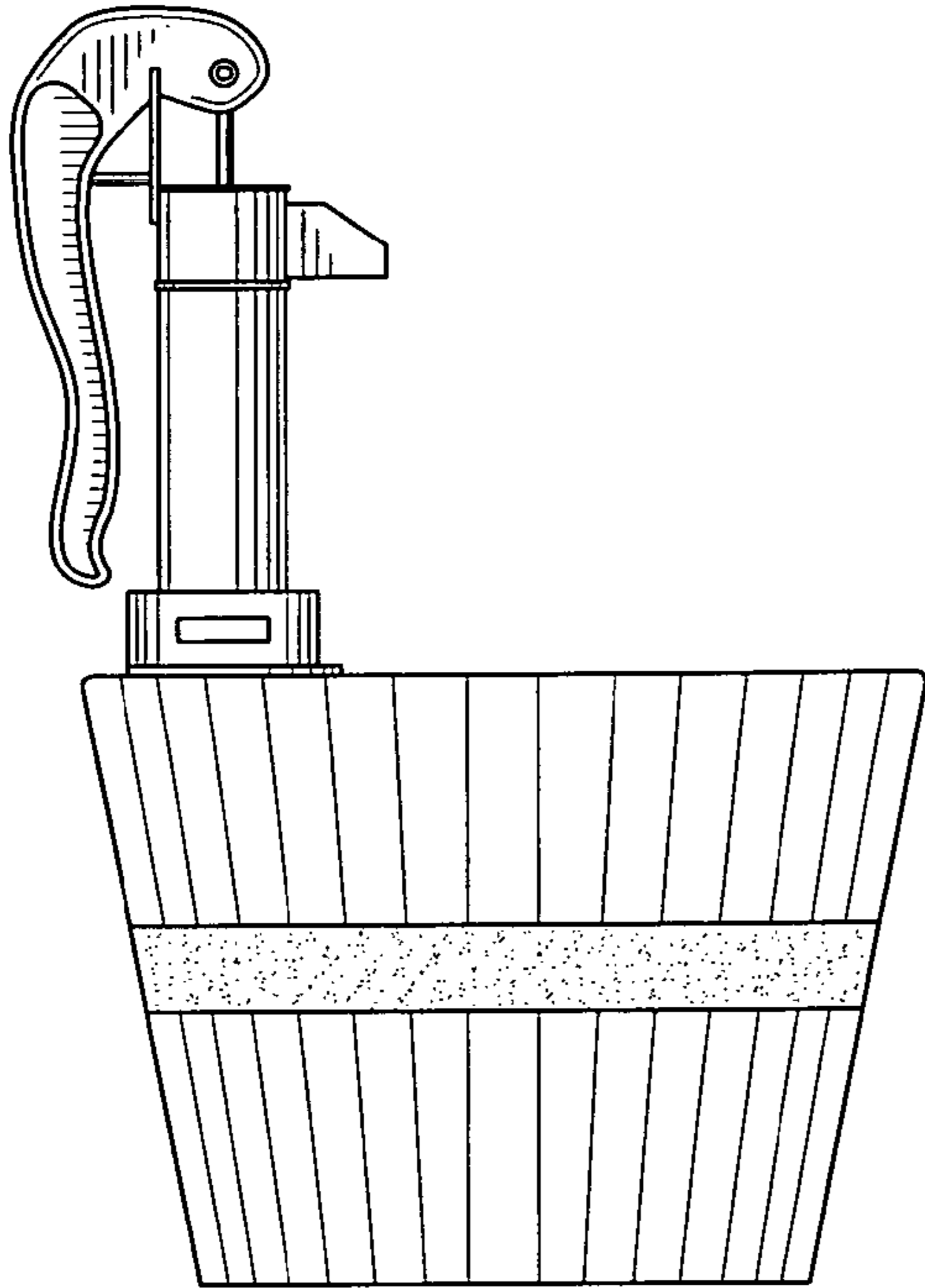


FIG. 4

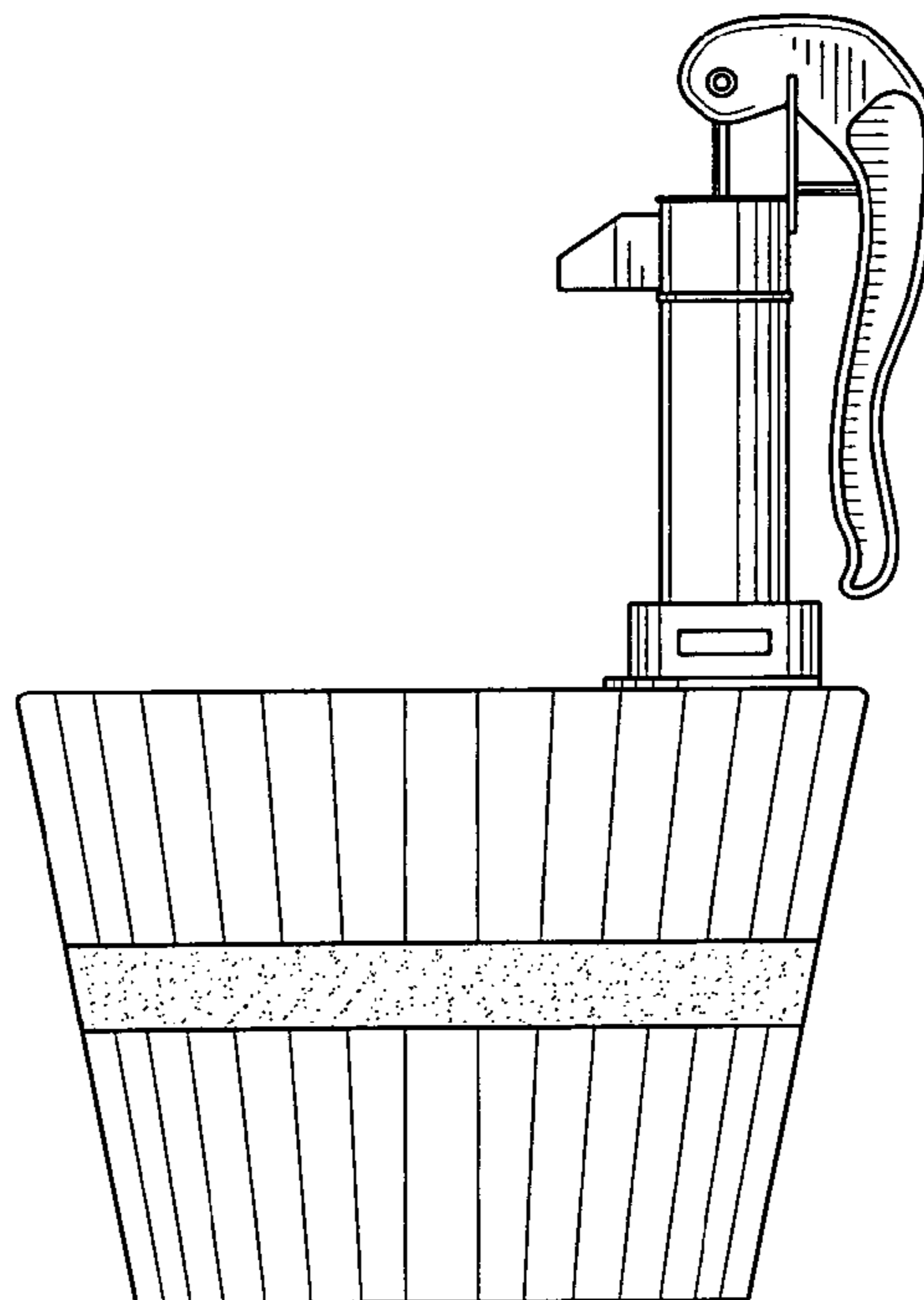


FIG. 5

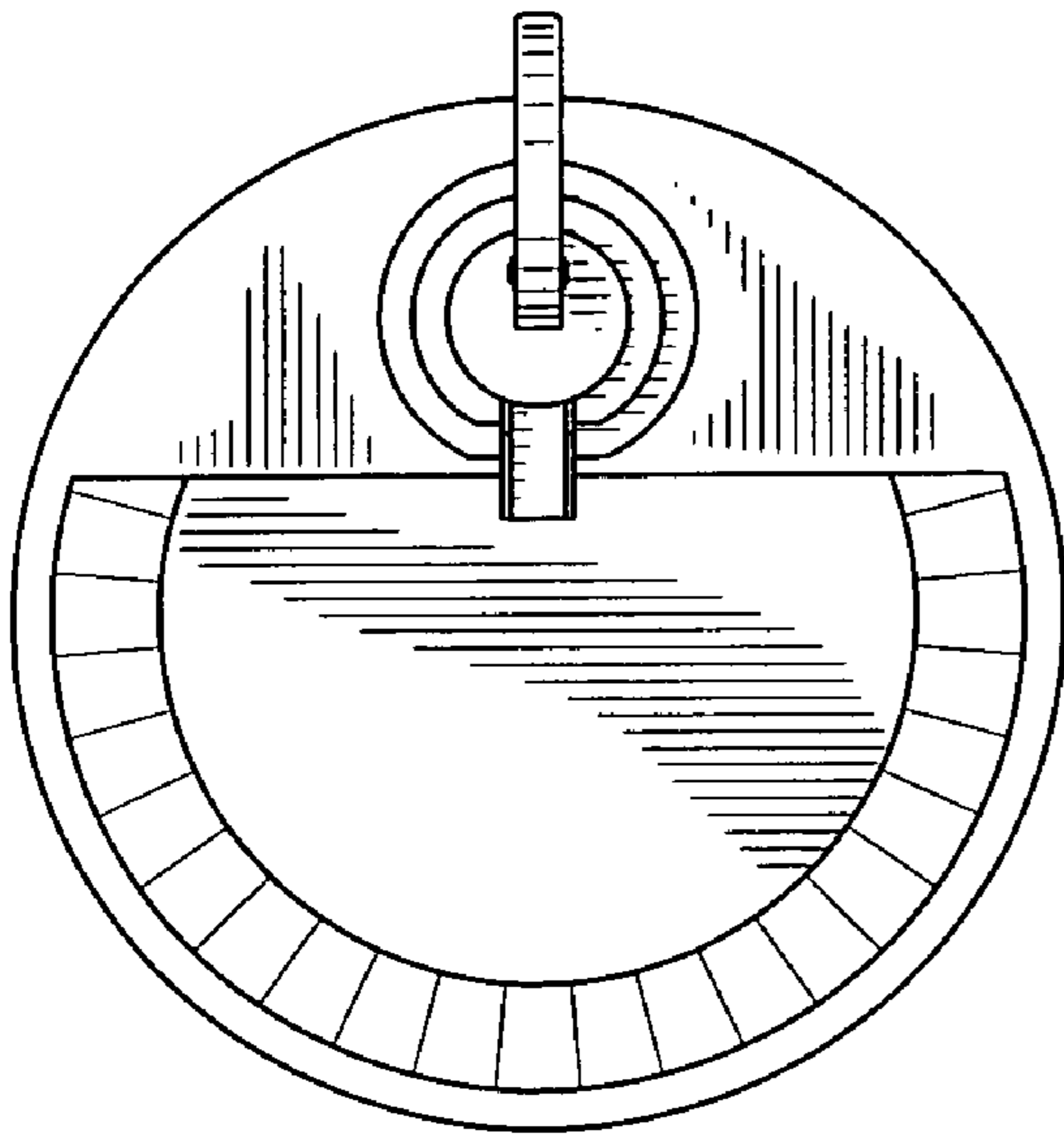


FIG. 6

