



US00D590041S

(12) **United States Design Patent**  
**Schneidmiller et al.**

(10) **Patent No.:** **US D590,041 S**  
(45) **Date of Patent:** **\*\* Apr. 7, 2009**

(54) **INSECT TRAP**

D536,413 S \* 2/2007 Duston ..... D22/122  
D544,065 S \* 6/2007 MacQueen ..... D22/122

(75) Inventors: **Rodney Schneidmiller**, Greenacres, WA (US); **Marc Chapin**, Spokane, WA (US)

\* cited by examiner

(73) Assignee: **Sterling International Inc.**, Spokane, WA (US)

*Primary Examiner*—Catherine R Oliver  
(74) *Attorney, Agent, or Firm*—Christensen O'Connor Johnson Kindness PLLC

(\*\*) Term: **14 Years**

(57) **CLAIM**

(21) Appl. No.: **29/317,433**

The ornamental design for an insect trap, as shown and described.

(22) Filed: **Apr. 29, 2008**

**DESCRIPTION**

(51) **LOC (9) Cl.** ..... **22-06**

FIG. 1 is a front perspective view of an insect trap of our design;

(52) **U.S. Cl.** ..... **D22/122**

FIG. 2 is a front view of the insect trap shown in FIG. 1;

(58) **Field of Classification Search** ..... D22/119–125;  
43/85, 88, 90–92, 77–79, 124, 131, 132.1,  
43/112–113, 121

FIG. 3 is a right side view of the insect trap shown in FIG. 1;

See application file for complete search history.

FIG. 4 is a rear view of the insect trap shown in FIG. 1;

(56) **References Cited**

FIG. 5 is a left side view of the insect trap shown in FIG. 1;

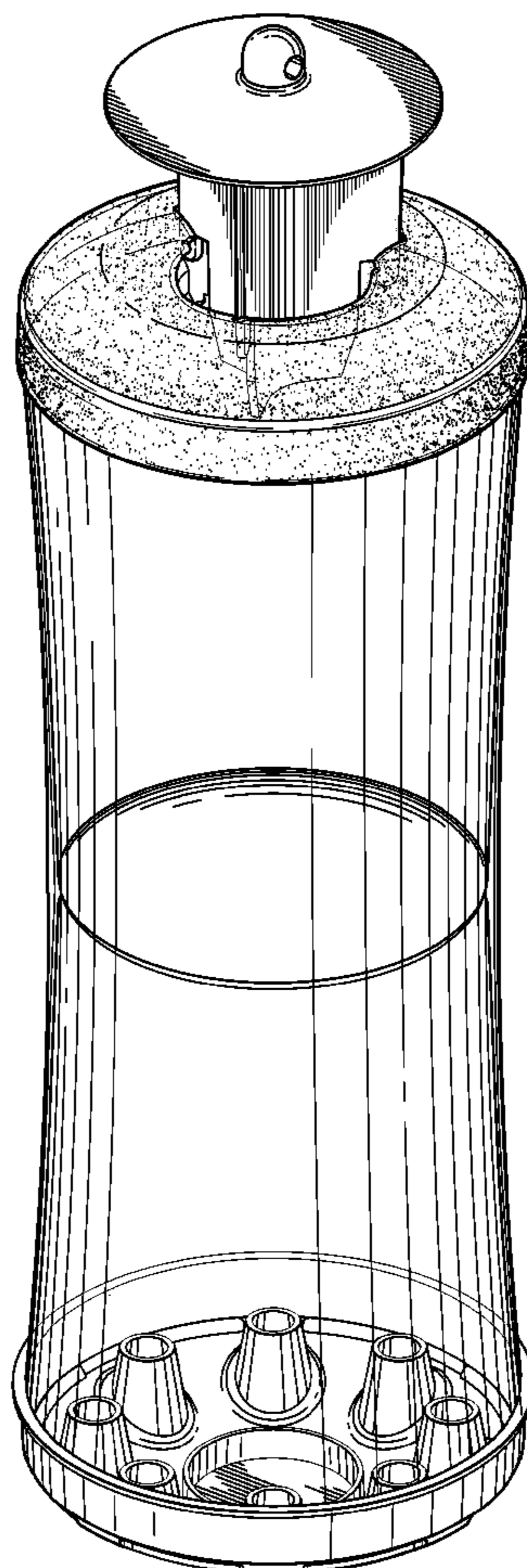
**U.S. PATENT DOCUMENTS**

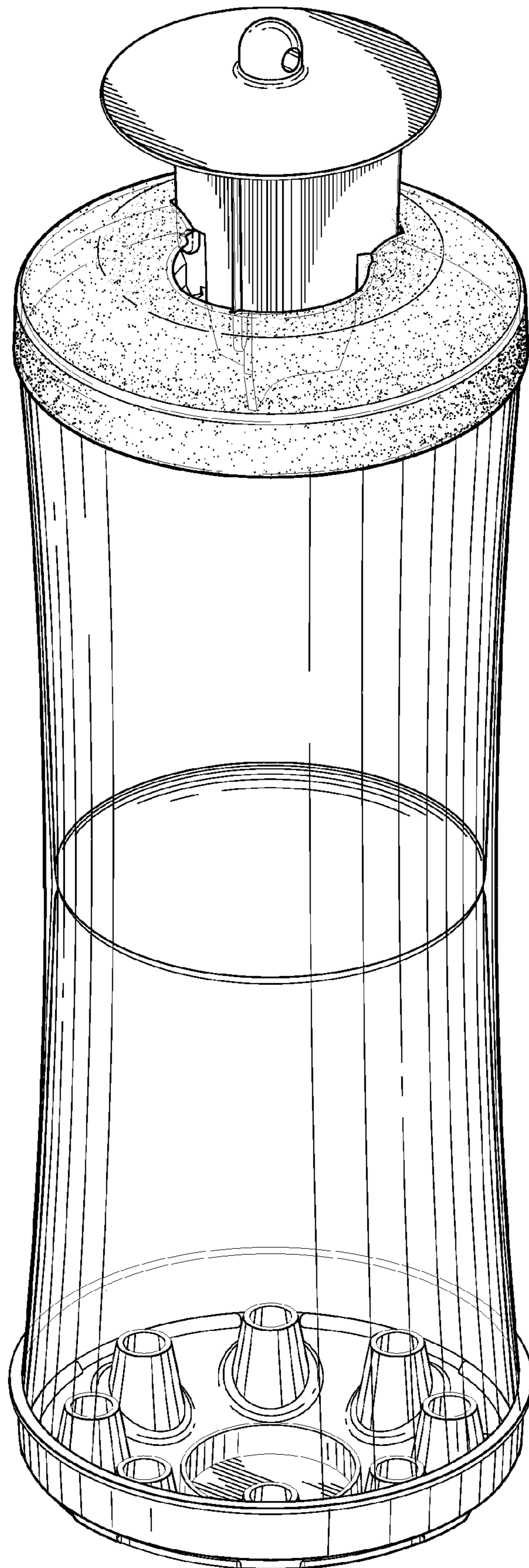
FIG. 6 is a top view of the insect trap shown in FIG. 1; and,

D367,311 S \* 2/1996 Donahue et al. .... D22/122  
D527,069 S \* 8/2006 Hiscox et al. .... D22/122  
D532,479 S \* 11/2006 Child ..... D22/122

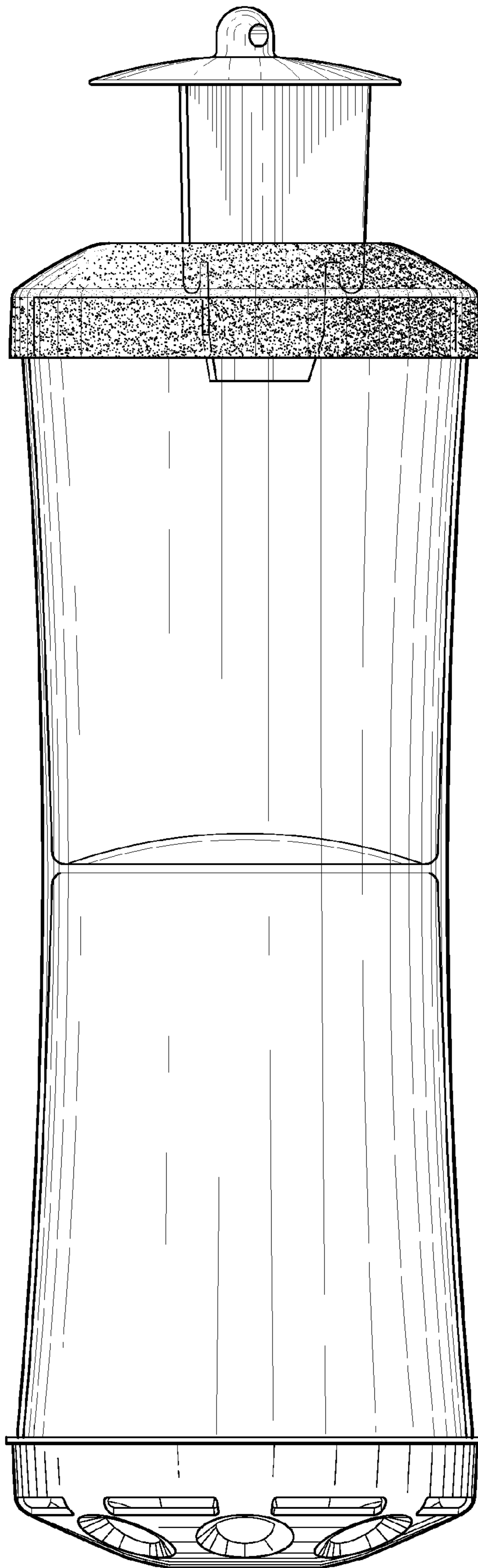
FIG. 7 is a bottom view of the insect trap shown in FIG. 1.

**1 Claim, 6 Drawing Sheets**

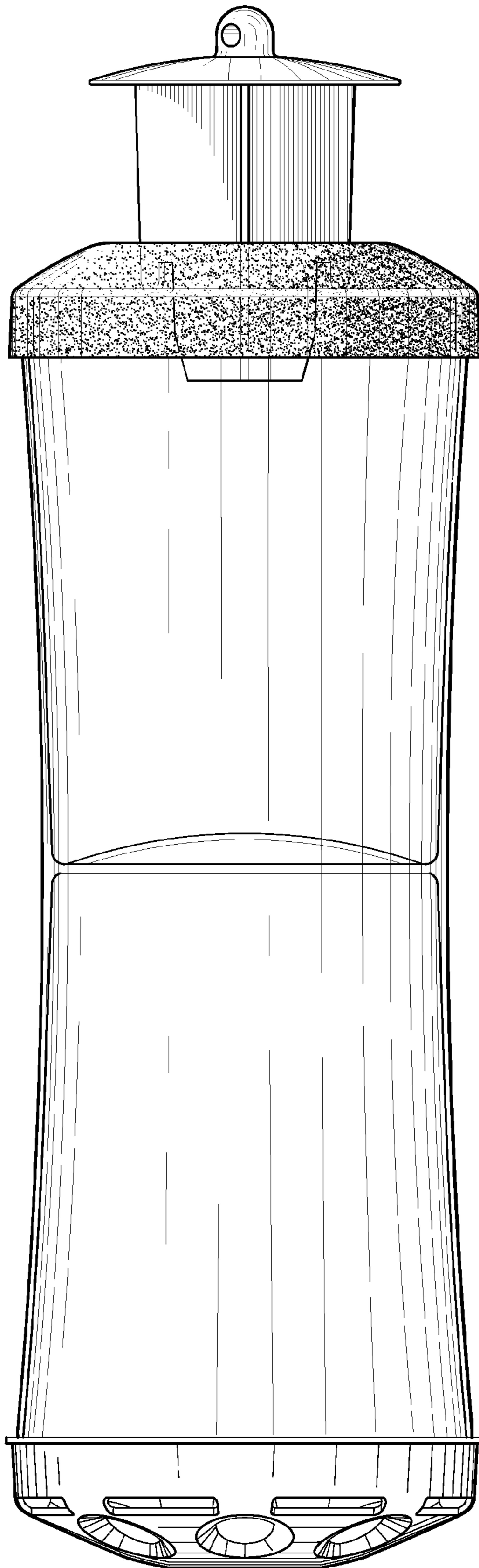




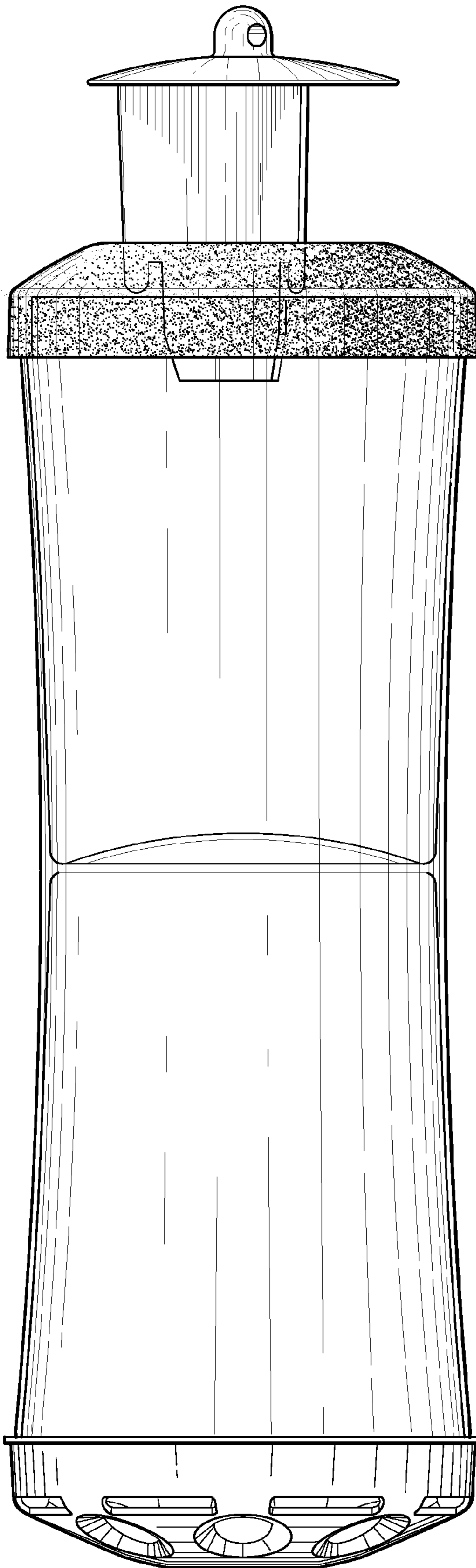
*Fig.1.*



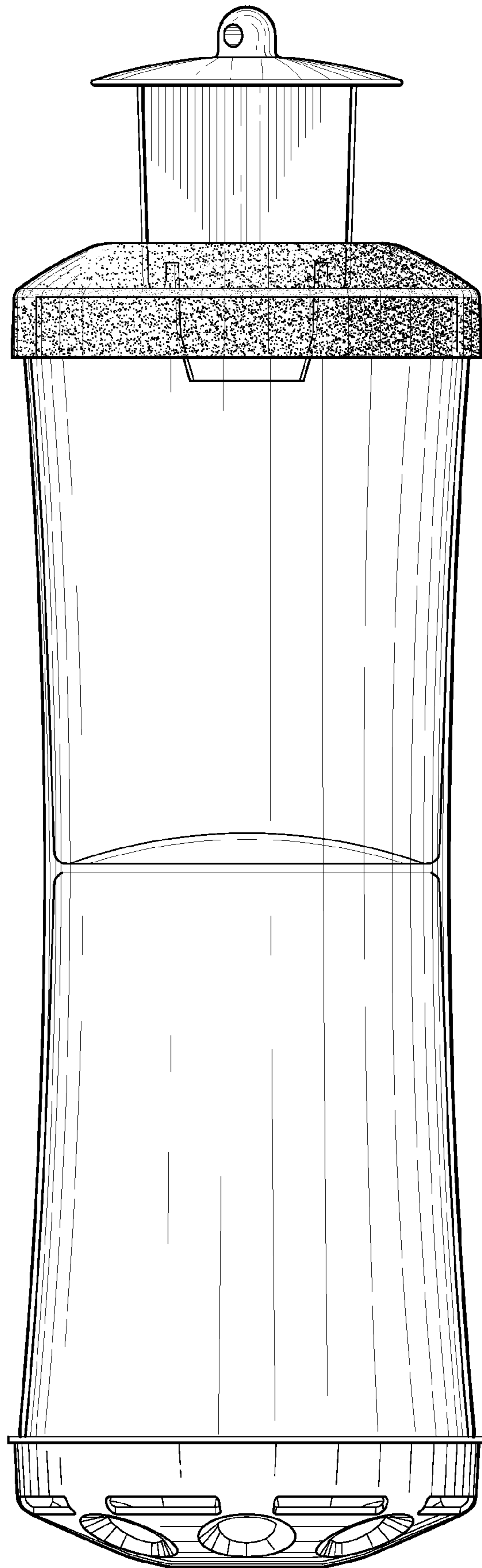
*Fig. 2.*



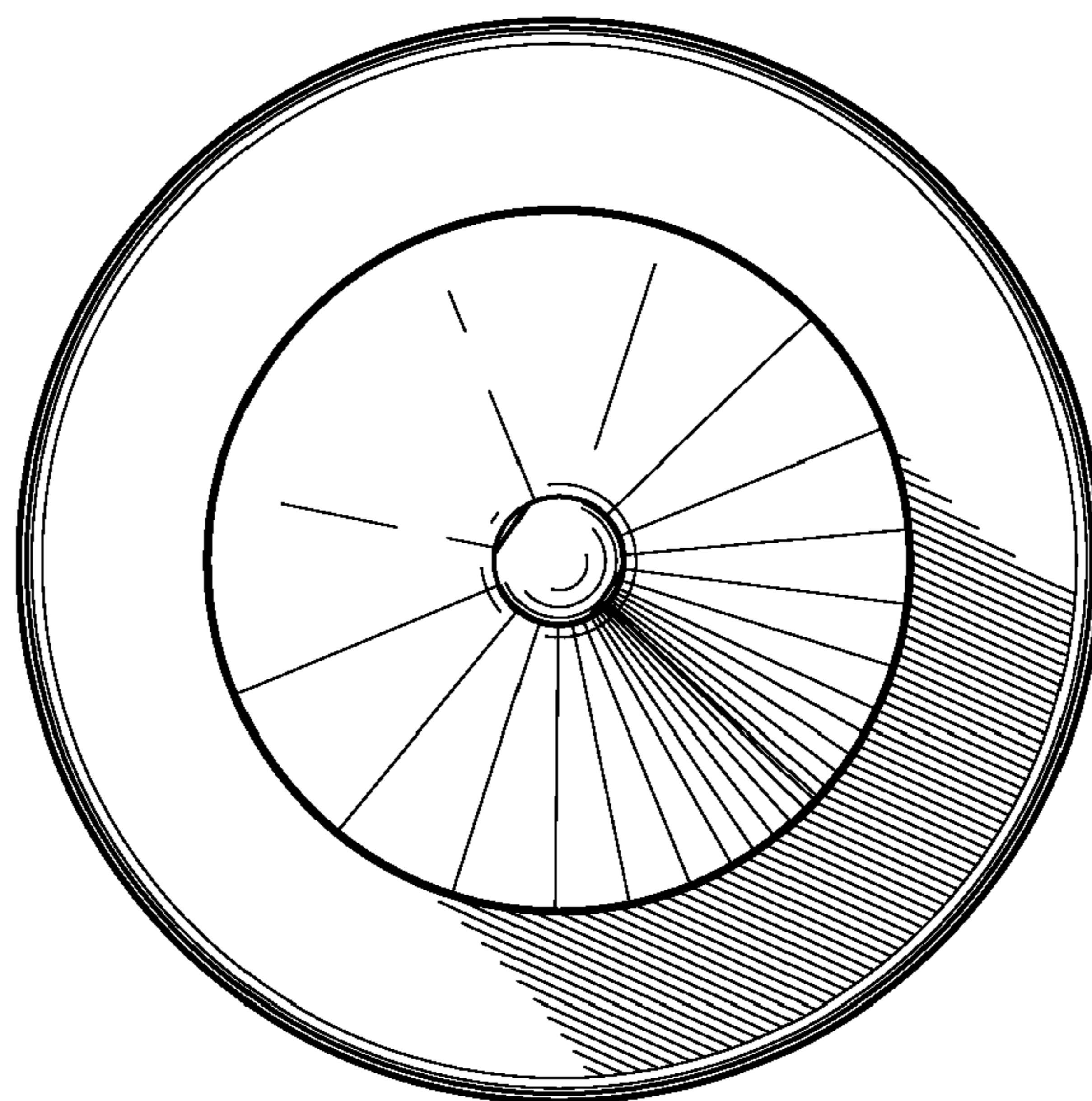
*Fig. 3.*



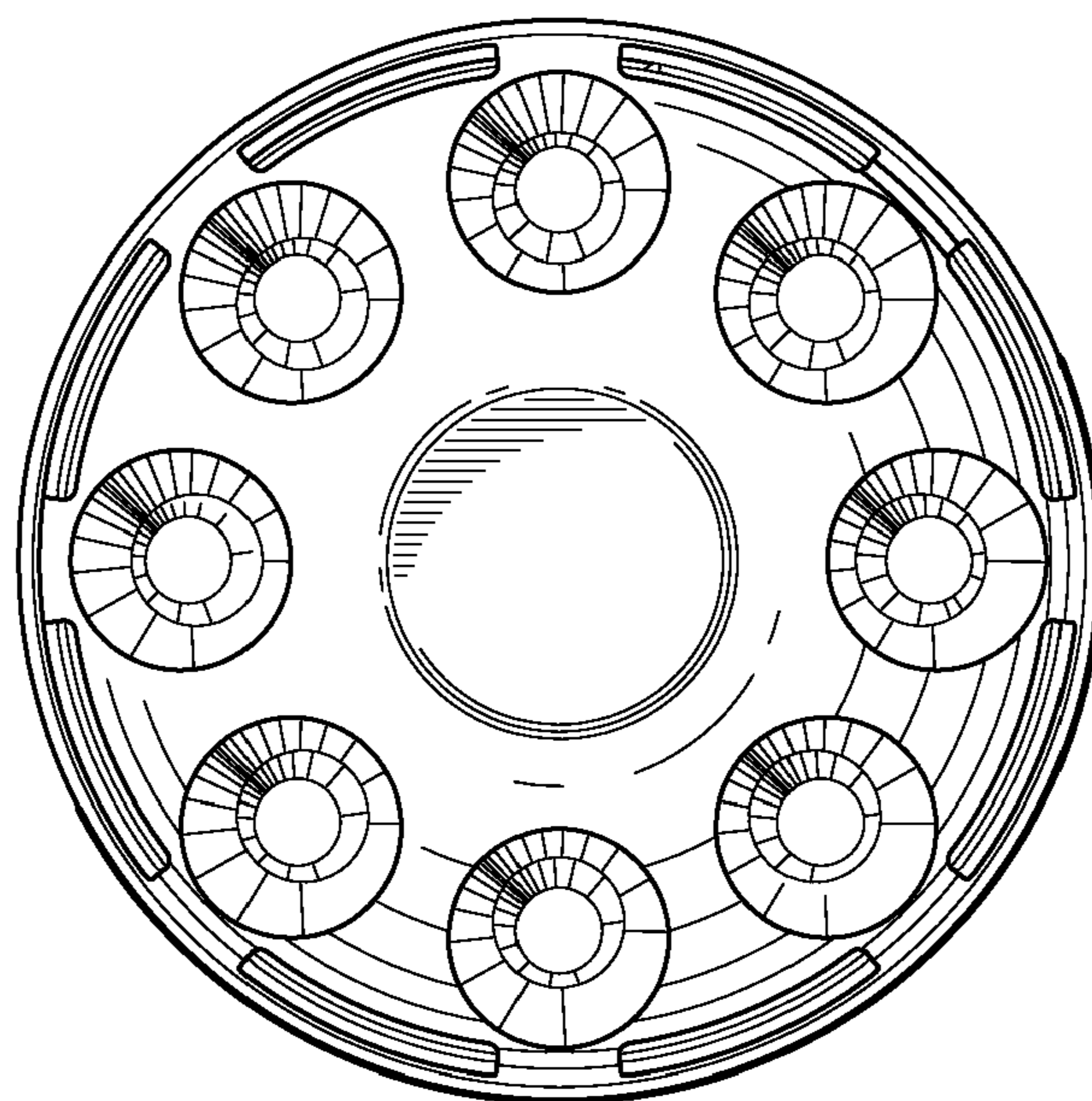
*Fig. 4.*



*Fig. 5.*



***Fig. 6.***



***Fig. 7.***