



US00D590040S

(12) **United States Design Patent**  
**Jovic et al.**

(10) **Patent No.:** **US D590,040 S**  
(45) **Date of Patent:** **\*\* Apr. 7, 2009**

(54) **MOUSETRAP**

(75) Inventors: **Vladan Jovic**, West Ryde (AU);  
**Brendyn Murray Rodgers**, Mt. Waverly  
(AU); **Duncan McLeod Watson**, West  
Ryde (AU)

(73) Assignee: **Reckitt Benckiser (Australia) Pty**  
**Limited**, West Ryde NSW (AU)

(\*\*) Term: **14 Years**

(21) Appl. No.: **29/321,977**

(22) Filed: **Jul. 28, 2008**

(51) **LOC (9) Cl.** ..... **22-05**

(52) **U.S. Cl.** ..... **D22/119**

(58) **Field of Classification Search** ..... D22/119-124;  
43/58, 60-61, 68, 76, 81, 112-114, 124,  
43/131, 132.1

See application file for complete search history.

(56) **References Cited**

**U.S. PATENT DOCUMENTS**

2,510,168 A \* 6/1950 Caldwell et al. .... 43/61

2,529,589 A \* 11/1950 Biery ..... 43/61  
D268,946 S \* 5/1983 Sherman ..... D22/119  
D459,428 S \* 6/2002 Johnson et al. .... D22/119  
D577,412 S \* 9/2008 Nathan et al. .... D22/119

\* cited by examiner

*Primary Examiner*—Catherine R. Oliver

(57) **CLAIM**

The ornamental design for a mousetrap, as shown and described.

**DESCRIPTION**

FIG. 1 is a front perspective view of a mousetrap;  
FIG. 2 is an elevation view of the front thereof;  
FIG. 3 is an elevation view of the rear thereof;  
FIG. 4 is an elevation view of the left side thereof;  
FIG. 5 is an elevation view of the right side thereof;  
FIG. 6 is a plan view of the top thereof; and,  
FIG. 7 is a plan view of the bottom thereof.

**1 Claim, 7 Drawing Sheets**

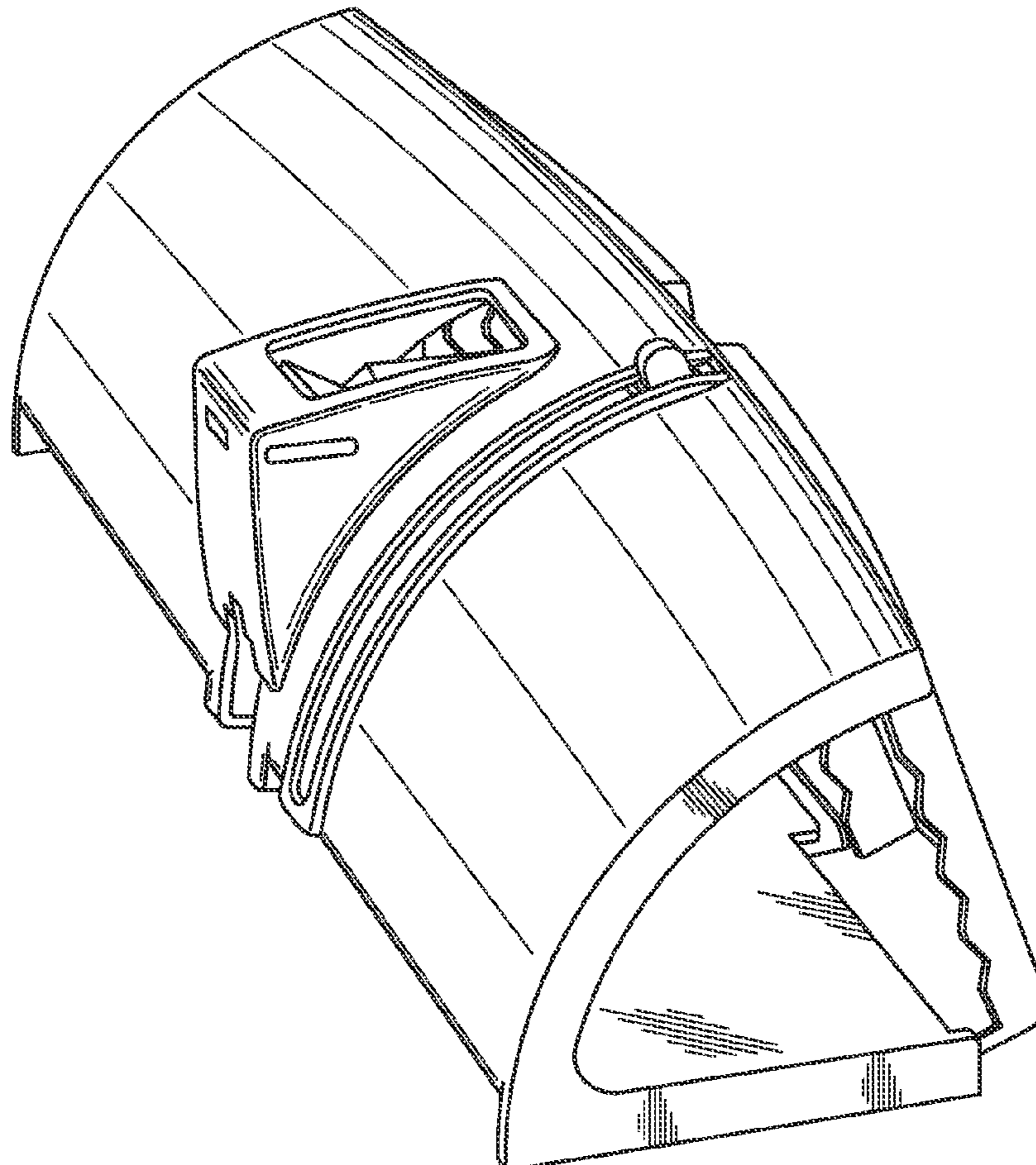


Fig. 1

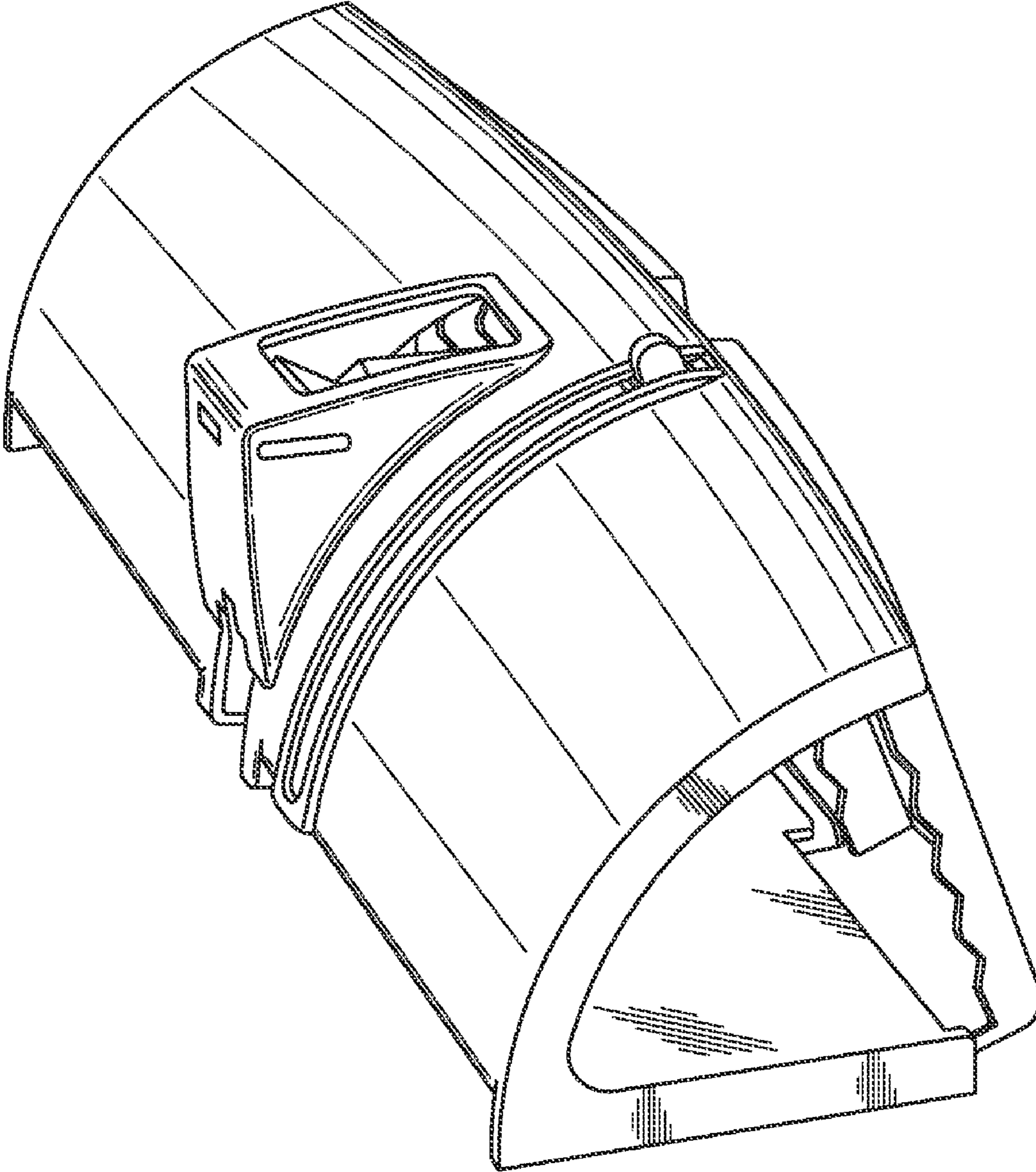


Fig. 2

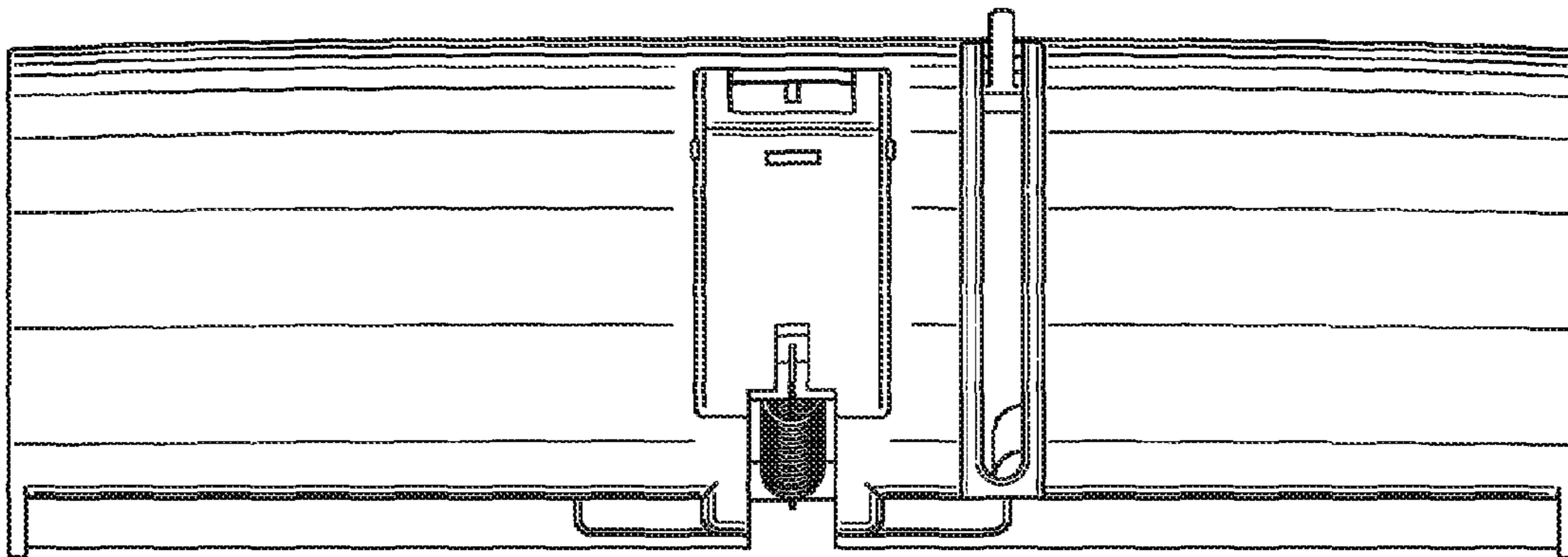


Fig. 3

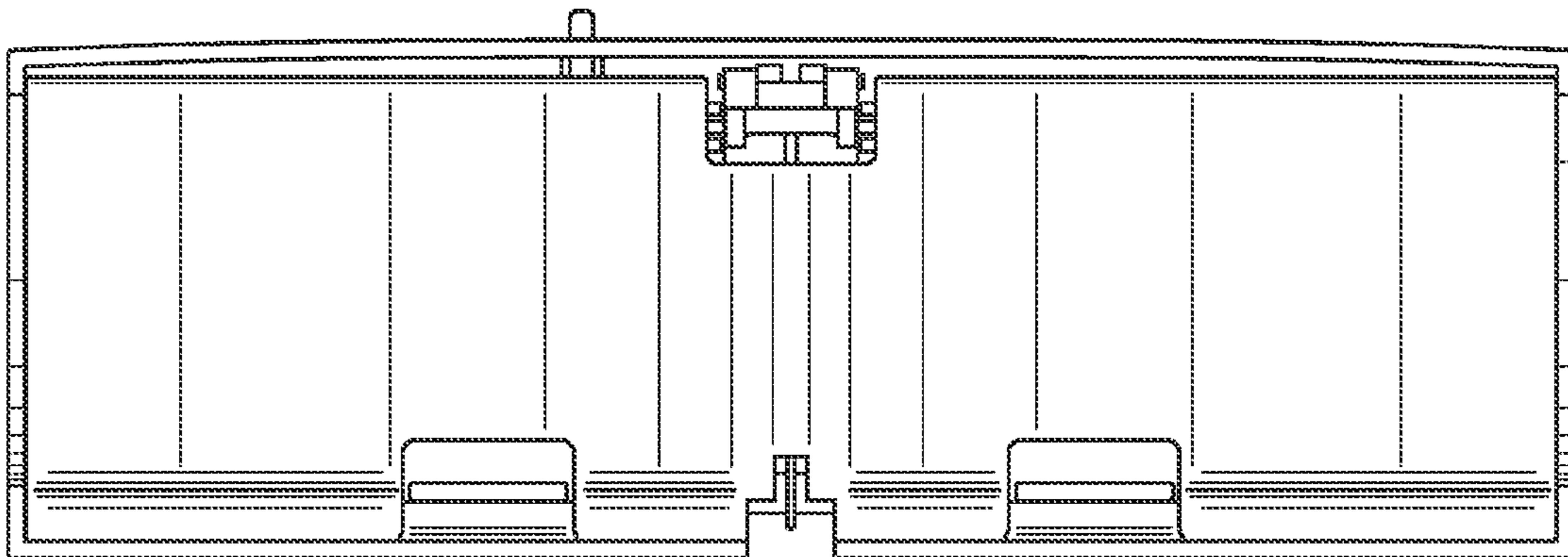
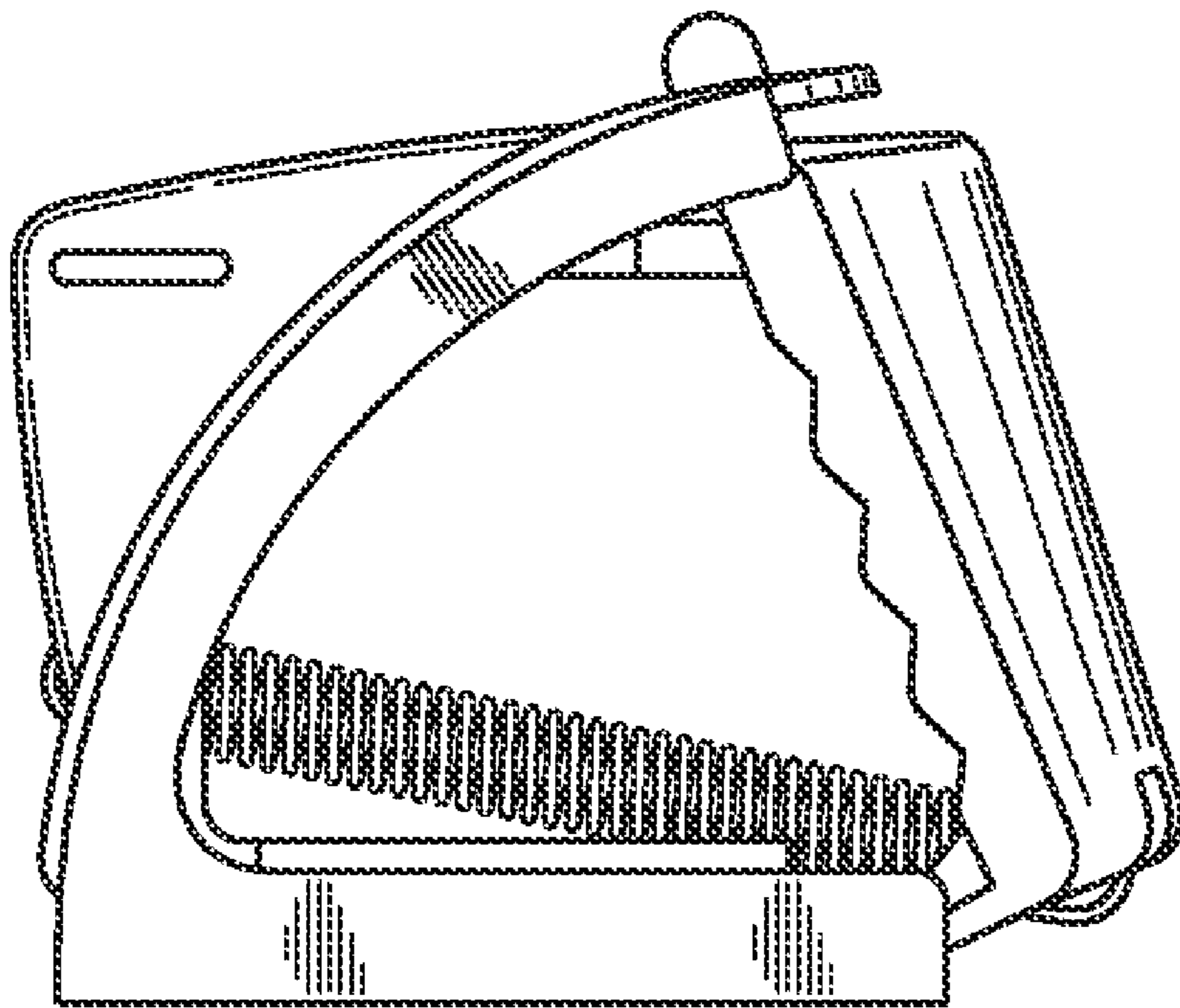


Fig. 4



**Fig. 5**

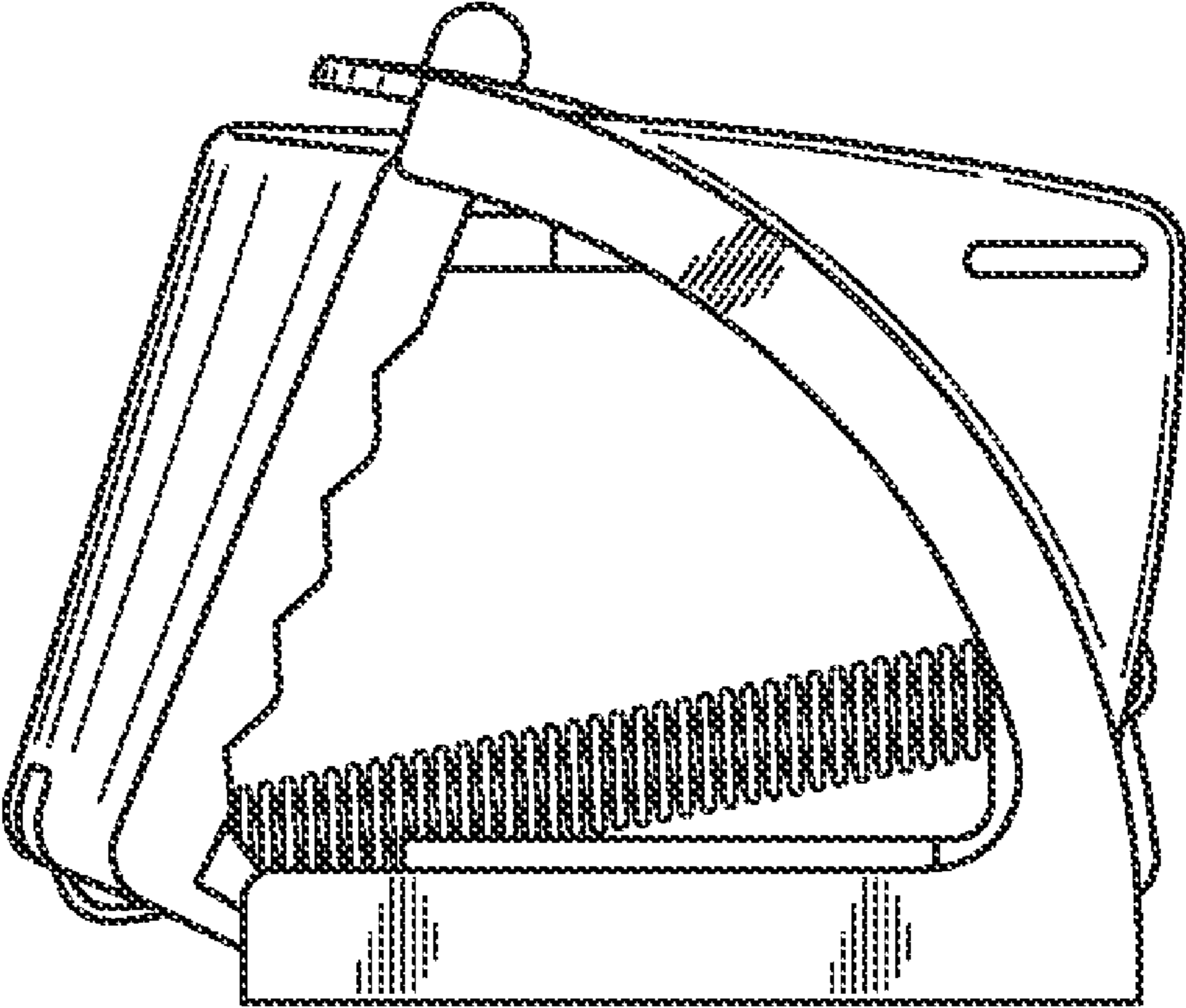


Fig. 6

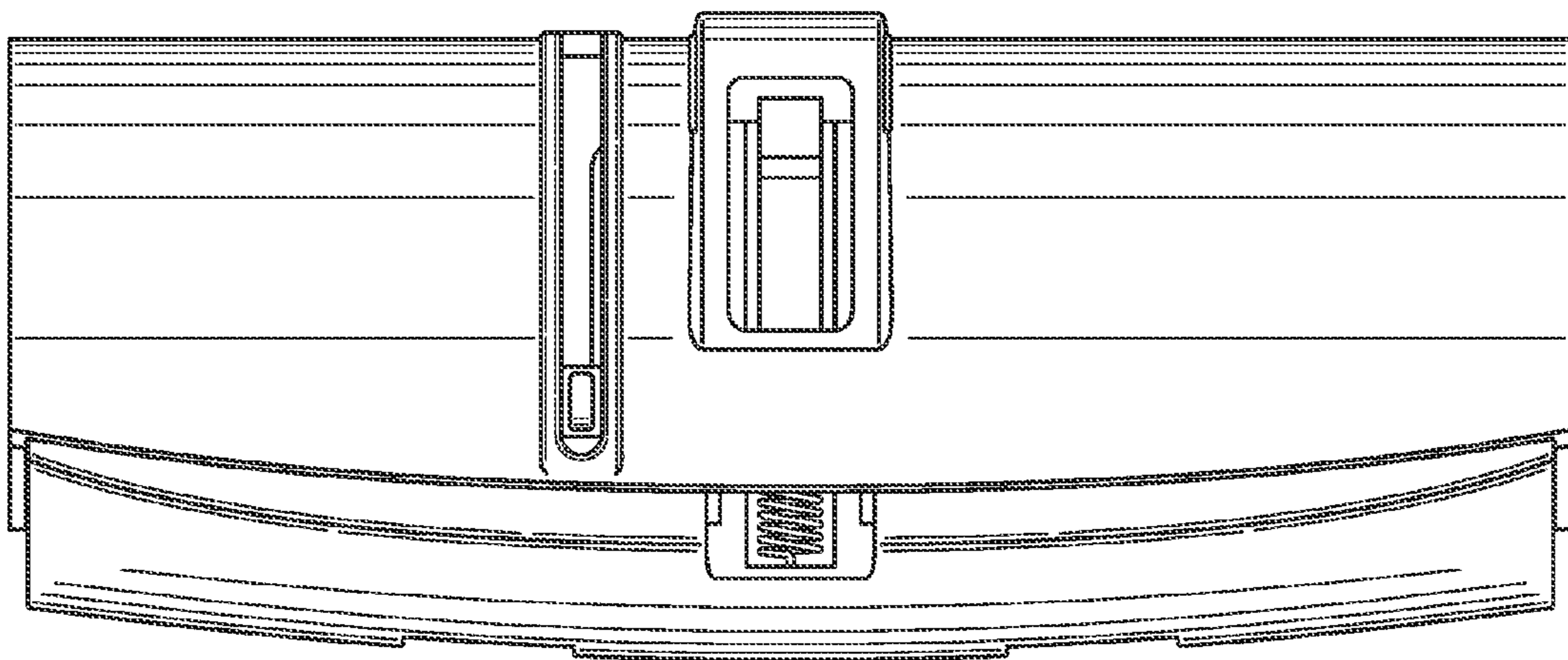


Fig. 7

