



US00D590035S

(12) **United States Design Patent**
Hilton

(10) **Patent No.:** **US D590,035 S**

(45) **Date of Patent:** **** Apr. 7, 2009**

(54) **PUTTER HEAD**

(75) Inventor: **Thomas R. Hilton**, Cardiff, CA (US)

(73) Assignee: **Callaway Golf Company**, Carlsbad, CA (US)

(**) Term: **14 Years**

(21) Appl. No.: **29/320,853**

(22) Filed: **Jul. 7, 2008**

(51) **LOC (9) Cl.** **21-02**

(52) **U.S. Cl.** **D21/744**

(58) **Field of Classification Search** D21/736-746;
473/324-331, 340-341

See application file for complete search history.

(56) **References Cited**

U.S. PATENT DOCUMENTS

D323,867 S *	2/1992	Rizzotto	D21/740
D421,471 S *	3/2000	Moldovan	D21/744
6,402,638 B1 *	6/2002	Kelley	473/340
D505,702 S *	5/2005	Wood	D21/736
D517,143 S *	3/2006	Petsel et al.	D21/742
D532,844 S *	11/2006	Rollinson	D21/736
D532,845 S *	11/2006	Rollinson	D21/736
D536,400 S *	2/2007	DiBattista, Sr.	D21/736
D565,687 S *	4/2008	Kung	D21/793

D573,673 S *	7/2008	Noyes	D21/736
D574,908 S *	8/2008	Hettinger et al.	D21/743
D577,398 S *	9/2008	Hilton	D21/744
D582,497 S *	12/2008	Rollinson	D21/744
D585,510 S *	1/2009	Murrieta	D21/736

* cited by examiner

Primary Examiner—Mitchell I Siegel

(74) *Attorney, Agent, or Firm*—Michael A. Catania; Elaine H. Lo

(57) **CLAIM**

The ornamental design for a putter head, as shown and described.

DESCRIPTION

FIG. 1 is a top perspective view of a putter head as claimed herein;

FIG. 2 is a front view thereof;

FIG. 3 is a rear view thereof;

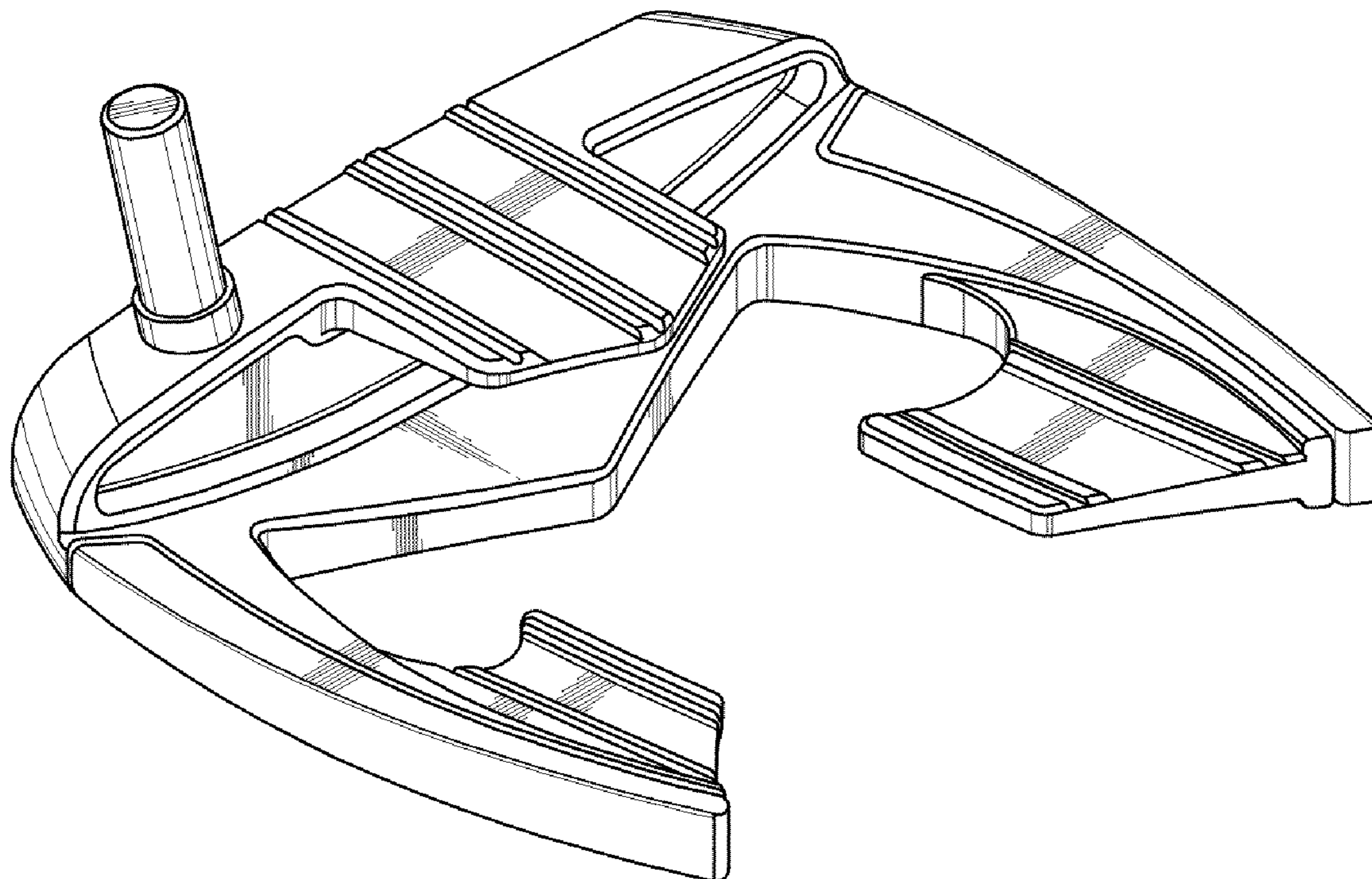
FIG. 4 is a top plan view thereof;

FIG. 5 is a bottom plan view thereof;

FIG. 6 is a heel elevational view thereof; and,

FIG. 7 is a toe elevational view thereof.

1 Claim, 3 Drawing Sheets



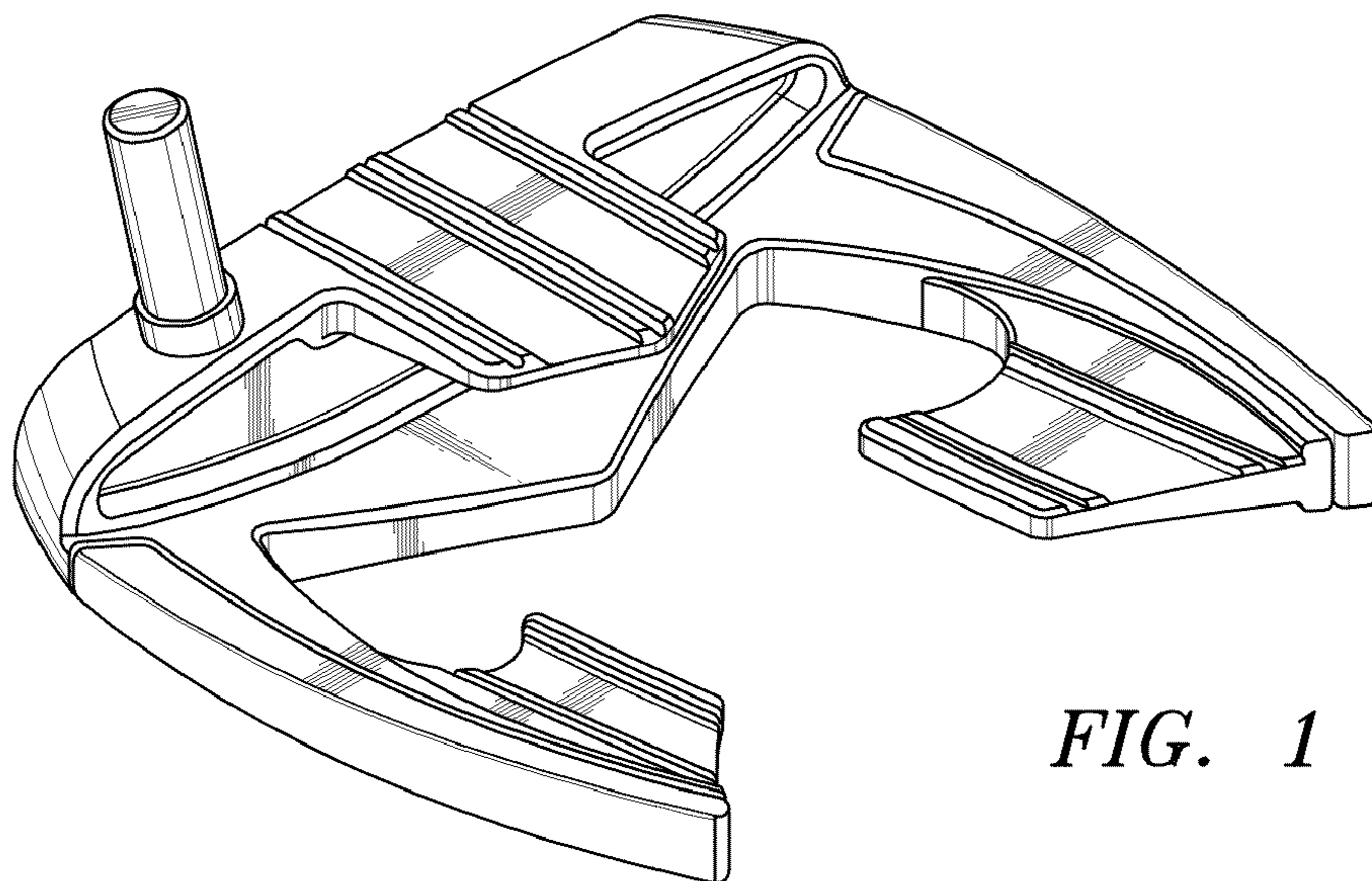


FIG. 1

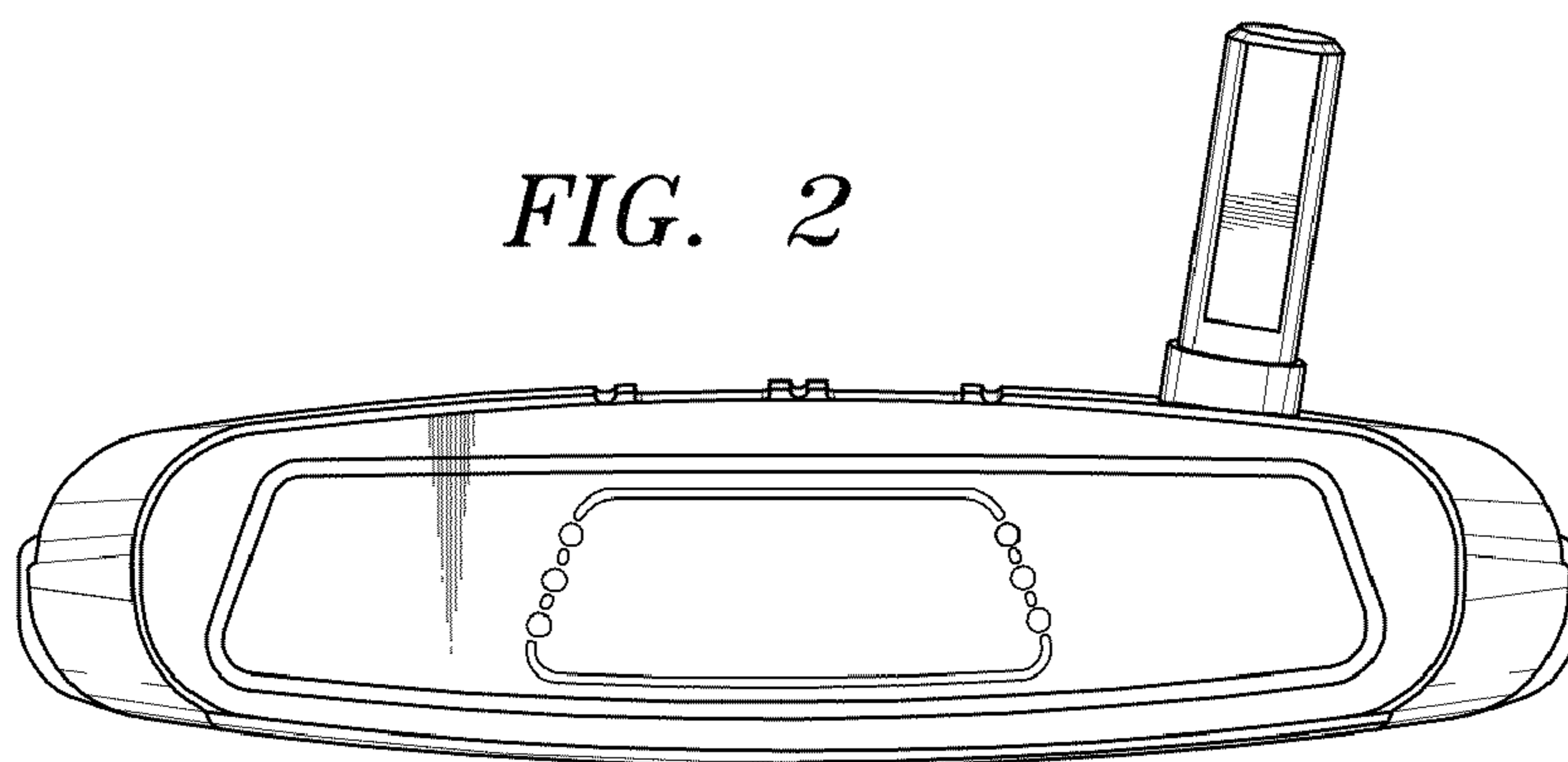


FIG. 2

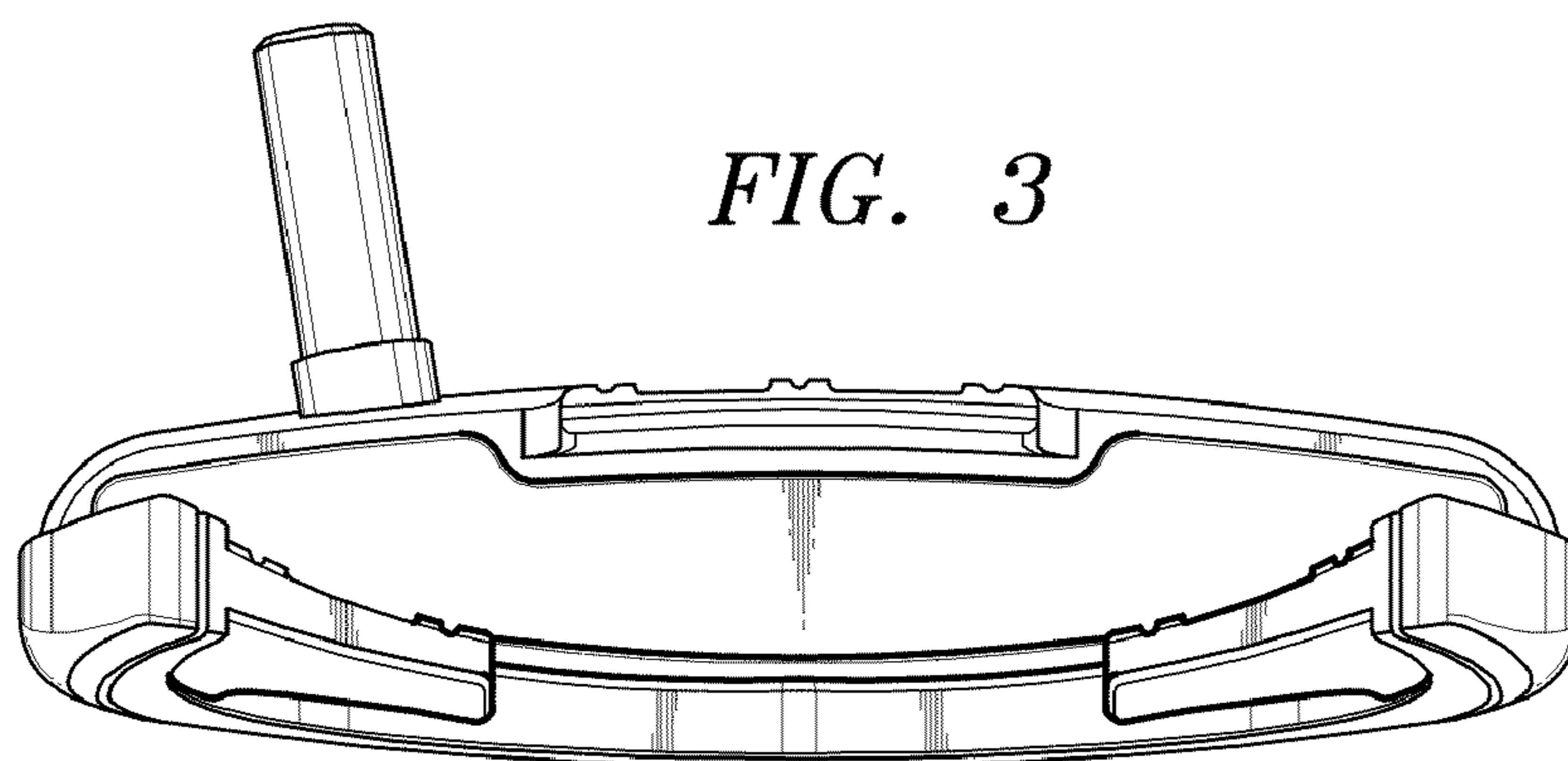


FIG. 3

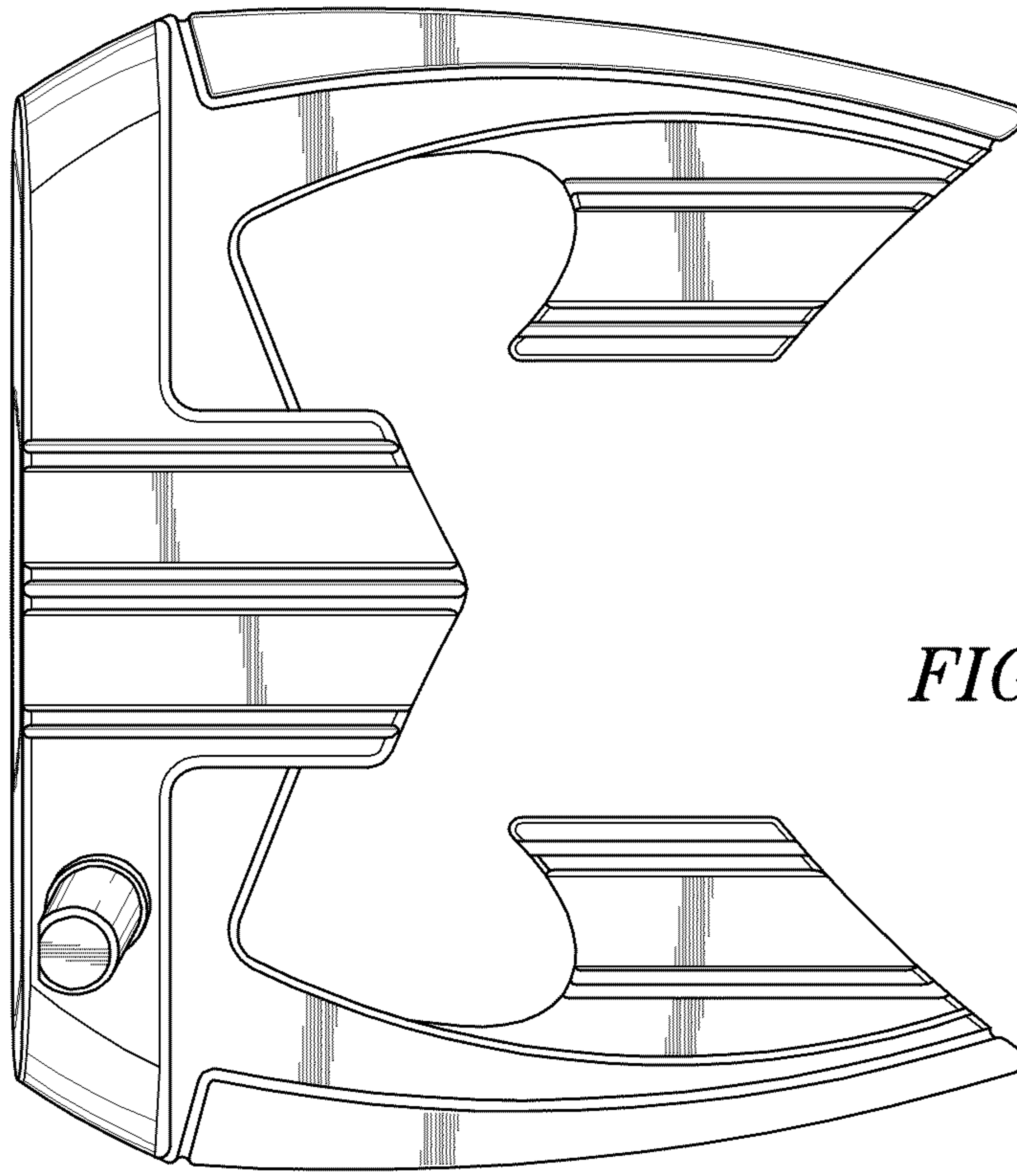


FIG. 4

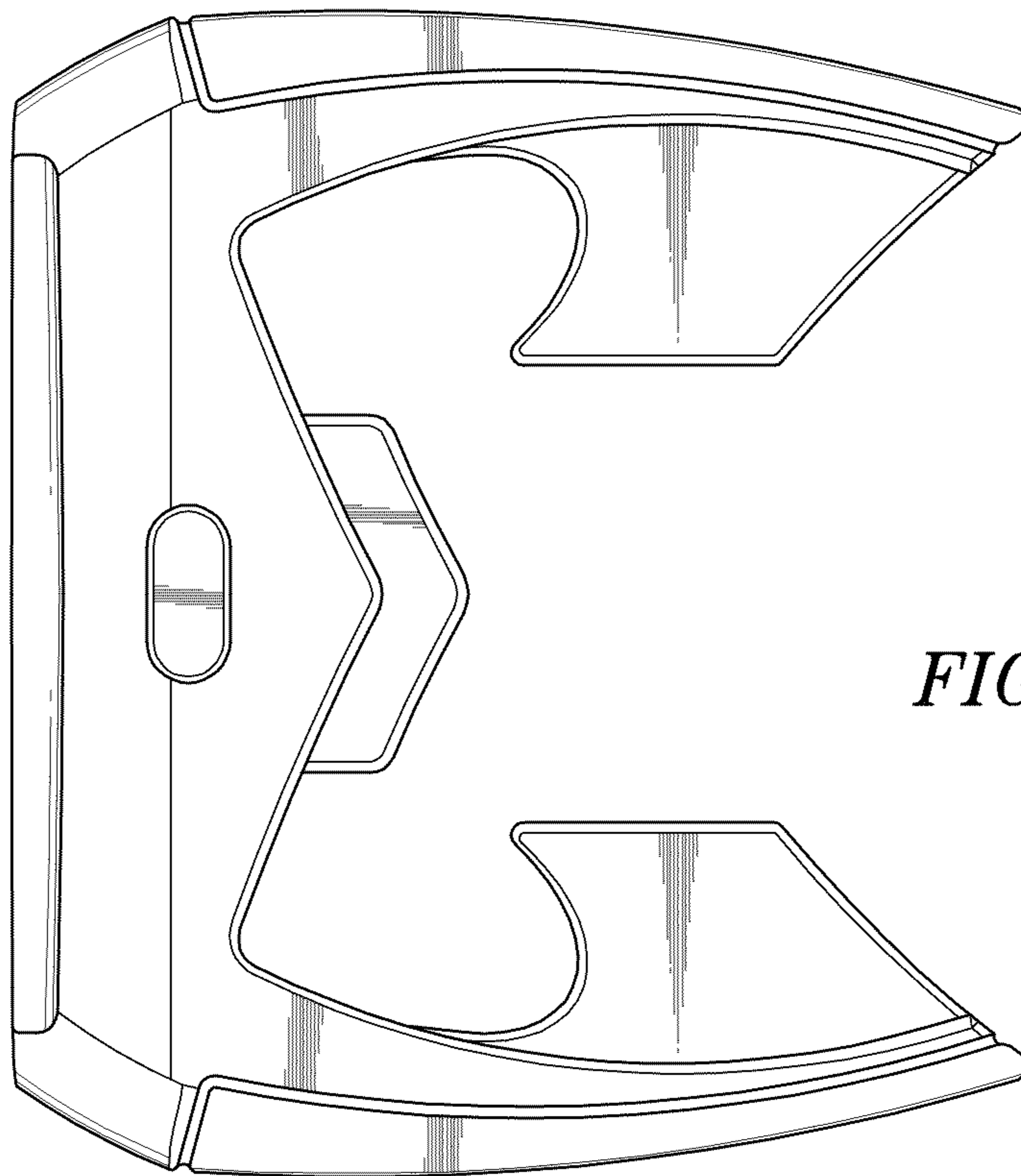


FIG. 5

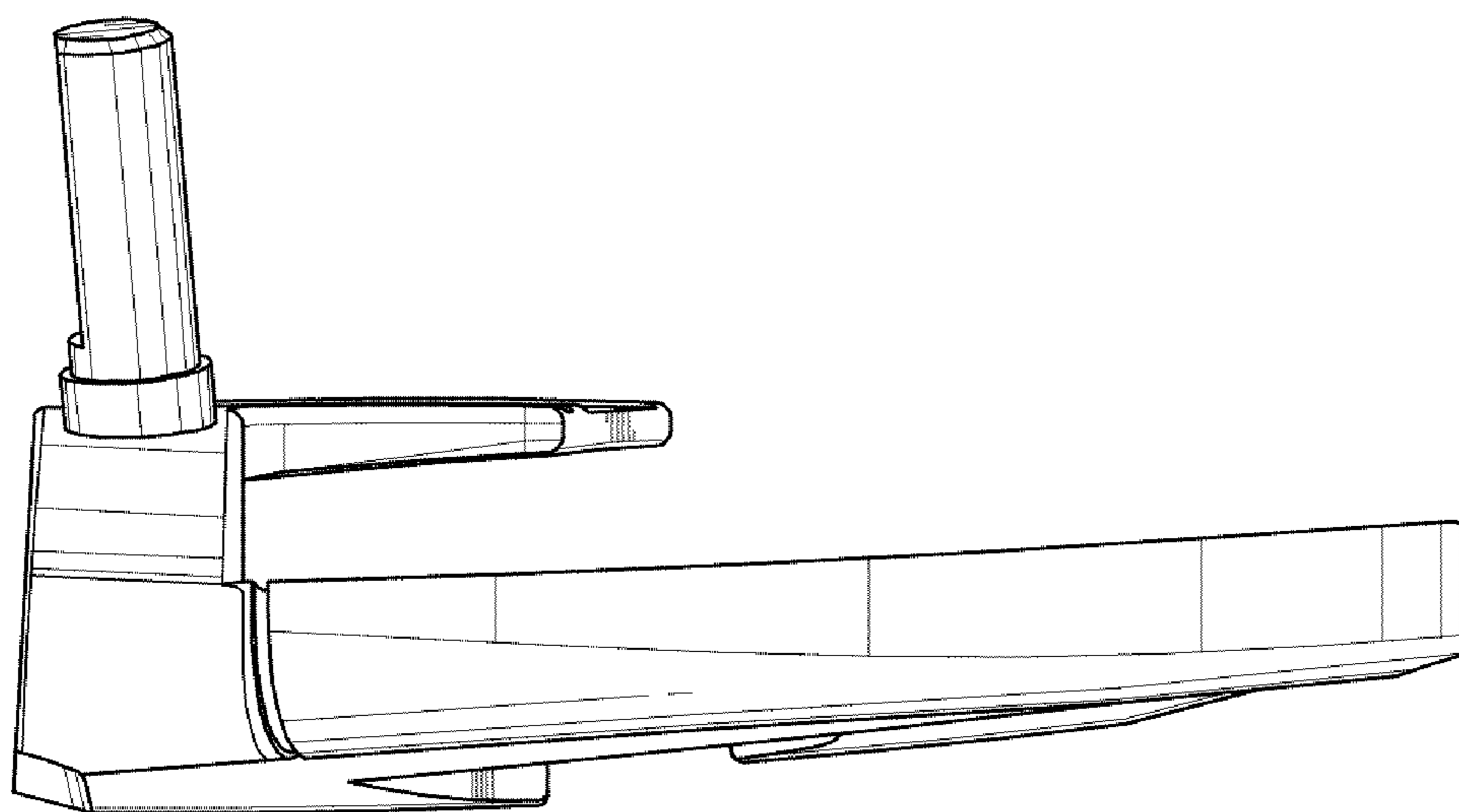


FIG. 6

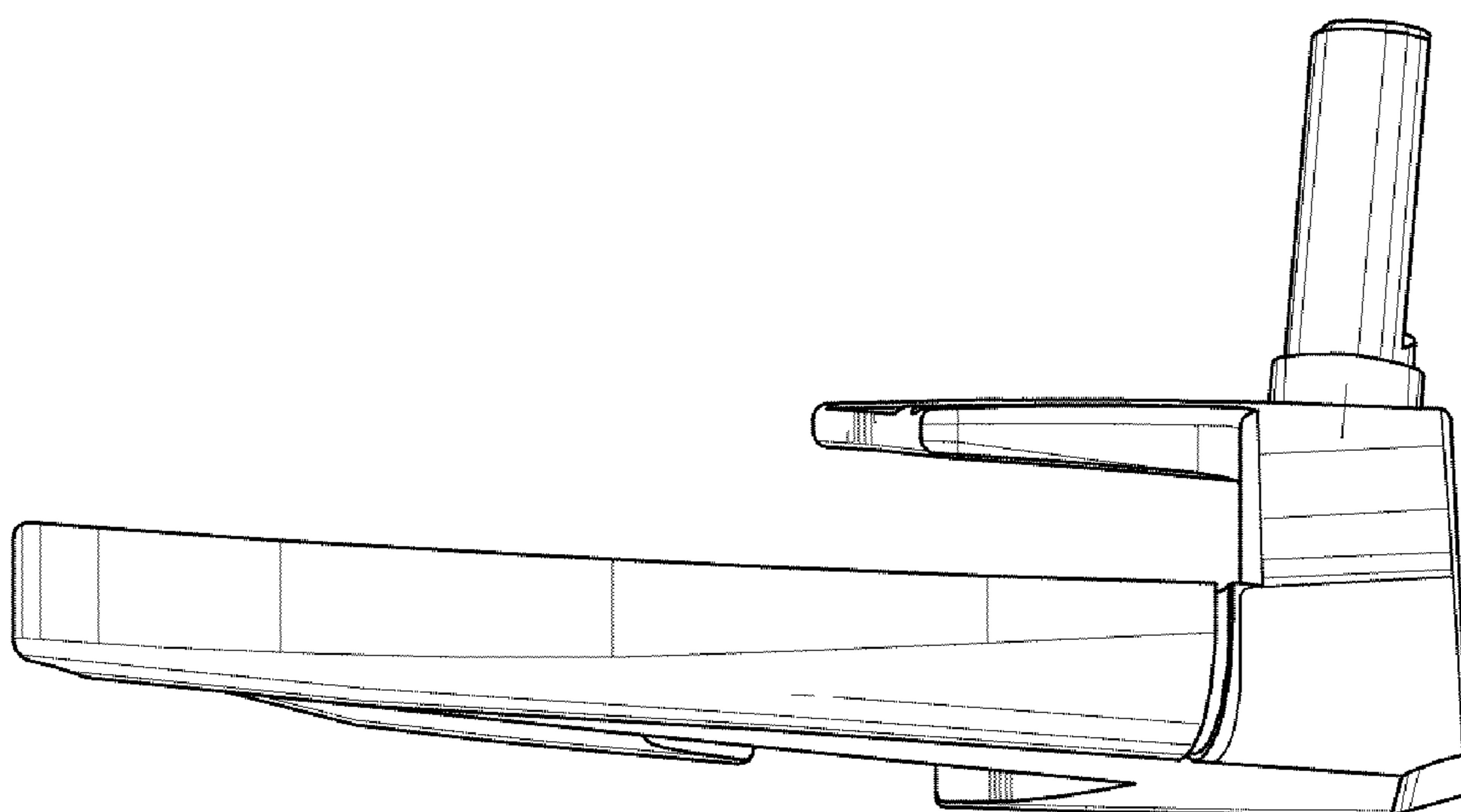


FIG. 7