



US00D590032S

(12) **United States Design Patent**  
**Webber et al.**

(10) **Patent No.:** **US D590,032 S**  
(45) **Date of Patent:** **\*\* Apr. 7, 2009**

- (54) **SUPPORT FRAME FOR WEIGHT LIFTING EXERCISE MACHINE**
  - (75) Inventors: **Randall T. Webber**, La Jolla, CA (US);  
**Bruce Hockridge**, San Diego, CA (US)
  - (73) Assignee: **Hoist Fitness Systems, Inc.**, San Diego, CA (US)
  - (\*\*) Term: **14 Years**
  - (21) Appl. No.: **29/297,625**
  - (22) Filed: **Nov. 14, 2007**
  - (51) **LOC (9) Cl.** ..... **21-02**
  - (52) **U.S. Cl.** ..... **D21/673; D21/691**
  - (58) **Field of Classification Search** ..... D21/662,  
D21/675, 676, 686, 690, 691, 694; D6/552;  
211/41.1; 482/93, 94, 95, 98, 99, 100, 101,  
482/104
- See application file for complete search history.

D560,089 S \* 1/2008 DeMeyer ..... D6/552  
 D568,946 S \* 5/2008 Lau ..... D21/438  
 7,374,516 B2 \* 5/2008 Lundquist ..... 482/104  
 2007/0203002 A1 8/2007 Webber

**FOREIGN PATENT DOCUMENTS**

WO WO92/22357 12/1992

**OTHER PUBLICATIONS**

Smith Machine PFW-7700, Paramount Fitness 2002.  
 Smith Machine FSSM, Life Fitness 2005.  
 Hoist Full Cage and Half Cage Ensemble, Hoist Fitness Systems Catalog, 2000.  
 HFOPT 900-02, pages from Owner's Manual, Jan. 2000.  
 Floating Smith, Serious Lifting Brochure, p. 7, date unknown.  
 3-D Smith, Max Rack flyer, date unknown.  
 The Jones Machine, Bodycraft website, <http://www.bodycraft.com/jones.tpl>, earliest date of publication unknown.  
 The Slammer, Positrak brochure, date unknown.  
 The Max Rack Squat Machine, Date Unknown.

\* cited by examiner

*Primary Examiner*—Philip S Hyder  
 (74) *Attorney, Agent, or Firm*—Procopio, Cory, Hargreaves & Savitch LLP

(56) **References Cited**

**U.S. PATENT DOCUMENTS**

- 3,235,255 A 2/1966 LeFlar
- 4,564,194 A 1/1986 Dawson
- 4,795,149 A 1/1989 Pearson
- 4,836,535 A 6/1989 Pearson
- 5,050,868 A 9/1991 Pearson
- 5,184,992 A 2/1993 Banks
- 5,215,510 A 6/1993 Baran
- 5,273,506 A 12/1993 Dawson, Jr.
- 5,569,133 A 10/1996 Vittone
- 5,669,859 A 9/1997 Liggett et al.
- D454,930 S \* 3/2002 Novak ..... D21/686
- 6,623,409 B1 \* 9/2003 Abelbeck ..... 482/104
- 6,685,601 B1 2/2004 Knapp
- 6,811,521 B1 \* 11/2004 Musso ..... 482/104
- 6,926,649 B2 \* 8/2005 Slawinski ..... 482/104
- D512,471 S \* 12/2005 Panatta ..... D21/673
- 6,974,039 B2 \* 12/2005 Comartin et al. .... 211/41.1
- 7,014,601 B2 \* 3/2006 Savage et al. .... 482/142
- 7,131,937 B2 11/2006 Skilken et al.

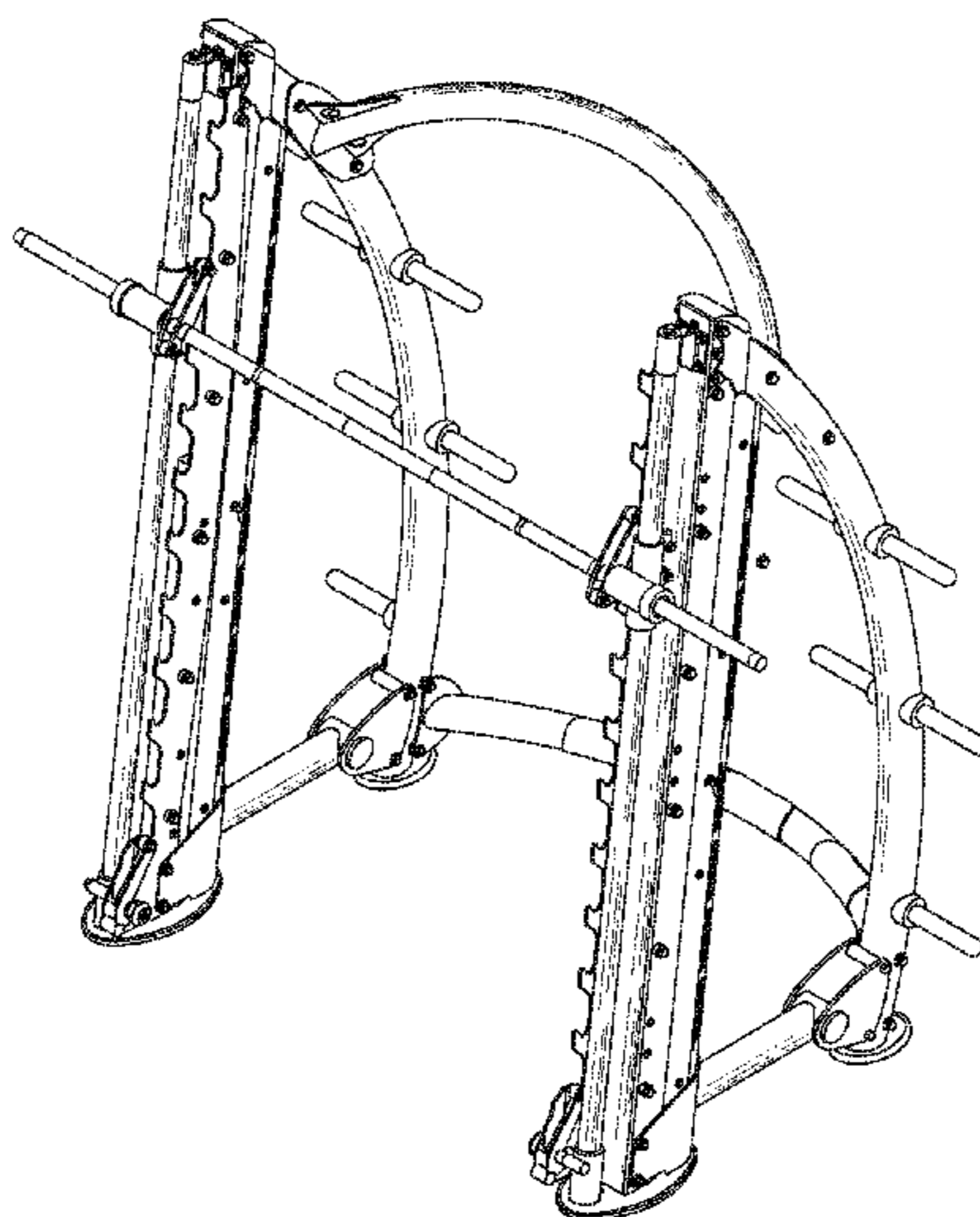
(57) **CLAIM**

The ornamental design for a support frame for weightlifting exercise machine, as shown and described.

**DESCRIPTION**

FIG. 1 is a front perspective view of a support frame for weightlifting exercise machine, showing our new design;  
 FIG. 2 is a top plan view thereof;  
 FIG. 3 is a bottom plan view thereof;  
 FIG. 4 is a right side elevation view thereof, the left side being a mirror image thereof;  
 FIG. 5 is a rear elevation view thereof; and,  
 FIG. 6 is a front elevation view thereof.

**1 Claim, 5 Drawing Sheets**



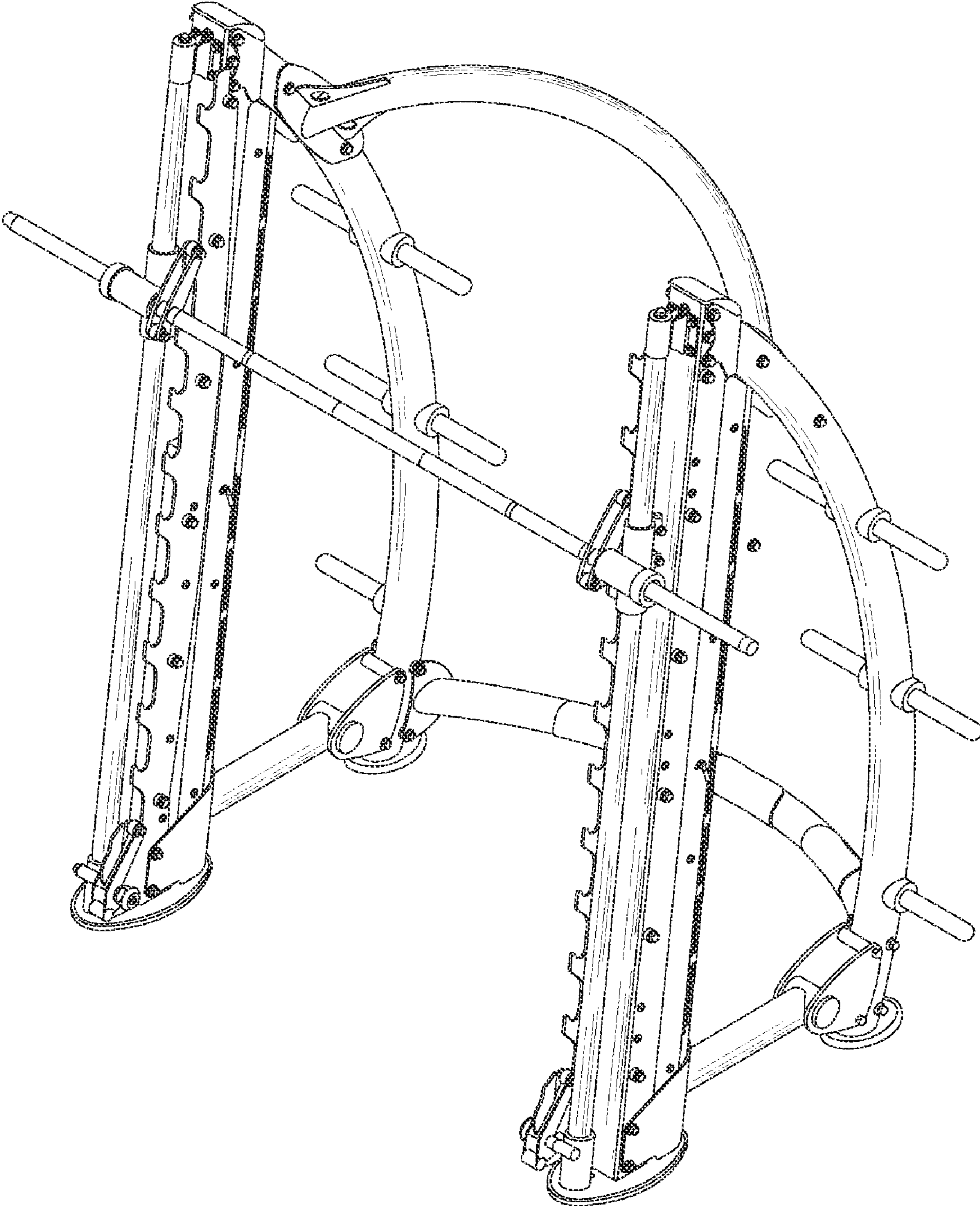


FIG. 1

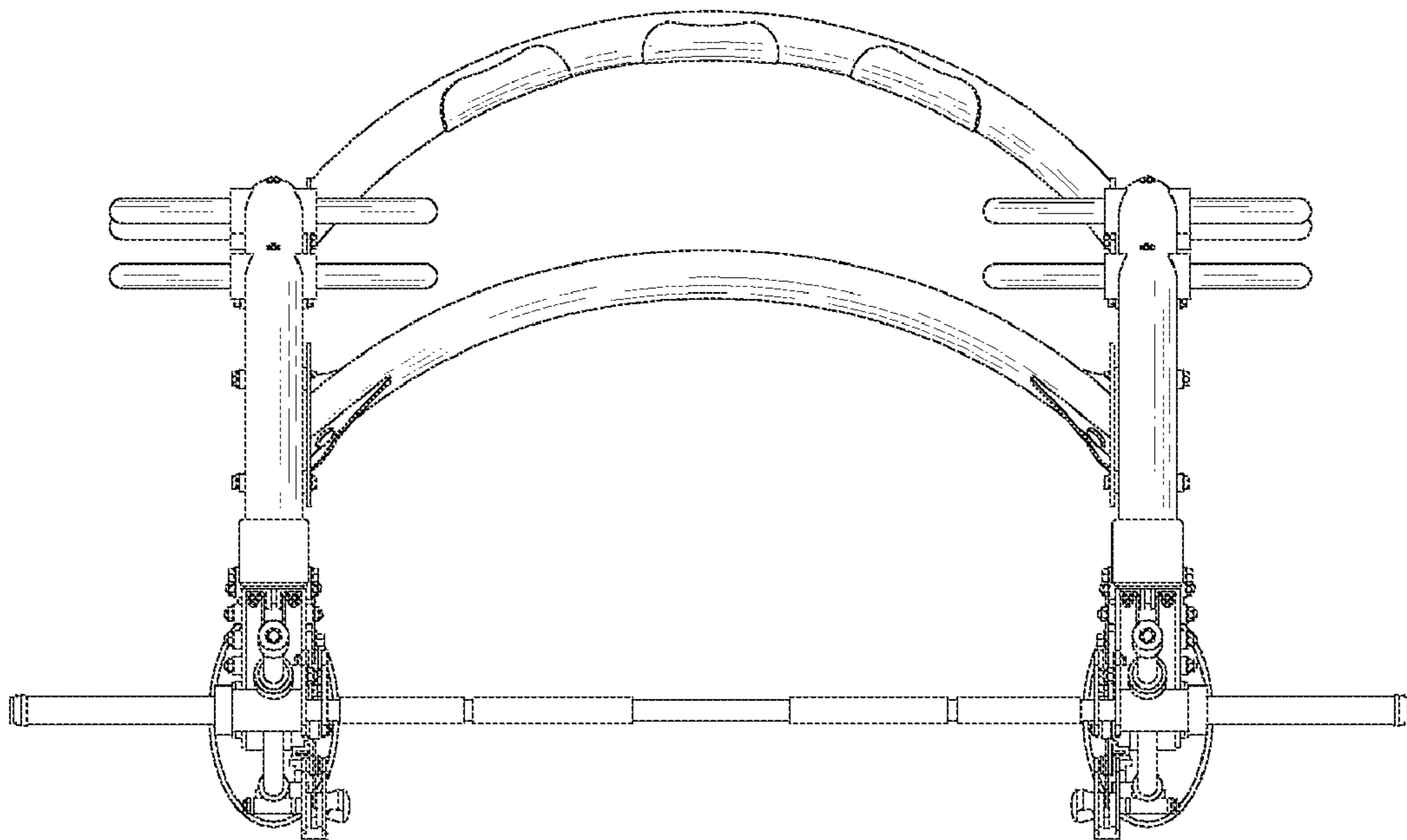


FIG. 2

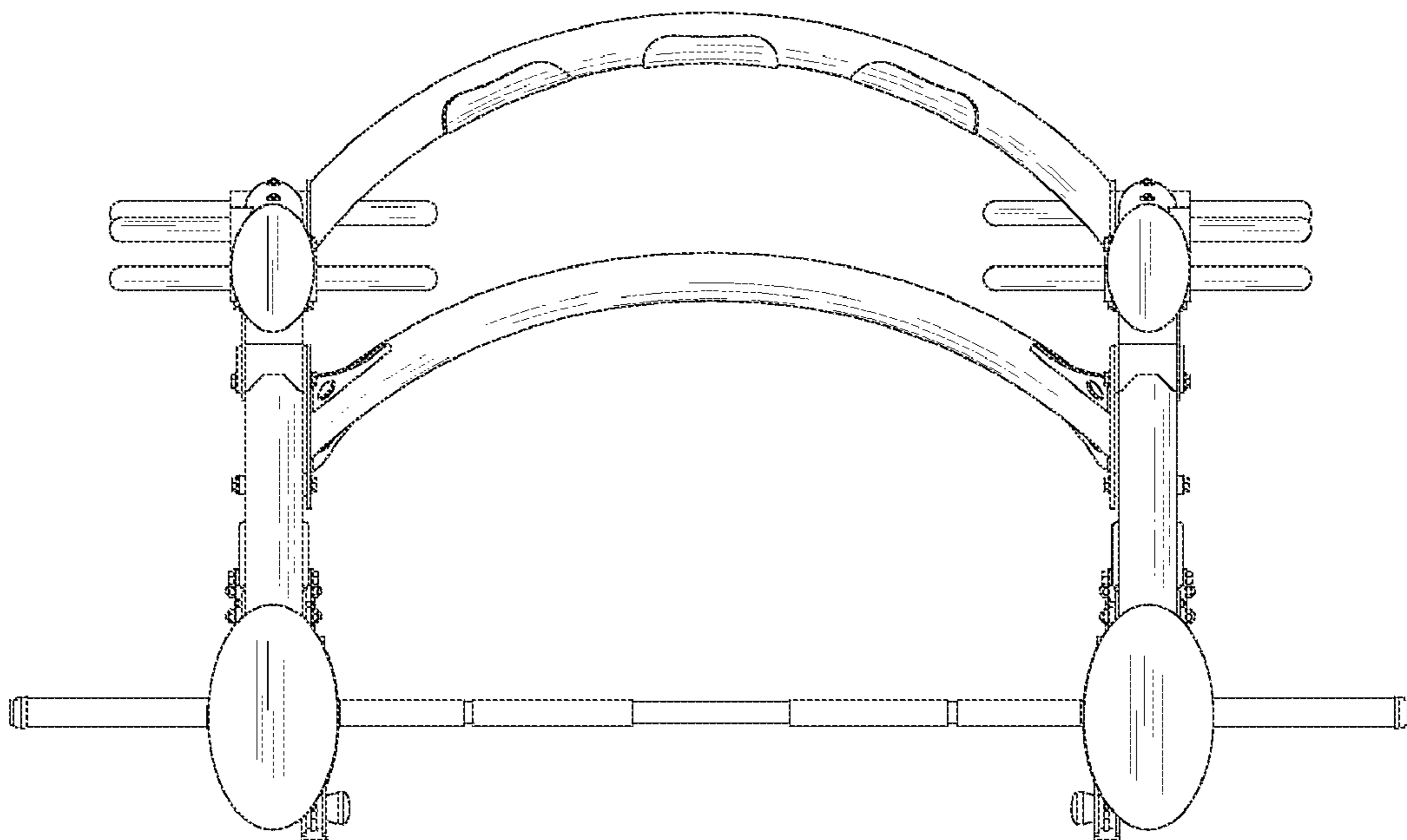


FIG. 3

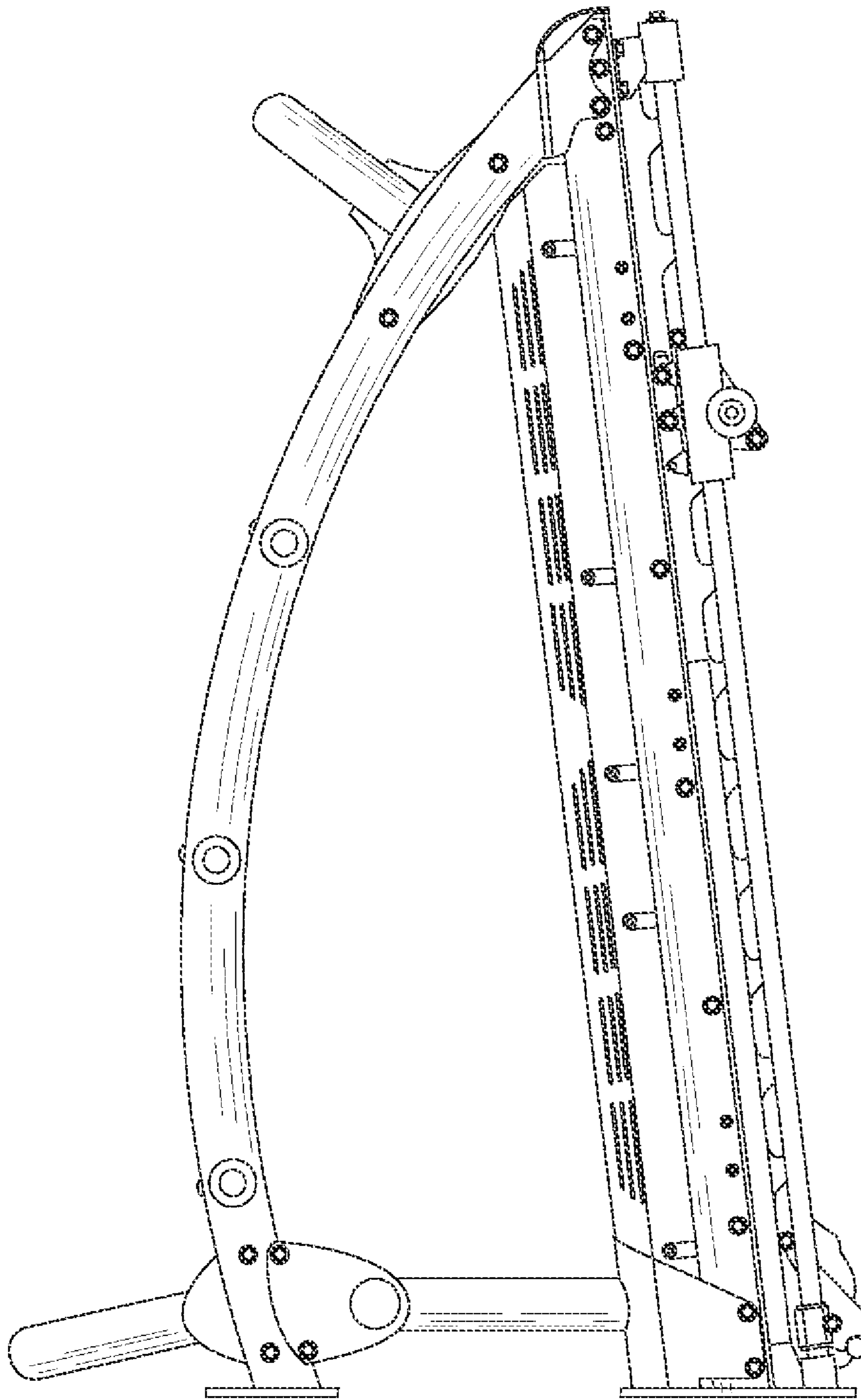


FIG. 4

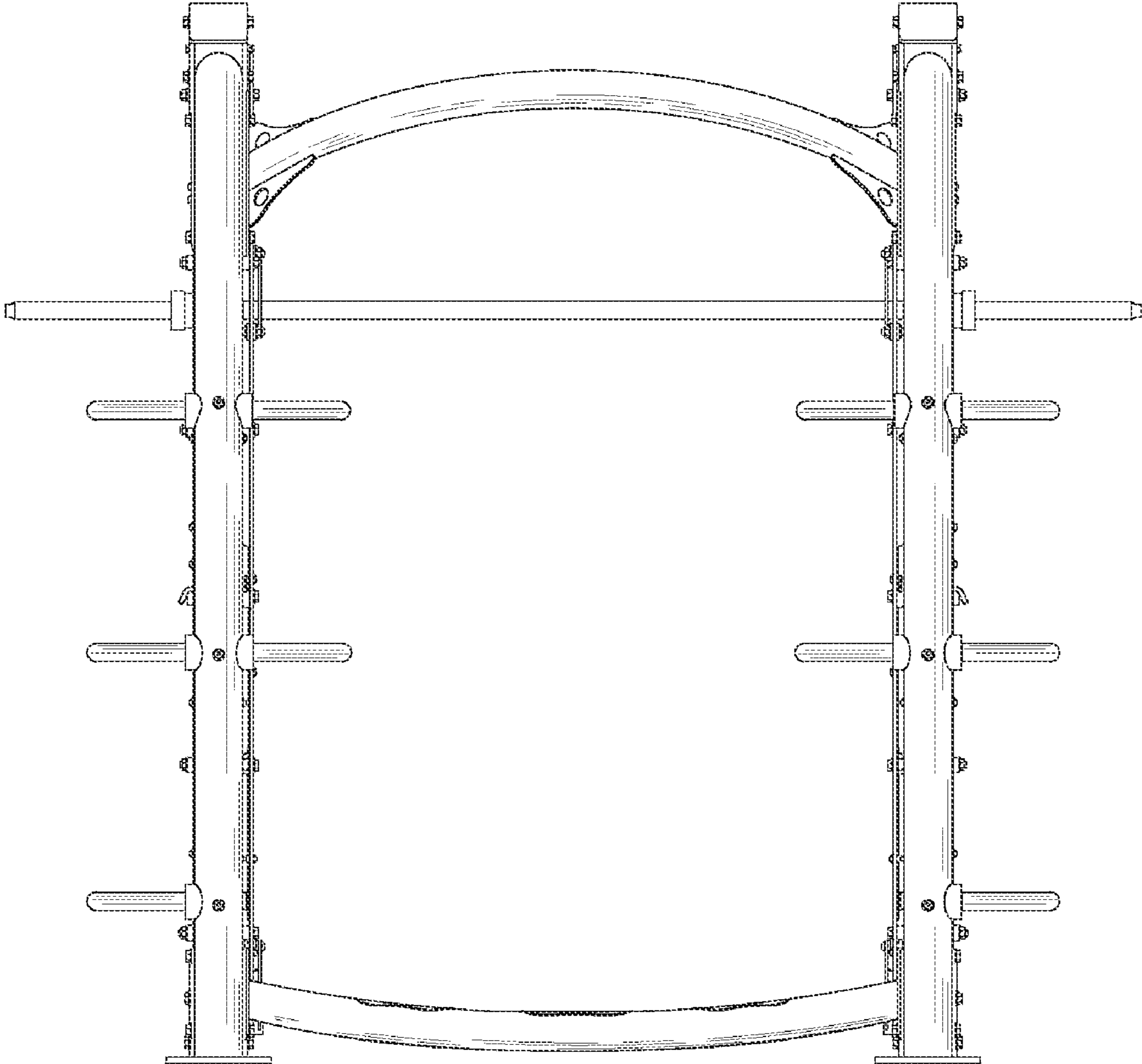


FIG. 5

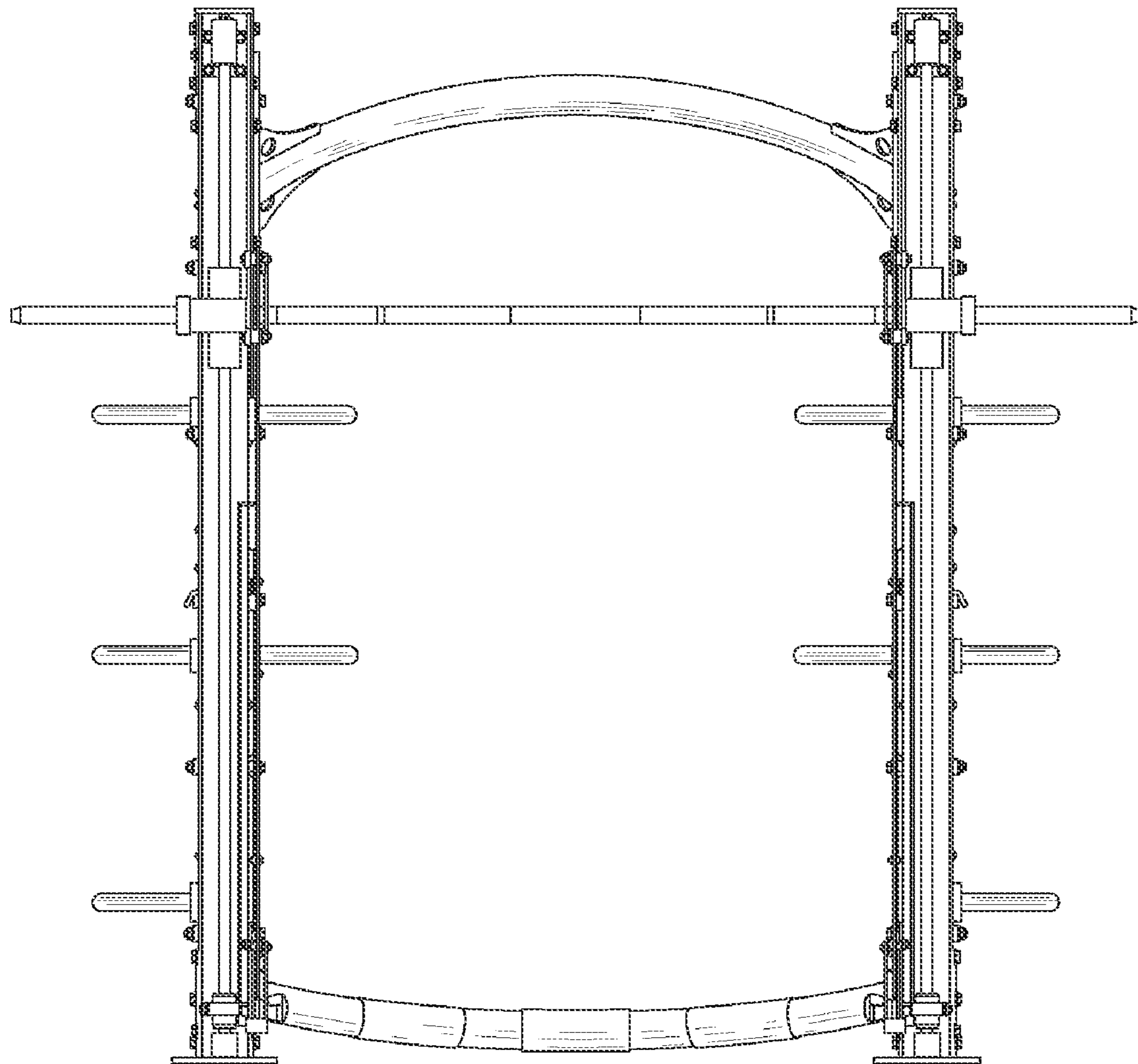


FIG. 6