

US00D590030S

(12) **United States Design Patent**
Manderbacka

(10) **Patent No.:** **US D590,030 S**

(45) **Date of Patent:** **** Apr. 7, 2009**

(54) **EXERCISE WALL FOR SPORT PURPOSES**

(56) **References Cited**

(75) **Inventor:** **Mats Manderbacka**, Kokkola (FI)

U.S. PATENT DOCUMENTS

(73) **Assignee:** **AB Hur Oy**, Kokkola (FI)

4,159,112	A	*	6/1979	O'Brian et al.	482/36
D257,720	S	*	12/1980	Rockman	D10/109
5,660,365	A	*	8/1997	Glick	248/459
6,551,215	B1	*	4/2003	Gordon	482/35
D538,878	S	*	3/2007	Kearl	D21/827

(**) **Term:** **14 Years**

(21) **Appl. No.:** **29/309,668**

* cited by examiner

(22) **Filed:** **Sep. 25, 2008**

Primary Examiner—Philip S Hyder

Related U.S. Application Data

(74) *Attorney, Agent, or Firm*—Nixon & Vanderhye, P.C.

(62) Division of application No. 29/287,670, filed on Sep. 6, 2007.

(57) **CLAIM**

(30) **Foreign Application Priority Data**

The ornamental design for an exercise wall for sport purposes, as shown and described.

Mar. 9, 2007	(EM)	000689856-0001
Mar. 9, 2007	(EM)	000689856-0002
Mar. 9, 2007	(EM)	000689856-0003
Mar. 9, 2007	(EM)	000689856-0004
Mar. 9, 2007	(EM)	000689856-0005
Mar. 9, 2007	(EM)	000689856-0006
Mar. 9, 2007	(EM)	000689856-0007
Mar. 9, 2007	(EM)	000689856-0008

DESCRIPTION

(51) **LOC (9) Cl.** **21-02**

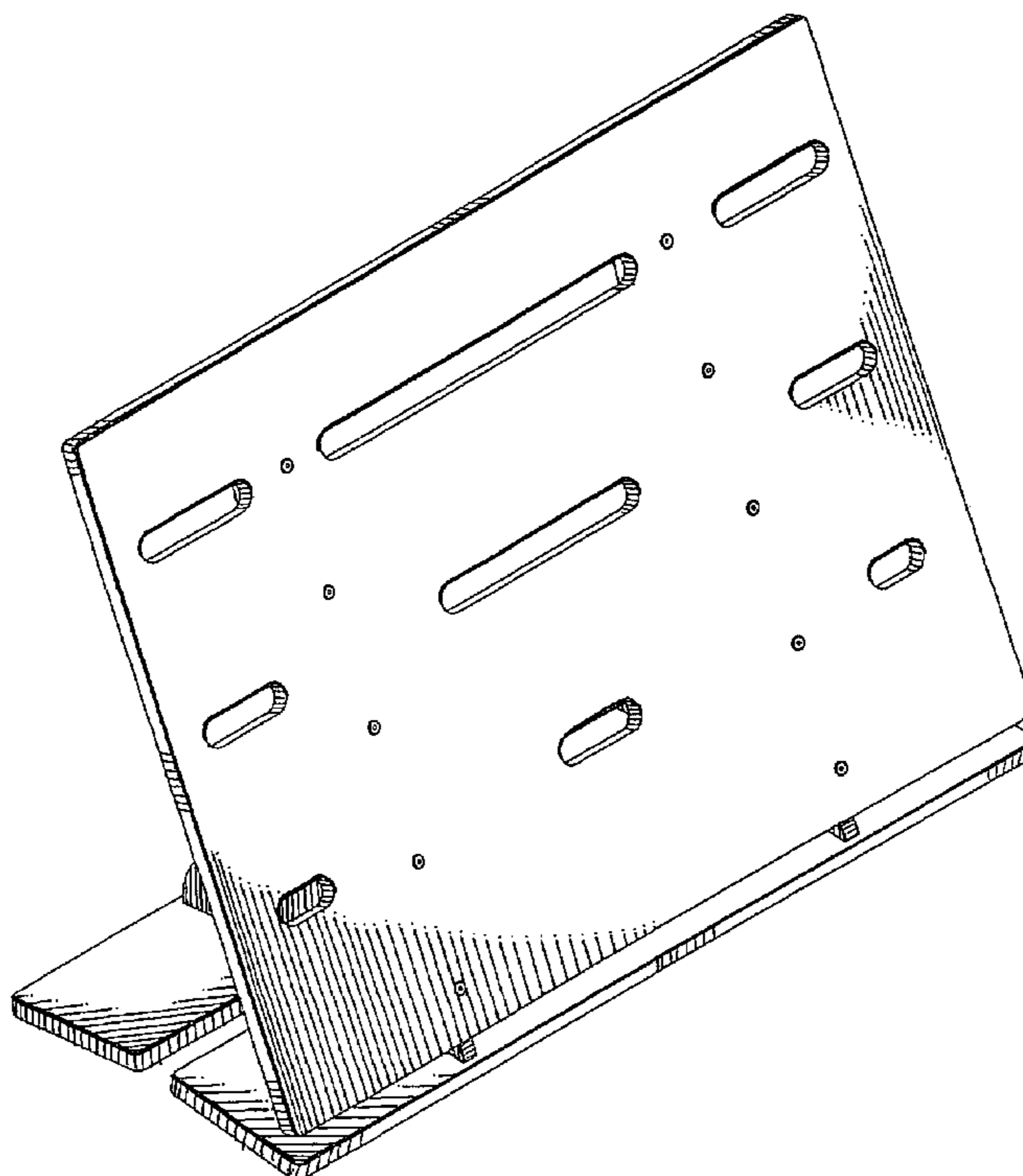
(52) **U.S. Cl.** **D21/662**

(58) **Field of Classification Search** D21/662,
D21/686, 826; D20/10; D10/109; 482/35,
482/37, 79, 907

FIG. 1 is a perspective top, front and left side view of an exercise wall for sport purposes showing my new design;
 FIG. 2 is a perspective top, rear and right side view thereof;
 FIG. 3 is a front view thereof;
 FIG. 4 is a rear view thereof;
 FIG. 5 is a top view thereof;
 FIG. 6 is a bottom view thereof;
 FIG. 7 is a left side view thereof; and,
 FIG. 8 is a right side view thereof.

See application file for complete search history.

1 Claim, 8 Drawing Sheets



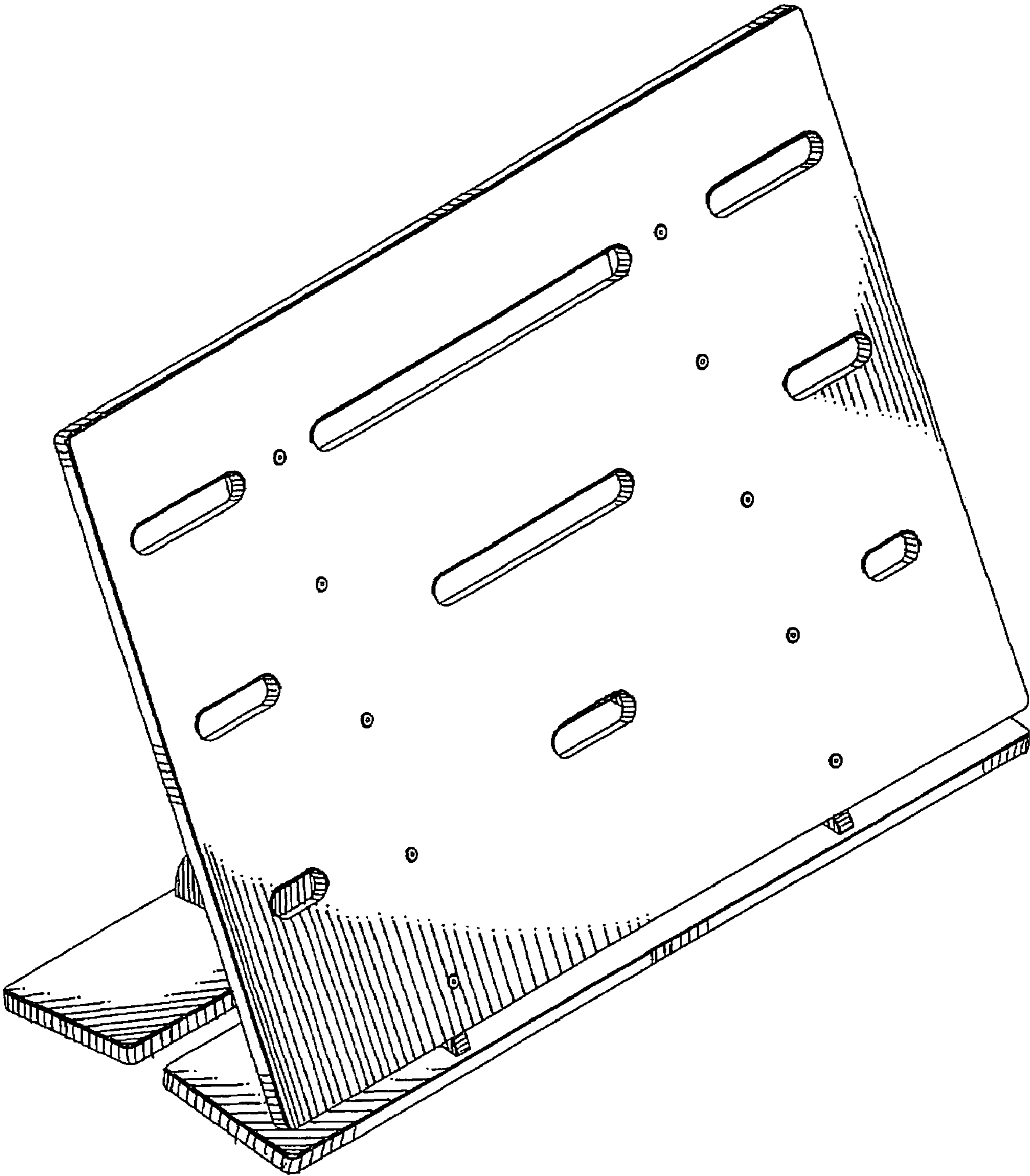


Fig. 1

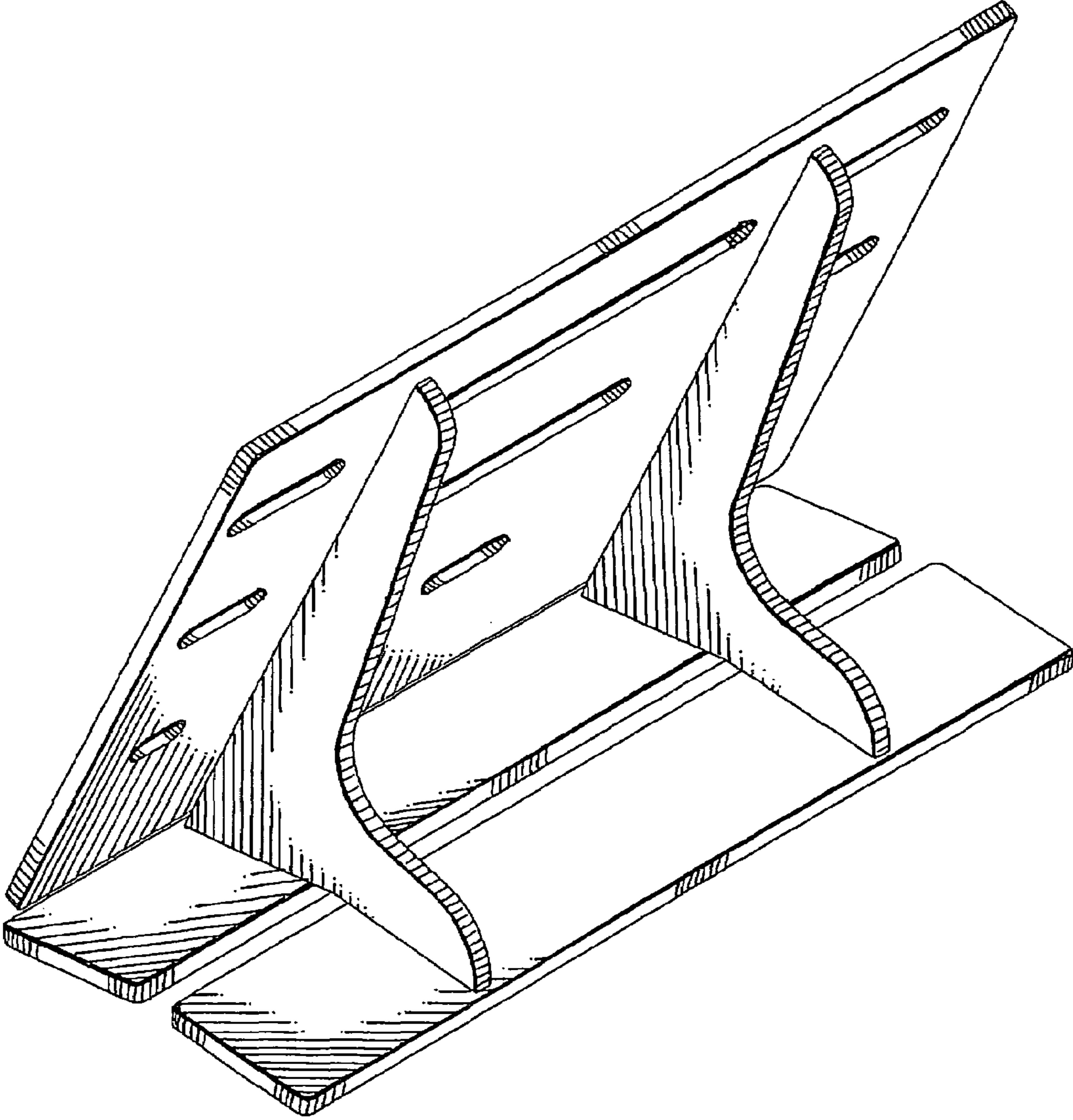


Fig. 2

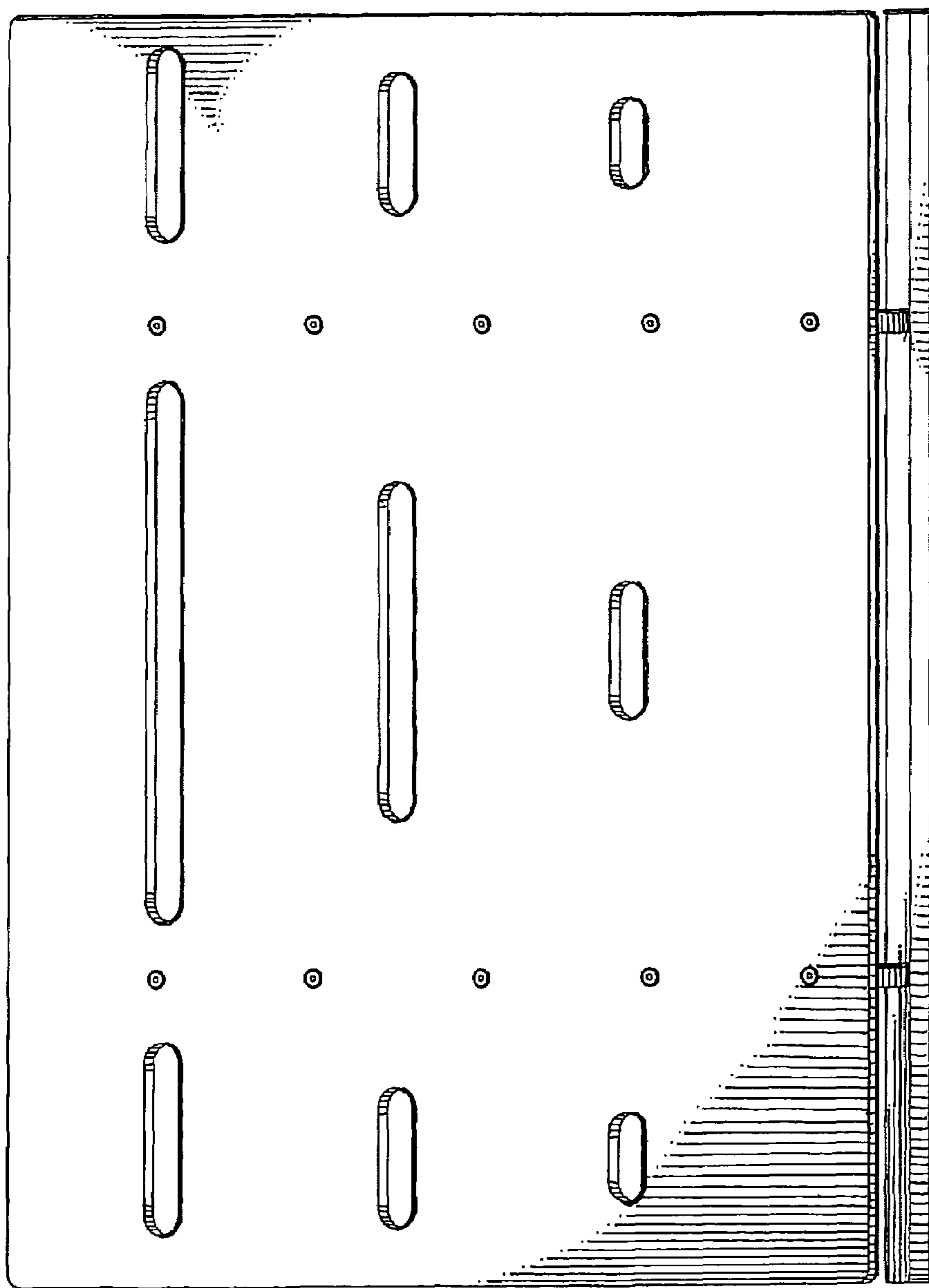


Fig. 3

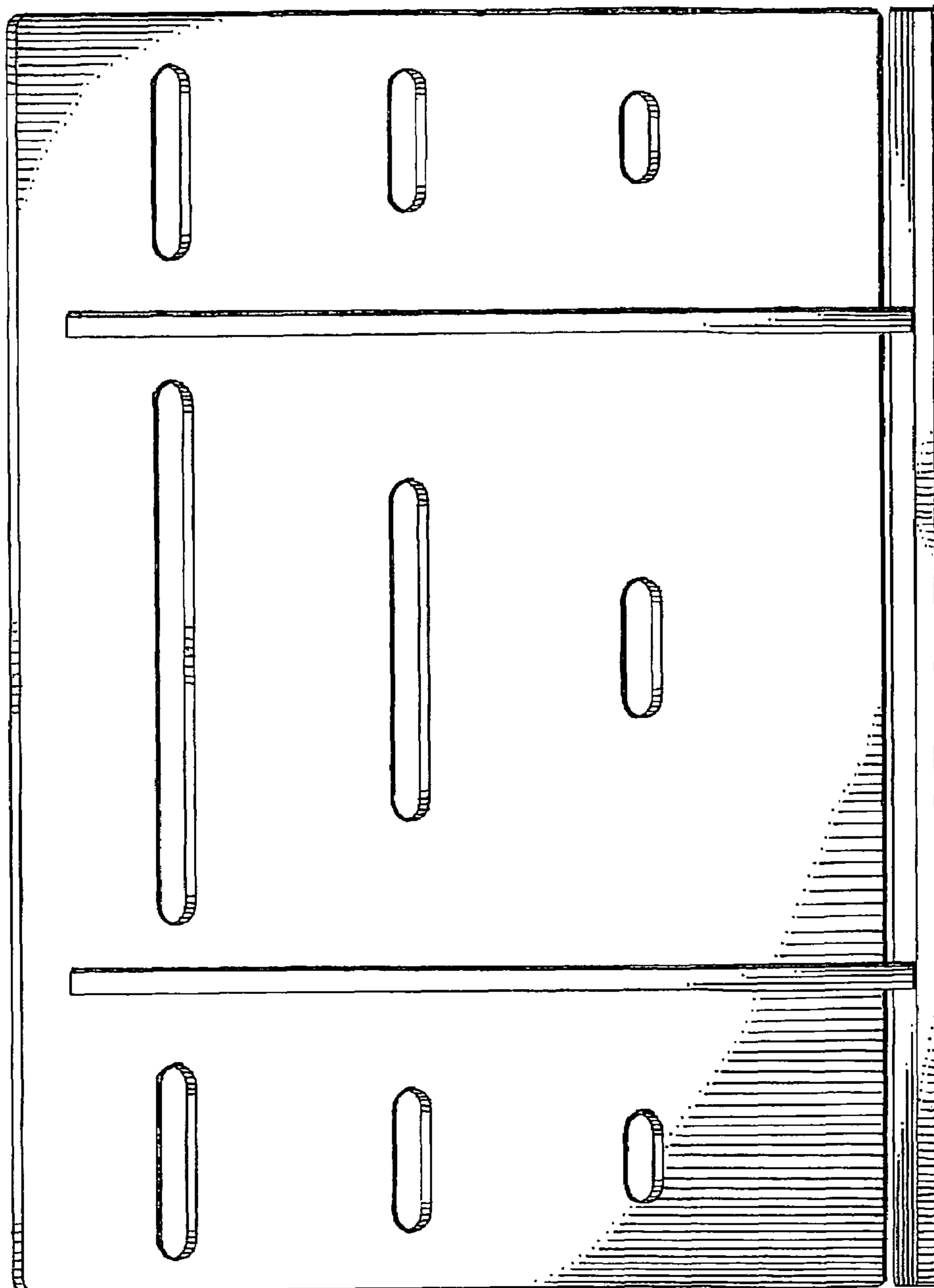


Fig. 4

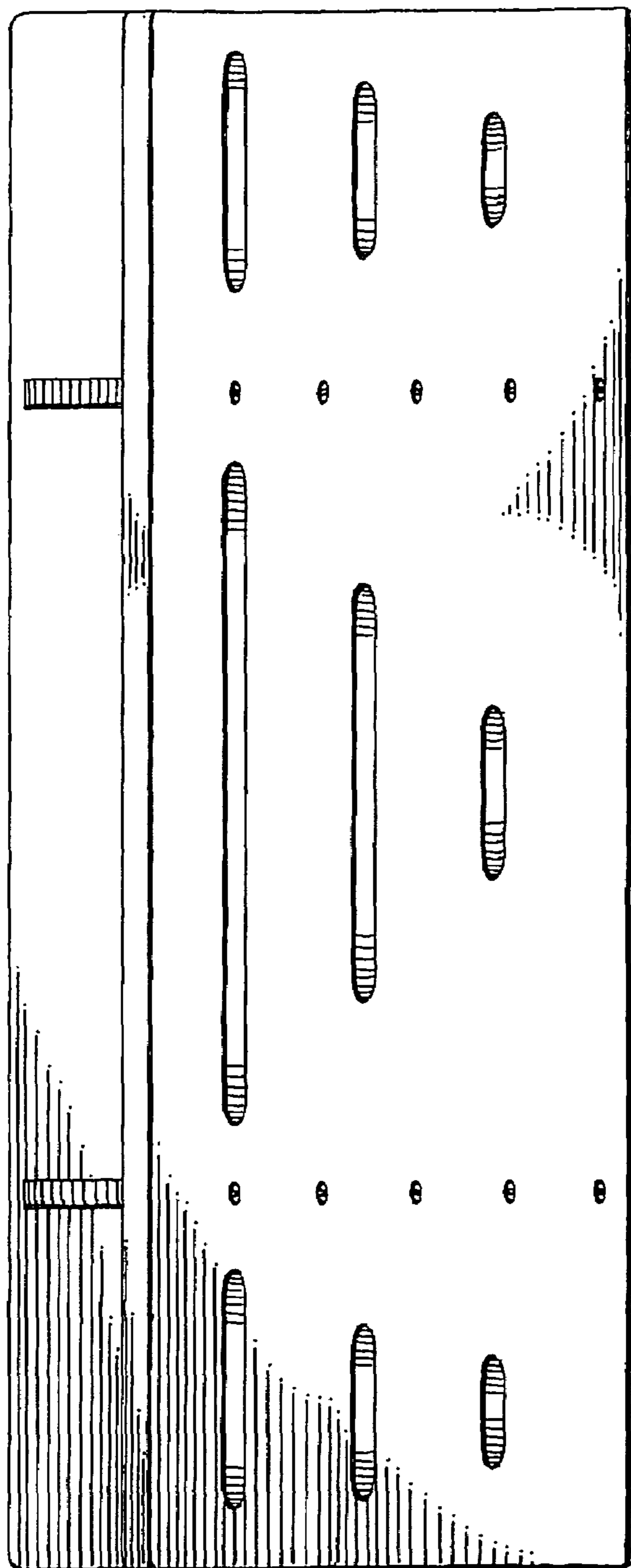


Fig. 5

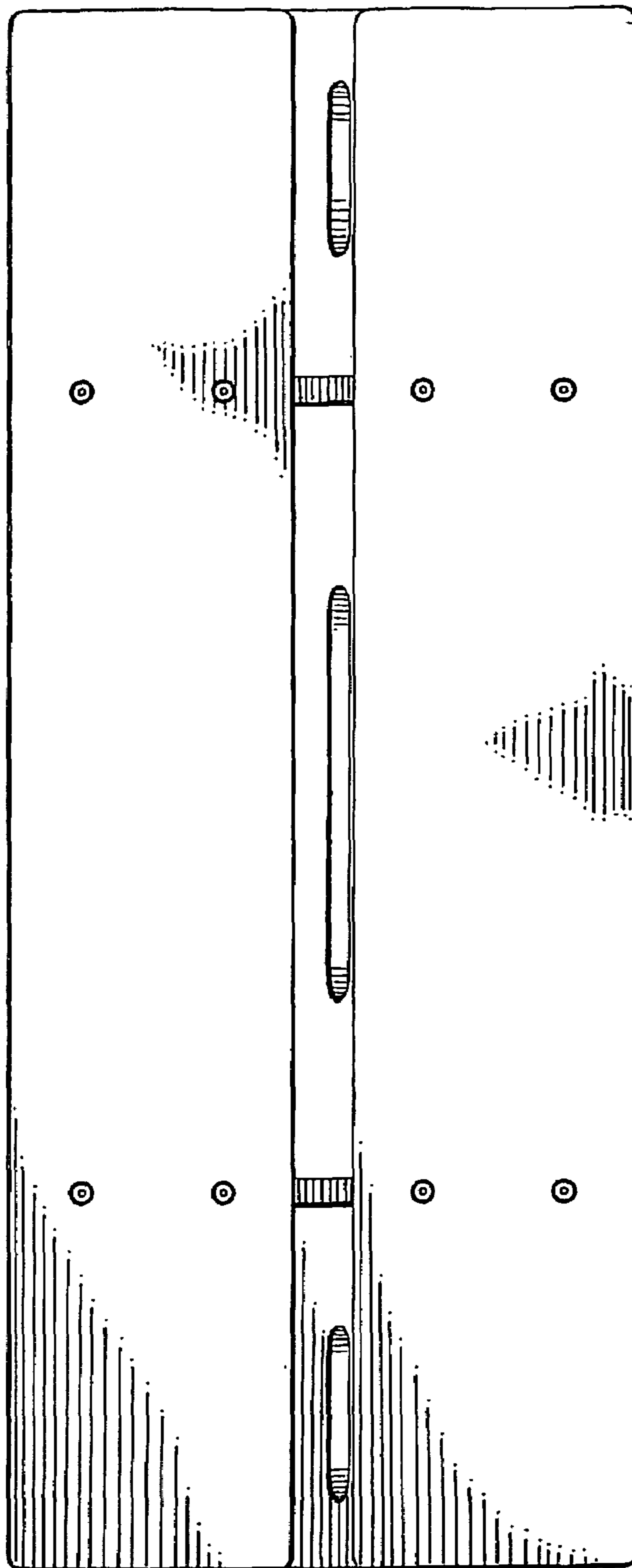


Fig. 6

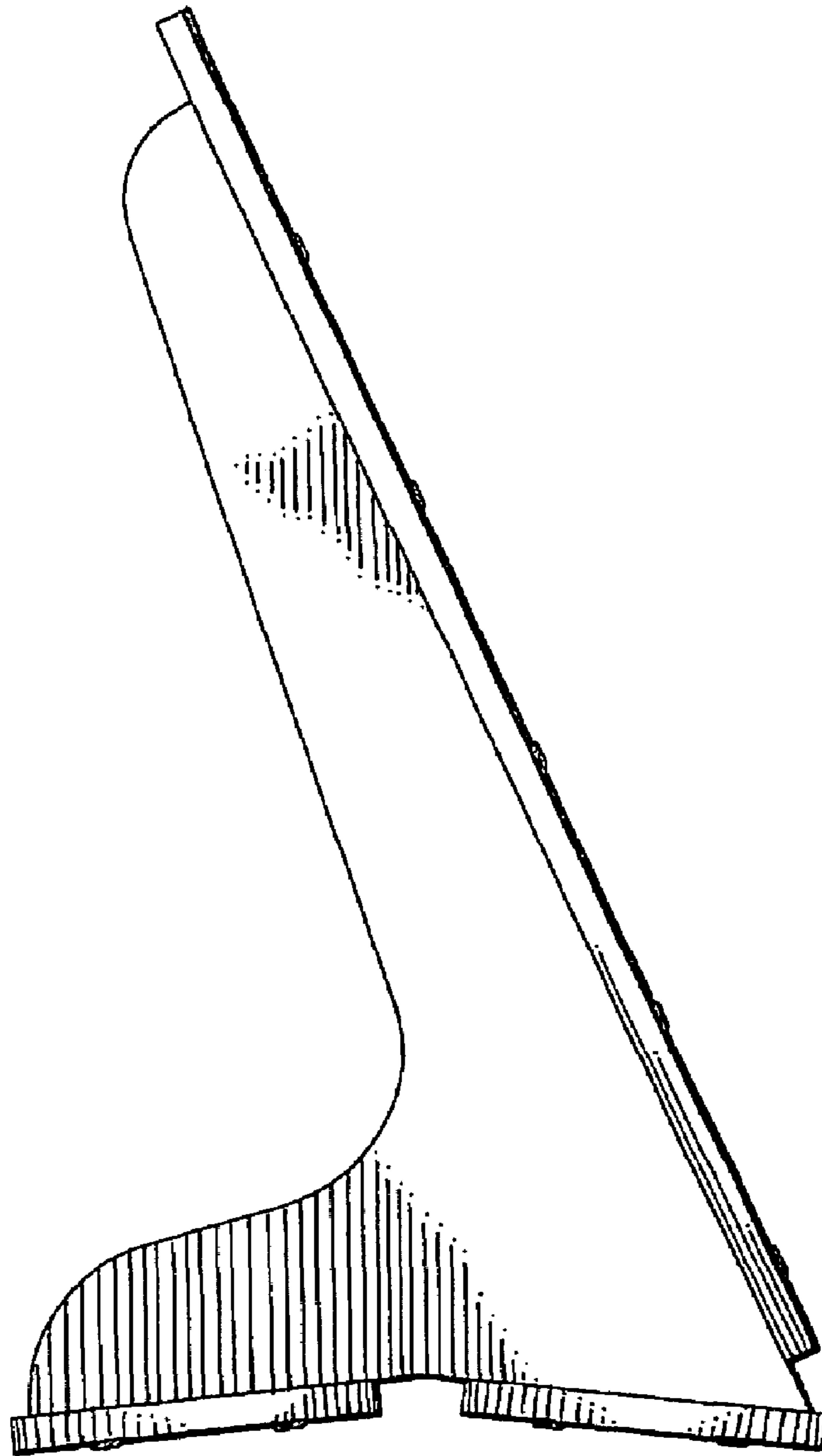


Fig. 7

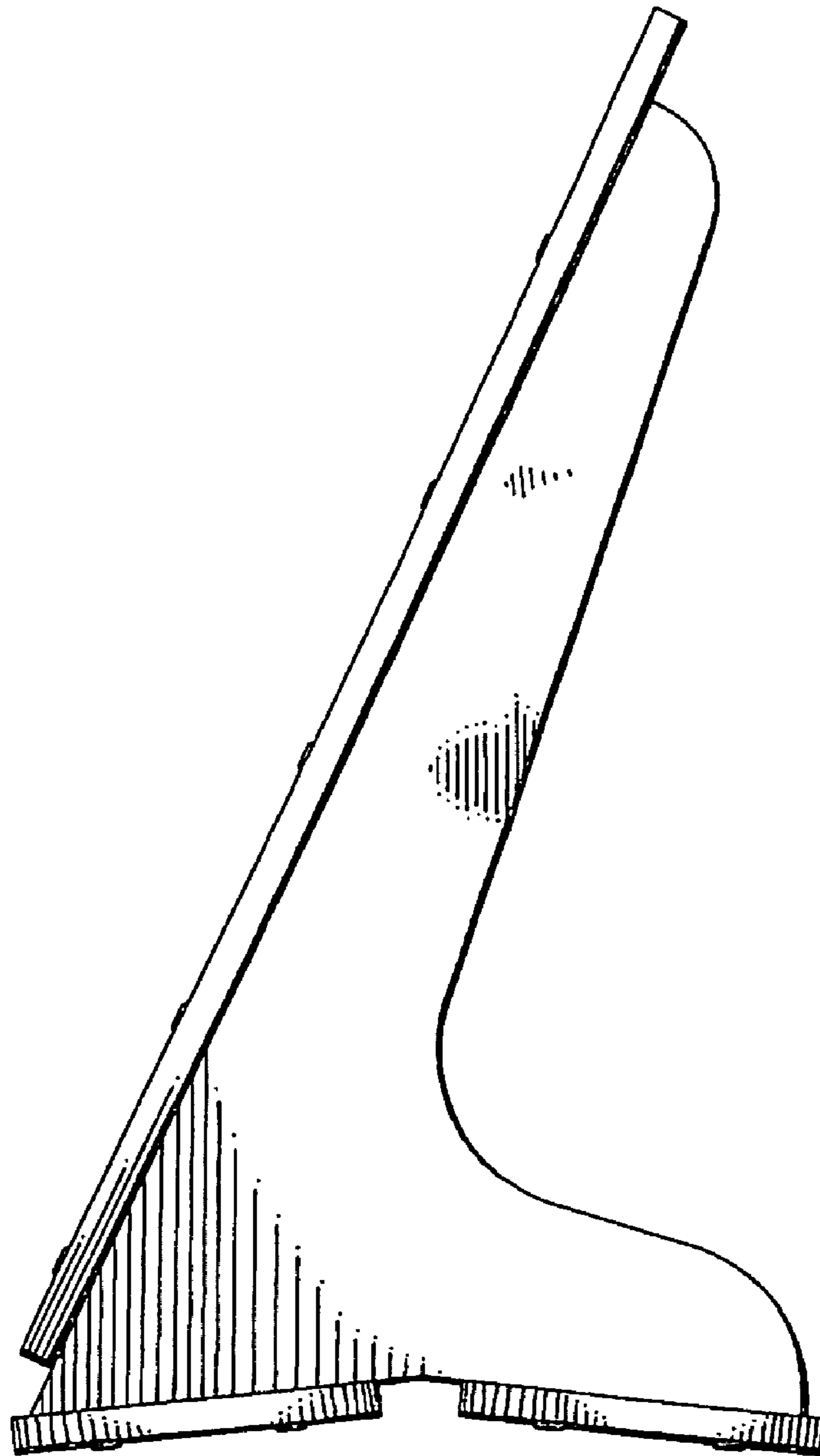


Fig. 8