

US00D590029S

(12) **United States Design Patent**
Manderbacka

(10) **Patent No.:** **US D590,029 S**

(45) **Date of Patent:** **** Apr. 7, 2009**

(54) **EXERCISE WALL FOR SPORT PURPOSES**

(75) Inventor: **Mats Manderbacka**, Kokkola (FI)

(73) Assignee: **AB Hur Oy**, Kokkola (FI)

(**) Term: **14 Years**

(21) Appl. No.: **29/287,670**

(22) Filed: **Sep. 6, 2007**

(30) **Foreign Application Priority Data**

Mar. 9, 2007	(EM)	000689856-0001
Mar. 9, 2007	(EM)	000689856-0002
Mar. 9, 2007	(EM)	000689856-0003
Mar. 9, 2007	(EM)	000689856-0004
Mar. 9, 2007	(EM)	000689856-0005
Mar. 9, 2007	(EM)	000689856-0006
Mar. 9, 2007	(EM)	000689856-0007
Mar. 9, 2007	(EM)	000689856-0008

(51) **LOC (9) Cl.** **21-02**

(52) **U.S. Cl.** **D21/662**

(58) **Field of Classification Search** D21/662,
D21/302, 306; D20/31; D11/160; 273/392,
273/348, 407; 473/454

See application file for complete search history.

(56) **References Cited**

U.S. PATENT DOCUMENTS

D136,734 S *	11/1943	Halpern	D11/160
D351,755 S *	10/1994	Hrebenar	D6/599
5,527,185 A *	6/1996	Davis	473/438
5,816,951 A *	10/1998	Hudock	473/447
7,128,321 B1 *	10/2006	Brown	273/392

D539,373 S * 3/2007 Cook D21/781

* cited by examiner

Primary Examiner—Philip S Hyder

(74) *Attorney, Agent, or Firm*—Nixon & Vanderhye, P.C.

(57) **CLAIM**

The ornamental design for an exercise wall for sport purposes, as shown and described.

DESCRIPTION

FIG. 1 is a perspective top, front and left side view of an exercise wall for sport purposes showing my new design;

FIG. 2 is a perspective top, rear and right side view thereof;

FIG. 3 is a front view thereof;

FIG. 4 is a rear view thereof;

FIG. 5 is a top view thereof;

FIG. 6 is a bottom view thereof;

FIG. 7 is a left side view thereof;

FIG. 8 is a right side view thereof;

FIG. 9 is a perspective top, front and left side view of a second embodiment of my new design;

FIG. 10 is a perspective top, rear and right side view thereof;

FIG. 11 is a front view thereof;

FIG. 12 is a rear view thereof;

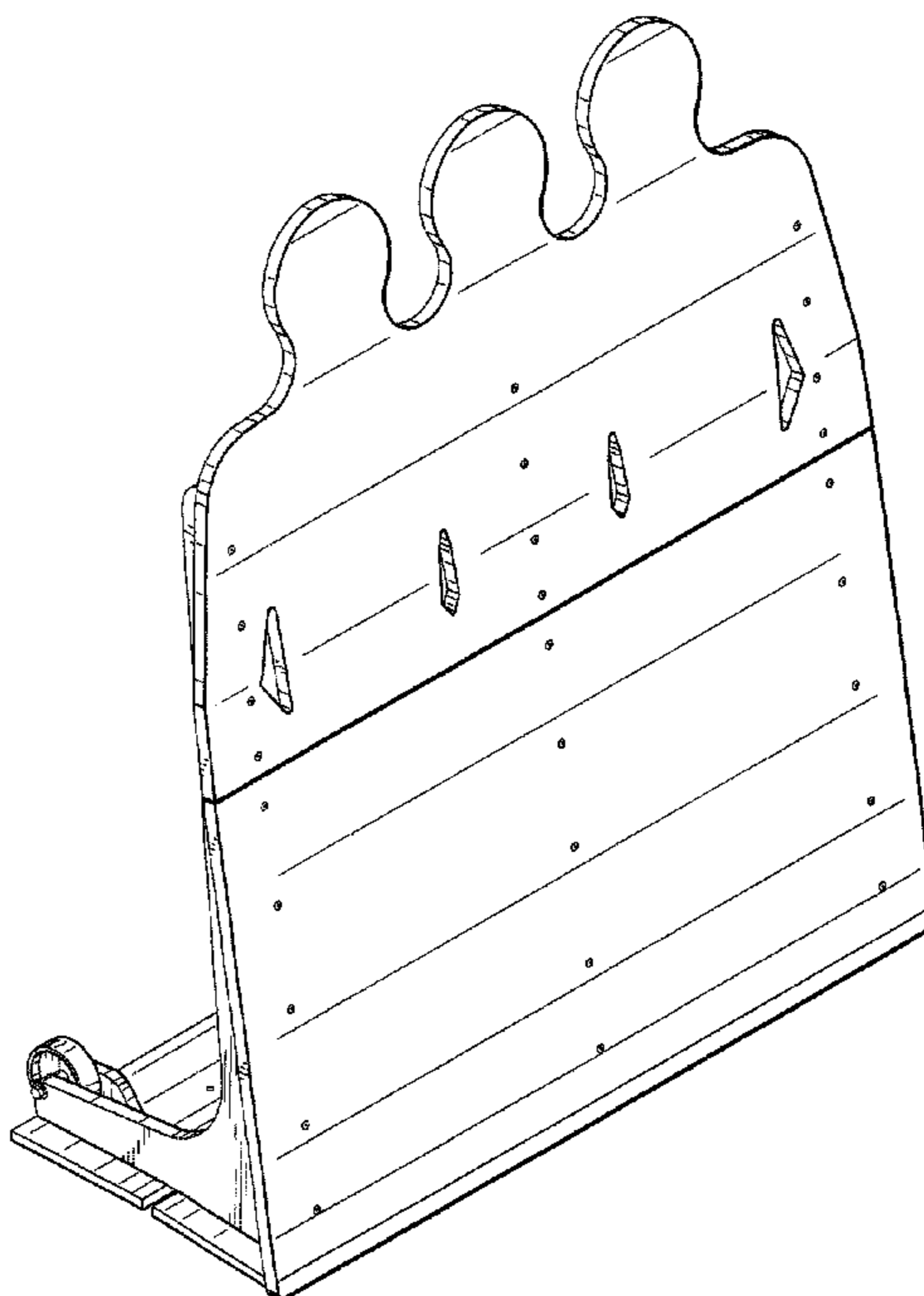
FIG. 13 is a top view thereof;

FIG. 14 is a bottom view thereof;

FIG. 15 is a left side view thereof; and,

FIG. 16 is a right side view thereof.

1 Claim, 12 Drawing Sheets



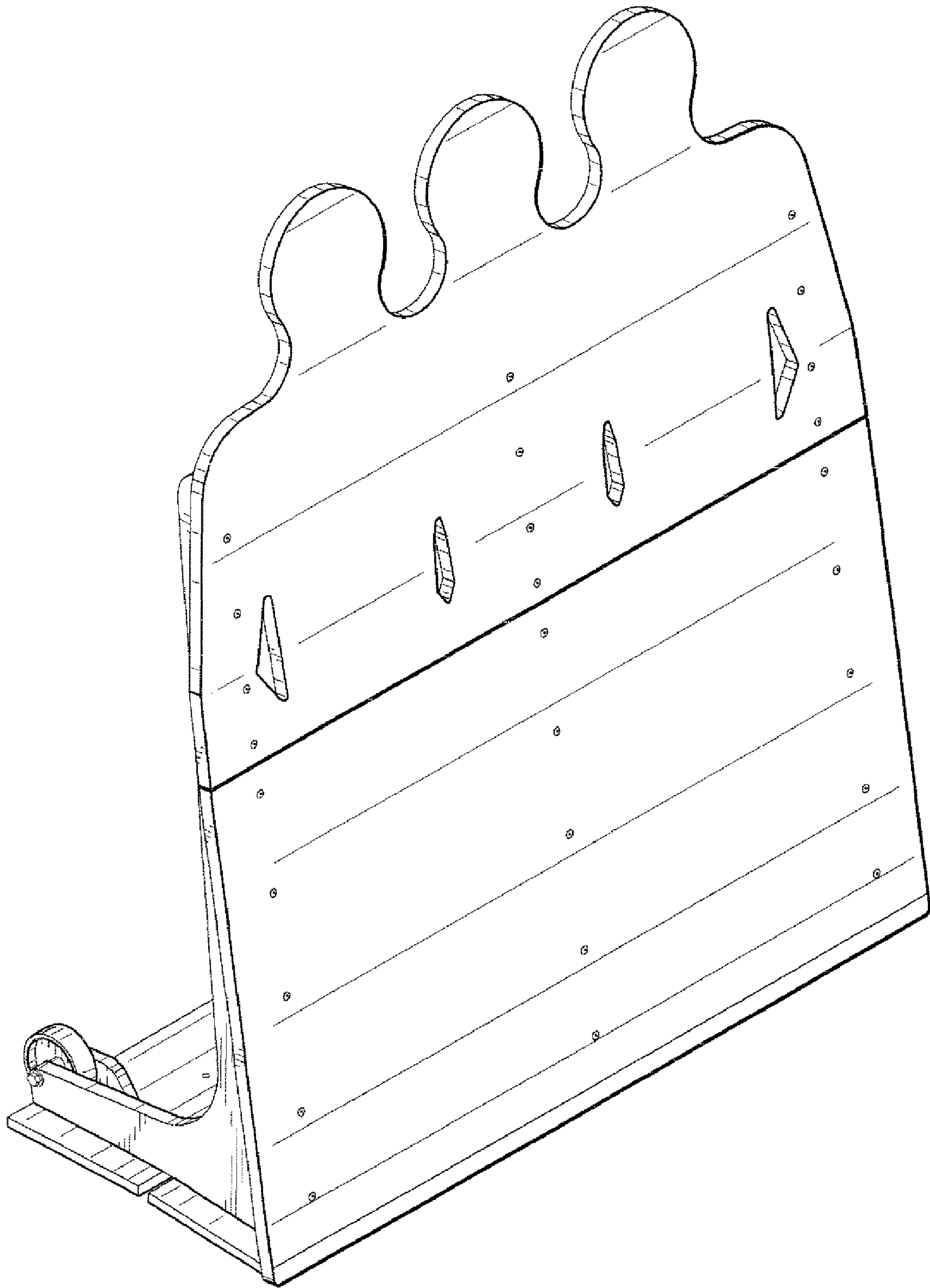


FIG. 1

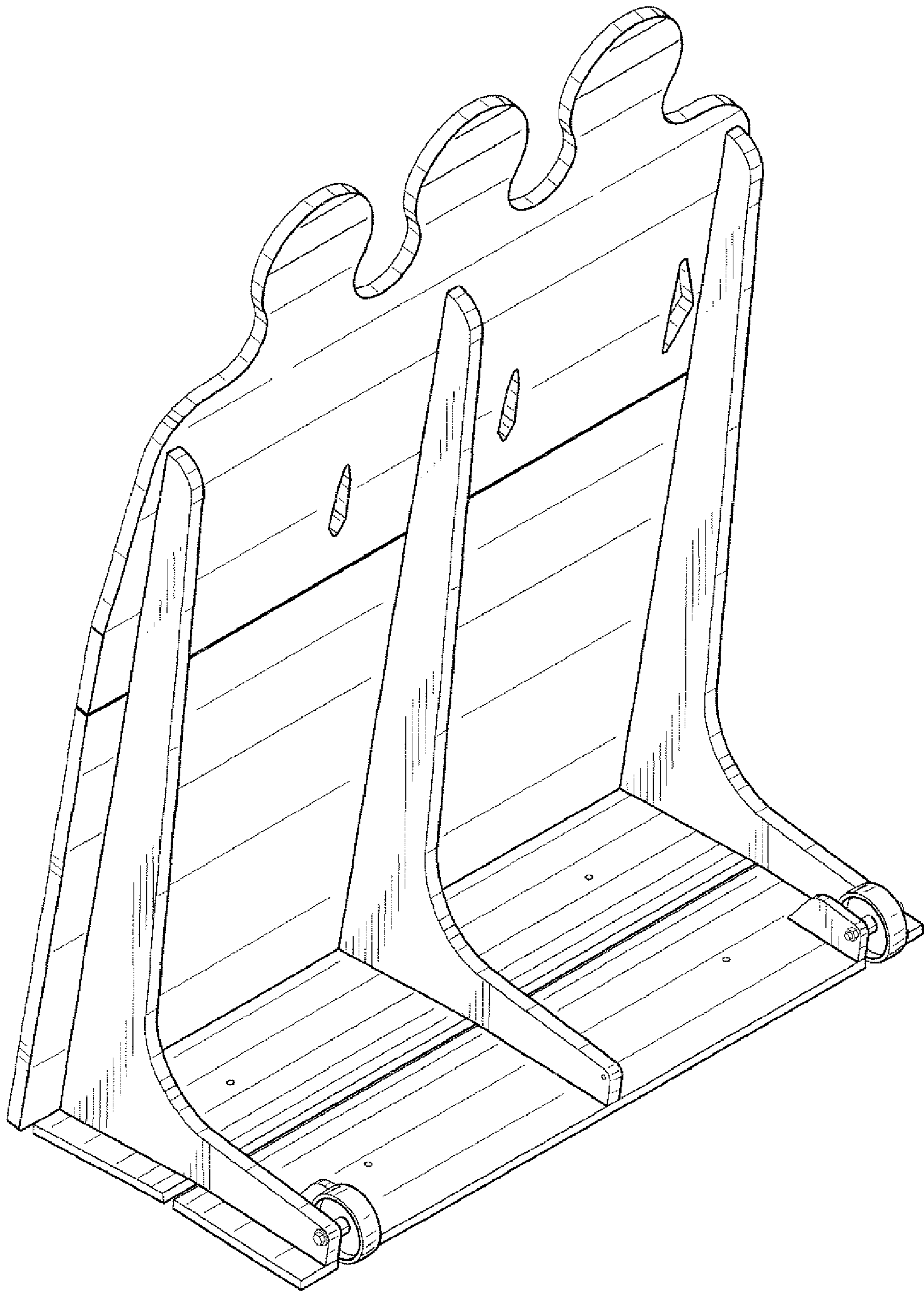


FIG. 2

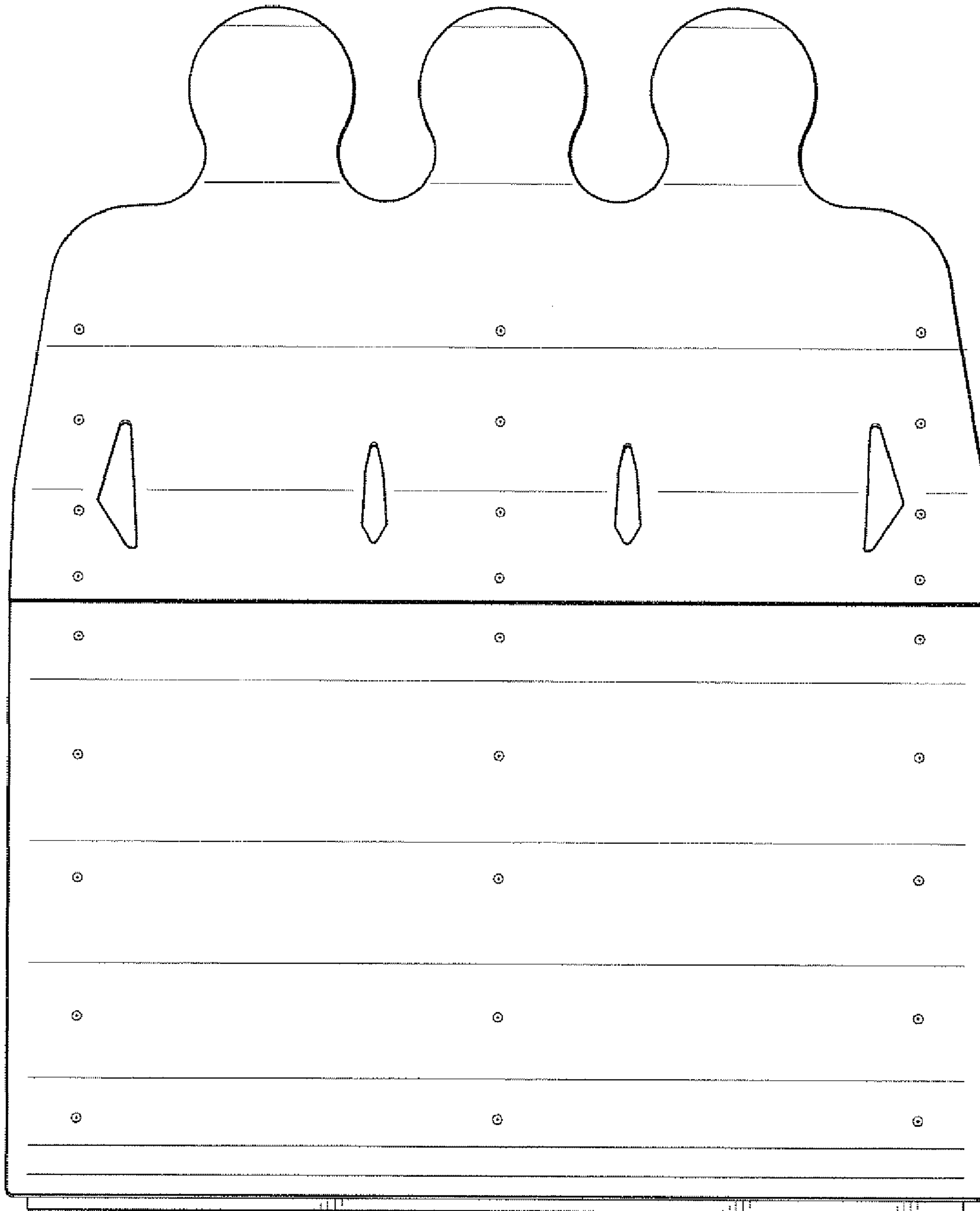


FIG. 3

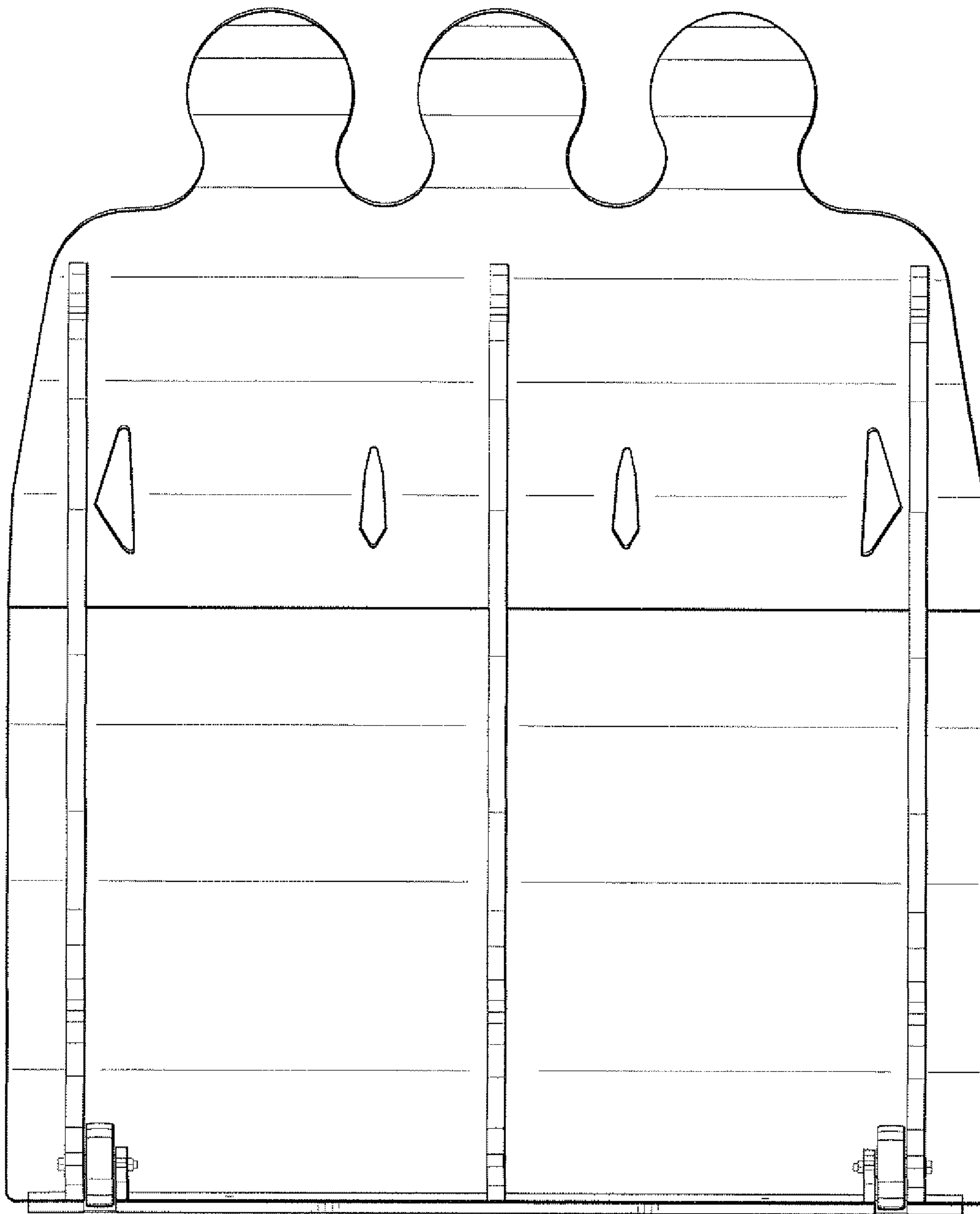


FIG. 4

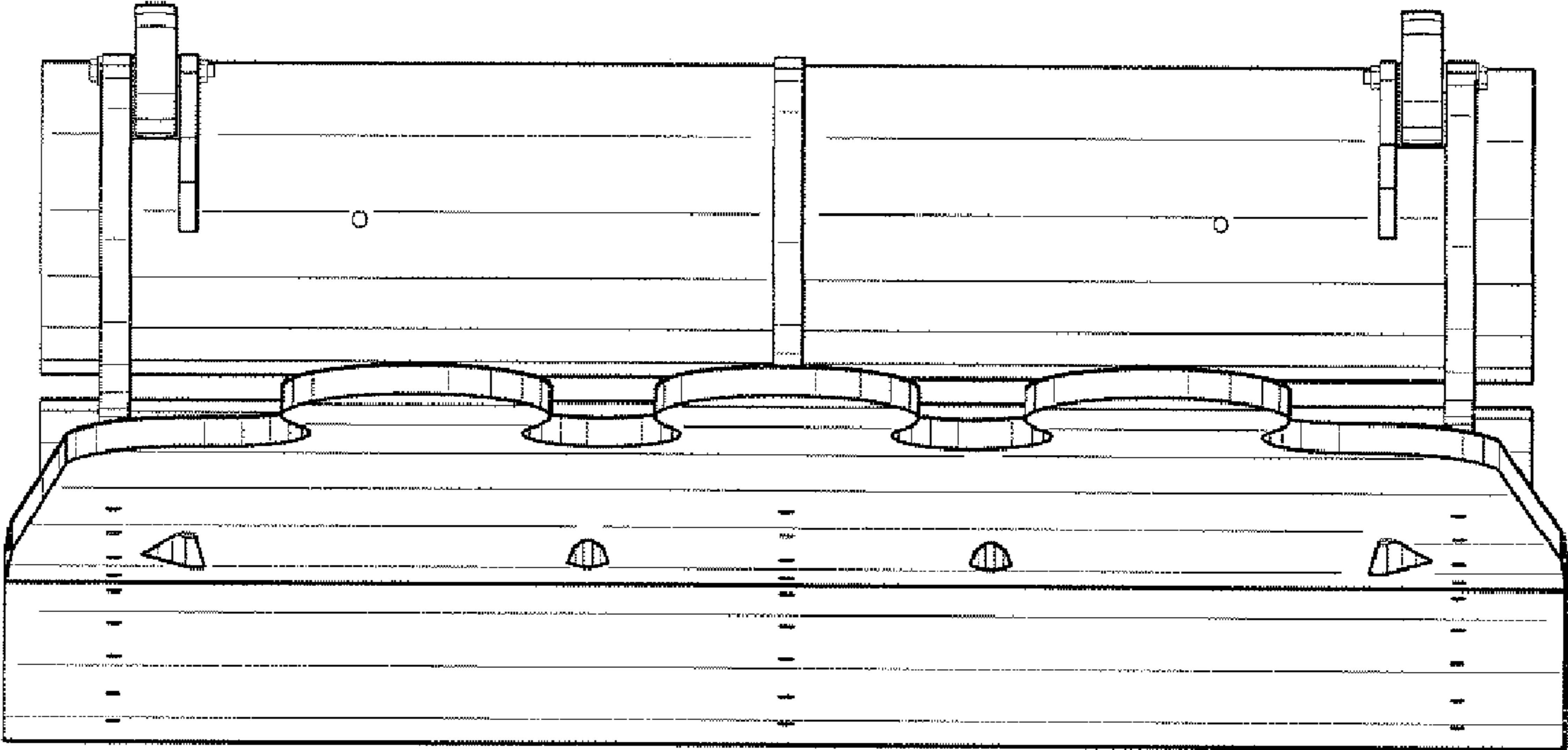


FIG. 5

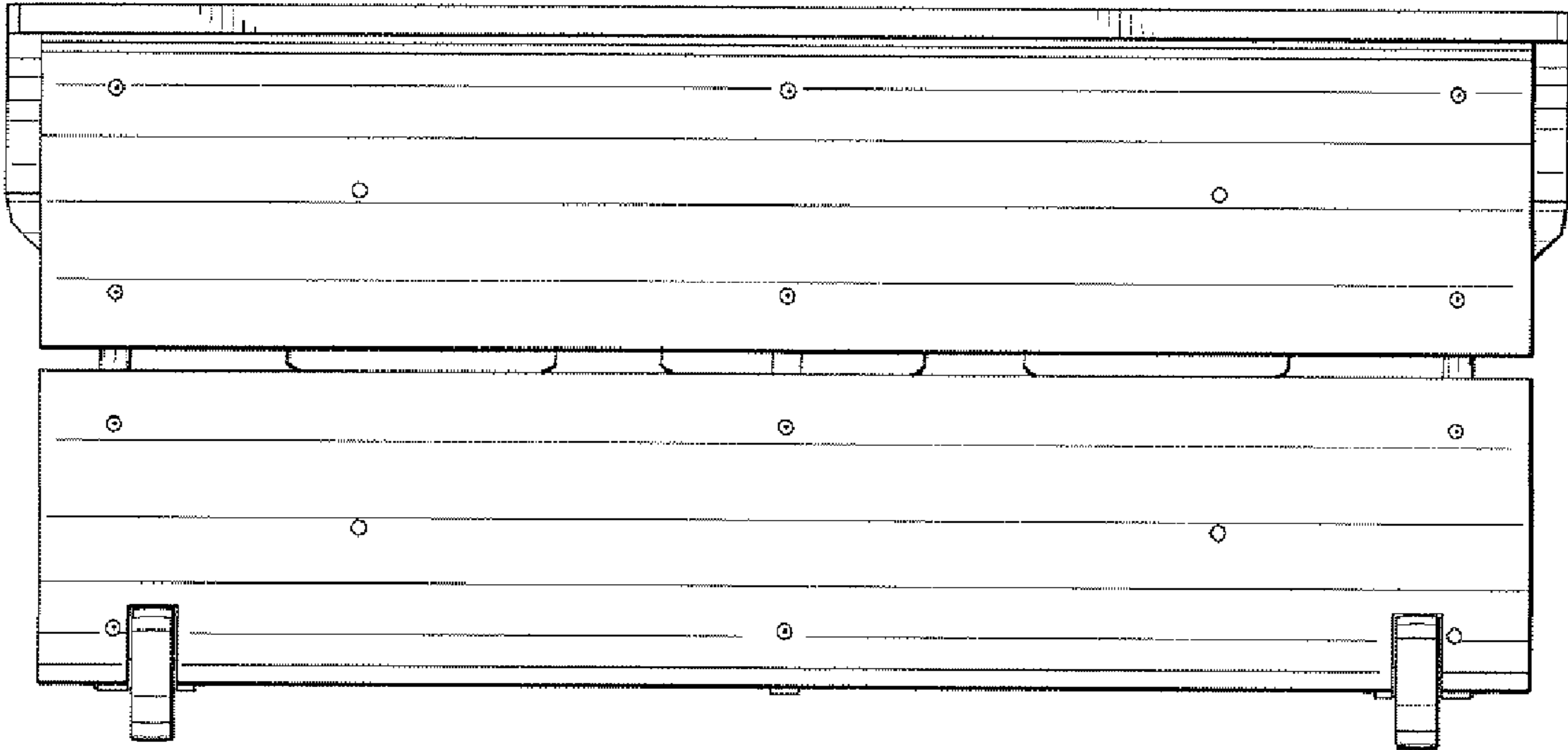


FIG. 6

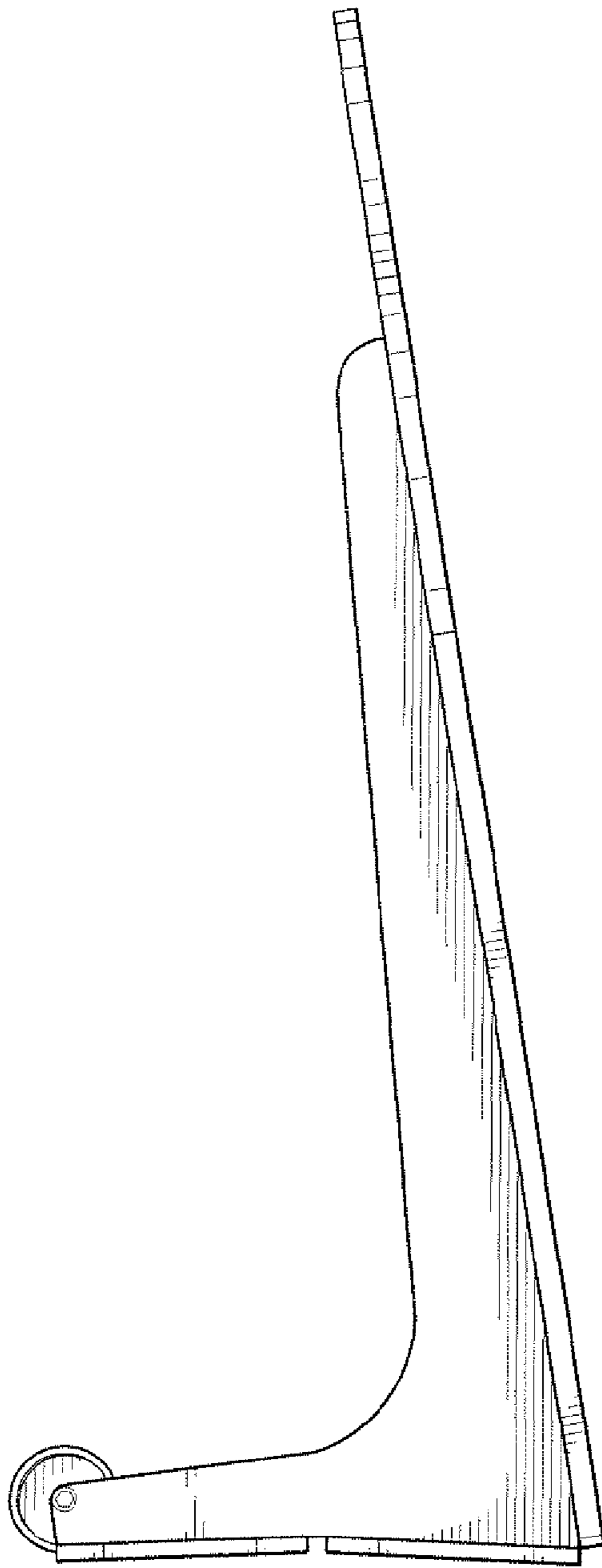


FIG. 7

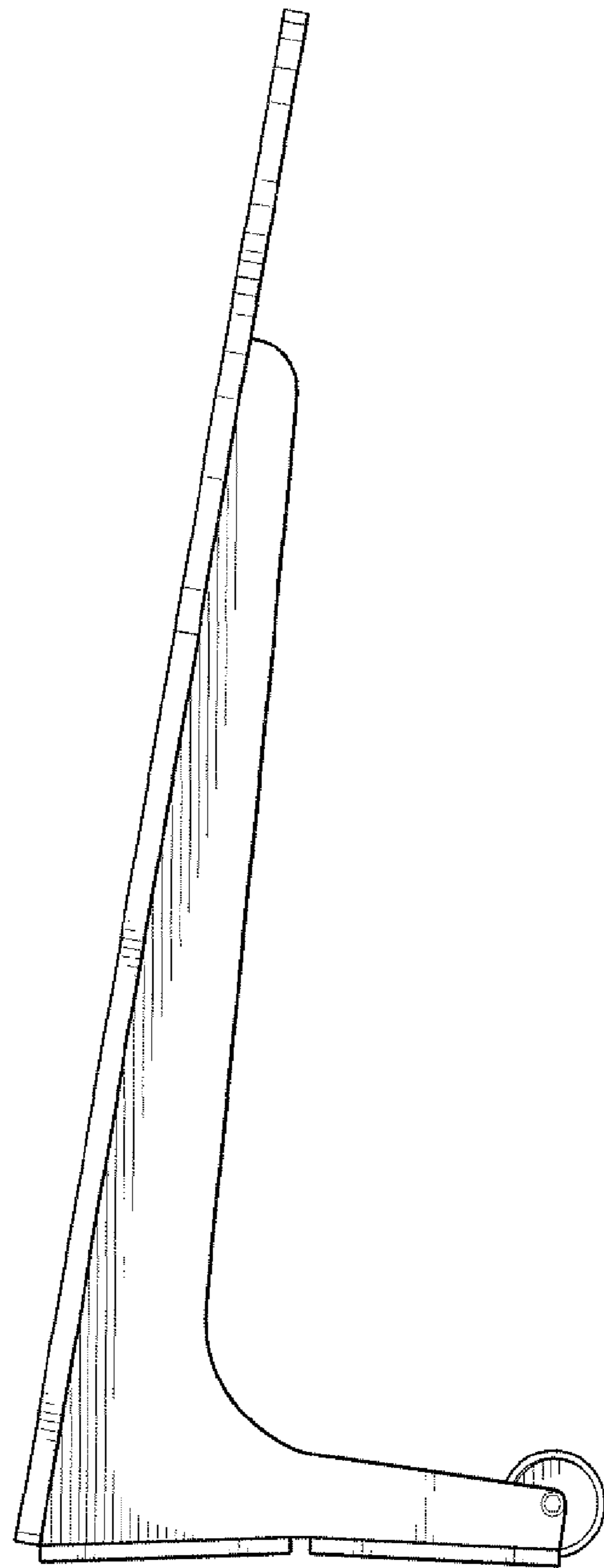


FIG. 8

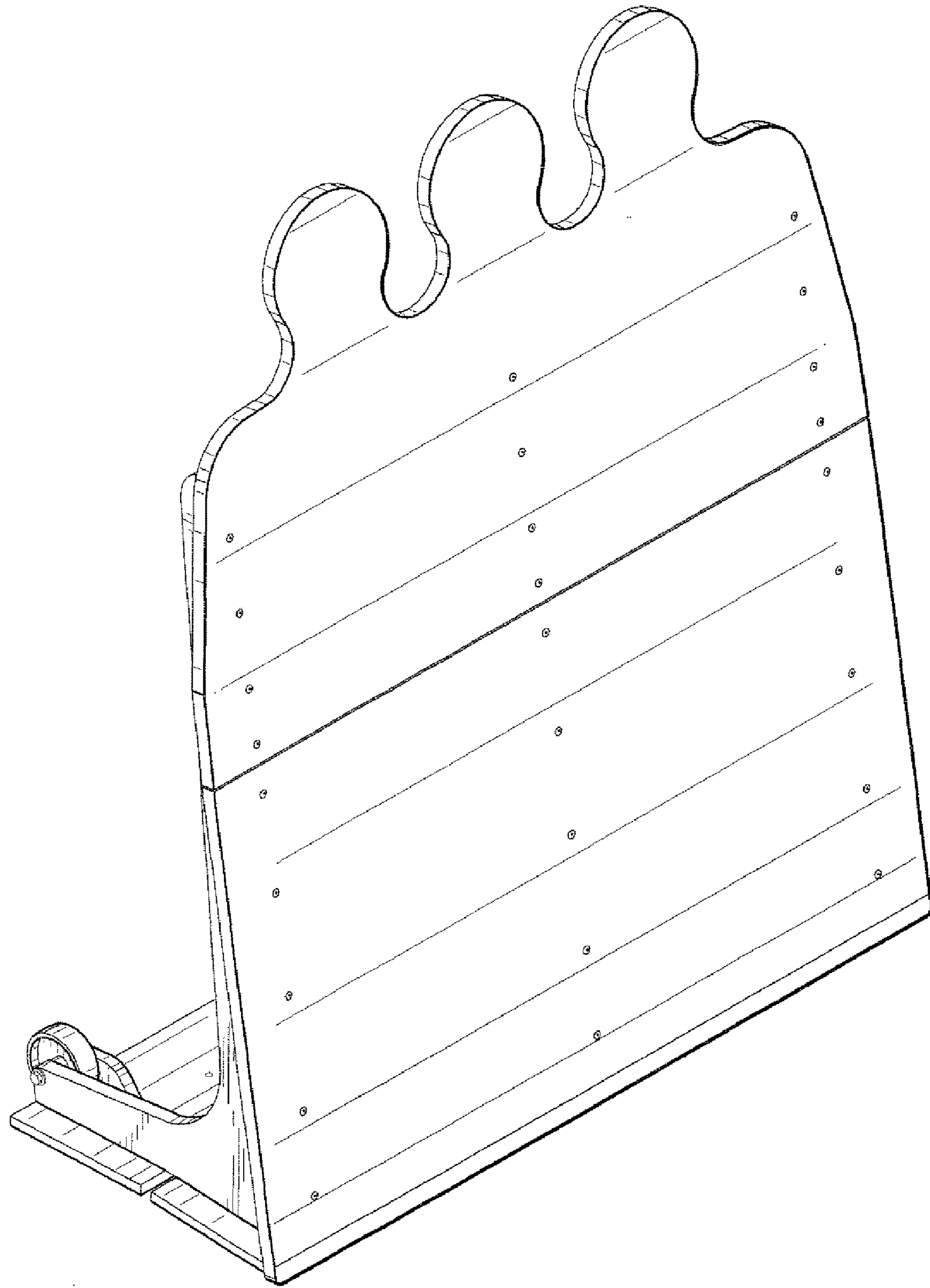


FIG. 9

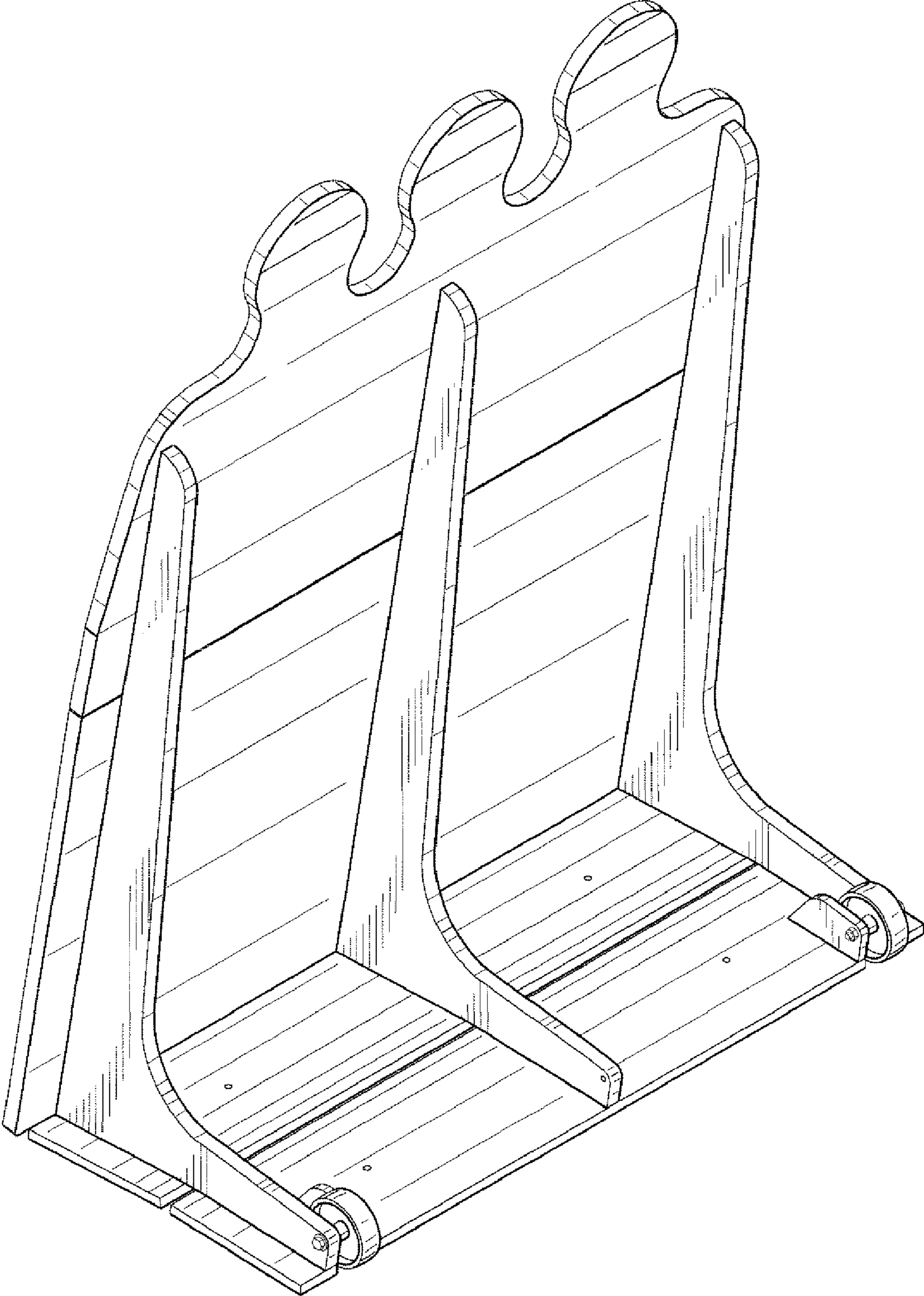


FIG. 10

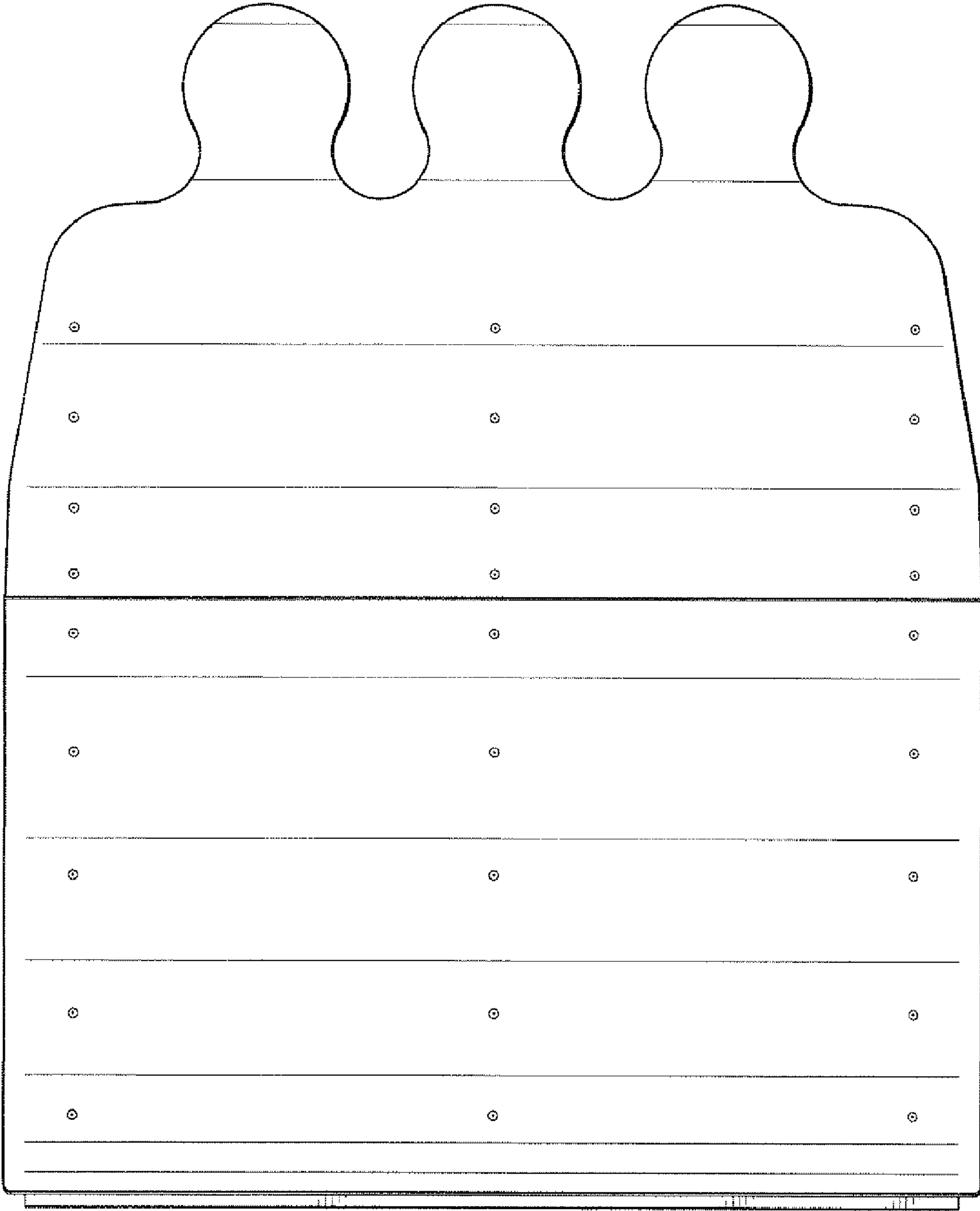


FIG. 11

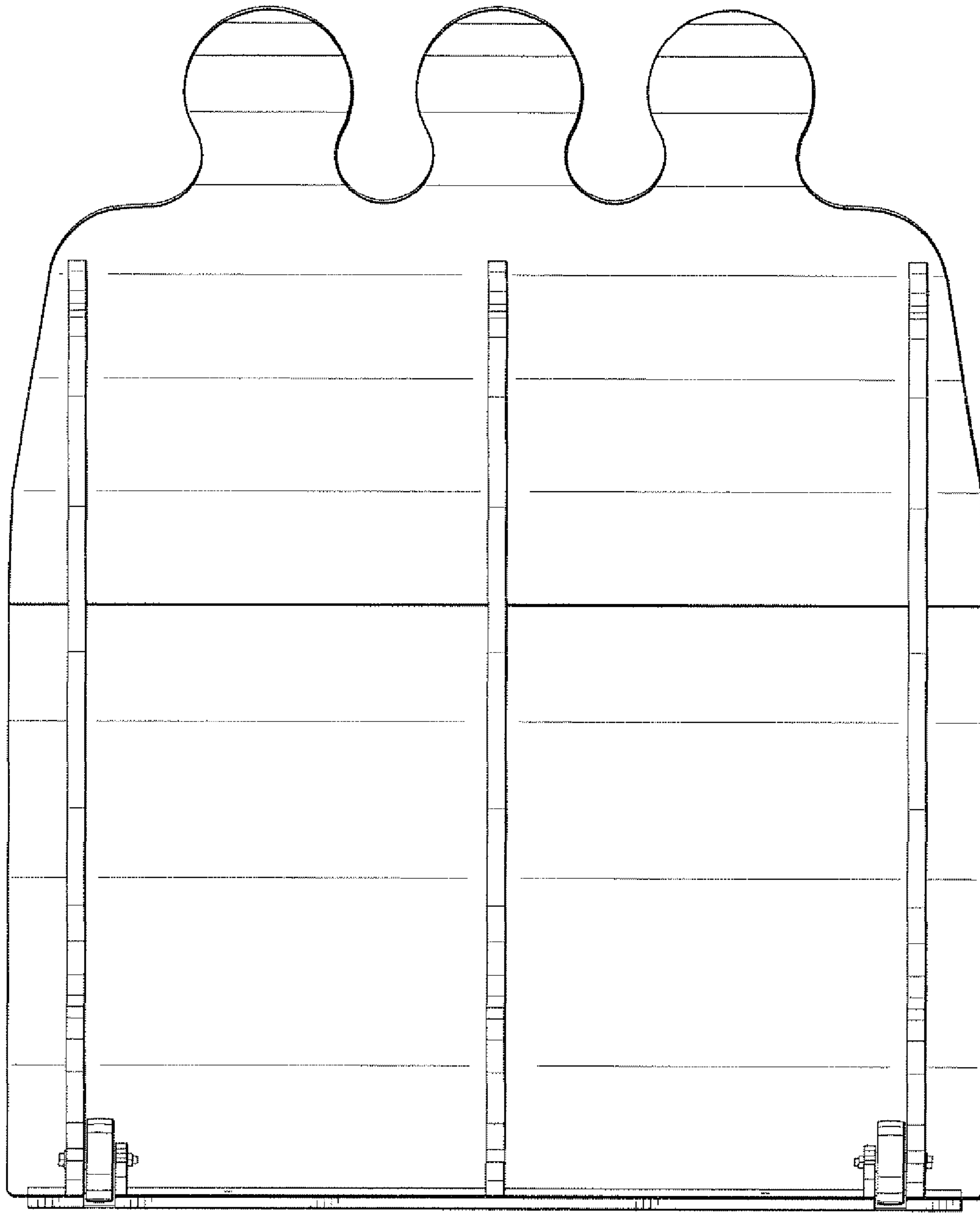


FIG. 12

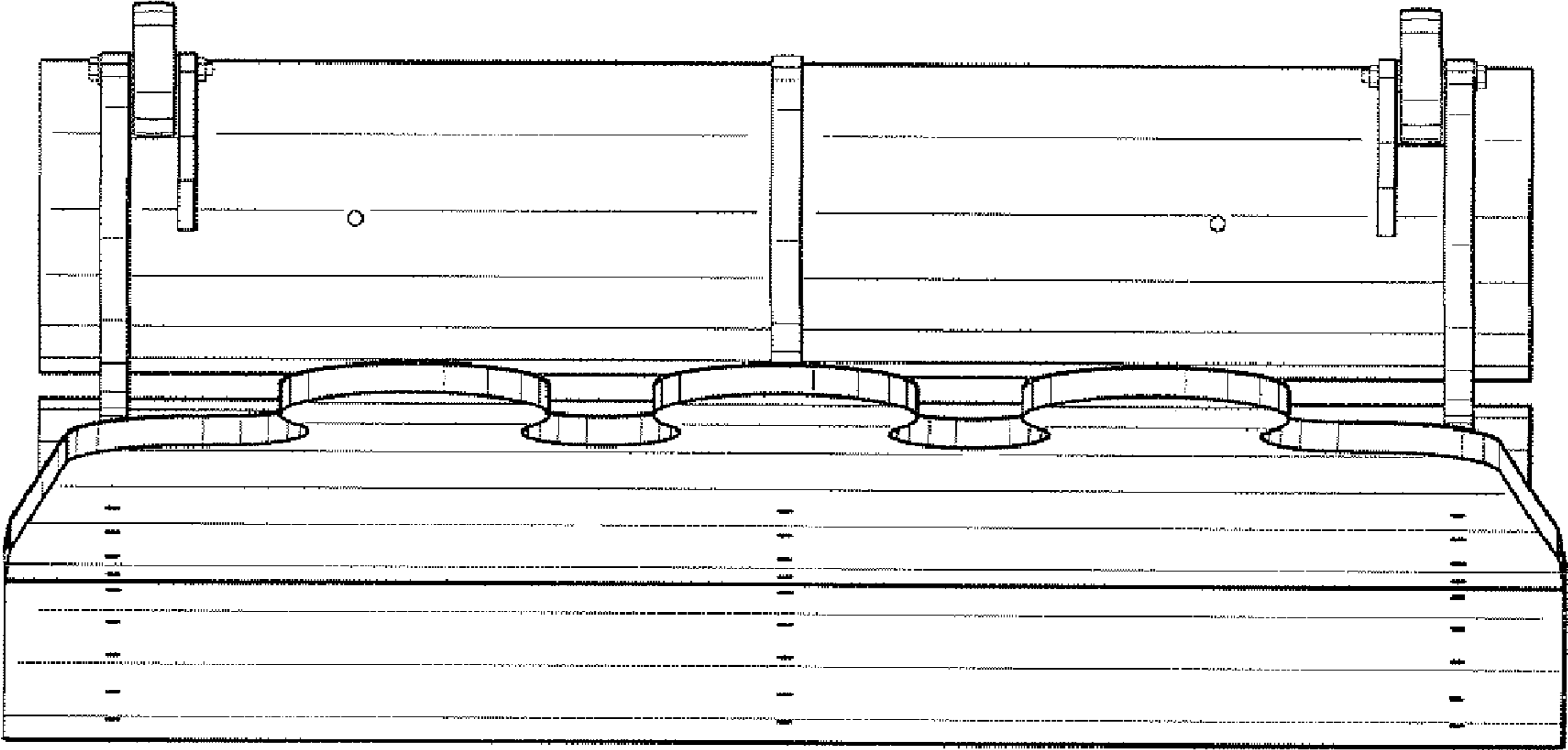


FIG. 13

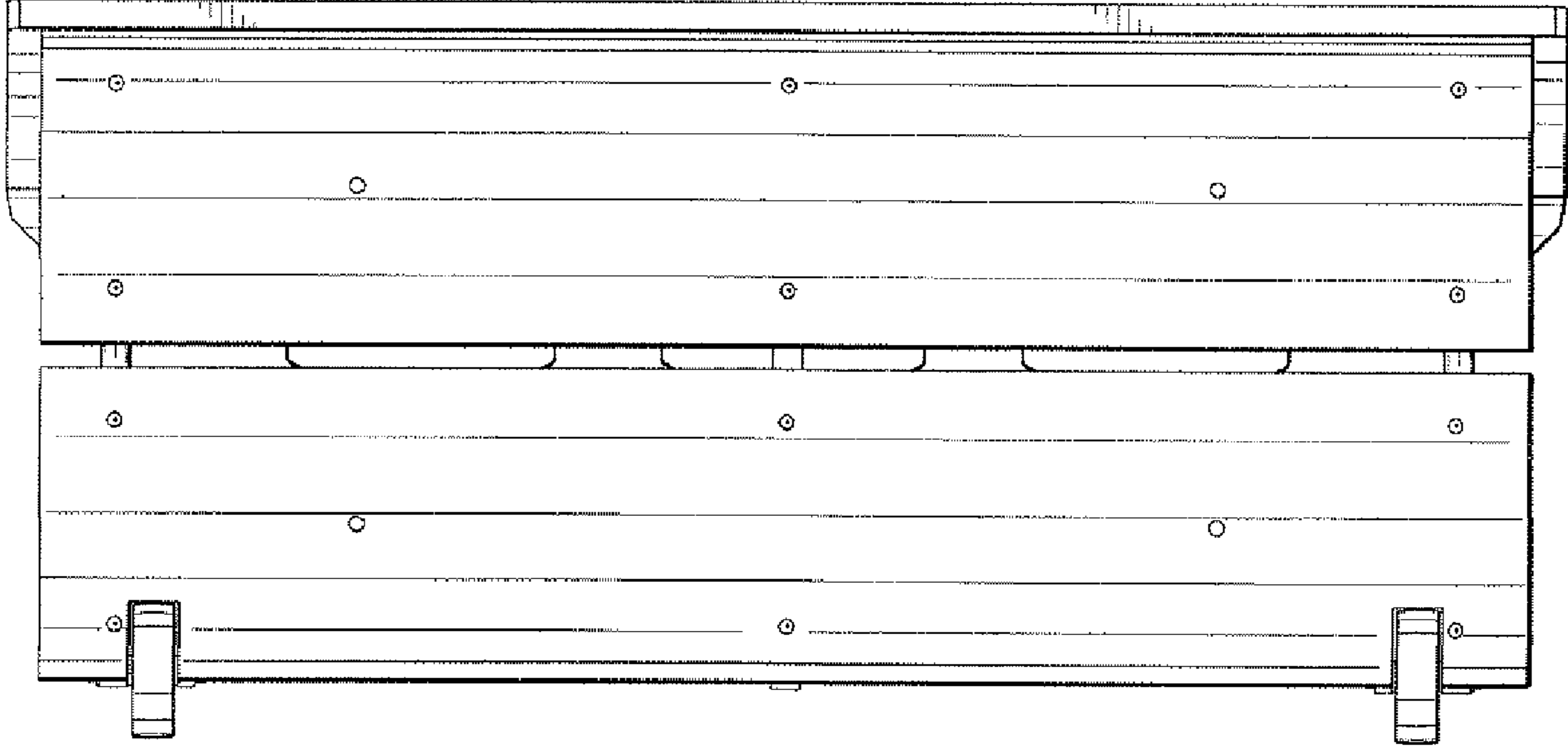


FIG. 14

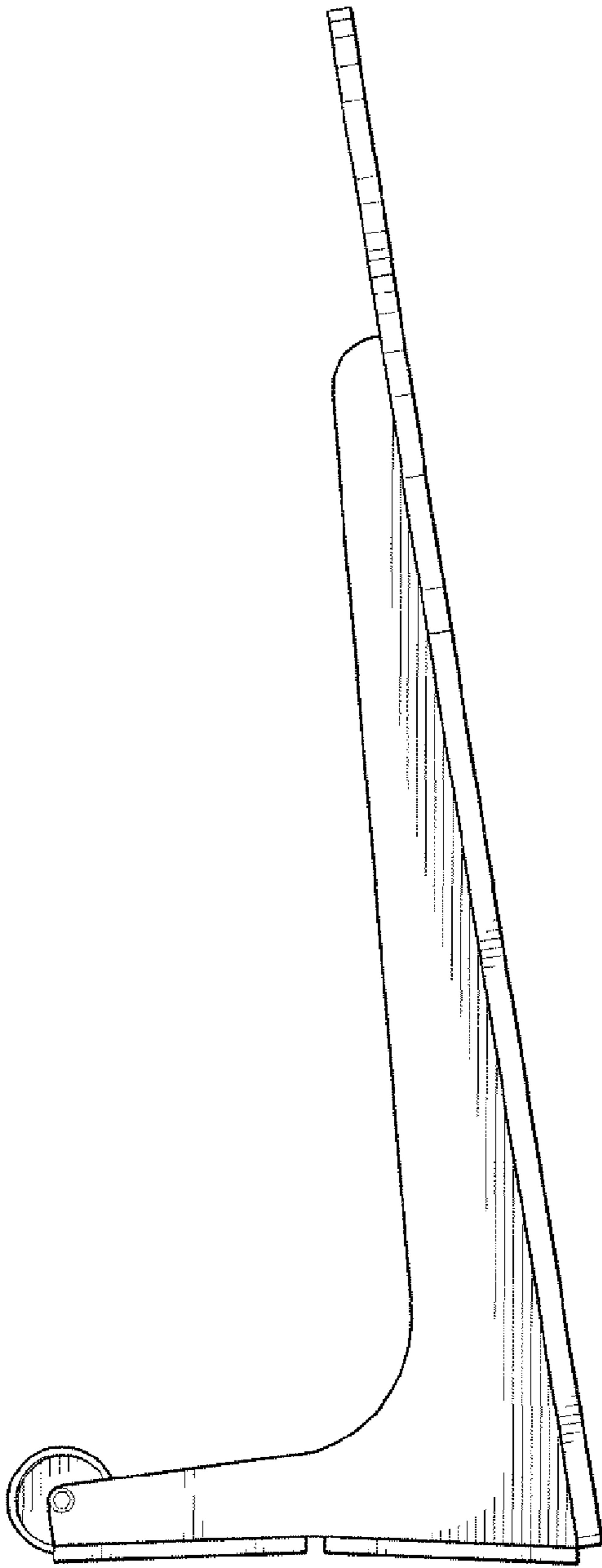


FIG. 15

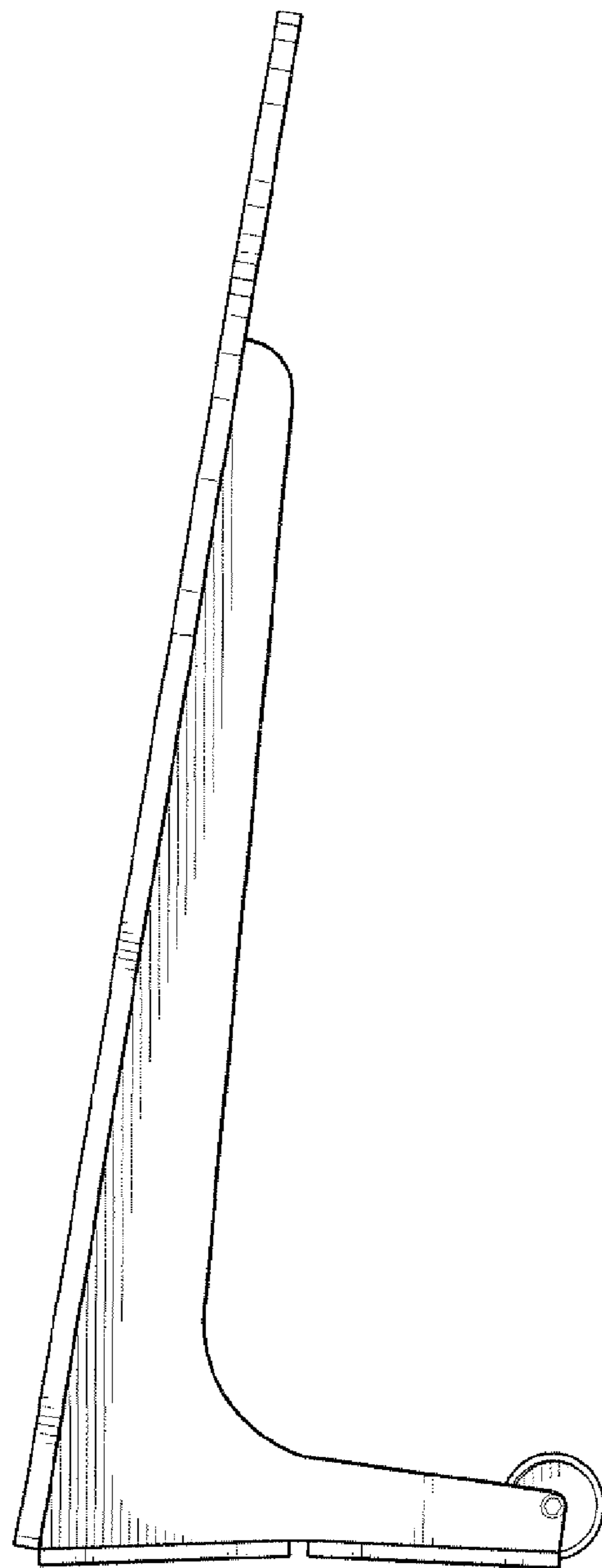


FIG. 16