



US00D590028S

(12) **United States Design Patent**
Tucker

(10) **Patent No.:** **US D590,028 S**

(45) **Date of Patent:** **** Apr. 7, 2009**

(54) **DOLL**

(76) Inventor: **Kathey E. Tucker**, 628 Lake Front Dr.,
Apt. 13, Sacramento, CA (US) 95831

(**) Term: **14 Years**

(21) Appl. No.: **29/249,173**

(22) Filed: **Sep. 26, 2006**

(51) **LOC (9) Cl.** **21-01**

(52) **U.S. Cl.** **D21/626**

(58) **Field of Classification Search** D21/621,
D21/625, 626, 627, 633, 645-649; 446/268,
446/305, 360-361, 376, 379, 382-384; D11/128,
D11/136, 160

See application file for complete search history.

(56) **References Cited**

U.S. PATENT DOCUMENTS

D128,039 S *	7/1941	Erdos	D11/128
D214,797 S *	7/1969	Basto	D11/160
D216,642 S *	2/1970	Basto	D11/128
D219,924 S *	2/1971	Trush	D11/128
D219,925 S *	2/1971	Trush	D11/128
3,924,351 A	12/1975	Terzian		
4,917,645 A	4/1990	Amici et al.		
D317,341 S *	6/1991	Cardillo	D21/626
D317,342 S *	6/1991	Warcholik	D21/626
D352,320 S *	11/1994	Hallman	D21/626
D353,634 S *	12/1994	Walsh	D21/626

5,376,038 A	12/1994	Arad et al.		
D398,665 S	9/1998	Hughes		
D404,093 S *	1/1999	Woods	D21/626
D405,722 S *	2/1999	Ayoub	D11/162
D417,707 S *	12/1999	Gilford	D21/626
6,007,404 A	12/1999	Trevino		
6,106,358 A	8/2000	McKenzie		
D442,651 S *	5/2001	Johnson	D21/626
D457,206 S *	5/2002	Dalebroux	D21/648
D480,770 S *	10/2003	Collins et al.	D21/626
D489,777 S *	5/2004	Brown	D21/626
D491,236 S *	6/2004	Brown	D21/626

* cited by examiner

Primary Examiner—Janice E. Seeger

Assistant Examiner—Zenita I Bennett

(57) **CLAIM**

The ornamental design for a doll, as shown and described.

DESCRIPTION

FIG. 1 is a front elevation view of a doll showing my new design;

FIG. 2 is a rear elevation view;

FIG. 3 is a right elevation view;

FIG. 4 is a left elevation view;

FIG. 5 is a top plan view; and,

FIG. 6 is a bottom plan view of a doll showing my new design.

1 Claim, 5 Drawing Sheets





FIG. 1

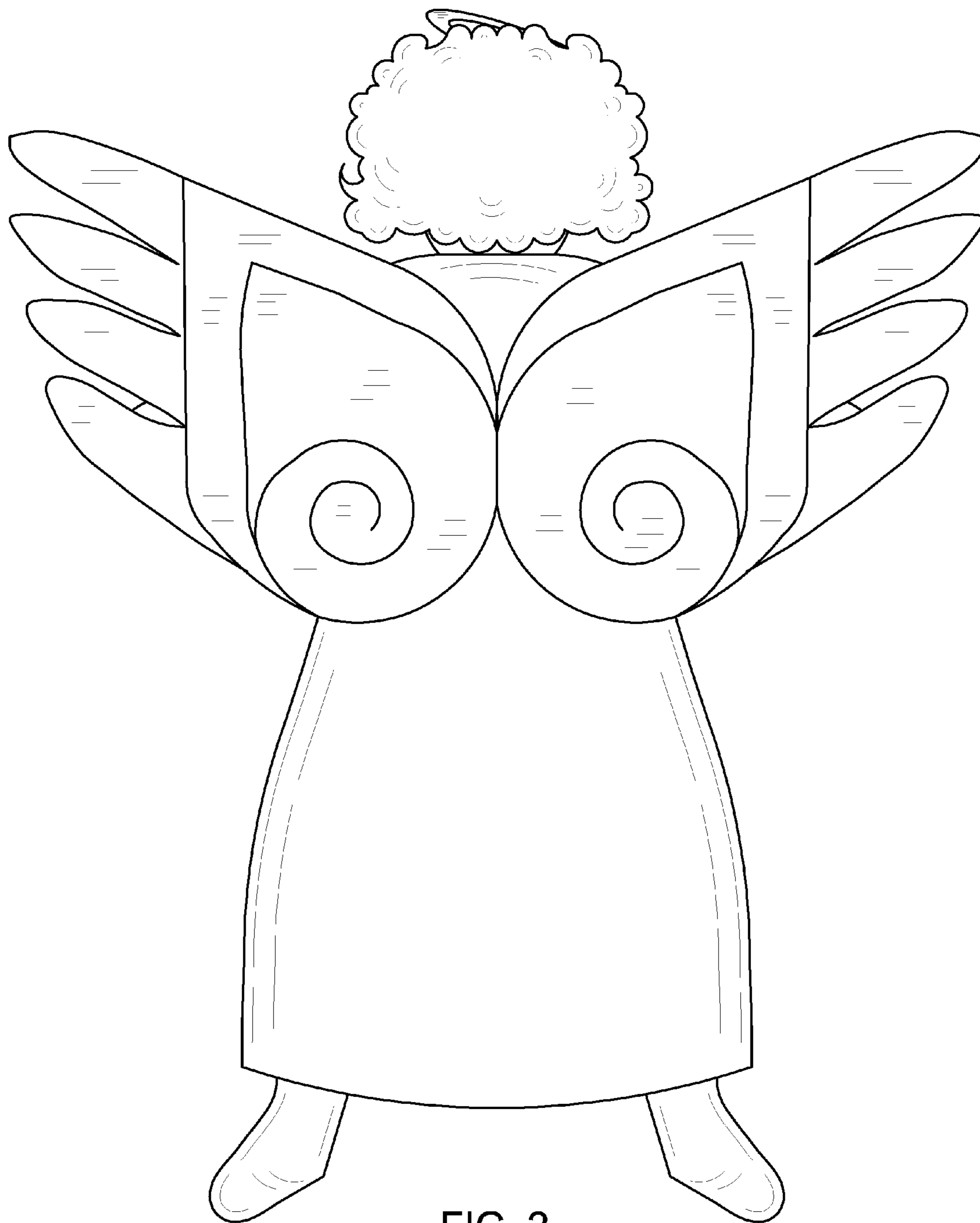


FIG. 2



FIG. 3

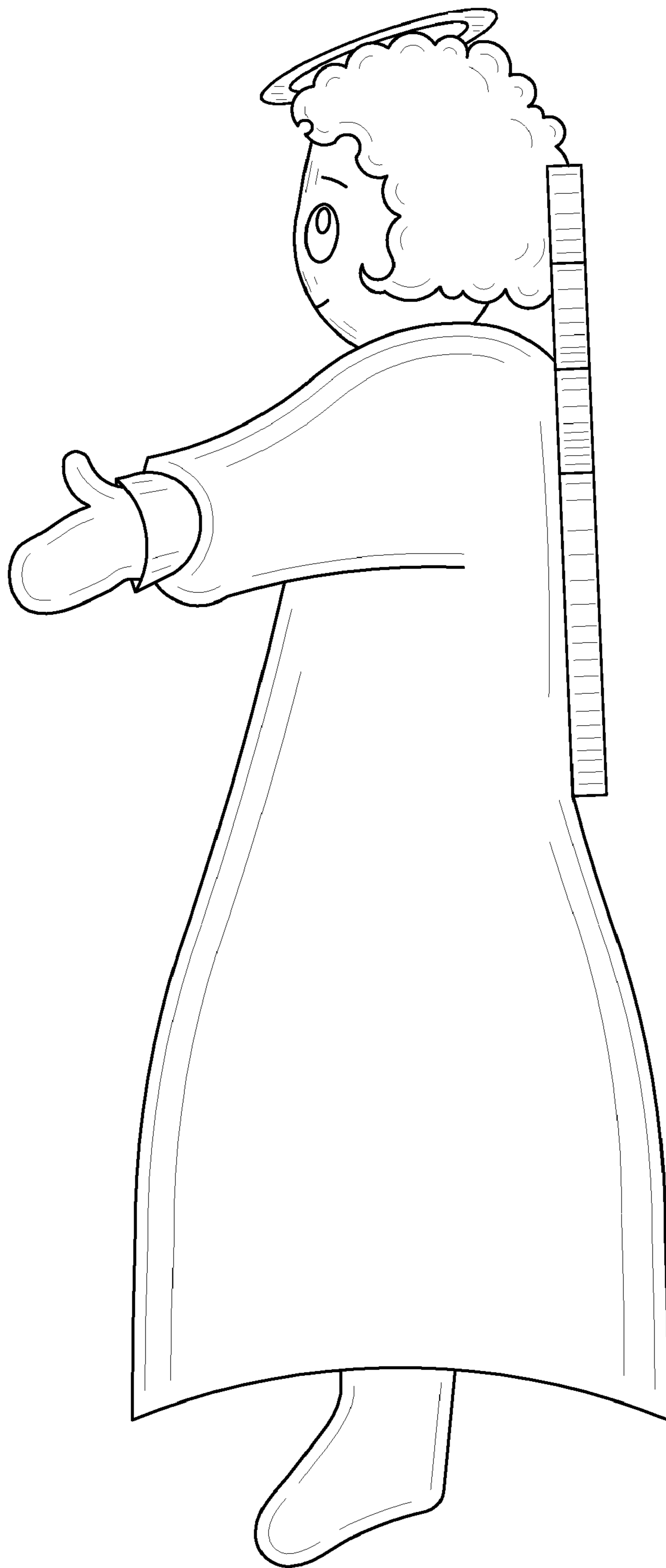


FIG. 4

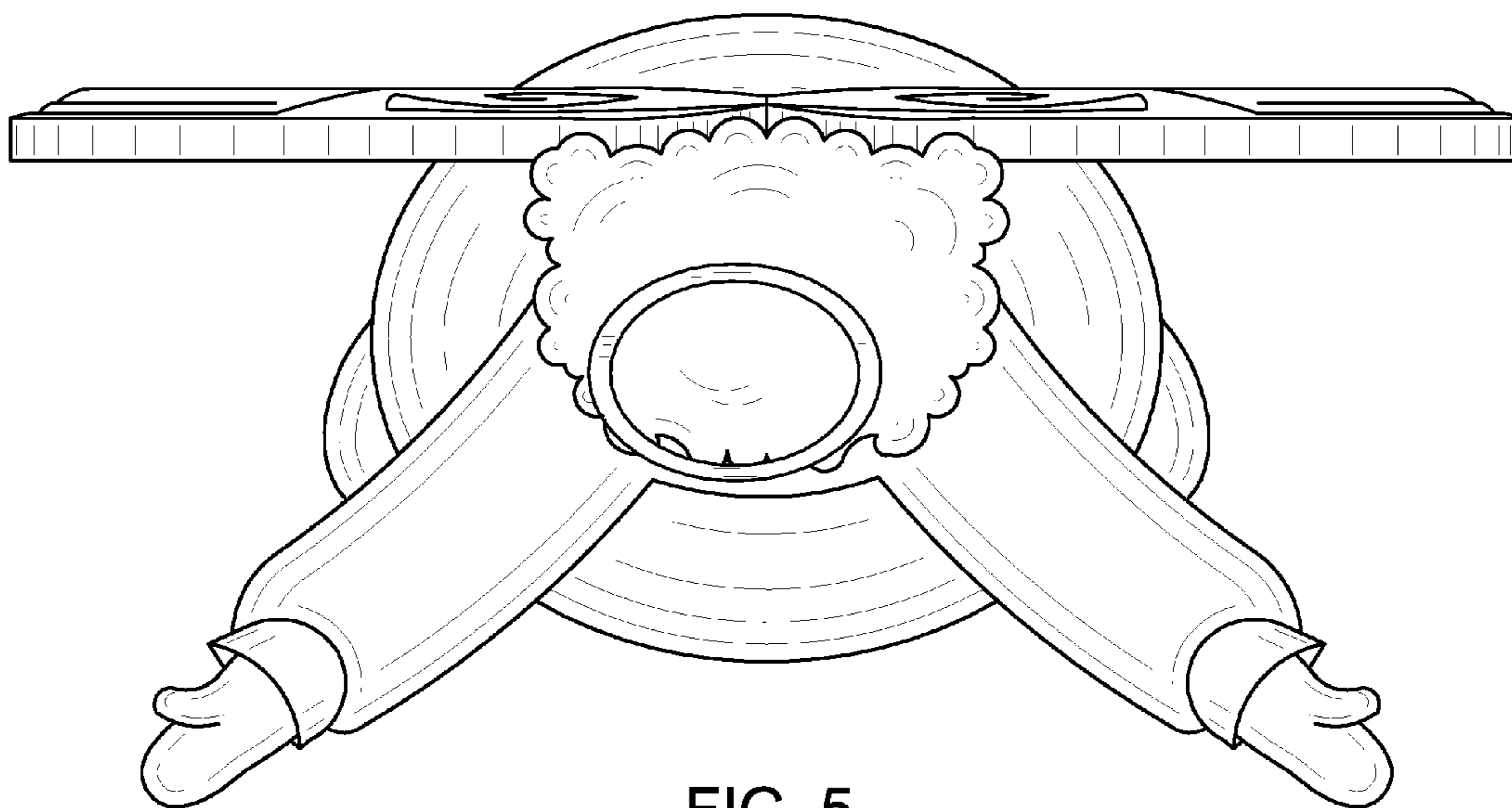


FIG. 5

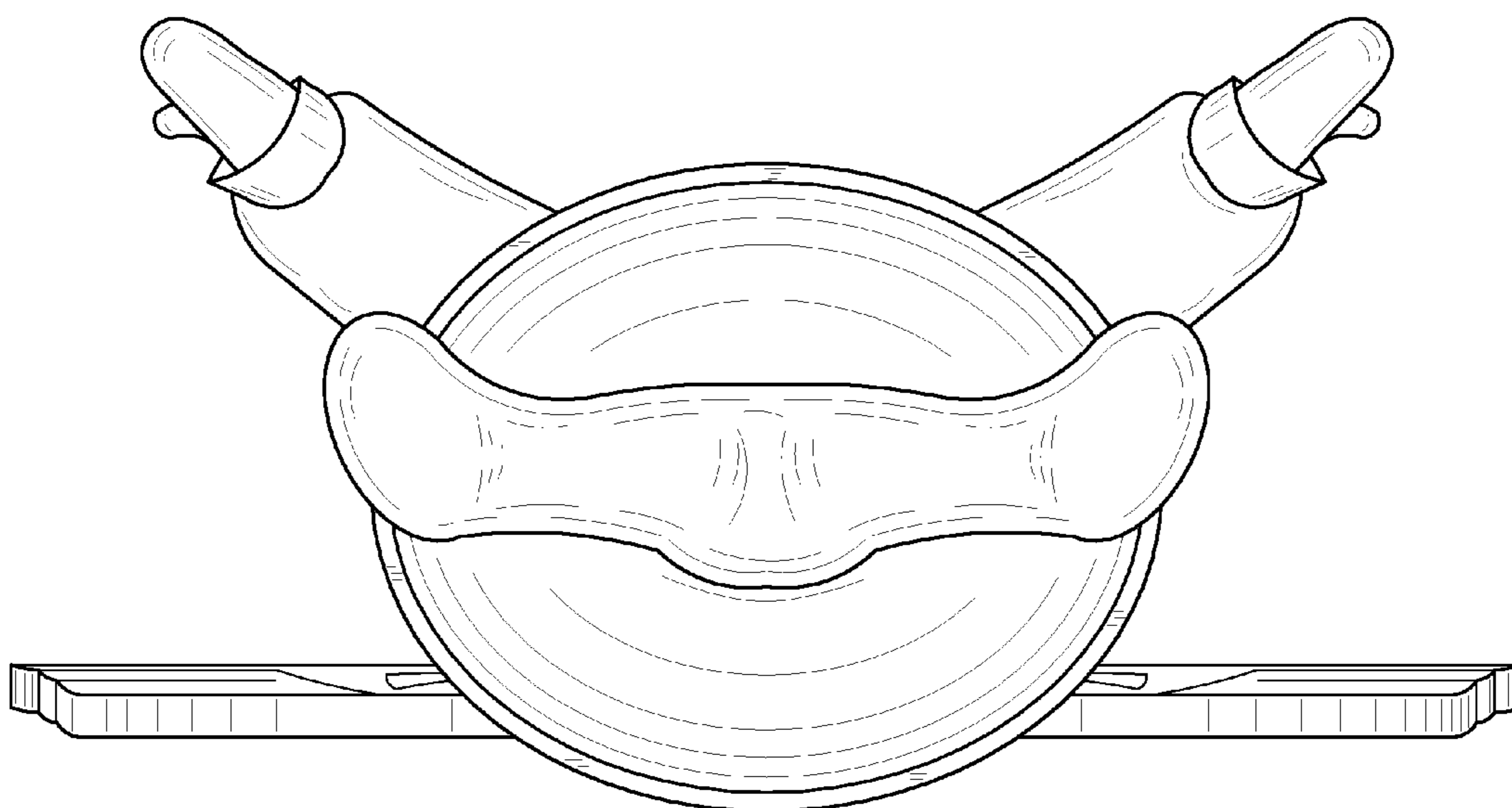


FIG. 6