



US00D590026S

(12) **United States Design Patent**
Bacchi

(10) **Patent No.:** **US D590,026 S**
(45) **Date of Patent:** **** Apr. 7, 2009**

(54) **GAMING CHIP CASE**

(75) Inventor: **Lorenzo Bacchi**, Denham (GB)

(73) Assignee: **Gamtec International Limited**,
Oxfordshire (GB)

(**) Term: **14 Years**

(21) Appl. No.: **29/296,716**

(22) Filed: **Oct. 26, 2007**

(30) **Foreign Application Priority Data**

Sep. 25, 2007 (EM) 795505

(51) **LOC (9) Cl.** **21-01**

(52) **U.S. Cl.** **D21/392**

(58) **Field of Classification Search** D21/385,
D21/392-396; D19/85; D6/449

See application file for complete search history.

(56) **References Cited**

U.S. PATENT DOCUMENTS

1,127,319 A * 2/1915 Thompson 273/148 A
1,586,111 A * 5/1926 Osborn 273/148 R
D249,902 S * 10/1978 Zawicki et al. D21/392
D253,180 S * 10/1979 Anderka D19/85
D338,495 S * 8/1993 Carella D19/85

* cited by examiner

Primary Examiner—Sandra Morris

(74) *Attorney, Agent, or Firm*—Davis & Bujold, P.L.L.C.

(57) **CLAIM**

I claim the ornamental design for a gaming chip case, as shown and described.

DESCRIPTION

FIG. 1 is a top, front, left side perspective view of a gaming chip case, with the locking cover shown in the locked position, embodying my new design;

FIG. 2 is a rear, bottom, right side perspective view thereof;

FIG. 3 is a left side elevational view of FIG. 1;

FIG. 4 is a top plan view view of FIG. 1;

FIG. 5 is a bottom plan view of FIG. 1;

FIG. 6 is a top, front, left side perspective view of the gaming chip case, with the locking cover shown in the unlocked position;

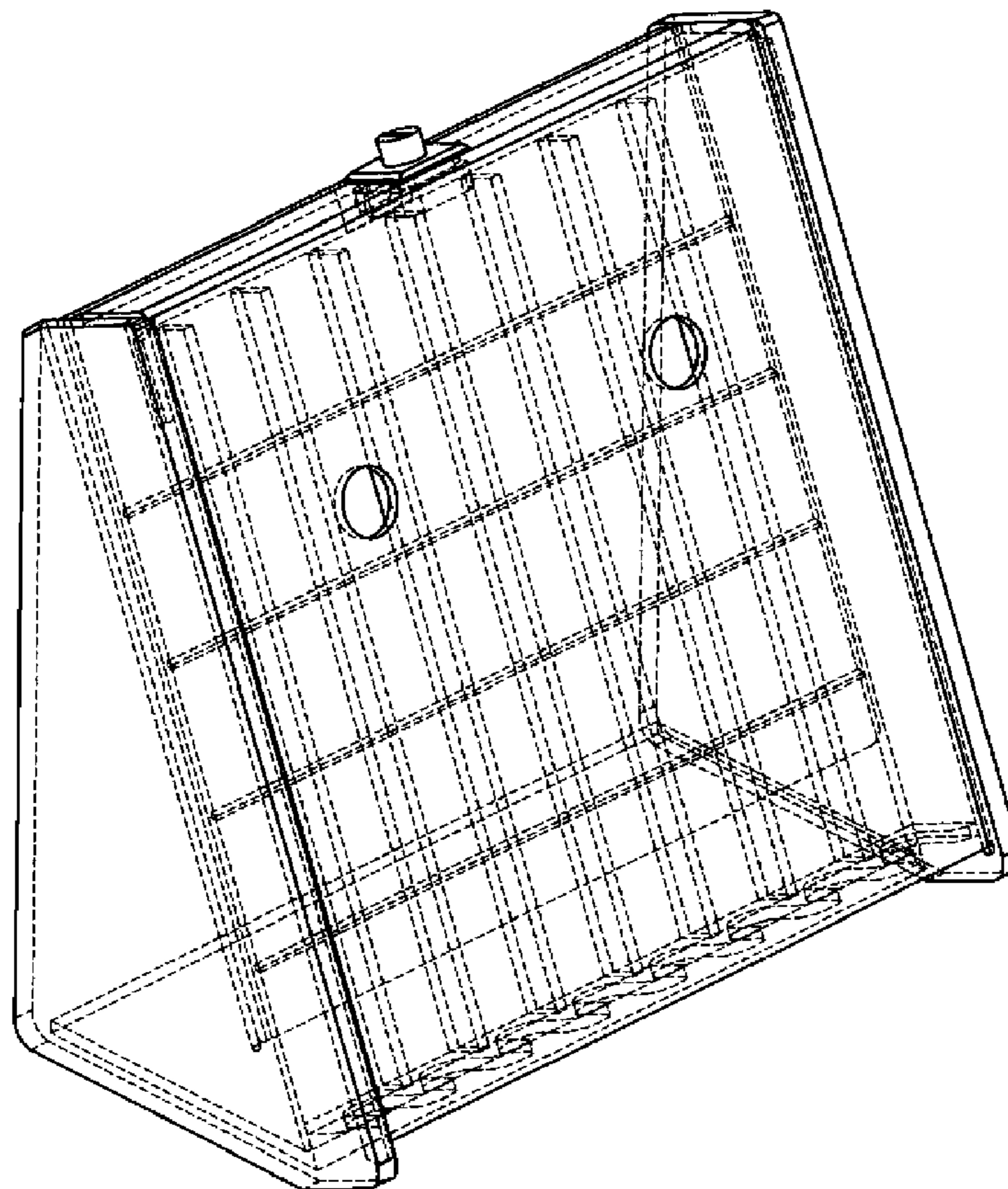
FIG. 7 is a rear, bottom, right side perspective view of FIG. 6;

FIG. 8 is a left side elevational view of FIG. 6;

FIG. 9 is a top plan view view of FIG. 6; and,

FIG. 10 is a bottom plan view of FIG. 6.

1 Claim, 10 Drawing Sheets



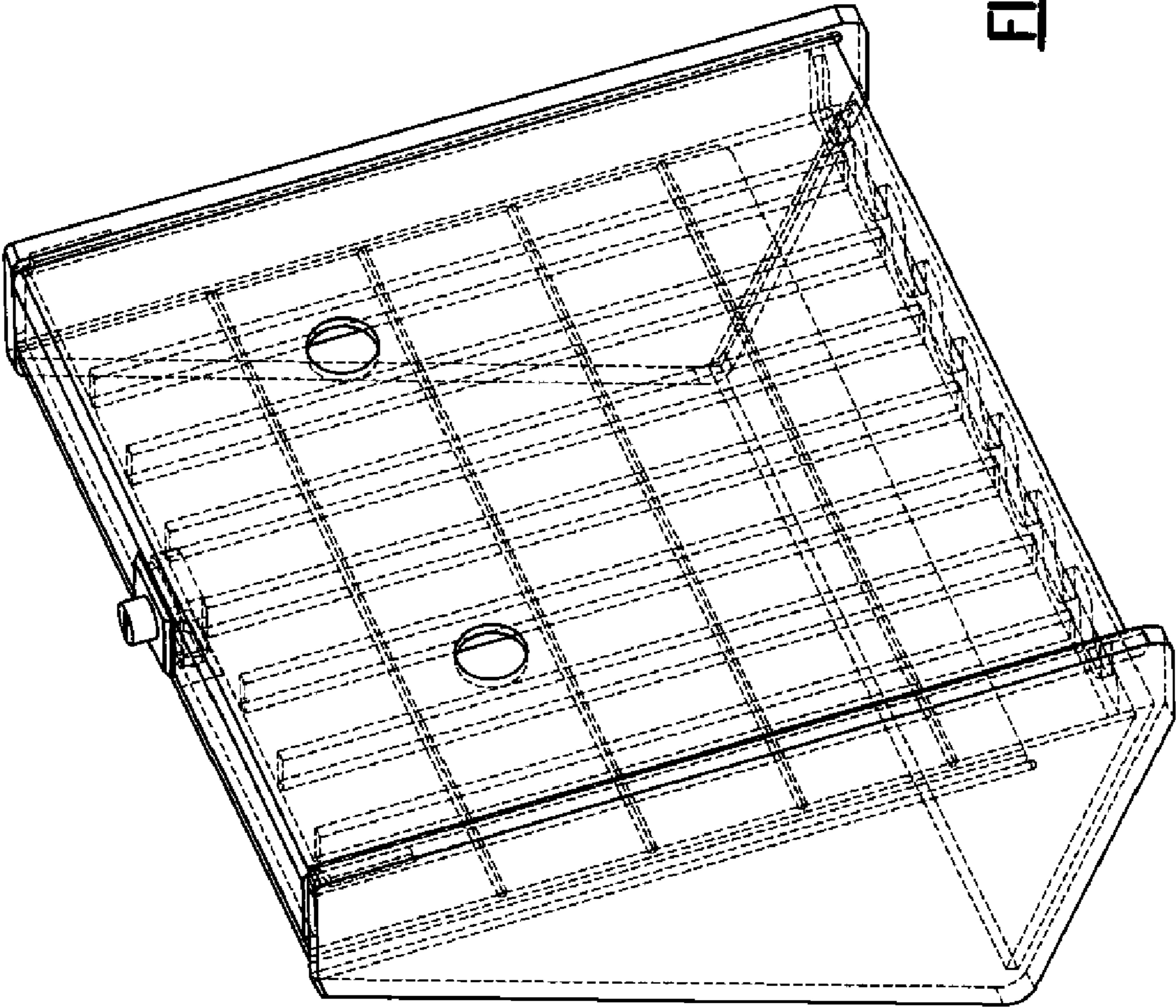


FIG. 1

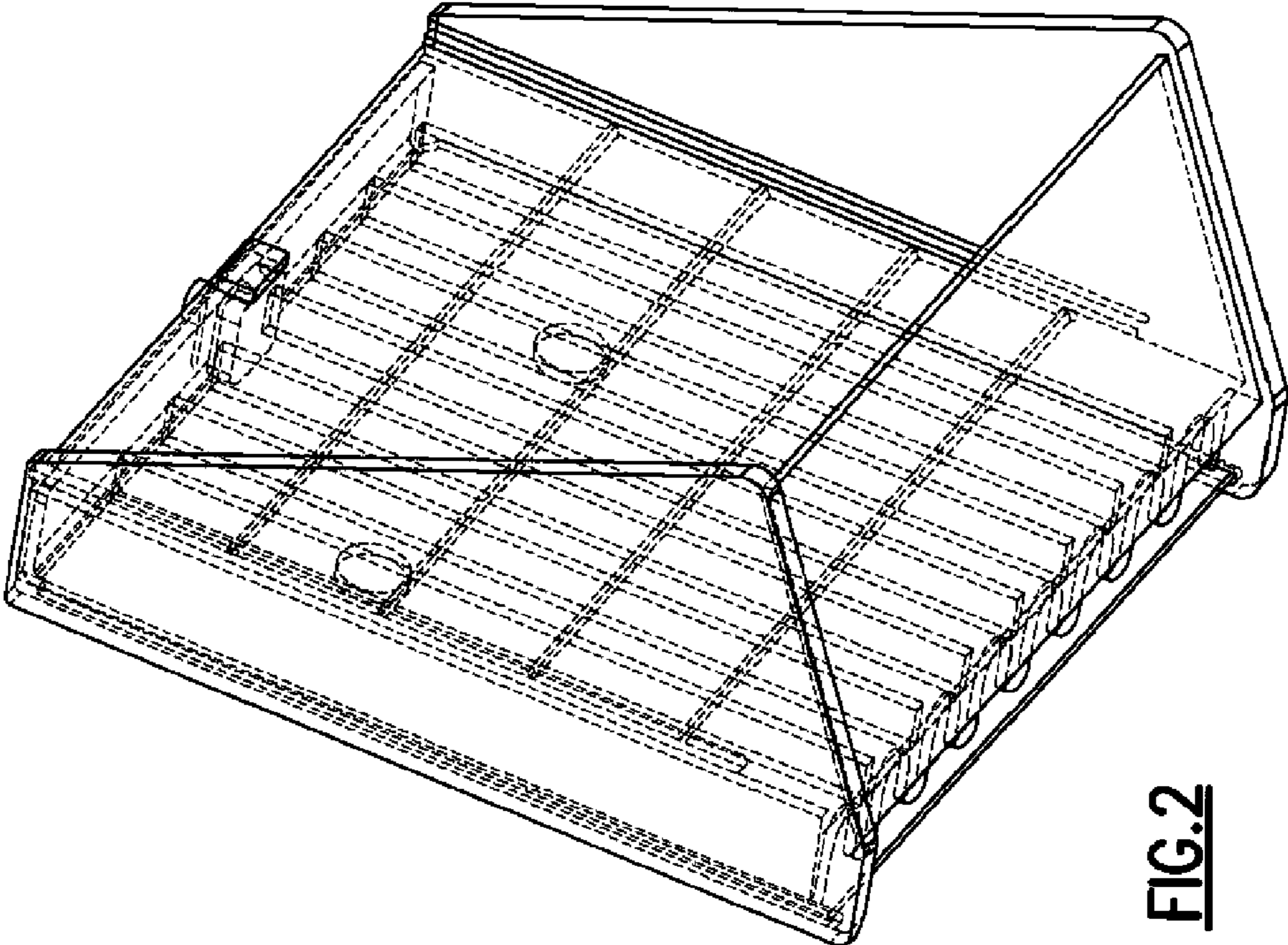
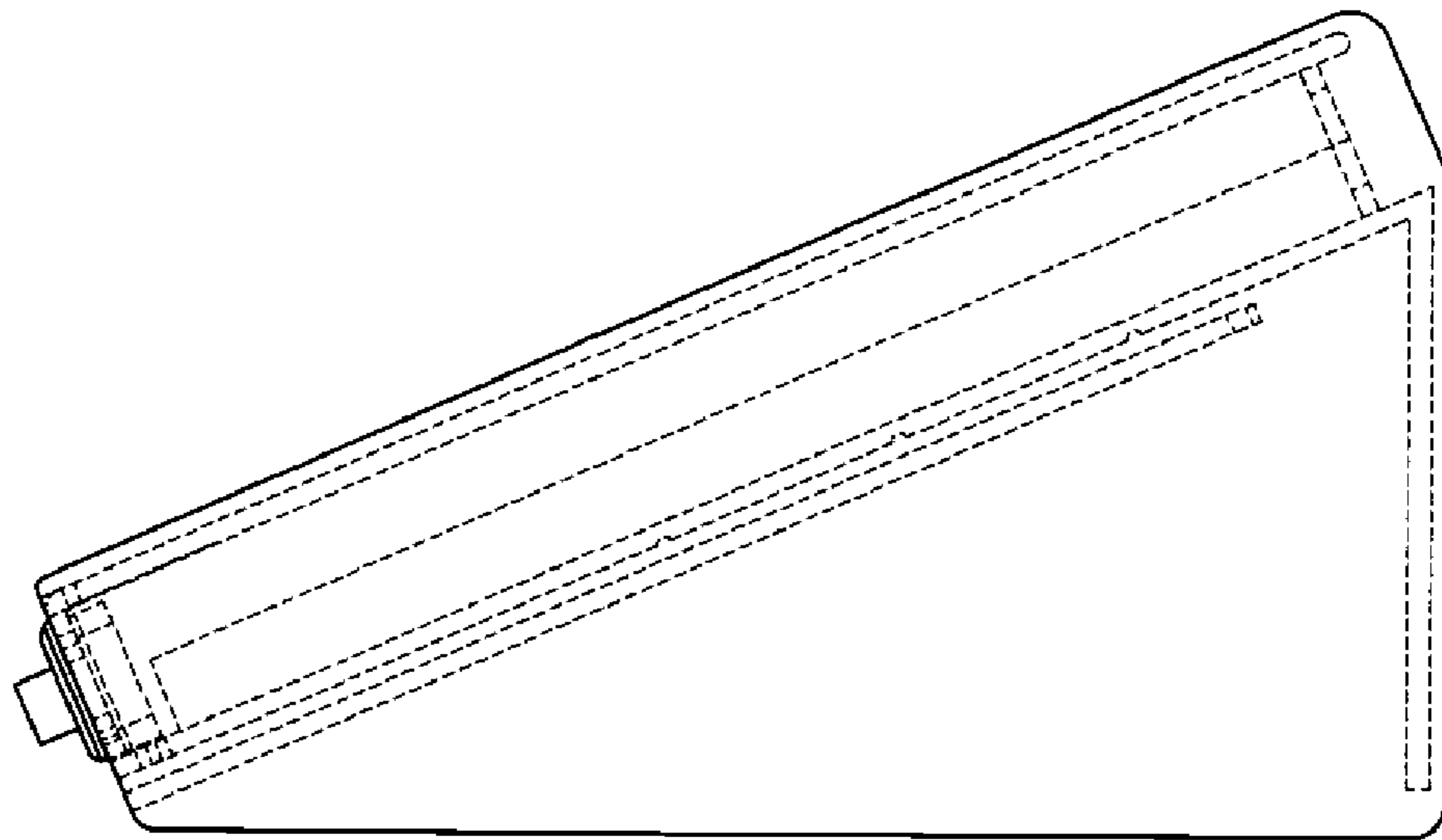


FIG. 2

FIG. 3



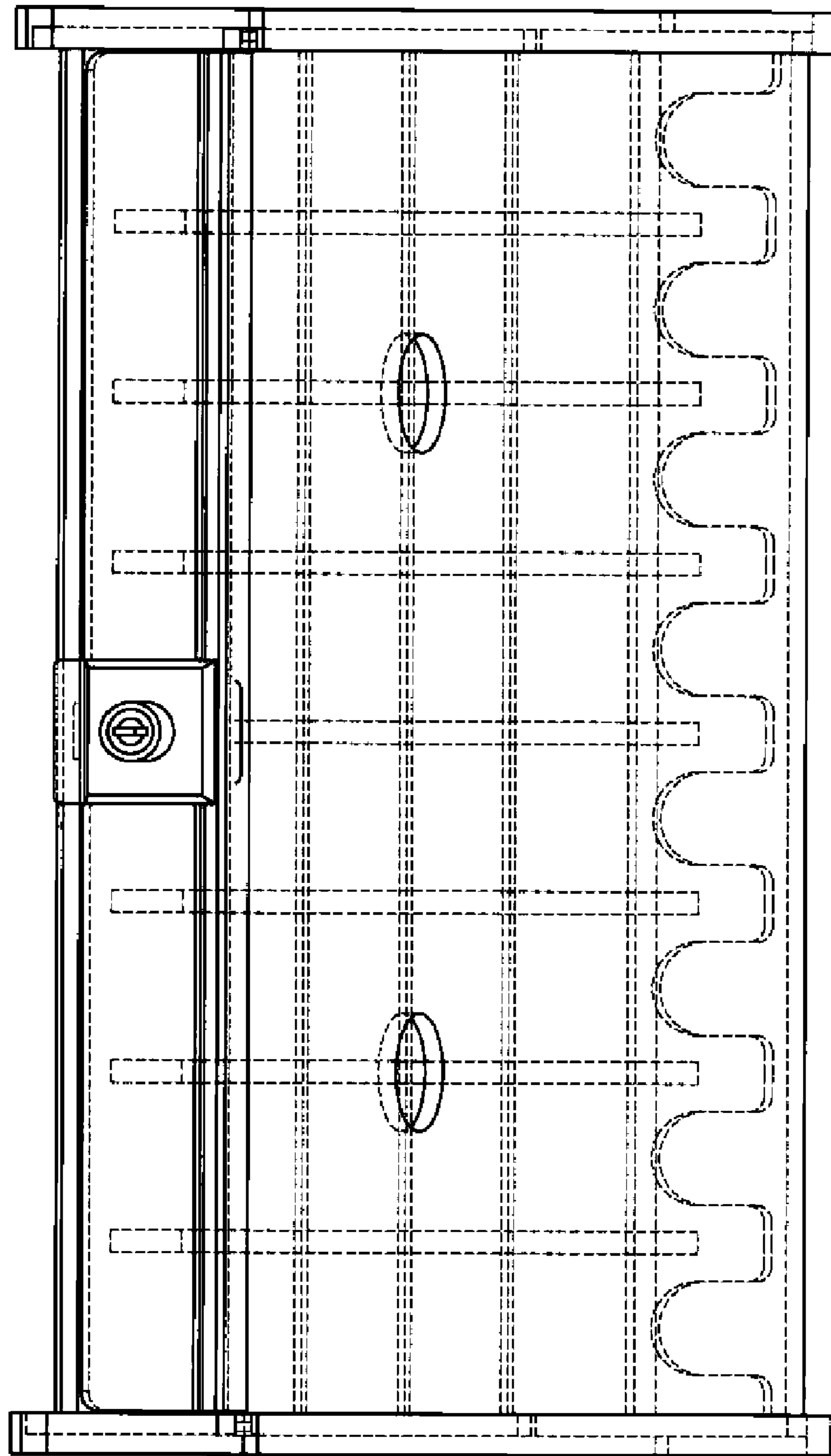


FIG. 4

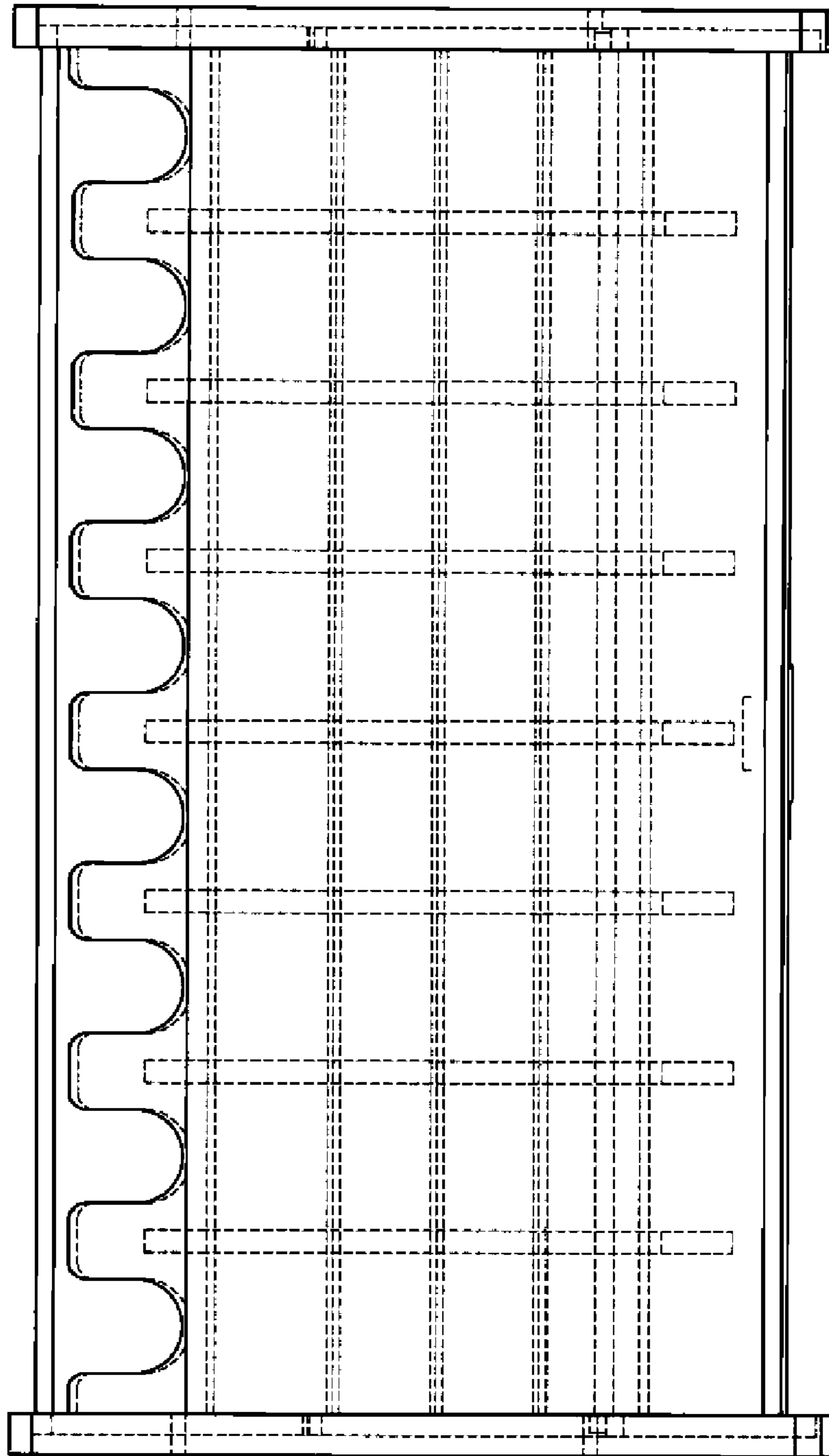


FIG. 5

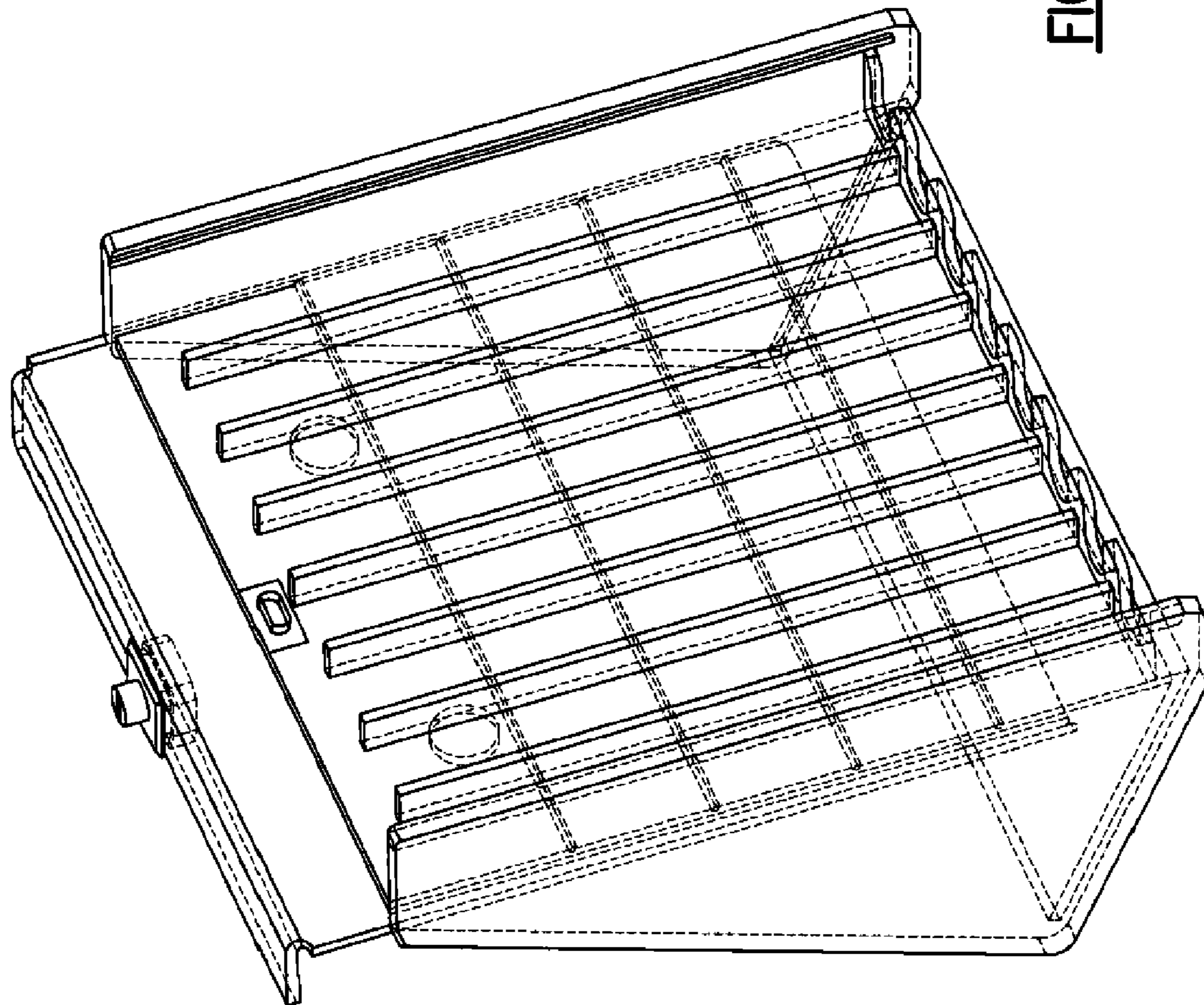


FIG. 6

FIG. 7

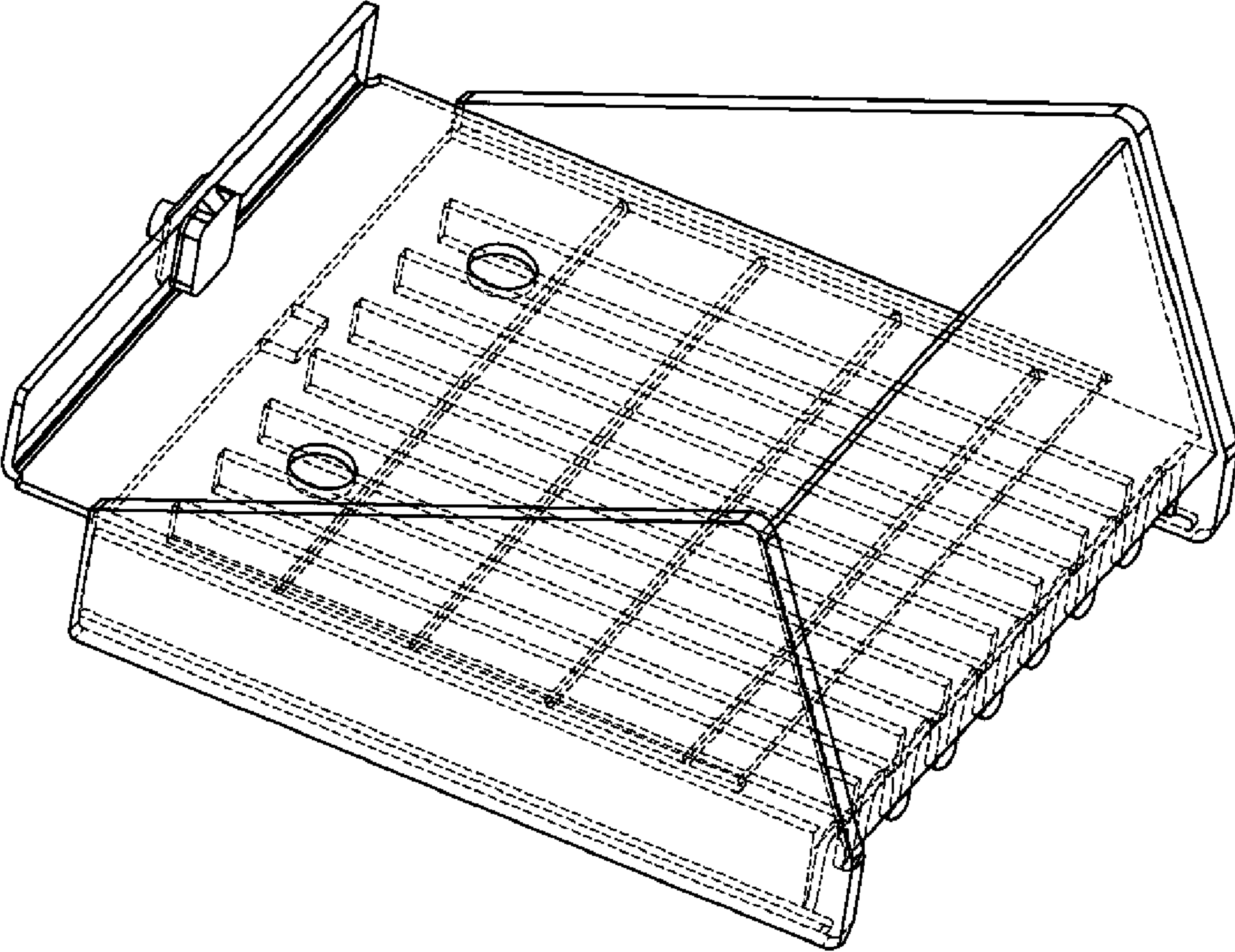
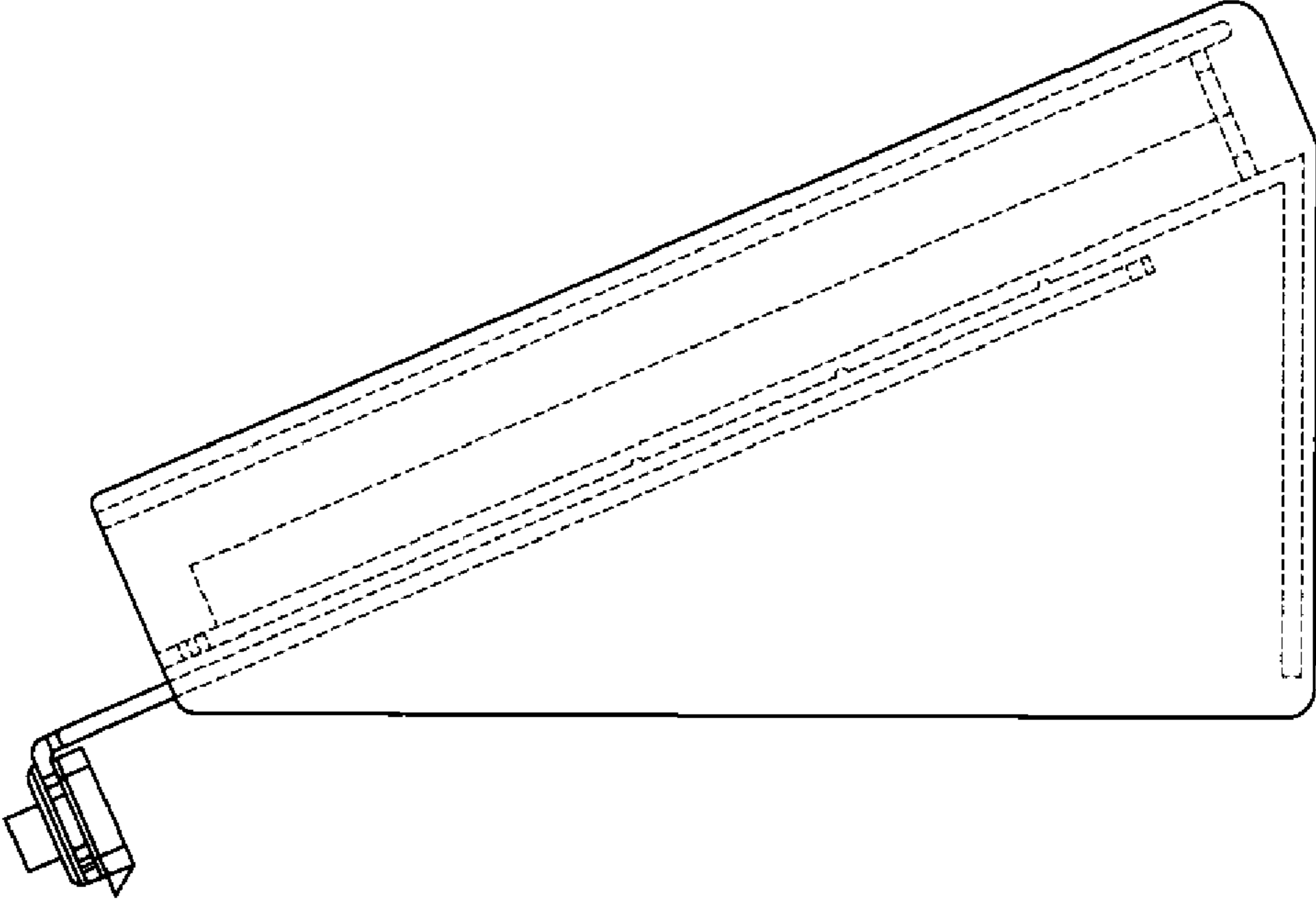


FIG. 8



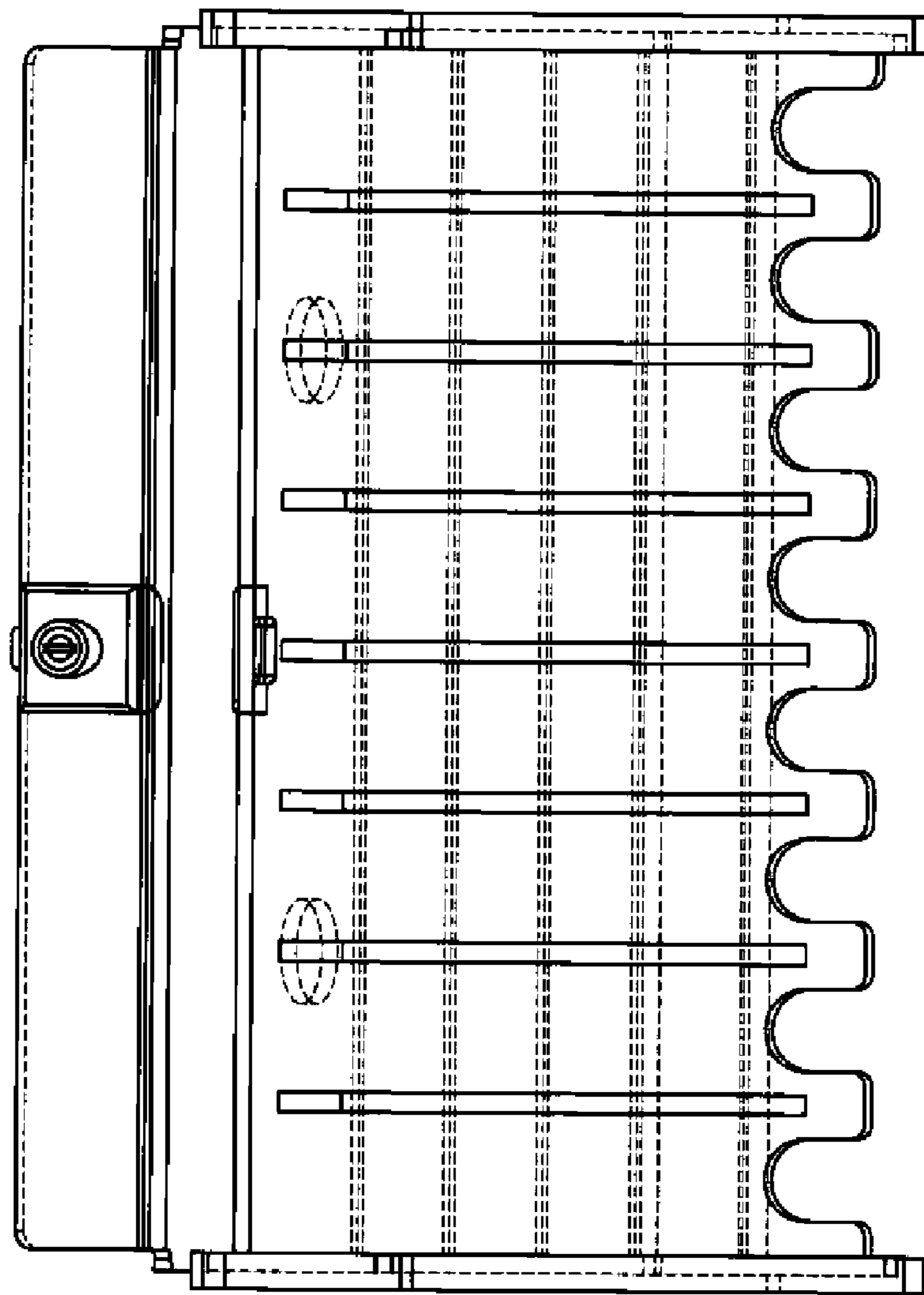


FIG. 9

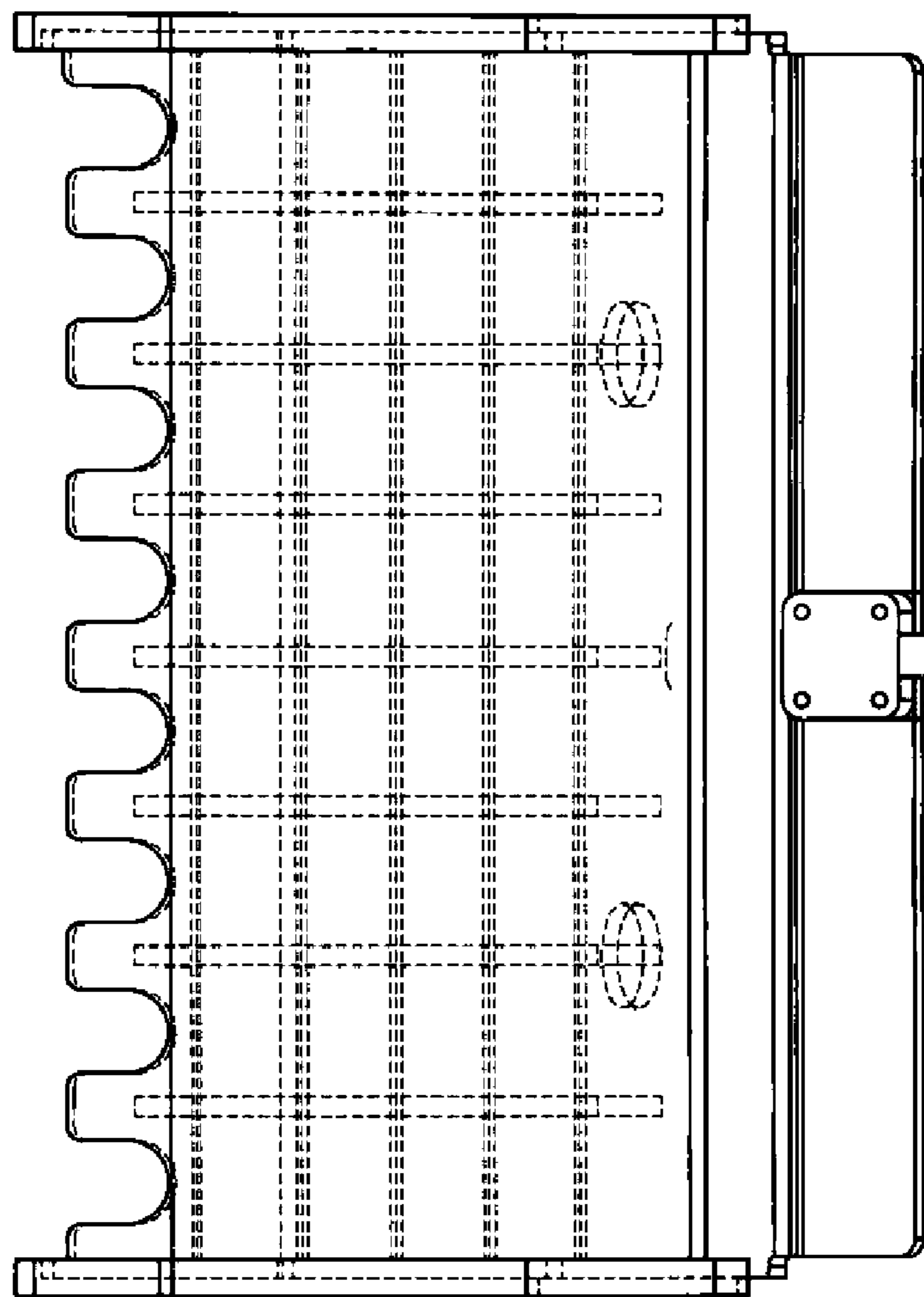


FIG. 10