

US00D590025S

(12) **United States Design Patent**
Fiore

(10) **Patent No.:** **US D590,025 S**

(45) **Date of Patent:** **** Apr. 7, 2009**

(54) **GAMING CONSOLE FOR PRIMARY AND SECONDARY GAMES**

D524,380 S * 7/2006 Seelig et al. D21/370
D558,835 S * 1/2008 Zielinski D21/385

(75) Inventor: **Richard W. Fiore**, Las Vegas, NV (US)

(73) Assignee: **Acres-Fiore Patents**, Las Vegas, NV (US)

(**) Term: **14 Years**

(21) Appl. No.: **29/305,340**

(22) Filed: **Mar. 18, 2008**

Related U.S. Application Data

(63) Continuation-in-part of application No. 12/037,295, filed on Feb. 26, 2008.

(51) **LOC (9) Cl.** **21-03**

(52) **U.S. Cl.** **D21/370; D21/385**

(58) **Field of Classification Search** D21/325,
D21/329, 369-370, 385; 463/12, 16-17,
463/20, 25, 46-47

See application file for complete search history.

(56) **References Cited**

U.S. PATENT DOCUMENTS

6,663,488 B1 * 12/2003 Adams 463/17

* cited by examiner

Primary Examiner—Sandra Morris

(74) *Attorney, Agent, or Firm*—Marger Johnson & McCollom, P.C.

(57) **CLAIM**

An ornamental design for the gaming console for primary and secondary games, as shown and described.

DESCRIPTION

FIG. 1 is an isometric view of my gaming console for primary and secondary games showing my new design. The height and depth of the gaming console are shown with dashed lines;

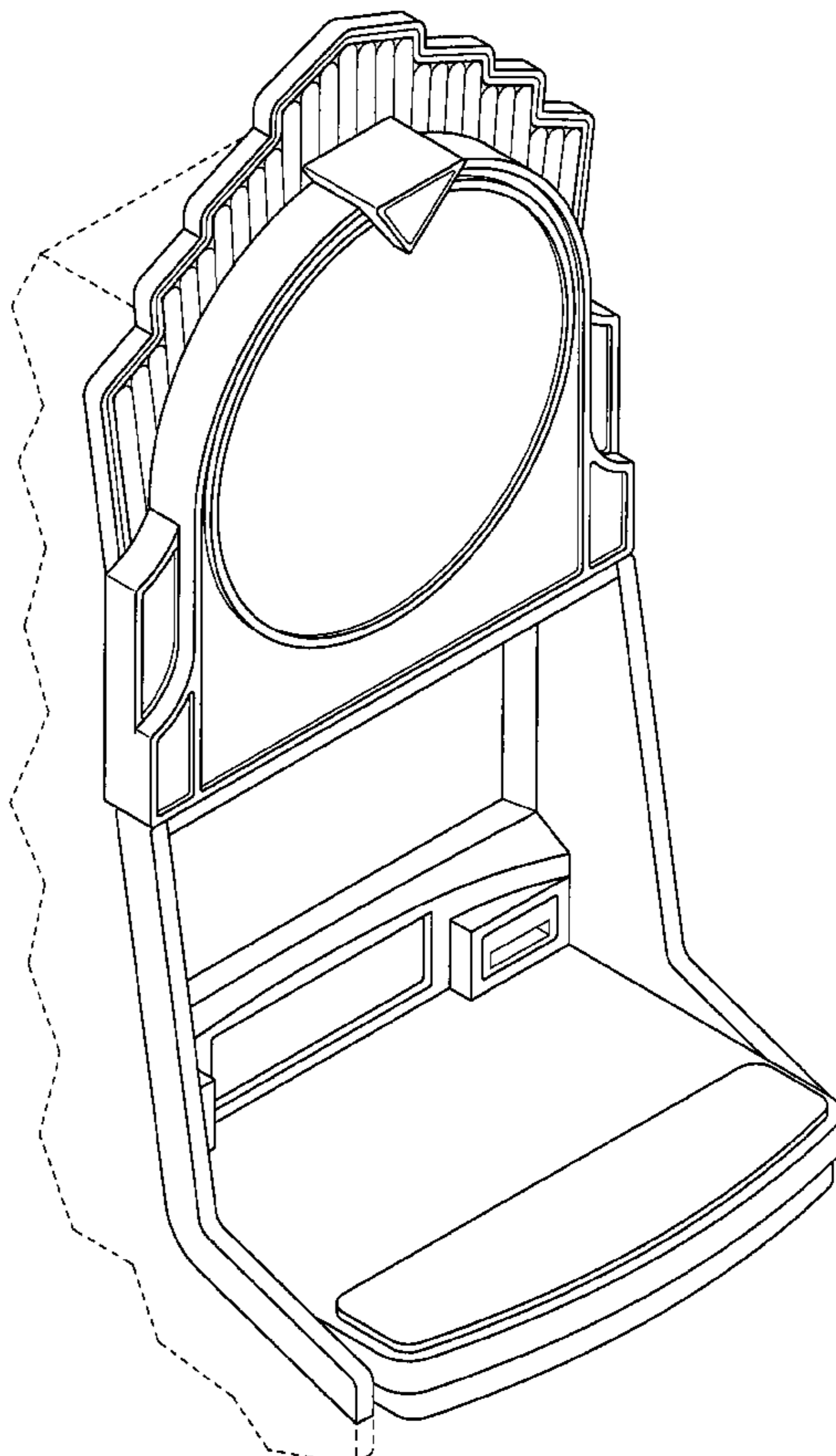
FIG. 2 is a front view of the design of FIG. 1;

FIG. 3 is a side view of the design of FIG. 1; and,

FIG. 4 is a top view of the design of FIG. 1.

The broken line showing is for illustrative purposes only, and forms no part of the claimed design.

1 Claim, 3 Drawing Sheets



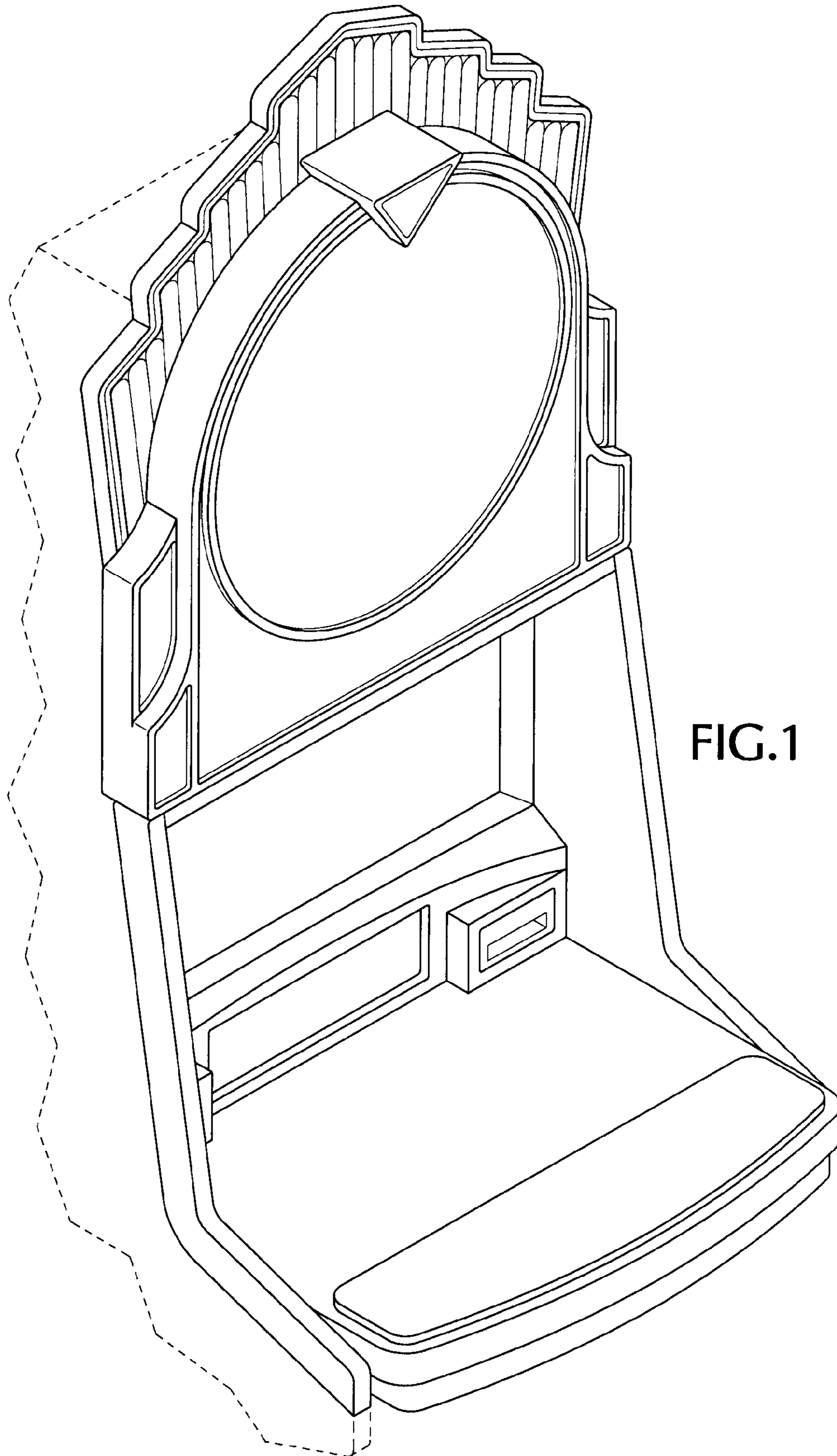


FIG. 1

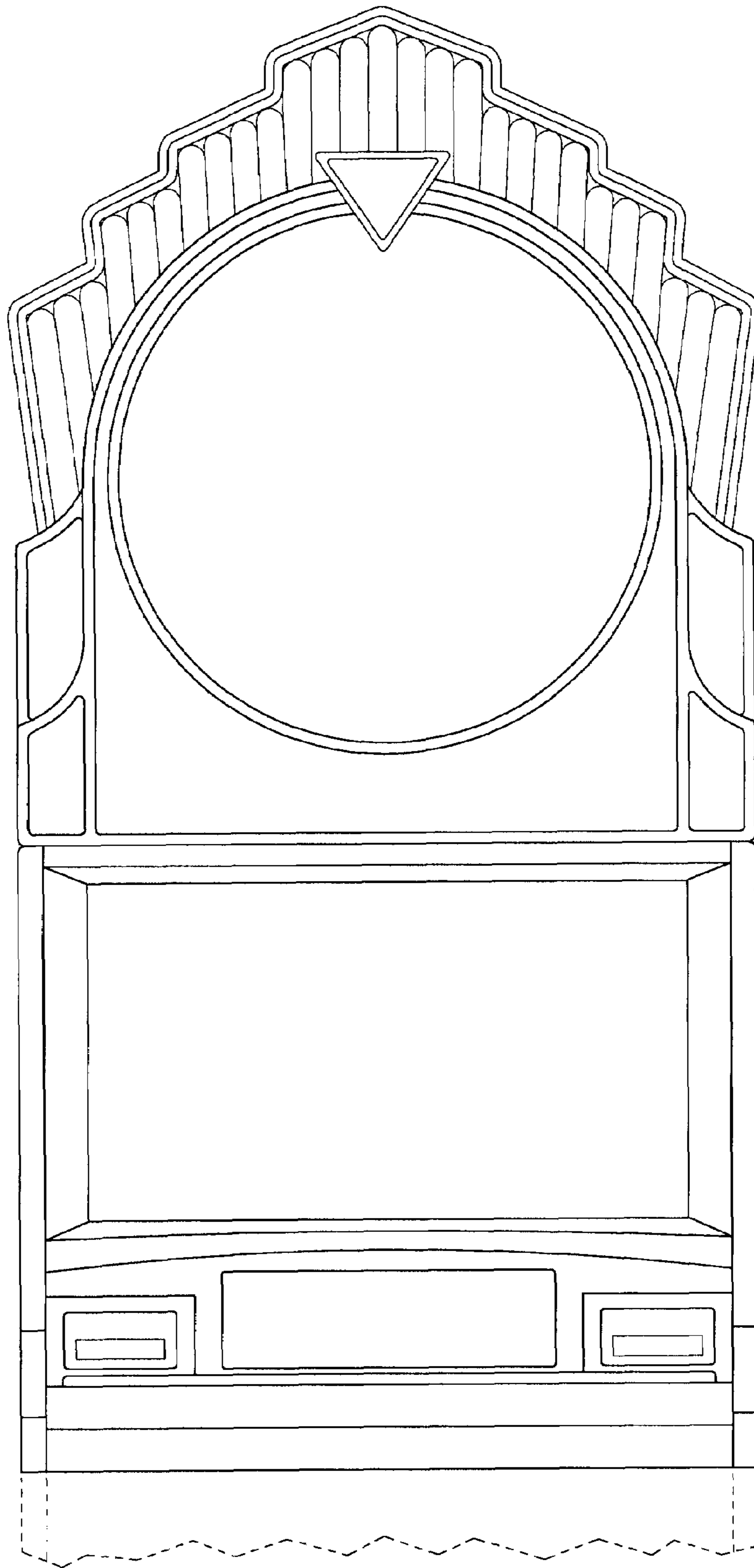


FIG.2

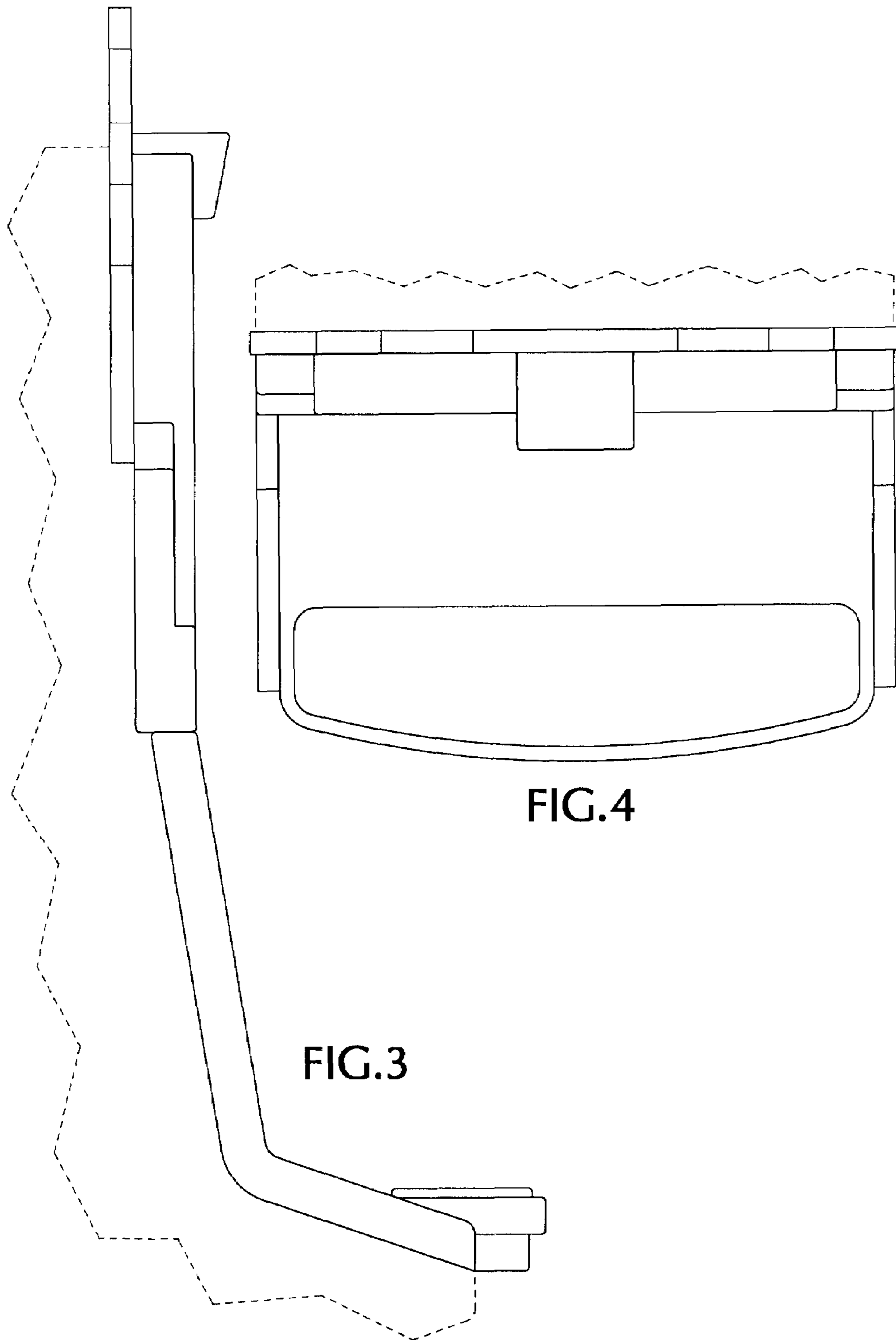


FIG.4

FIG.3