

US00D590016S

(12) **United States Design Patent**
Weinstein

(10) **Patent No.:** **US D590,016 S**

(45) **Date of Patent:** **** Apr. 7, 2009**

(54) **PILLBOX DIARY**

(76) **Inventor:** **Marc Chase Weinstein**, 740 Bryant Ave., Roslyn Harbor, NY (US) 11576

(**) **Term:** **14 Years**

(21) **Appl. No.:** **29/326,850**

(22) **Filed:** **Oct. 24, 2008**

(51) **LOC (9) Cl.** **19-04**

(52) **U.S. Cl.** **D19/27**

(58) **Field of Classification Search** D6/626,
D6/632, 407; D3/303, 301; D19/27, 26,
D19/90, 30, 31; D9/423; 402/73; 281/37,
281/31, 4, 29, 2

See application file for complete search history.

(56) **References Cited**

U.S. PATENT DOCUMENTS

2,081,873	A *	5/1937	Larsen	281/33
2,081,875	A *	5/1937	Ross	281/33
2,108,015	A *	2/1938	Kalish	281/29
2,193,348	A *	3/1940	Schade	281/27.2
2,228,355	A *	1/1941	Key	402/26
2,244,246	A *	6/1941	Esterly	281/20
2,739,826	A *	3/1956	Triebel, Jr.	462/17
4,907,905	A *	3/1990	Fournier	402/80 R
D356,111	S *	3/1995	Casteneda, Jr.	D19/27
D433,057	S *	10/2000	Chu et al.	D18/7
6,203,230	B1 *	3/2001	Whang	402/57
D482,984	S *	12/2003	Marchand	D11/79
6,932,534	B2 *	8/2005	O'Hara	402/73

D526,661	S *	8/2006	Arai	D14/493
7,201,528	B1 *	4/2007	Swegart	402/73
D545,362	S *	6/2007	King et al.	D19/20
D551,703	S *	9/2007	Baker et al.	D19/26
7,393,017	B2 *	7/2008	Carmichael et al.	281/15.1
2004/0136774	A1 *	7/2004	O'Boyle	402/73
2004/0253045	A1 *	12/2004	Walley et al.	402/57
2007/0297848	A1 *	12/2007	Girard	402/60

* cited by examiner

Primary Examiner—Cathron C Brooks

Assistant Examiner—Austin Murphy

(57) **CLAIM**

I claim the ornamental design for a pillbox diary, as shown and described.

DESCRIPTION

FIG. 1 shows a “closed” front perspective view of my design for a pillbox diary;

FIG. 2 shows an “open” front perspective view thereof;

FIG. 3 shows a front view thereof;

FIG. 4 shows a rear view thereof;

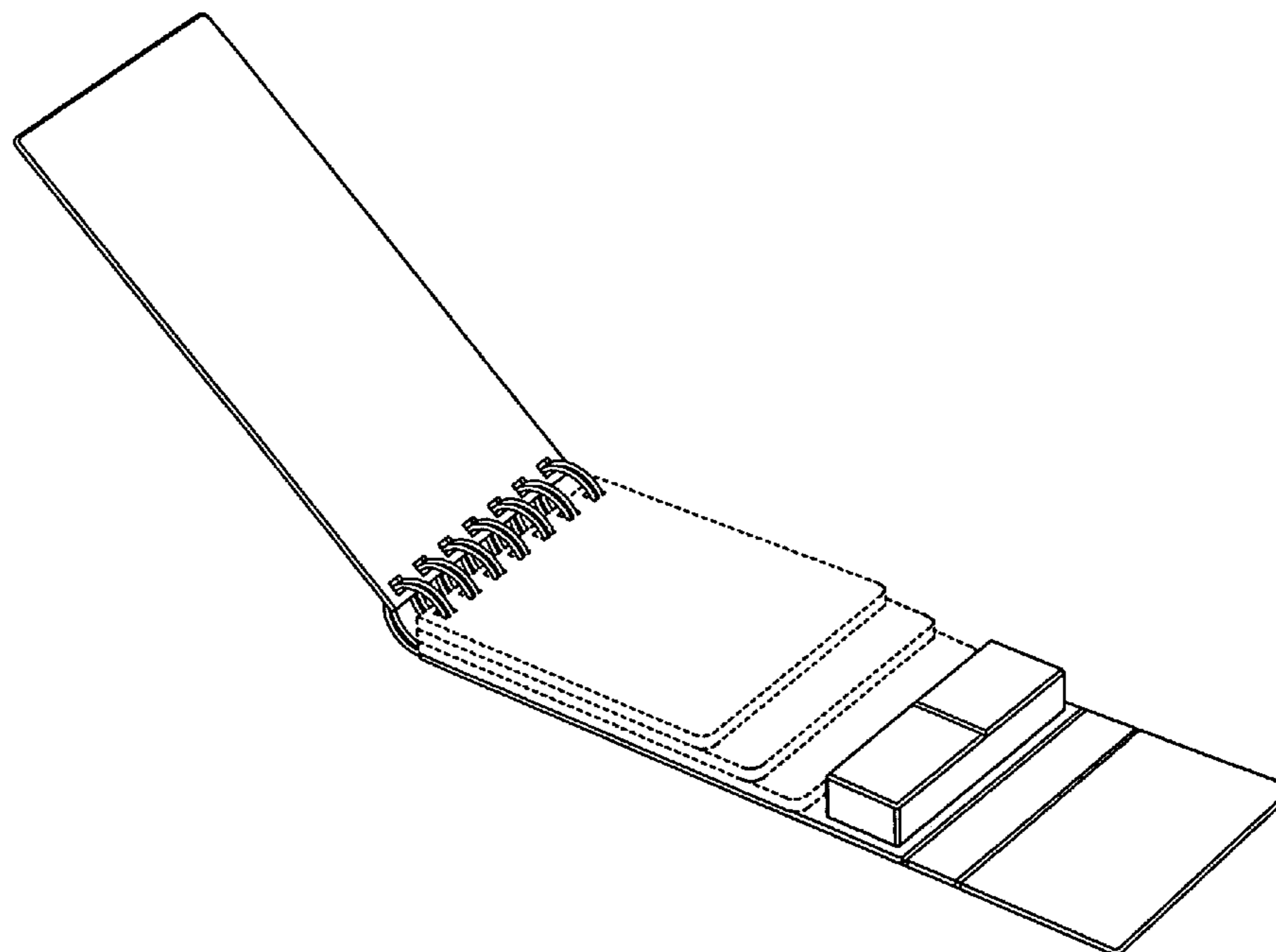
FIG. 5 shows a top view thereof;

FIG. 6 shows a side view thereof; and,

FIG. 7 shows an opposite side view thereof.

The dashed lines in FIGS. 1–3, 5 and 7 are for illustrative purposes only and do not form part of the claimed design.

1 Claim, 3 Drawing Sheets



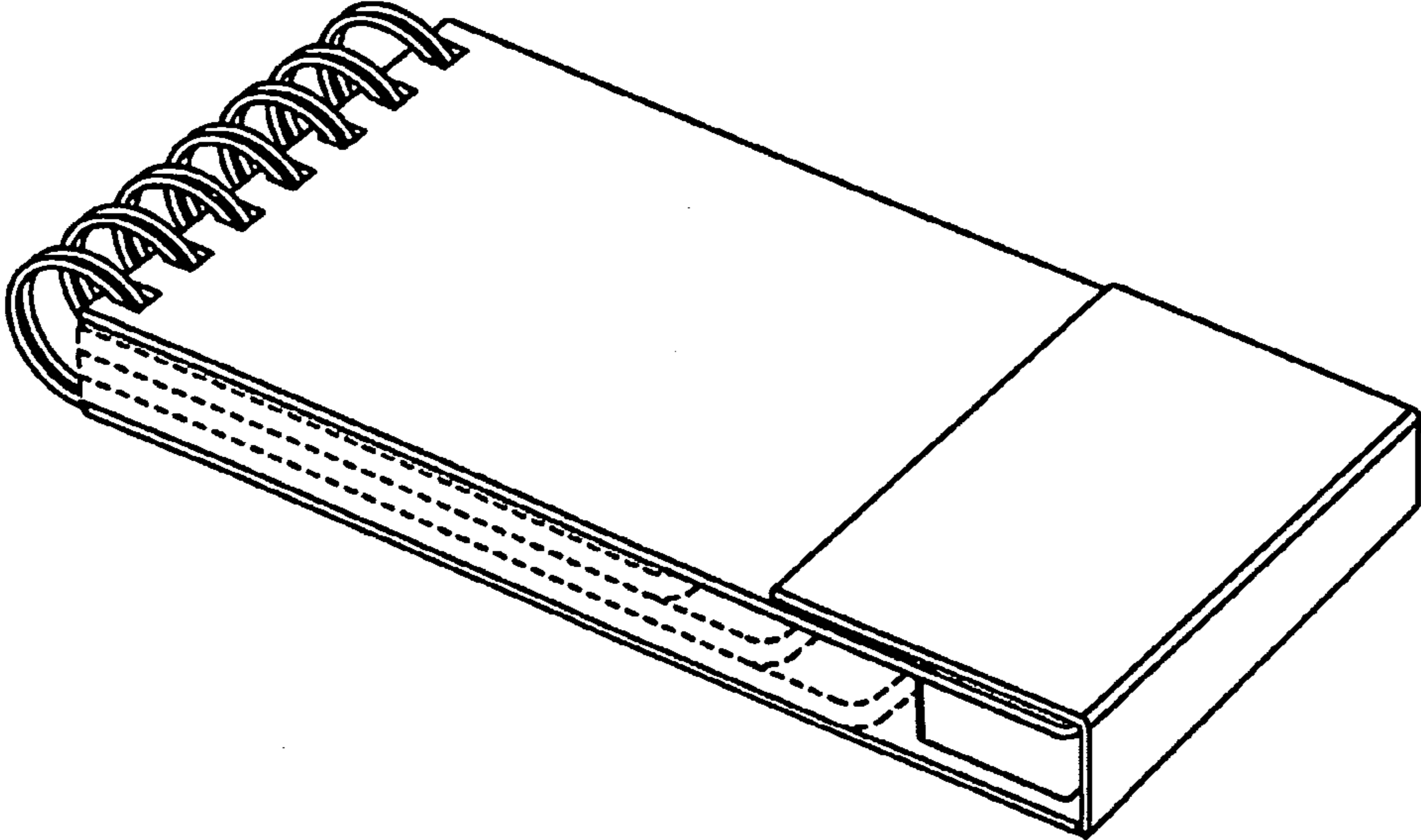


FIG 1

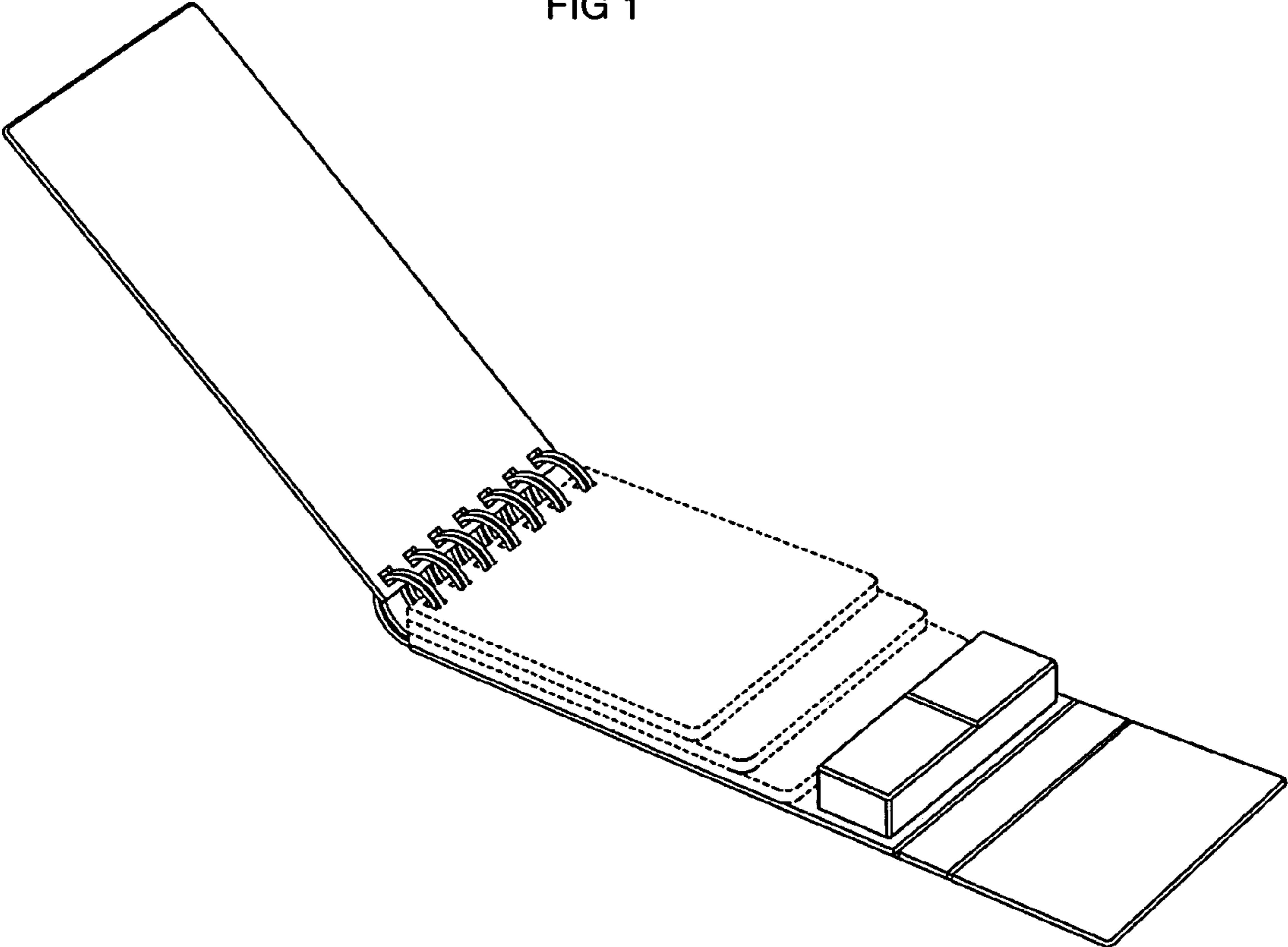


FIG 2

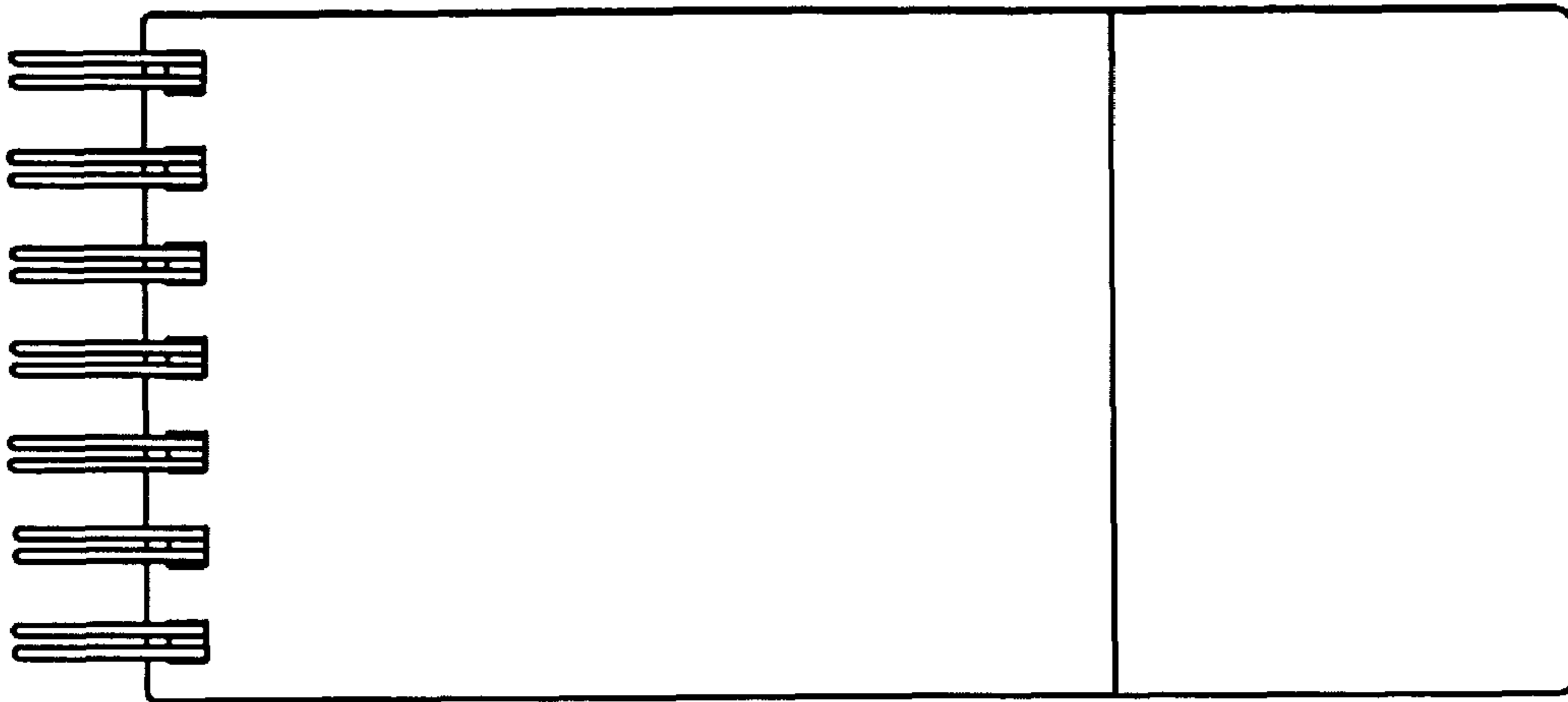


FIG 3

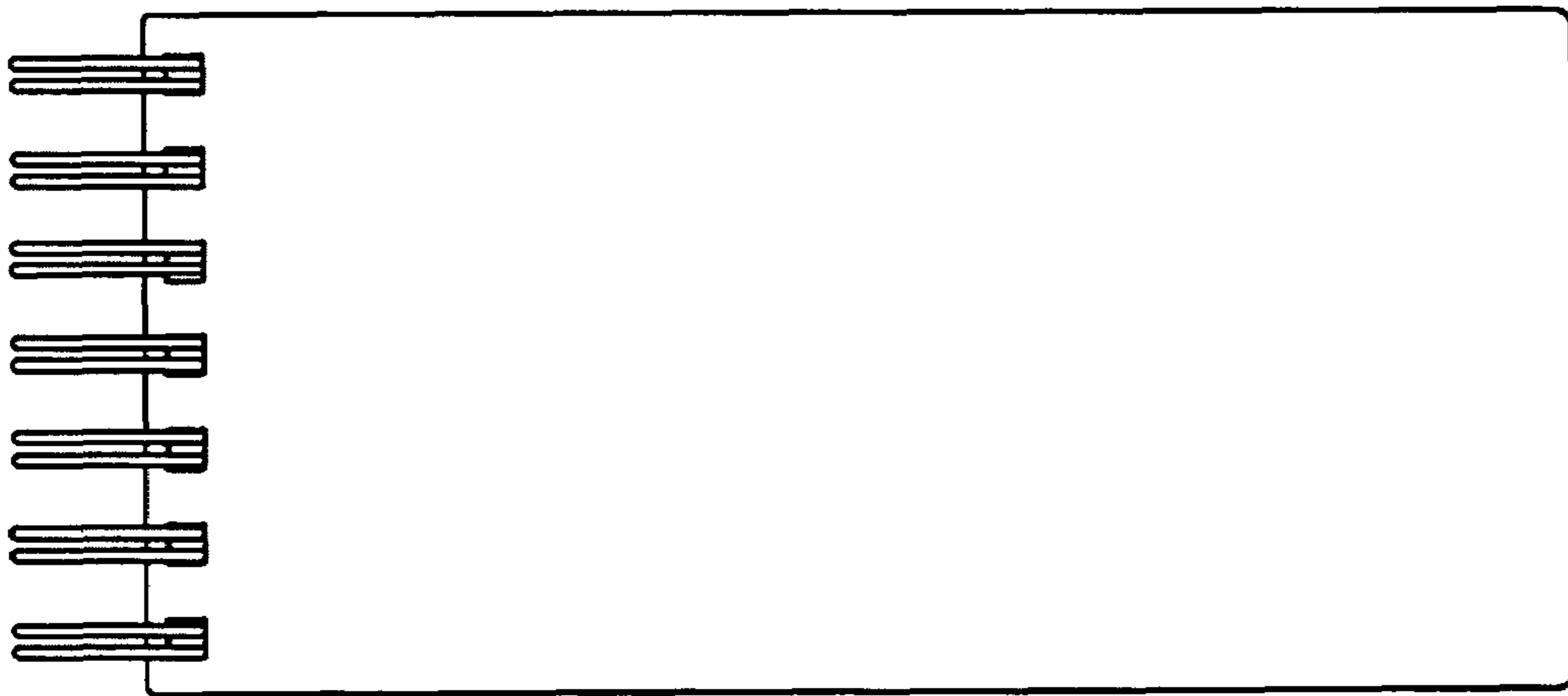


FIG 4

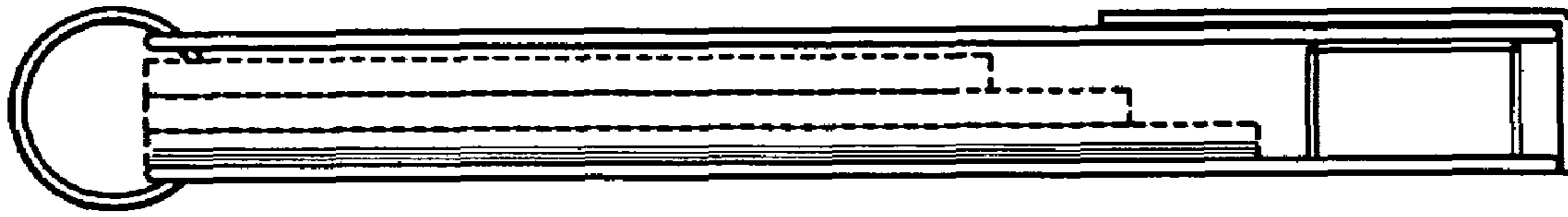


FIG 5

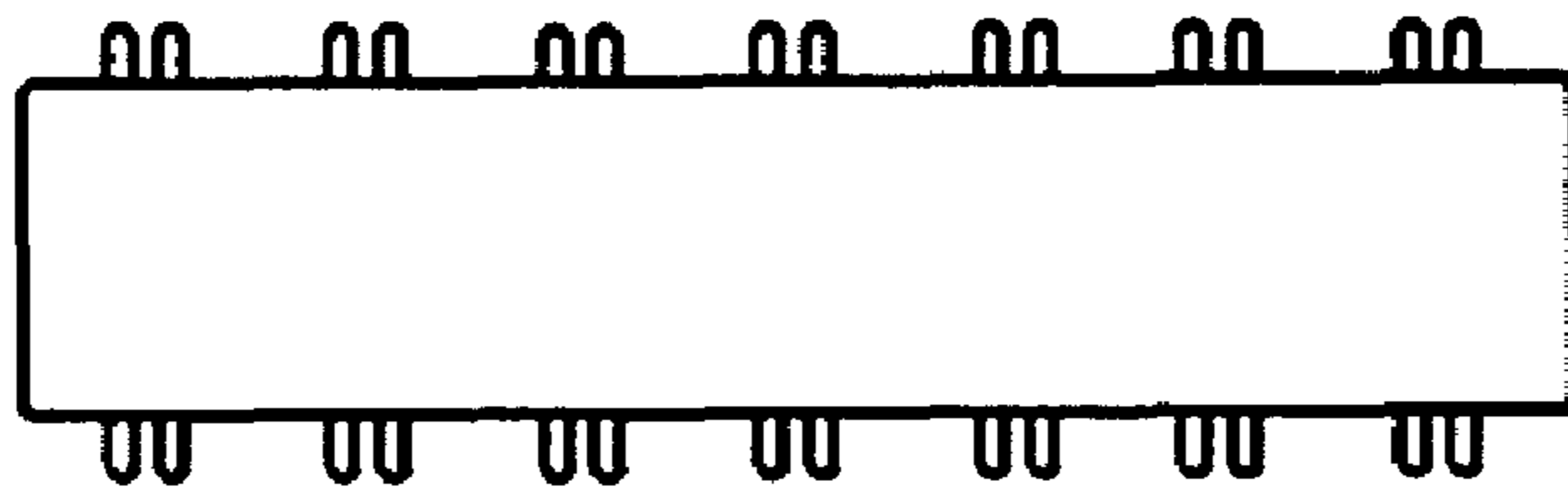


FIG 6

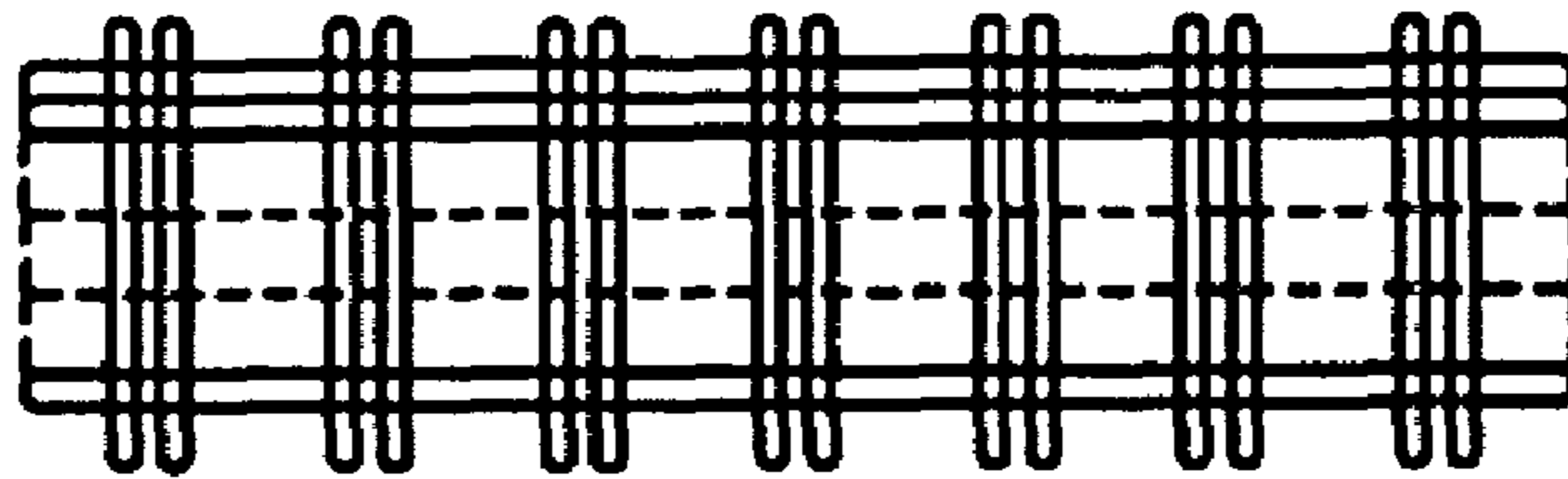


FIG 7