



US00D590015S

(12) **United States Design Patent**
Matsuba et al.

(10) **Patent No.:** **US D590,015 S**
(45) **Date of Patent:** **** Apr. 7, 2009**

(54) **PRINT HEAD FOR AN INK JET PRINTER**

(75) Inventors: **Hiroyuki Matsuba**, Fukuoka (JP);
Hiroaki Nakashima, Fukuoka (JP);
Kazunari Chikanawa, Fukuoka (JP)

(73) Assignee: **Panasonic Corporation**, Osaka (JP)

(**) Term: **14 Years**

(21) Appl. No.: **29/306,738**

(22) Filed: **Apr. 15, 2008**

(30) **Foreign Application Priority Data**

Jan. 9, 2008 (JP) 2008-000181

(51) **LOC (9) Cl.** **18-02**

(52) **U.S. Cl.** **D18/56; 347/86**

(58) **Field of Classification Search** D18/40,
D18/43, 56; 347/86-87

See application file for complete search history.

(56) **References Cited**

U.S. PATENT DOCUMENTS

D313,427 S	1/1991	Saeki
D314,007 S	1/1991	Kimura et al.
D333,675 S	3/1993	Chiovitti
5,205,659 A	4/1993	Gugel et al.
D338,911 S	8/1993	Ujita et al.

5,255,988 A	10/1993	Yamamoto
D345,576 S	3/1994	Yamakawa
D351,856 S	10/1994	Watanabe et al.
D352,058 S	11/1994	Kubota et al.
D354,982 S	1/1995	Akahane et al.
D379,637 S	6/1997	Akahane et al.
D391,604 S	3/1998	Akahane et al.
D402,309 S	12/1998	Arashima et al.
D525,296 S	7/2006	Nakashima et al.
D537,115 S	2/2007	Hirota et al.

Primary Examiner—Cathy Anne MacCormac

(74) *Attorney, Agent, or Firm*—Brinks Hofer Gilson & Lione

(57) **CLAIM**

We claim the ornamental design for a print head for an ink jet printer, as shown and described.

DESCRIPTION

FIG. 1 is a front perspective view of a print head for an ink jet printer of the present invention;

FIG. 2 is a front view thereof;

FIG. 3 is a rear view thereof;

FIG. 4 is a first side view thereof;

FIG. 5 is a second side view thereof;

FIG. 6 is a top view thereof; and,

FIG. 7 is a bottom view thereof.

1 Claim, 6 Drawing Sheets

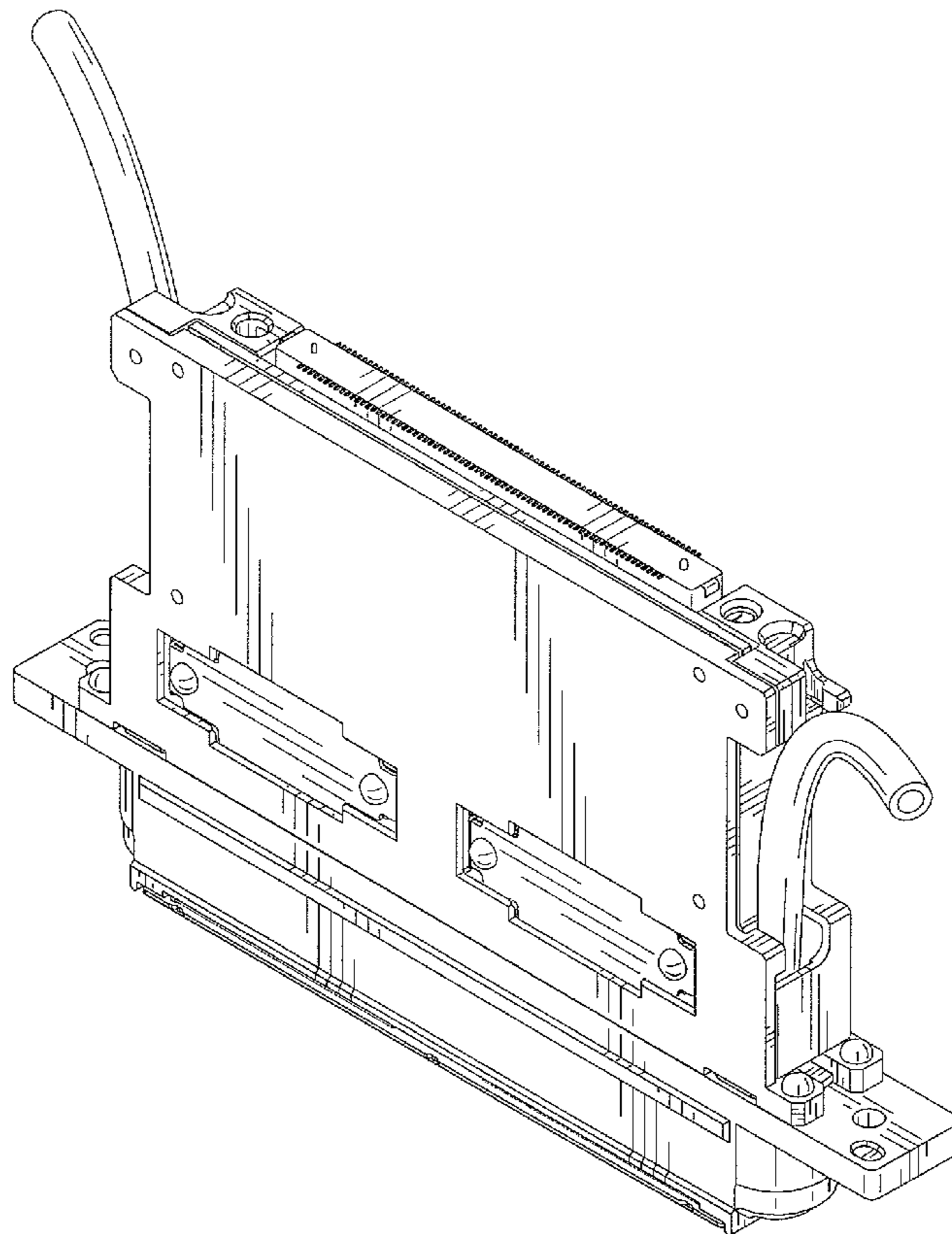


FIG.1

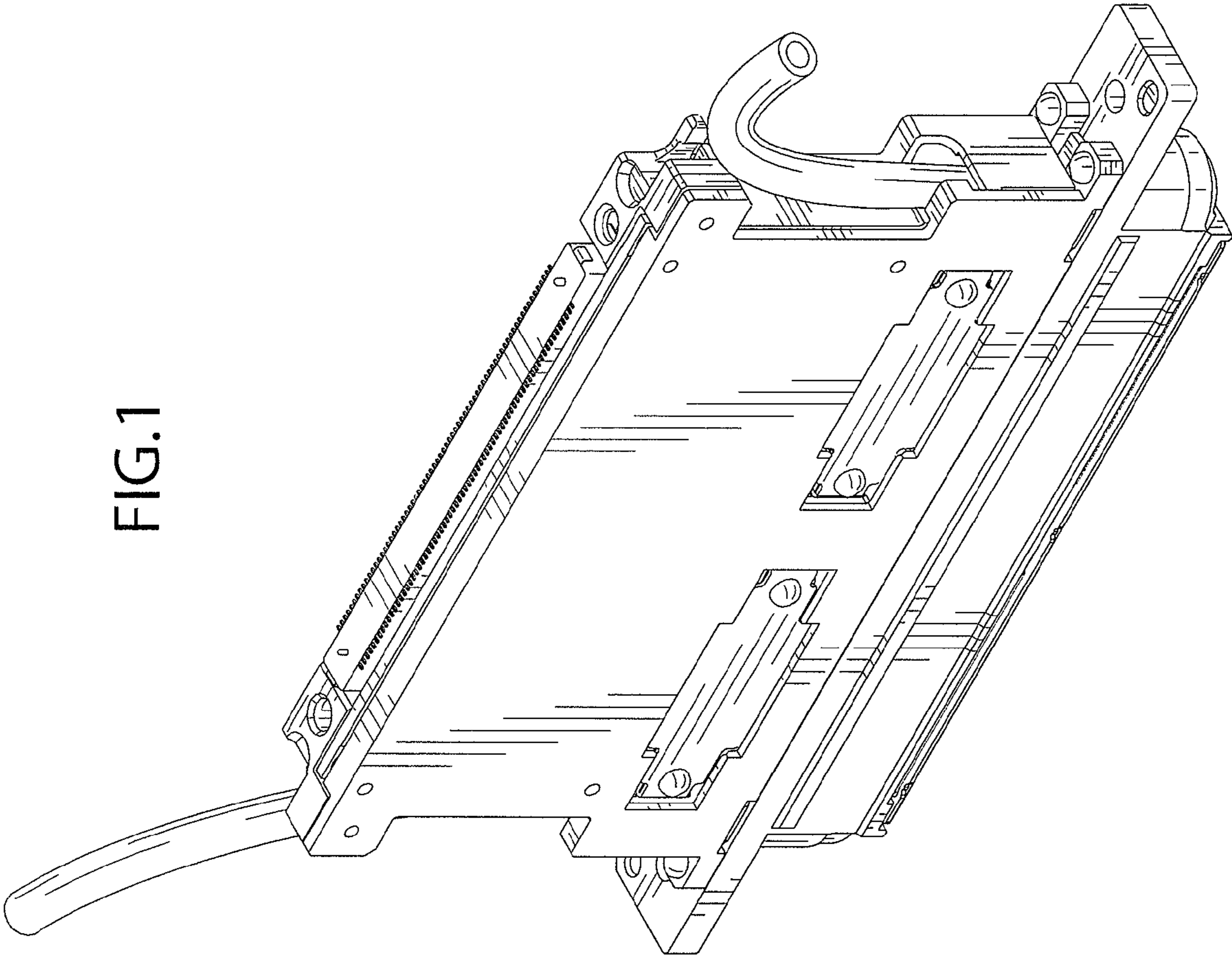
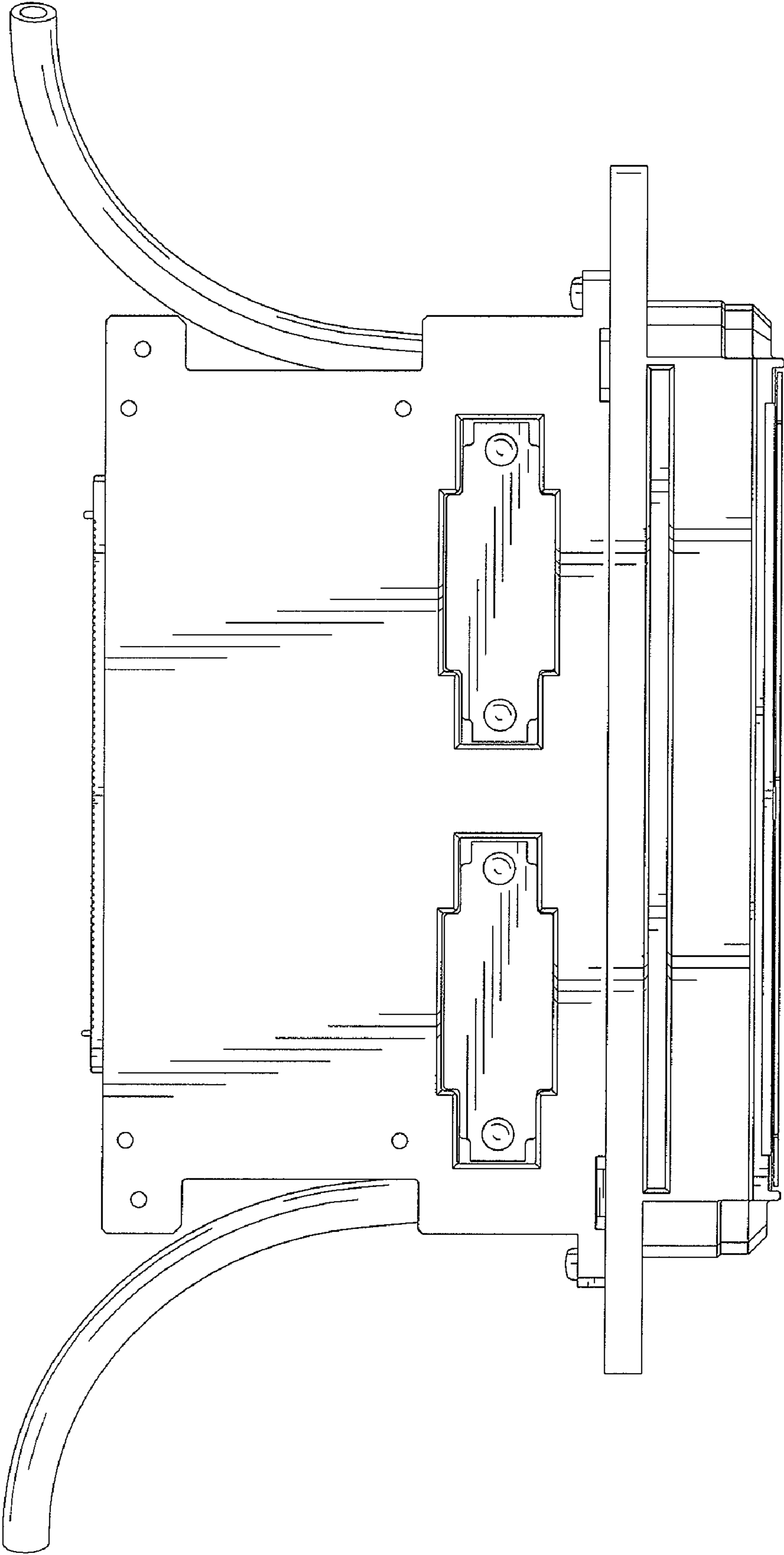


FIG.2



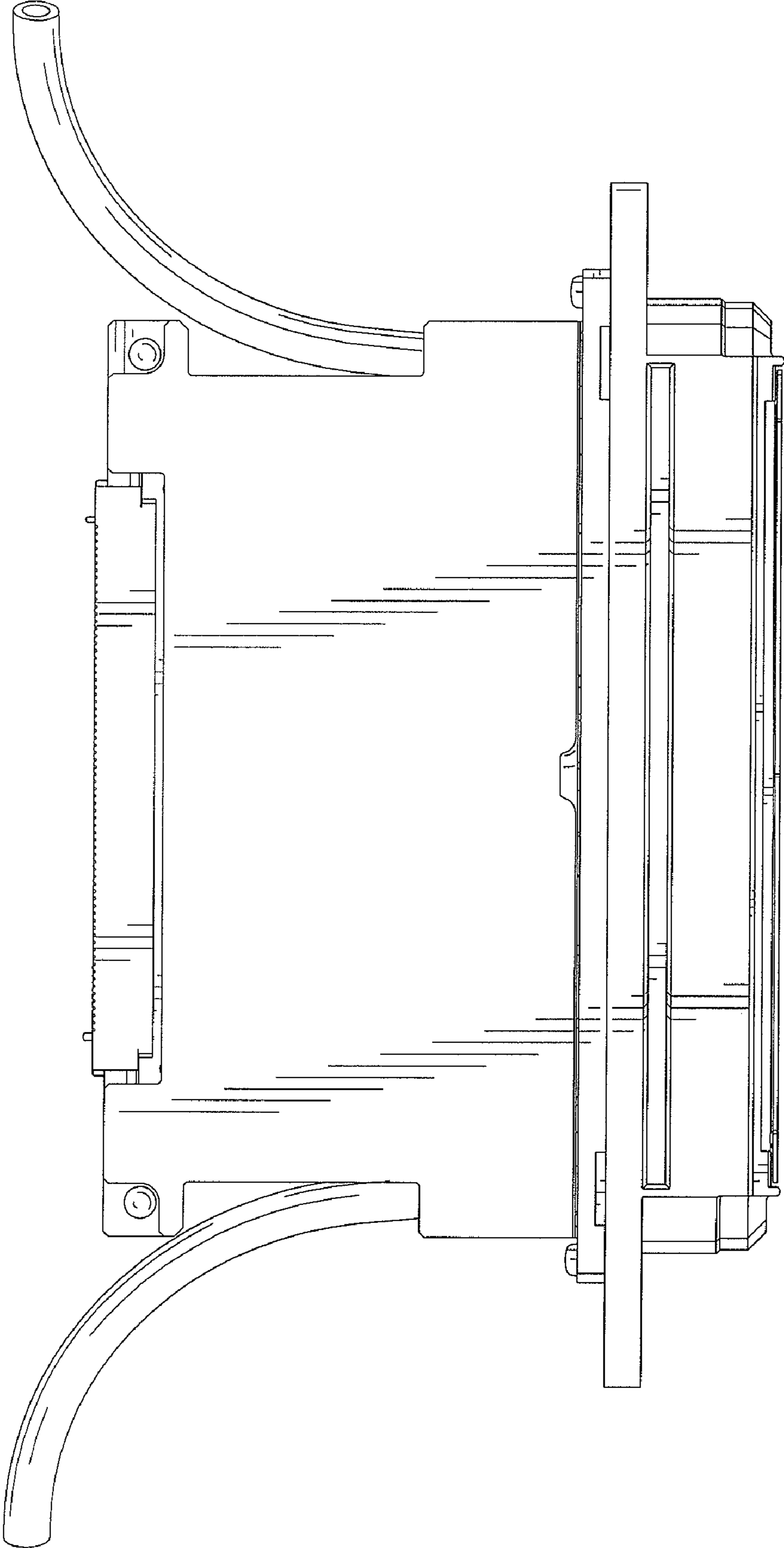


FIG.3

FIG.5

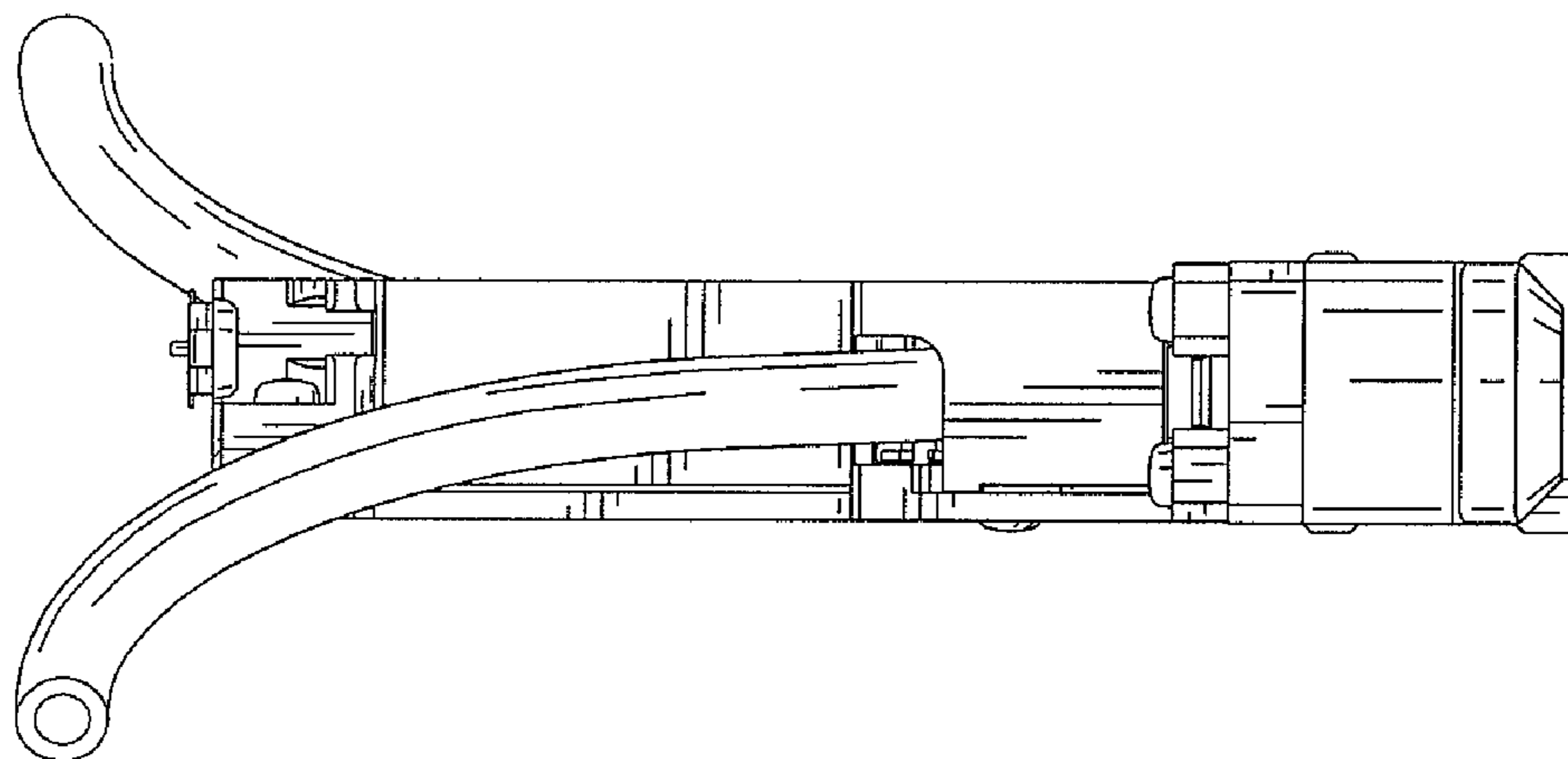


FIG.4

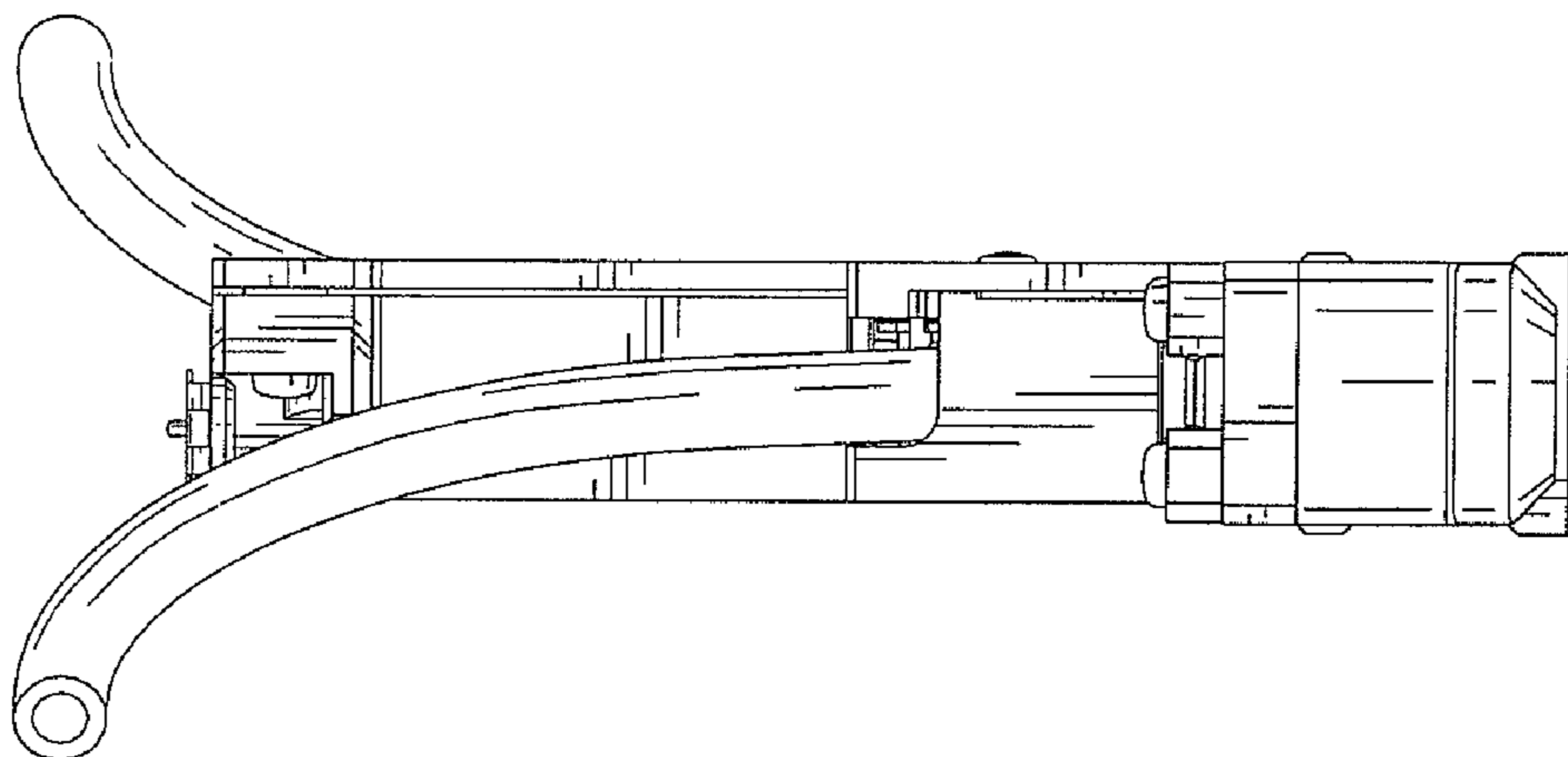


FIG.6

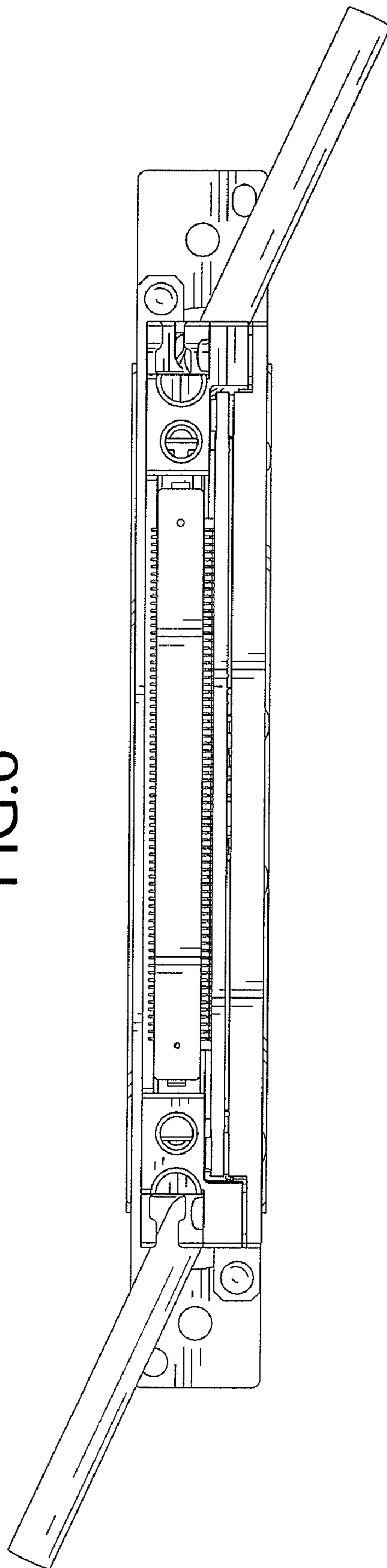


FIG. 7

