



US00D590014S

(12) **United States Design Patent**
Nip

(10) **Patent No.:** **US D590,014 S**

(45) **Date of Patent:** **** Apr. 7, 2009**

(54) **TONER CARTRIDGE FOR COMPUTER PRINTER**

(75) Inventor: **Shui Kuen Nip**, North Point (HK)

(73) Assignee: **Powerful Way Limited**, North Point (HK)

(**) Term: **14 Years**

(21) Appl. No.: **29/282,503**

(22) Filed: **Jul. 23, 2007**

(51) **LOC (9) Cl.** **18-02**

(52) **U.S. Cl.** **D18/56; 347/86**

(58) **Field of Classification Search** D18/12,
D18/43, 56; 347/85-87

See application file for complete search history.

(56) **References Cited**

U.S. PATENT DOCUMENTS

D346,179 S *	4/1994	Haida	D18/56
D359,755 S *	6/1995	Tokuda et al.	D18/56
D391,289 S *	2/1998	Inoue et al.	D18/56
D418,156 S *	12/1999	Maeda	D18/43
D425,110 S *	5/2000	Dietl et al.	D18/56
D431,259 S *	9/2000	Muranaka	D18/43
D446,545 S *	8/2001	Tanaka	D18/56

D478,344 S *	8/2003	Kinoshita et al.	D18/43
D478,345 S *	8/2003	Kinoshita et al.	D18/43
2002/0154200 A1 *	10/2002	Miyazawa et al.	347/86
2008/0094429 A1 *	4/2008	Miyazawa et al.	347/86
2008/0192097 A1 *	8/2008	Miyazawa et al.	347/86

* cited by examiner

Primary Examiner—Cathy Anne MacCormac

(74) *Attorney, Agent, or Firm*—Rabin & Berdo, P.C.

(57) **CLAIM**

The ornamental design for a toner cartridge for computer printer, as shown and described.

DESCRIPTION

FIG. 1 is a front view of a toner cartridge for computer printer showing my new design;

FIG. 2 a rear view thereof;

FIG. 3 is a left side view thereof;

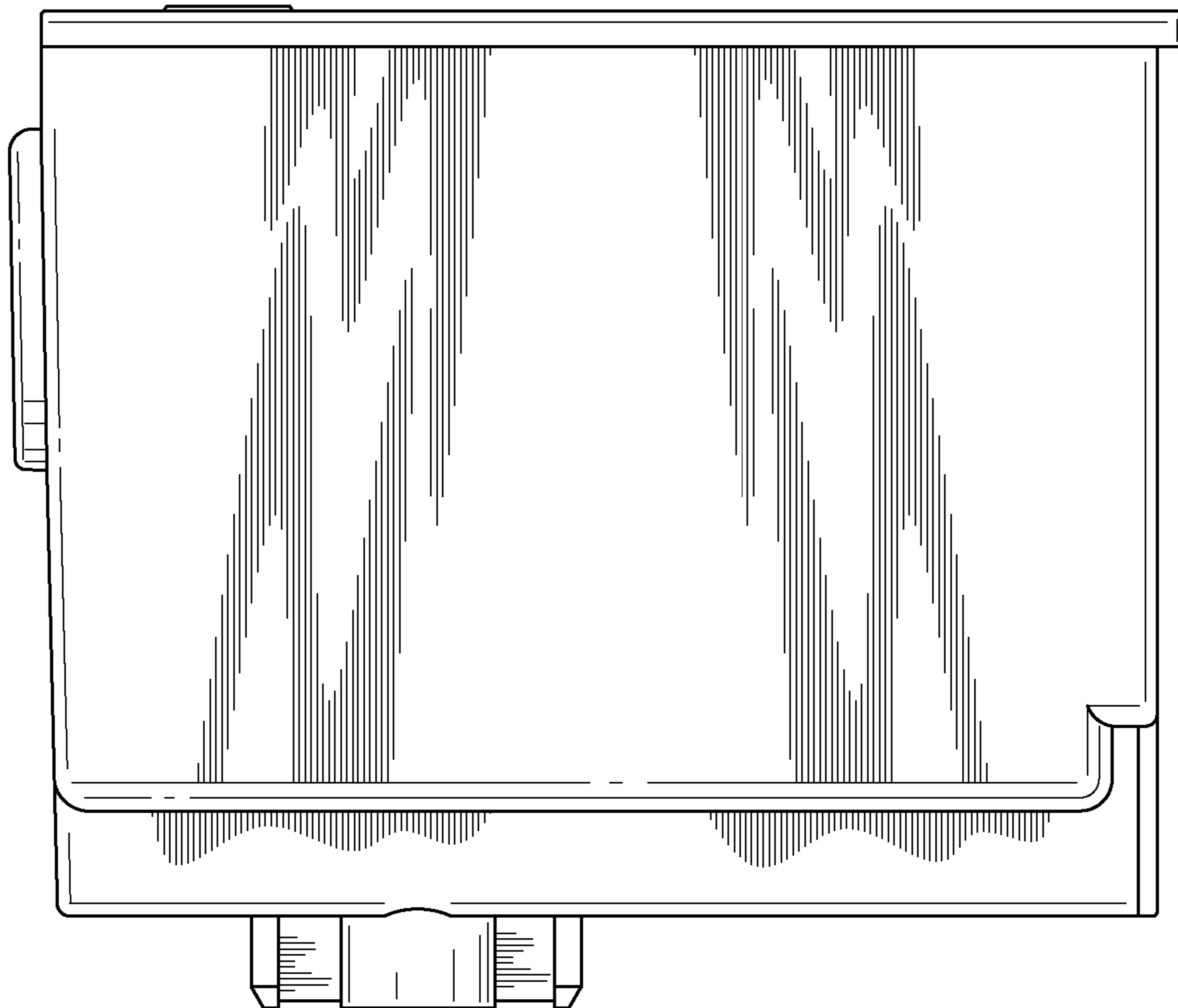
FIG. 4 is a right side view thereof;

FIG. 5 is a top view thereof;

FIG. 6 is a bottom view thereof; and,

FIG. 7 is a perspective view thereof.

1 Claim, 5 Drawing Sheets



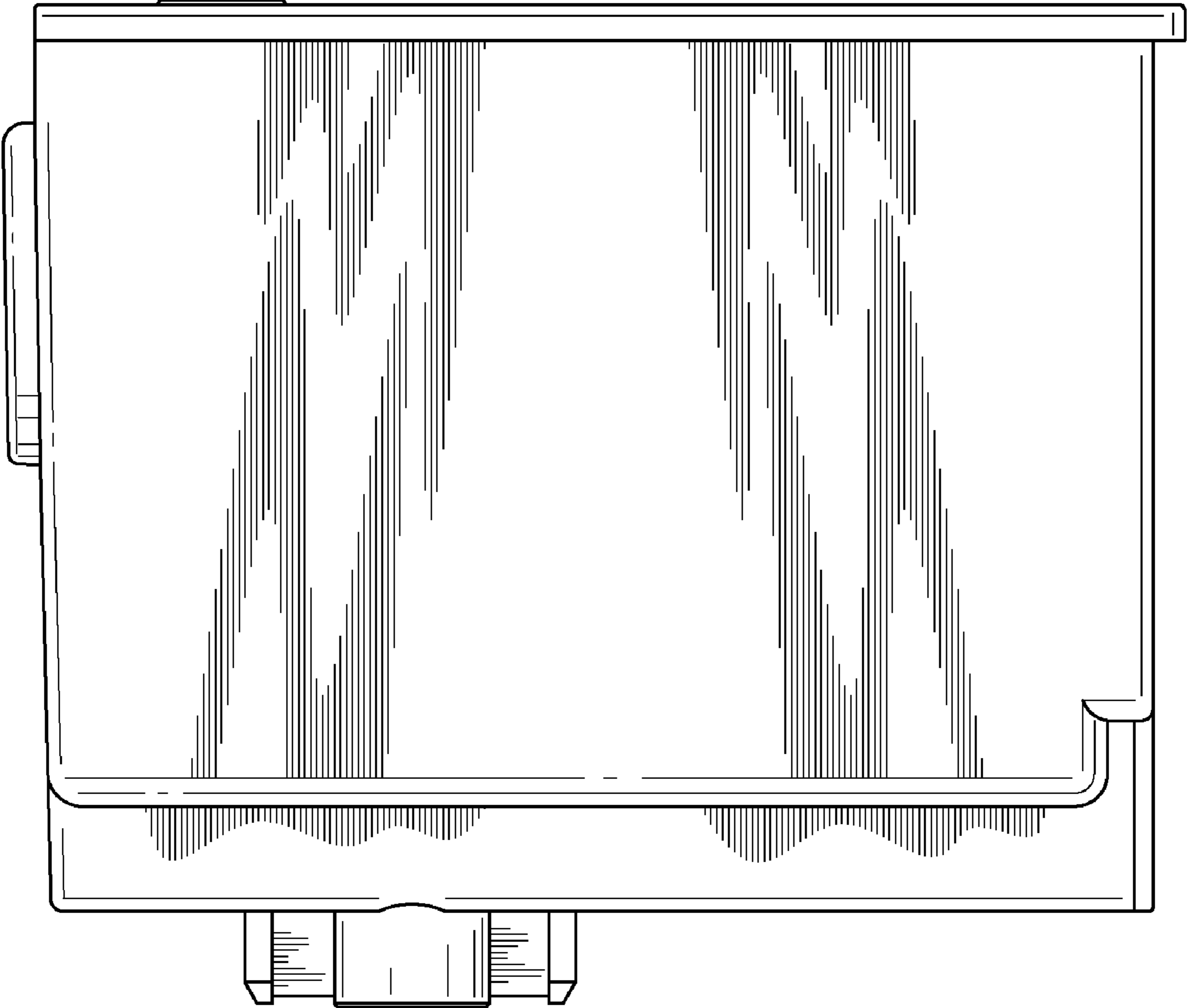


FIG. 1

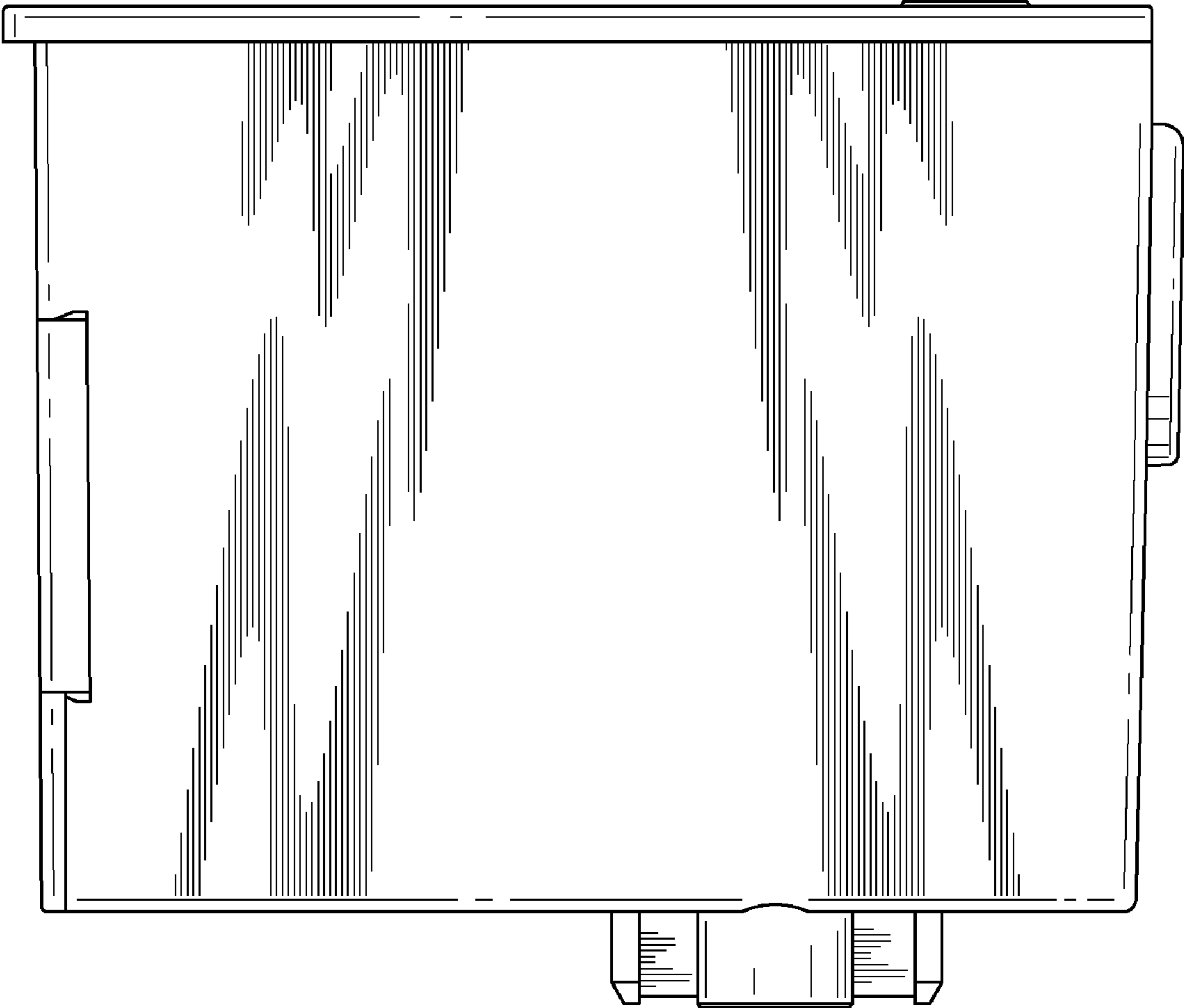


FIG. 2

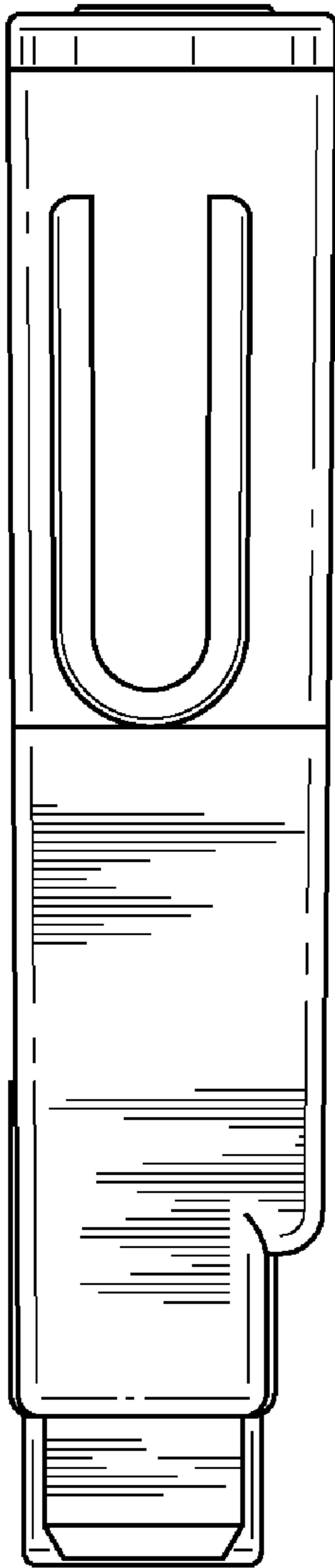


FIG. 3

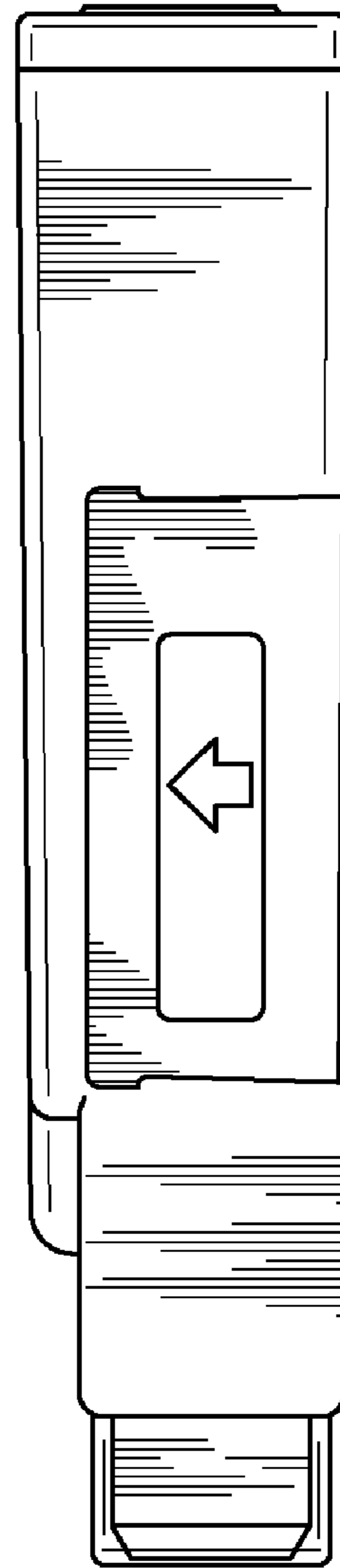


FIG. 4

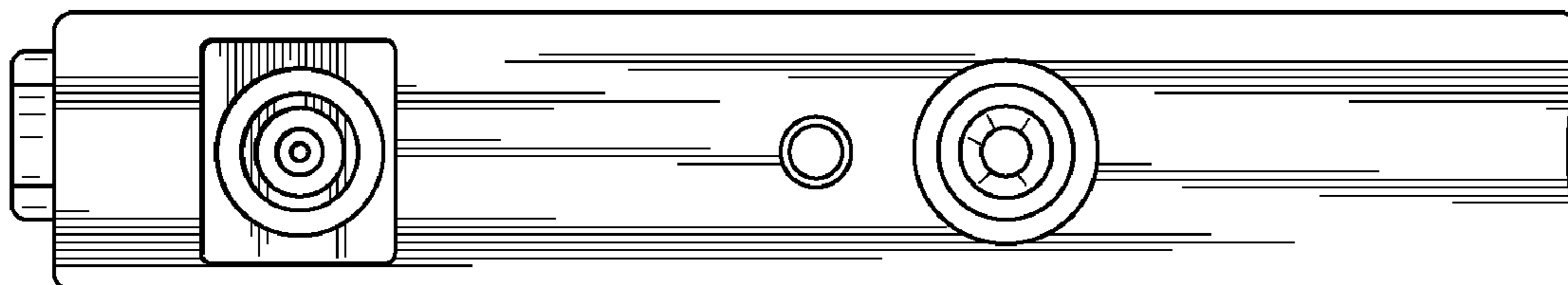


FIG. 5

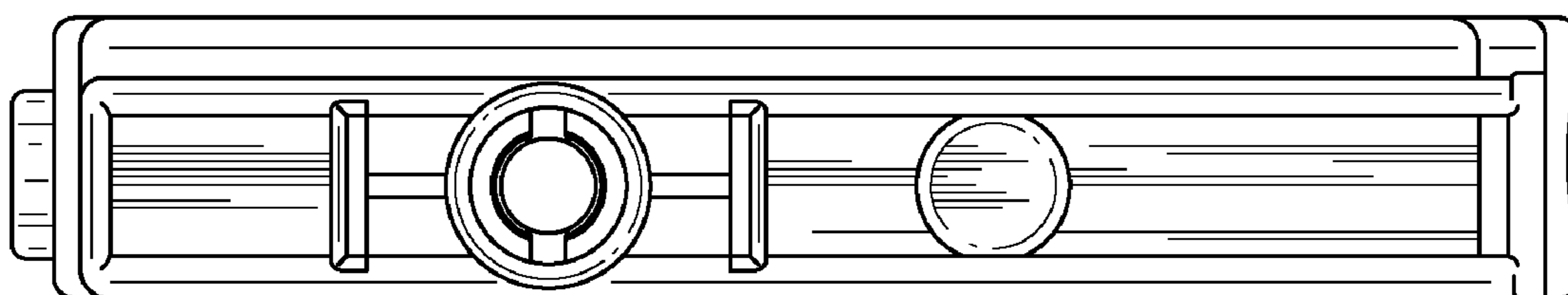


FIG. 6

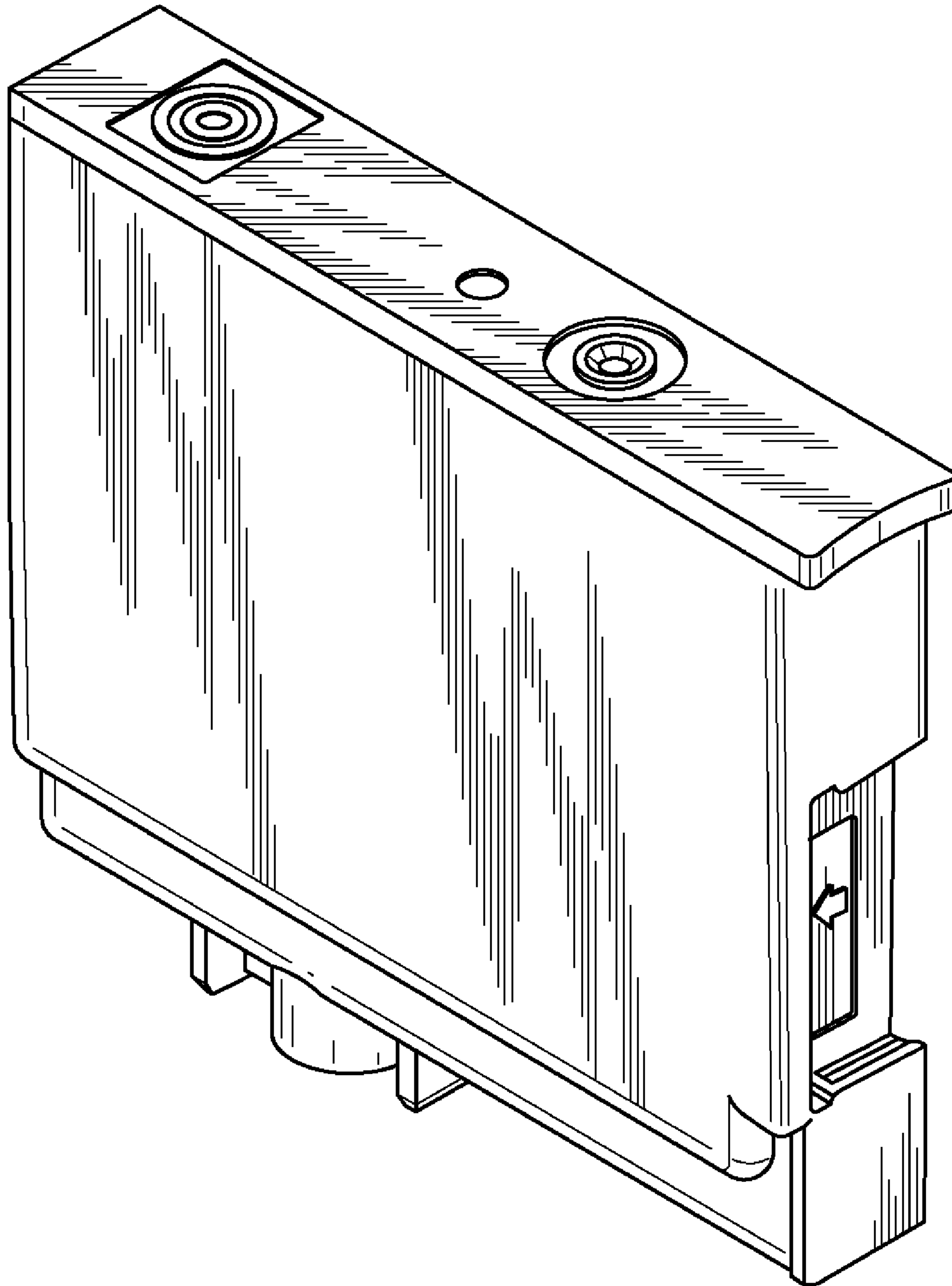


FIG. 7