



US00D590003S

(12) **United States Design Patent**  
**Knecht et al.**

(10) **Patent No.:** **US D590,003 S**  
(45) **Date of Patent:** **\*\* Apr. 7, 2009**

(54) **GOGGLE COVER**

(75) Inventors: **Stephen M. Knecht**, Miami, FL (US);  
**Patrick Mak**, Kowloon Bay (HK); **Scott Chan**, Kowloon Bay (HK); **Leo Cheung**, Kowloon Bay (HK)

(73) Assignee: **Fall Prevention Technologies, Inc.**, Miami, FL (US)

(\*\*) Term: **14 Years**

(21) Appl. No.: **29/257,779**

(22) Filed: **Apr. 11, 2006**

(51) **LOC (9) Cl.** ..... **16-06**

(52) **U.S. Cl.** ..... **D16/311**

(58) **Field of Classification Search** ..... D16/101,  
D16/300, 301, 302, 303, 304, 305, 306, 307,  
D16/308, 309, 310, 311, 312, 245, 250, 360,  
D16/330, 239, 136, 134, 235, 900, 342, 336;  
219/522; 2/424, 426, 430, 432, 436, 447;  
351/41, 44, 158; D24/110.2; D29/109, 110  
See application file for complete search history.

(56) **References Cited**

U.S. PATENT DOCUMENTS

D176,871	S	*	2/1956	Mantel	.....	D16/312
D194,221	S	*	12/1962	Zbikowski	.....	D16/312
D224,483	S	*	8/1972	Crastin-Billet	.....	D16/312
D242,666	S	*	12/1976	Smith	.....	D16/312
4,405,212	A		9/1983	Cooper		
D322,797	S	*	12/1991	Kuypers et al.	.....	D16/311
D346,613	S	*	5/1994	Simm et al.	.....	D16/312
5,471,036	A	*	11/1995	Sperbeck	.....	219/522
5,481,622	A		1/1996	Gerhardt		
5,555,895	A		9/1996	Ulmer		
6,003,991	A		12/1999	Viirre		
6,049,917	A	*	4/2000	Ryden	.....	2/436
6,105,177	A		8/2000	Paulson		
6,108,634	A		8/2000	Podnar		
D439,596	S	*	3/2001	Bolle	.....	D16/312
6,210,000	B1		4/2001	Yee		
6,637,883	B1		10/2003	Tengshe et al.		

6,997,556	B2		2/2006	Pfleger		
7,039,959	B2	*	5/2006	Dondero	.....	2/436
D537,099	S	*	2/2007	Saderholm et al.	.....	D16/312
D538,834	S	*	3/2007	Mangum	.....	D16/312
2002/0024633	A1		2/2002	Kim		
2003/0033661	A1		2/2003	Huh		
2007/0033716	A1	*	2/2007	Dondero	.....	2/426

FOREIGN PATENT DOCUMENTS

WO	WO97/41815	11/1997
WO	WO2006/110766	10/2006

\* cited by examiner

*Primary Examiner*—T. Chase Nelson

*Assistant Examiner*—Barbara B Lohr

(74) *Attorney, Agent, or Firm*—Withers & Keys, LLC

(57) **CLAIM**

The ornamental design for a goggle cover, as shown and described.

**DESCRIPTION**

FIG. 1 is a right front perspective view of a goggle cover including an upper goggle cover and a lower goggle cover;

FIG. 2 is another right front perspective view thereof;

FIG. 3 is a left rear perspective view thereof;

FIG. 4 is a rear view thereof;

FIG. 5 is a front view thereof;

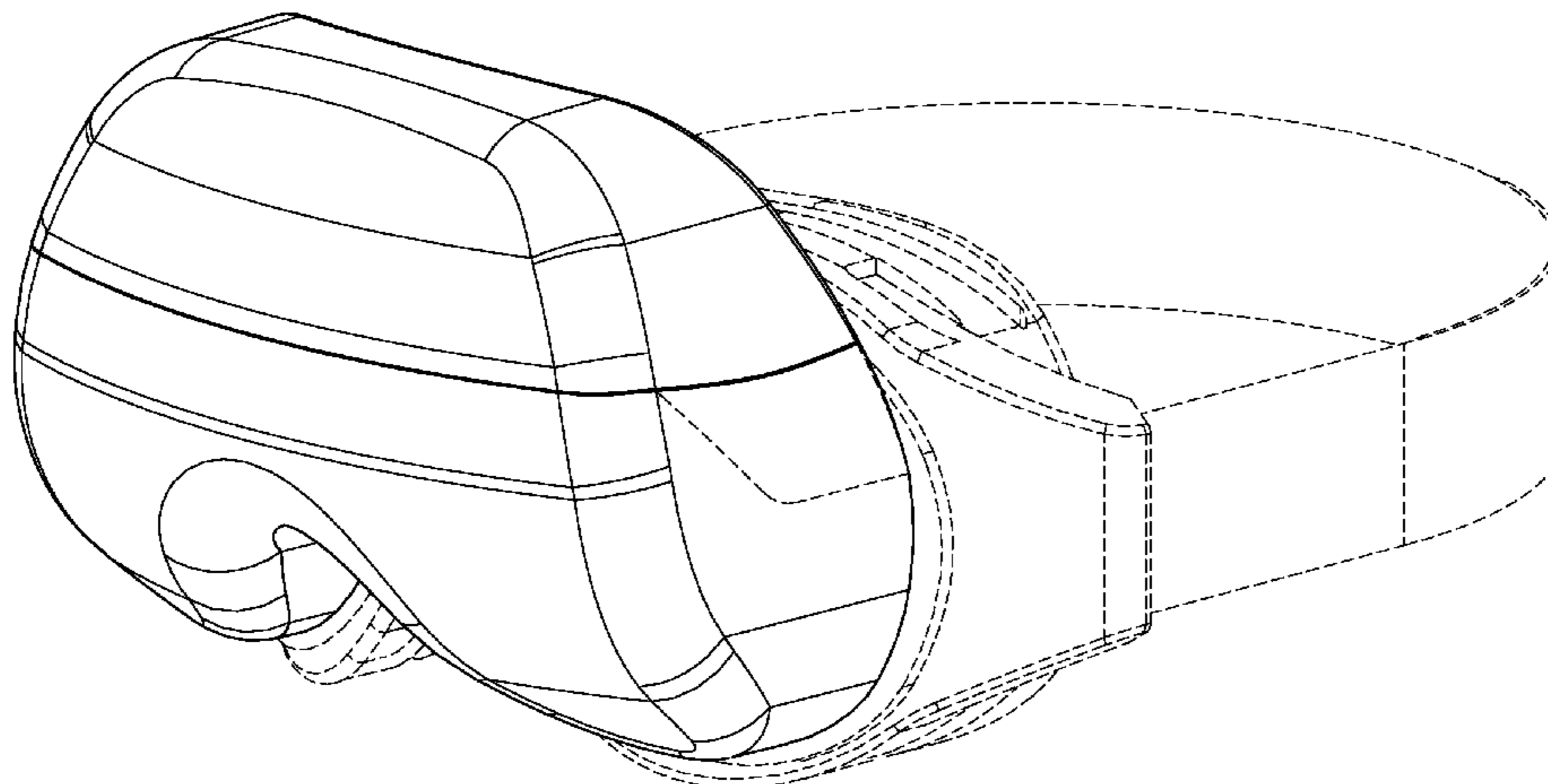
FIG. 6 is a top view;

FIG. 7 is a bottom view; and,

FIG. 8 is a right side view, thereof, the opposite side being a mirror image of the side shown in FIG. 8.

The broken line showing of environmental structure in FIG. 1 is for purposes of illustrating the design in condition of use. The broken lines shown within the solid lines defining the claimed design depict unclaimed portions of the design. The broken lines and the structure they depict form no part of the claimed design.

**1 Claim, 8 Drawing Sheets**



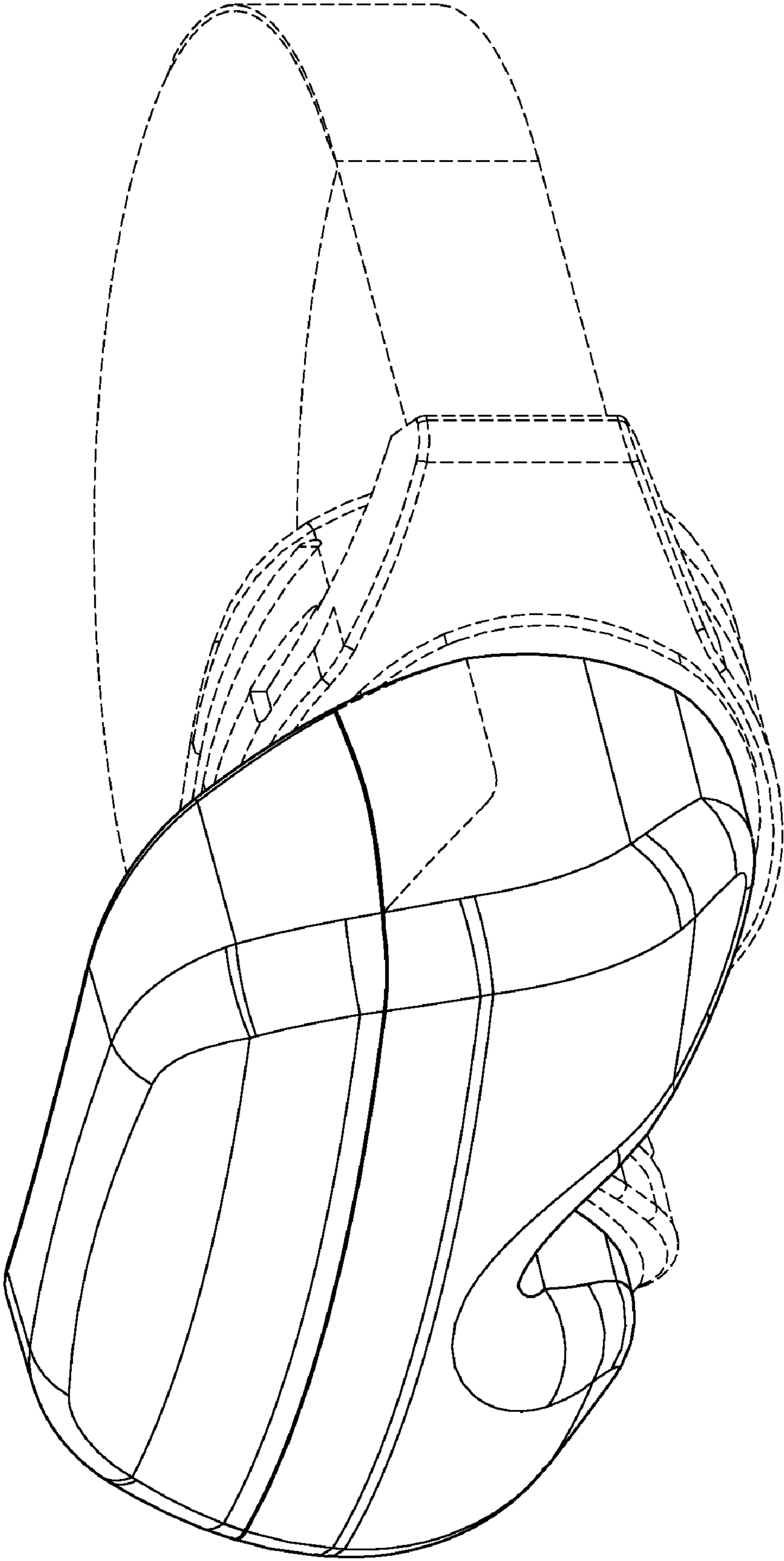


FIG. 1

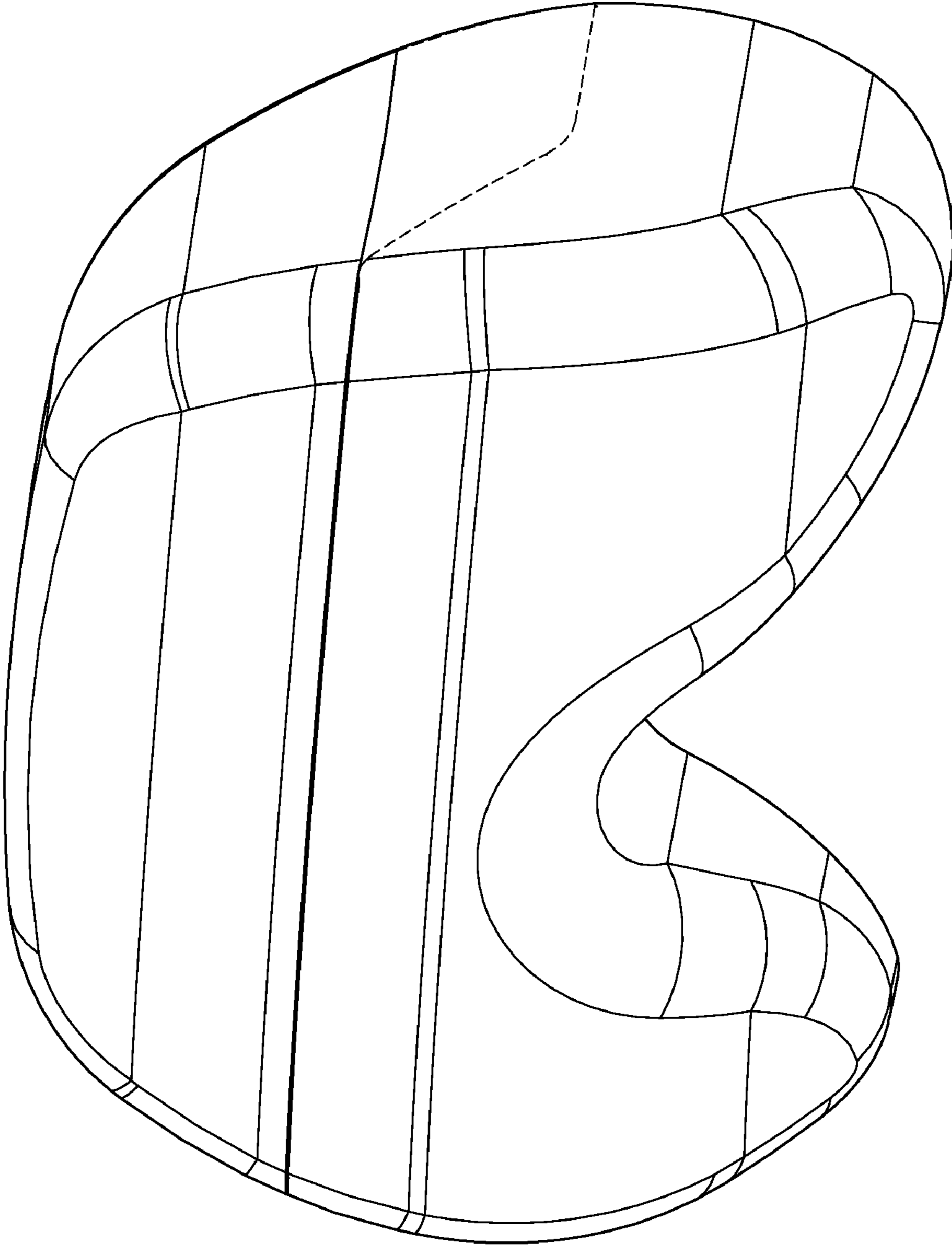


FIG. 2

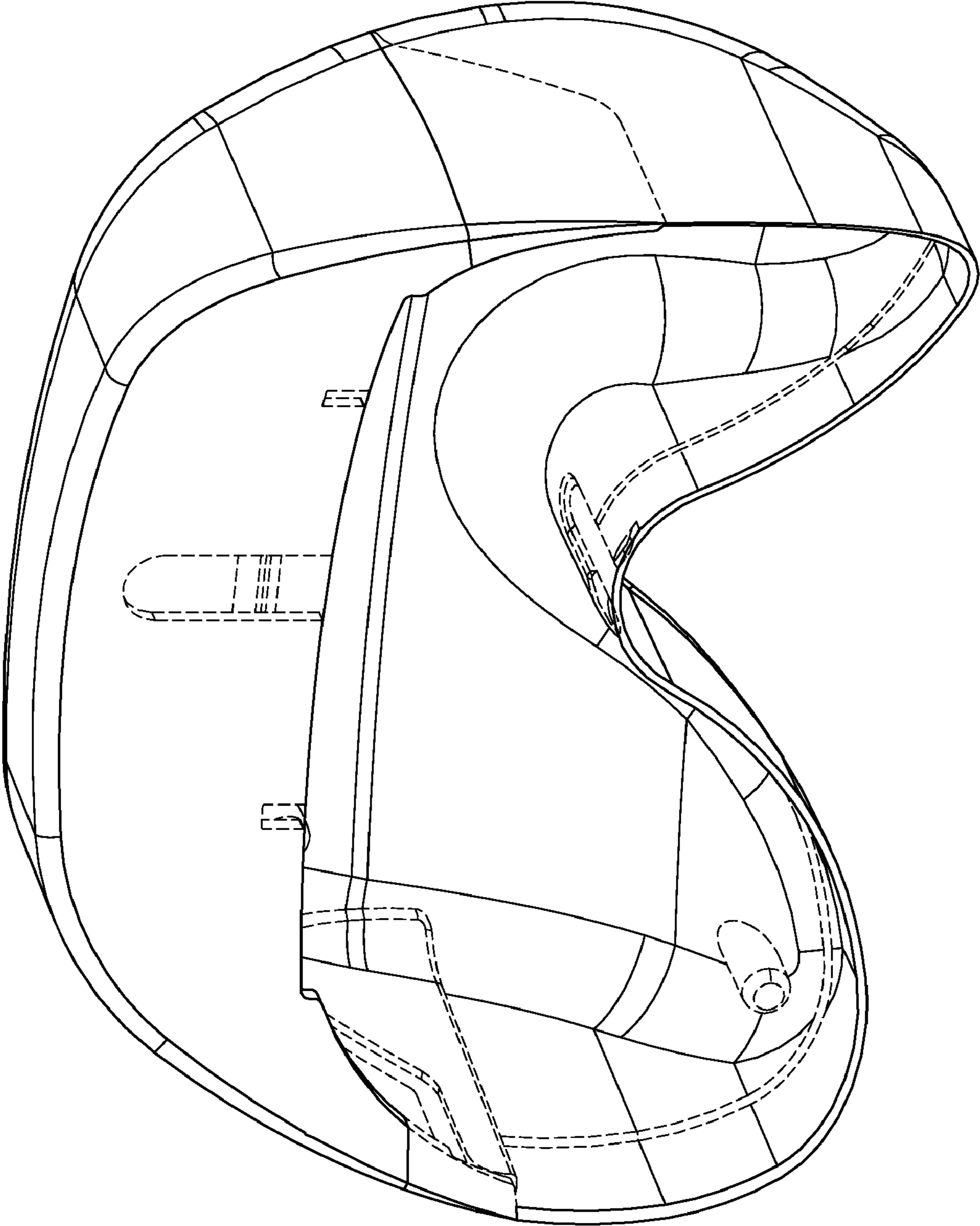


FIG. 3



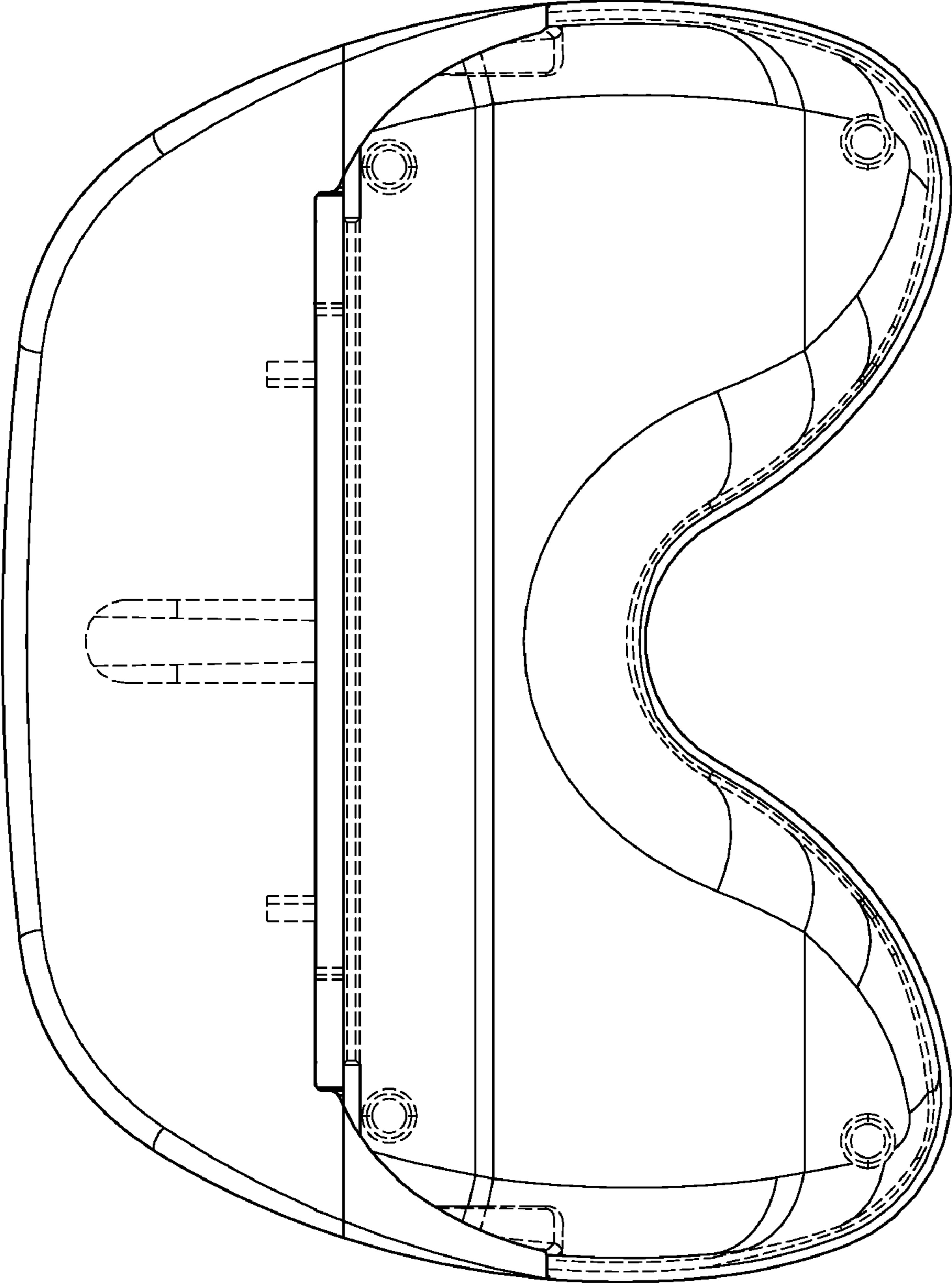


FIG. 4

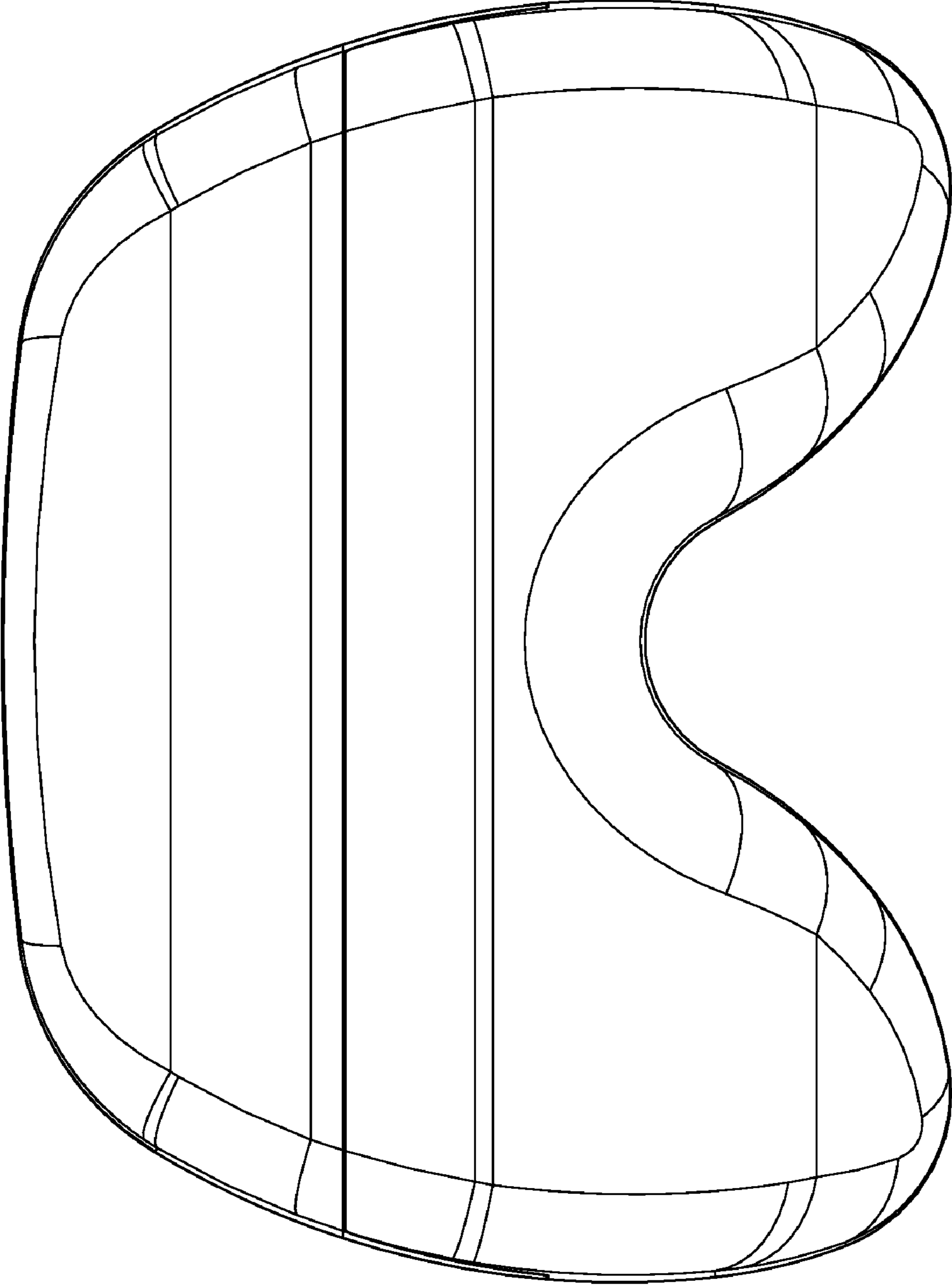


FIG. 5

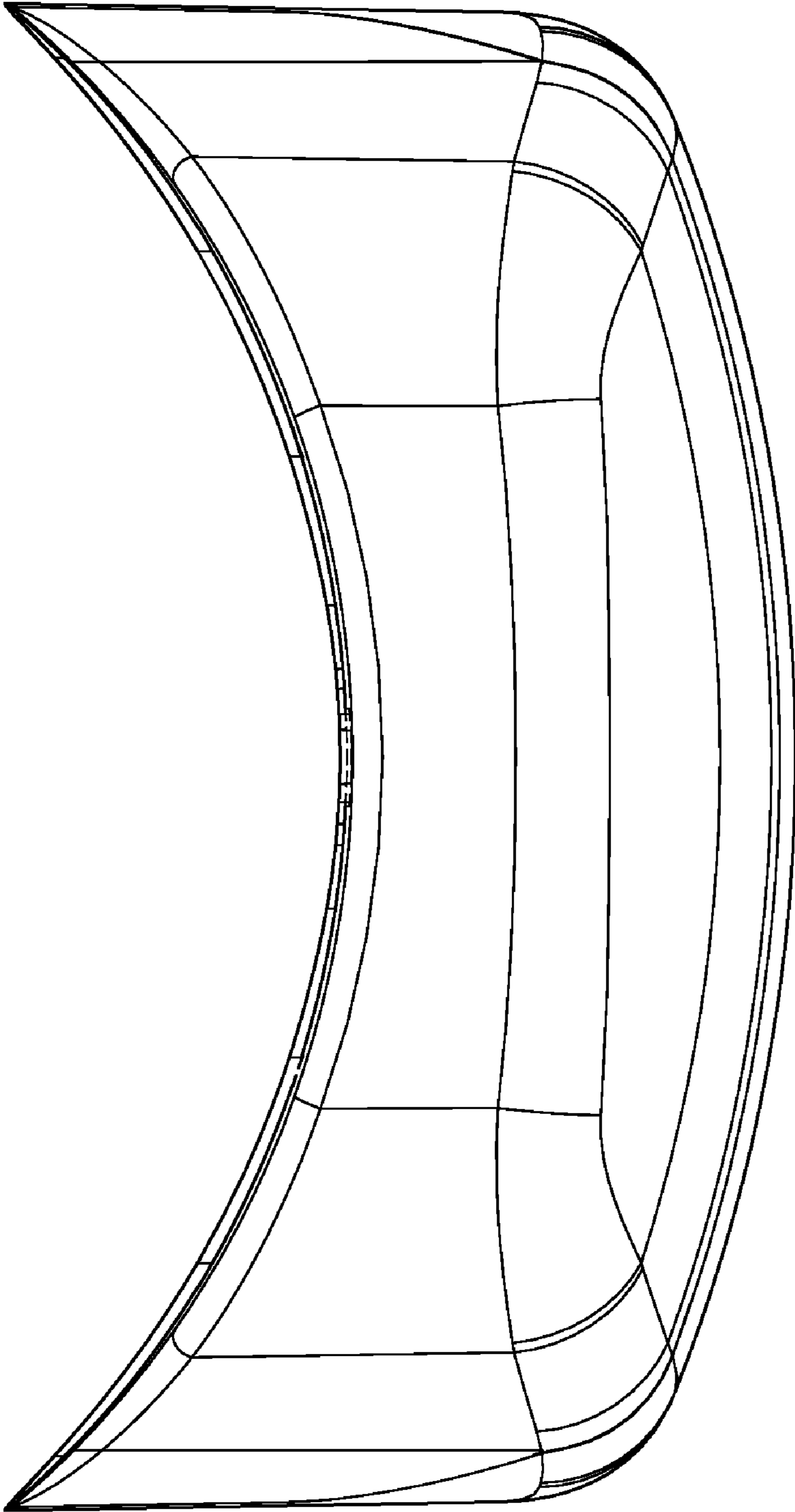


FIG. 6

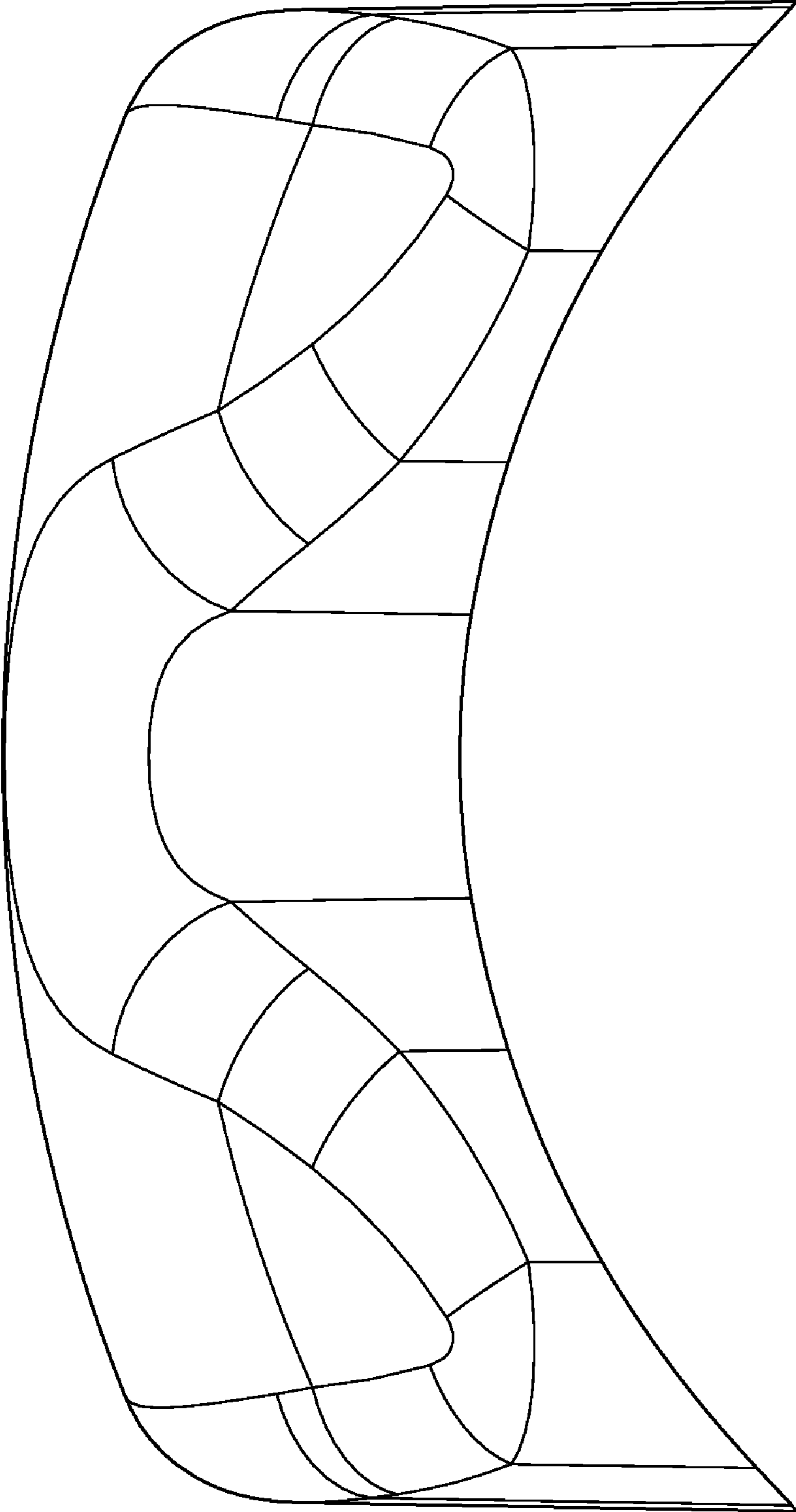


FIG. 7



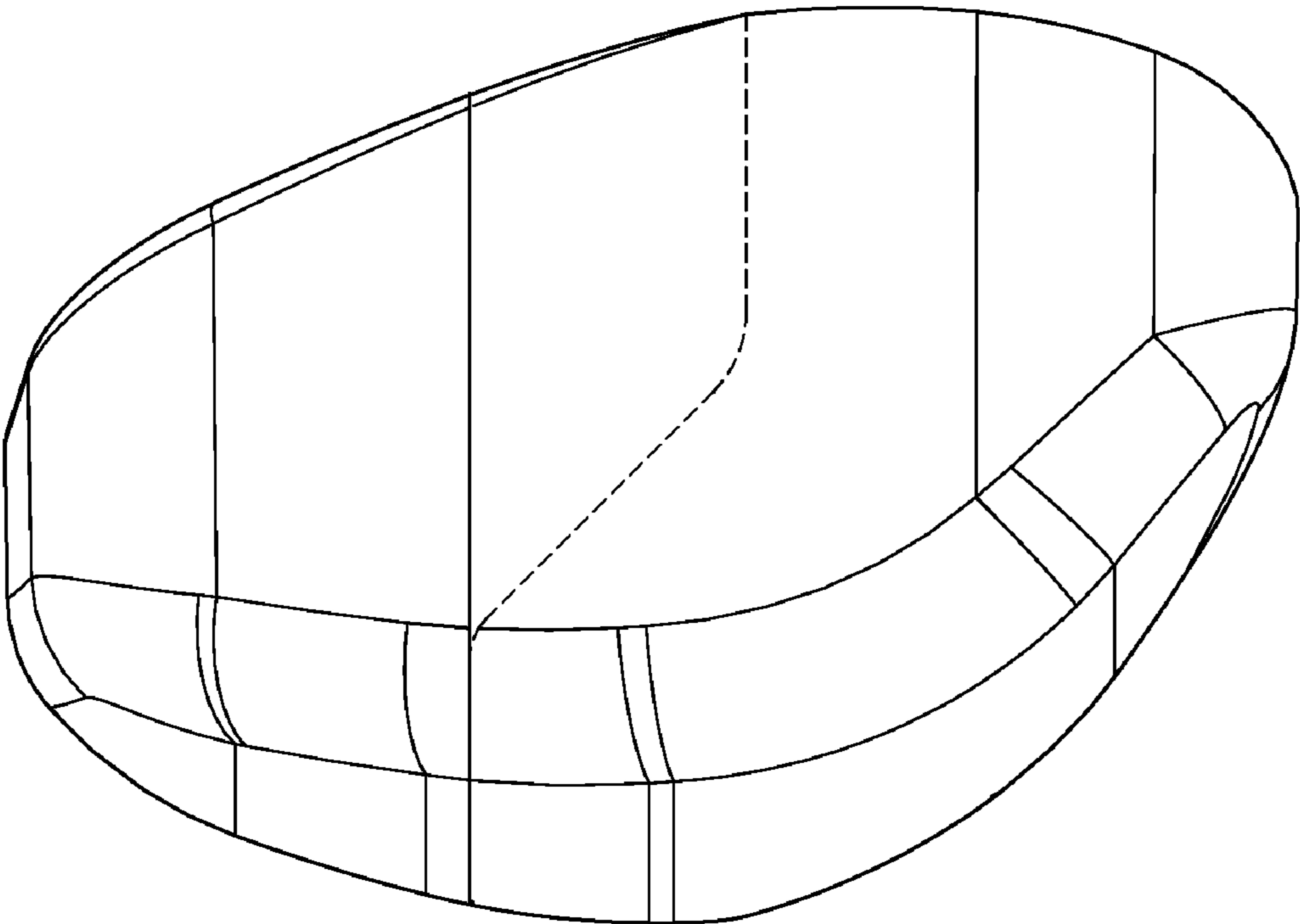


FIG. 8