

US00D590000S

(12) **United States Design Patent**  
**Kellar**

(10) **Patent No.:** **US D590,000 S**  
(45) **Date of Patent:** **\*\* Apr. 7, 2009**

(54) **CAMERA STAND**

(75) Inventor: **Kevin P. Kellar**, Austin, TX (US)

(73) Assignee: **LifeSize Communications, Inc.**, Austin, TX (US)

(\*\*) Term: **14 Years**

(21) Appl. No.: **29/303,335**

(22) Filed: **Feb. 7, 2008**

(51) **LOC (9) Cl.** ..... **16-05**

(52) **U.S. Cl.** ..... **D16/242; D16/219**

(58) **Field of Classification Search** ..... **D16/200–205, D16/208, 218, 219, 242; 248/121, 126, 278.1; 348/143, 373–376; 358/906; 396/419, 427, 396/428, 535**

See application file for complete search history.

(56) **References Cited**

**U.S. PATENT DOCUMENTS**

4,264,928	A	4/1981	Schober	
5,322,255	A	6/1994	Garrett	
5,374,971	A	12/1994	Clapp et al.	
5,486,853	A	1/1996	Baxter et al.	
5,515,099	A	5/1996	Cortjens et al.	
5,528,289	A	6/1996	Cortjens et al.	
5,537,157	A	7/1996	Washino et al.	
5,598,209	A	1/1997	Cortjens et al.	
5,612,733	A	3/1997	Flohr	
5,617,539	A	4/1997	Ludwig et al.	
5,631,699	A *	5/1997	Saito	348/143
5,633,681	A	5/1997	Baxter et al.	
5,689,641	A	11/1997	Ludwig et al.	
5,692,159	A	11/1997	Shand	
5,751,338	A	5/1998	Ludwig, Jr.	
5,821,987	A	10/1998	Larson	
5,855,343	A	1/1999	Krekelberg	
5,900,907	A	5/1999	Malloy	
6,072,522	A	6/2000	Ippolito et al.	
6,239,841	B1	5/2001	Verstockt et al.	
6,356,308	B1	3/2002	Hovanky	
6,431,507	B2	8/2002	Prather et al.	
6,437,826	B1	8/2002	Arnold	

6,481,681	B1	11/2002	Stunkel et al.	
D476,345	S	6/2003	Phelps et al.	
6,594,688	B2	7/2003	Ludwig et al.	
6,643,462	B2	11/2003	Harand et al.	
6,663,066	B1	12/2003	Hong	
6,669,380	B1 *	12/2003	Cartoni	396/428
D485,234	S *	1/2004	Katayama	D16/242
6,679,463	B1	1/2004	Chen	
D487,475	S	3/2004	Uehara	

(Continued)

**OTHER PUBLICATIONS**

“A history of video conferencing (VC) technology” <http://web.archive.org/web/20030622161425/http://myhome.hanafos.com/~soonjp/vchx.html> (web archive dated Jun. 22, 2003); 5 pages.

(Continued)

*Primary Examiner*—Adir Aronovich  
(74) *Attorney, Agent, or Firm*—Meyertons Hood Kivlin Kowert & Goetzel, P.C.; Jeffrey C. Hood

(57) **CLAIM**

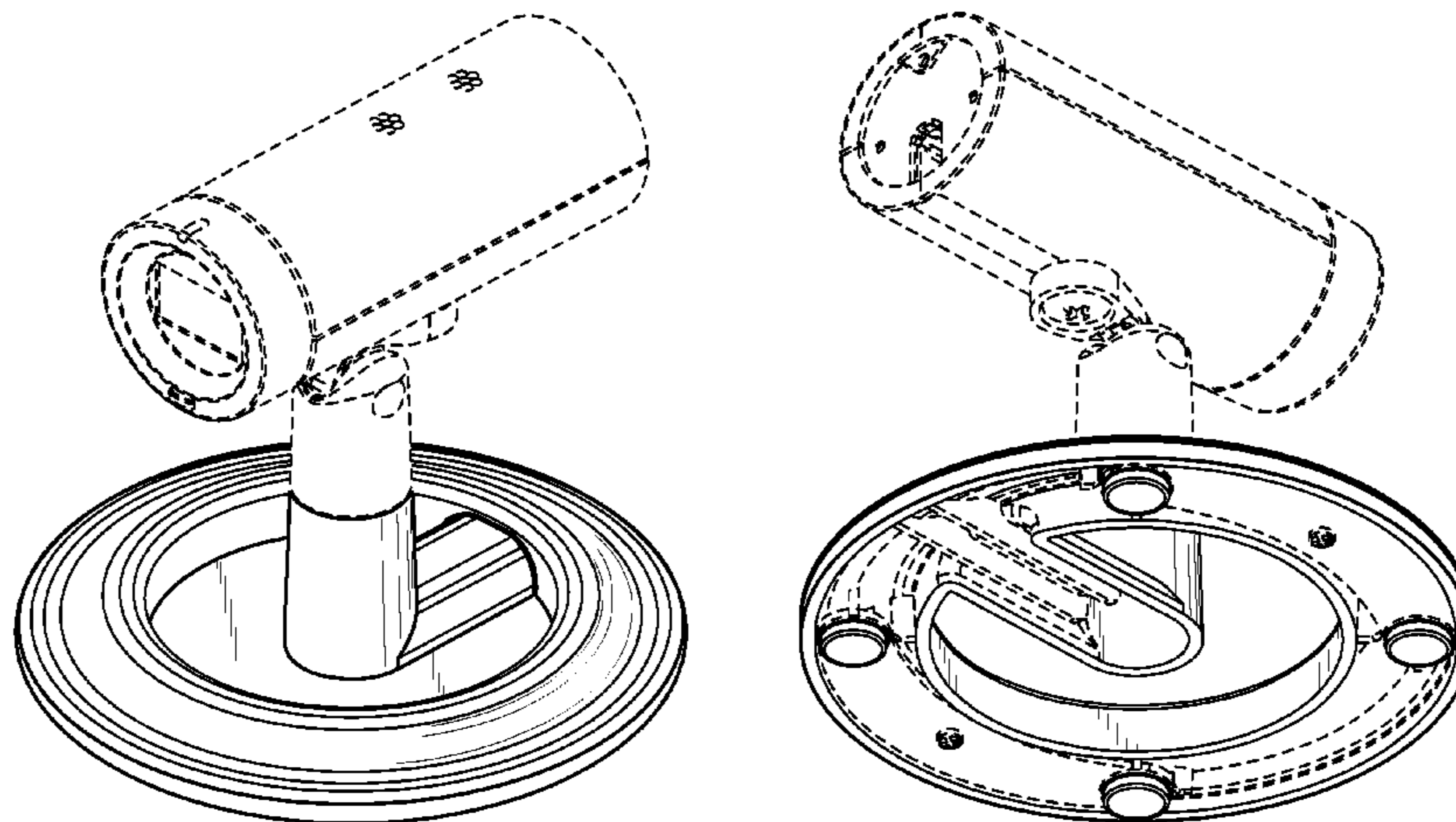
The ornamental design for a camera stand, as shown and described.

**DESCRIPTION**

FIG. 1 is a top, front and right side perspective view of a camera stand showing my new design;  
FIG. 2 is a bottom rear and left side perspective view thereof;  
FIG. 3 is a rear elevational view thereof;  
FIG. 4 is a front elevational view thereof;  
FIG. 5 is a left side elevational view thereof;  
FIG. 6 is a right side elevational view thereof;  
FIG. 7 is a bottom plan view thereof; and,  
FIG. 8 is a top plan view thereof.

The portions of the camera stand in broken lines are shown for illustrative purposes only and form no part of the claimed design.

**1 Claim, 5 Drawing Sheets**



# US D590,000 S

Page 2

## U.S. PATENT DOCUMENTS

6,724,619 B2 4/2004 Kwong et al.  
6,731,334 B1 5/2004 Maeng et al.  
6,731,340 B1 5/2004 Lai  
6,738,094 B1 5/2004 Minami et al.  
6,809,358 B2 10/2004 Hsieh et al.  
6,816,904 B1 11/2004 Ludwig et al.  
D500,511 S 1/2005 Sybilrud  
6,845,954 B1 1/2005 Moayer et al.  
6,850,265 B1 2/2005 Strubbe et al.  
D509,842 S 9/2005 Ou  
6,947,093 B2 9/2005 Yanakawa et al.  
D510,589 S 10/2005 Andre et al.  
6,970,202 B1 11/2005 Glogan et al.  
6,980,485 B2 12/2005 McCaskill  
7,038,709 B1 5/2006 Vergheze  
7,046,295 B2 5/2006 Hovanky  
7,048,454 B2 5/2006 Sitoh et al.  
7,066,664 B1 6/2006 Sitoh et al.  
D529,533 S \* 10/2006 Oh et al. .... D16/242  
D536,719 S 2/2007 Lukic et al.  
7,202,903 B2 4/2007 Lin et al.  
7,202,904 B2 4/2007 Wei  
7,219,866 B2 5/2007 Depay et al.  
D557,320 S \* 12/2007 Fisher et al. .... D16/242  
D557,321 S \* 12/2007 Fisher et al. .... D16/242  
D558,250 S \* 12/2007 Hsia ..... D16/203  
D571,839 S 6/2008 Andresen  
7,397,495 B2 7/2008 Girish et al.  
D578,560 S \* 10/2008 Hsia ..... D16/203

2004/0001137 A1 1/2004 Cutler et al.  
2004/0183897 A1 9/2004 Kenoyer et al.  
2004/0257432 A1 12/2004 Girish et al.  
2006/0088308 A1 4/2006 Kenoyer et al.  
2006/0170817 A1 8/2006 Wu

## OTHER PUBLICATIONS

“MediaMax Operations Manual”; May 1992; 342 pages; VideoTelecom; Austin, TX.  
“MultiMax Operations Manual”; Nov. 1992; 135 pages; VideoTelecom; Austin, TX.  
Cutler, Ross, et al., “Distributed Meetings: A Meeting Capture and Broadcasting System”; Multimedia '02; Dec. 2002; 10 pages; Microsoft Research; Redmond, WA.  
P. H. Down; “Introduction to Videoconferencing”; <http://www.video.ja.net/intro/>; 2001; 26 pages.  
Peter Meyers; “Adding Eye Contact to Your Web Chats”; The New York Times; Sep. 4, 2003; 5 pages.  
“Polycom Executive Collection”; Jun. 2003; 4 pages; Polycom, Inc.; Pleasanton, CA.  
U.S. Appl. No. 29/303,331, entitled “Mountable Camera”, by Kevin P. Kellar and Patrick D. Vanderwilt, filed Feb. 7, 2008.  
U.S. Appl. No. 29/303,339, entitled “Flat Mounted Camera”, by Kevin P. Kellar and Patrick D. Vanderwilt, filed Feb. 7, 2008.  
“QuickCam Chat Screenshot”, [http://www.logitech.com/index.cfm/webcam\\_communications/webcams/devices/281&cl=us,en](http://www.logitech.com/index.cfm/webcam_communications/webcams/devices/281&cl=us,en), accessed prior to Aug. 16, 2007, 1 page.  
“Creative Screenshot”, <http://us.creative.com/products>, accessed prior to Aug. 16, 2007, 1 page.

\* cited by examiner

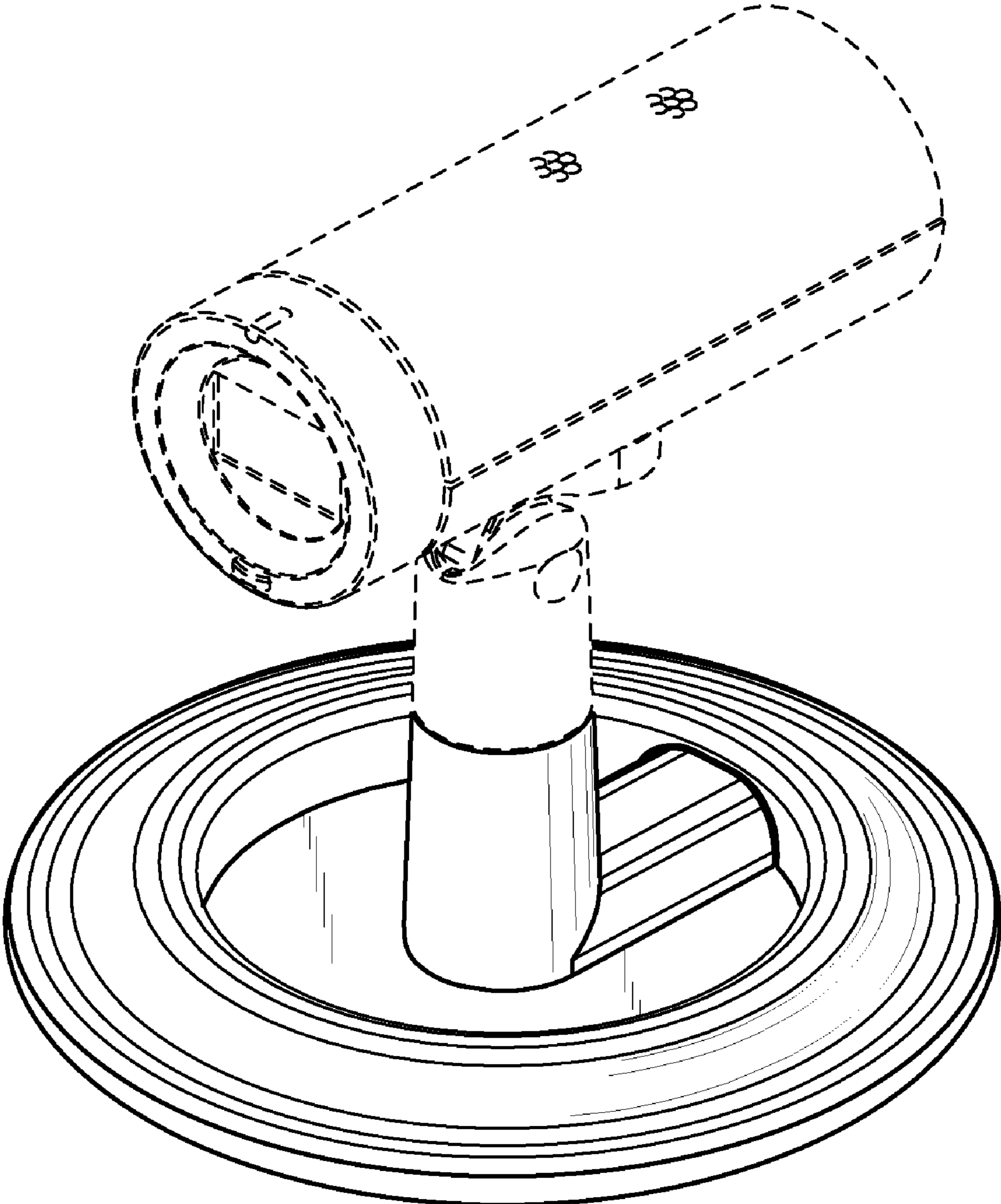


FIG. 1



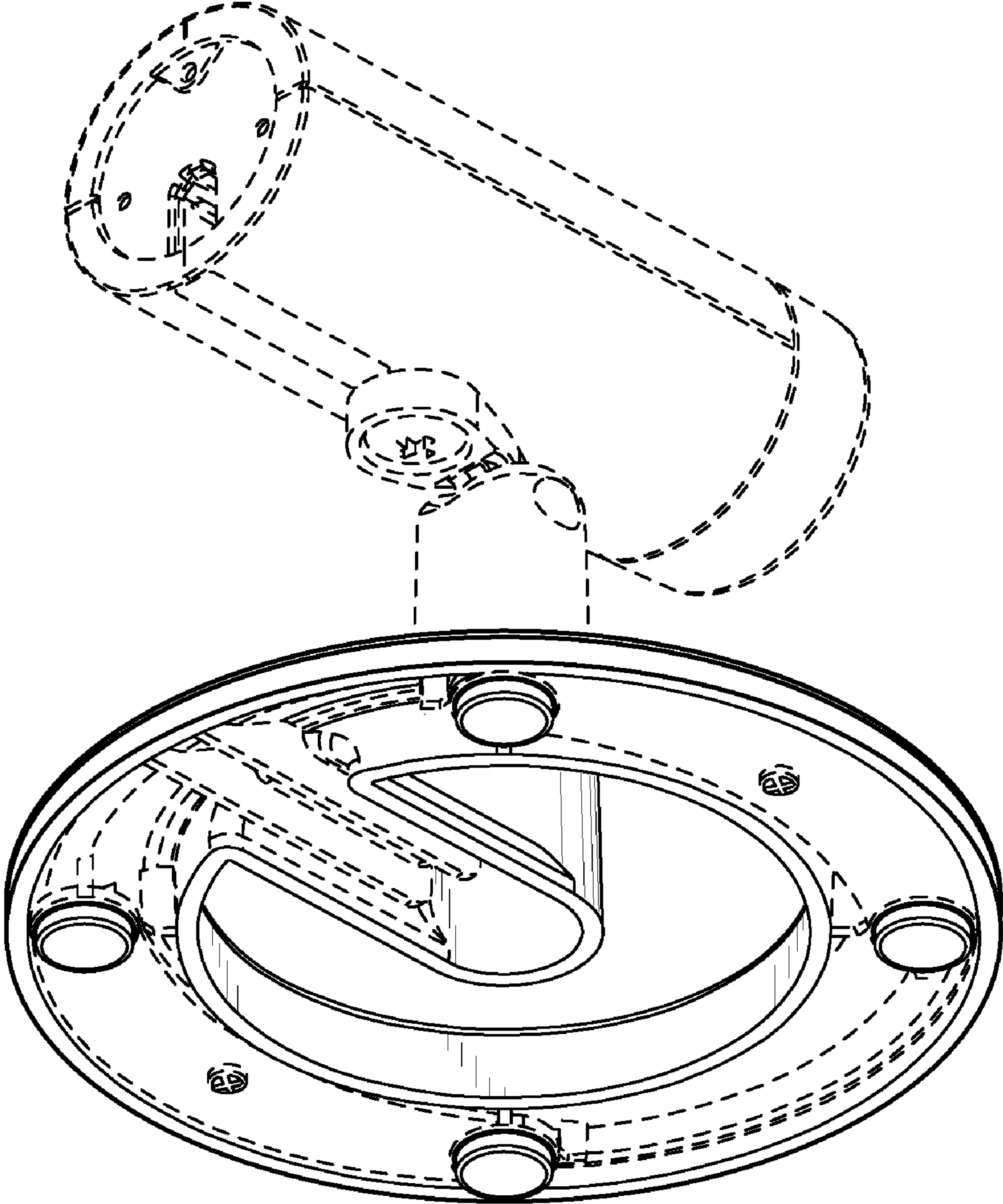


FIG. 2

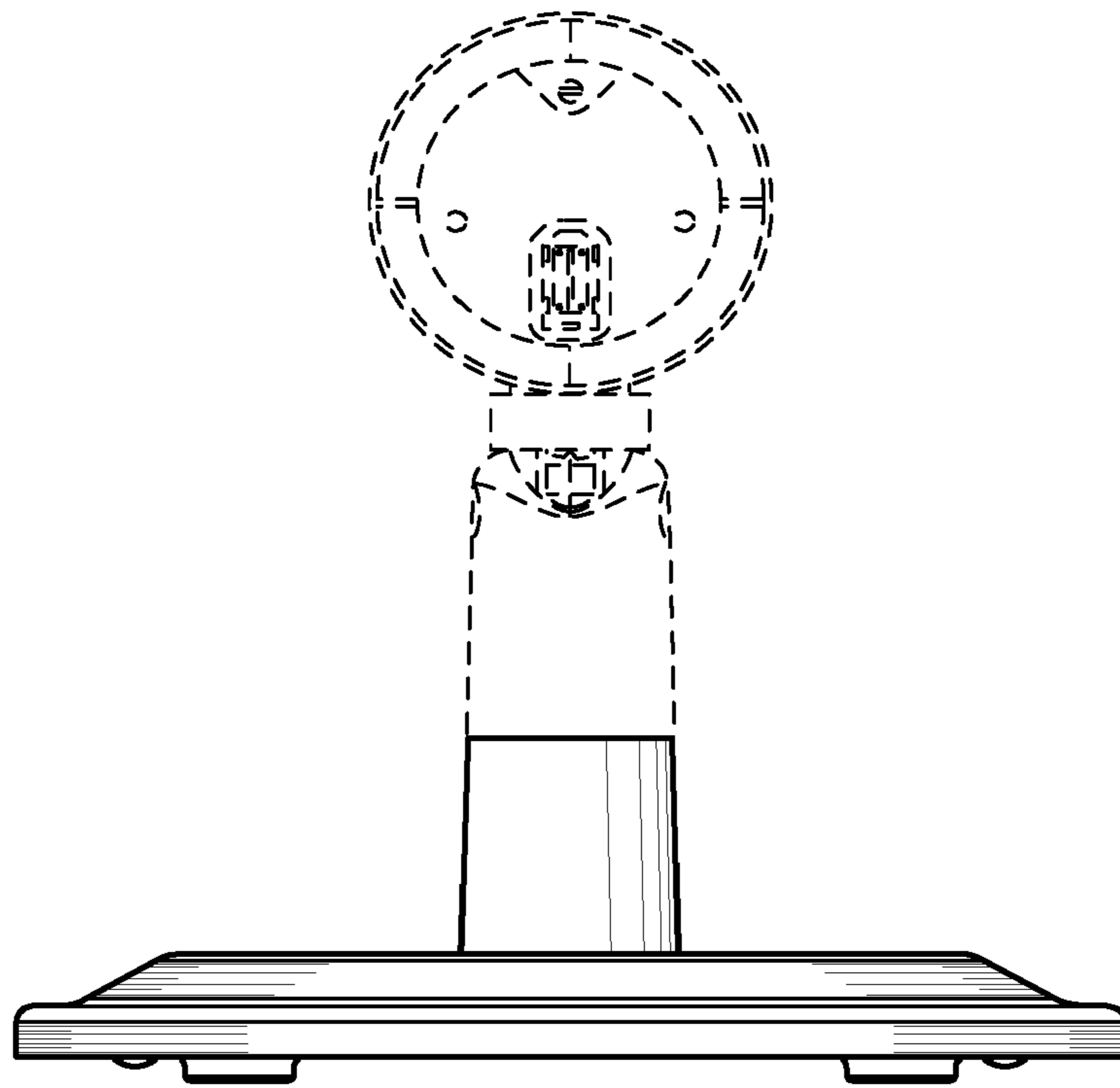


FIG. 3

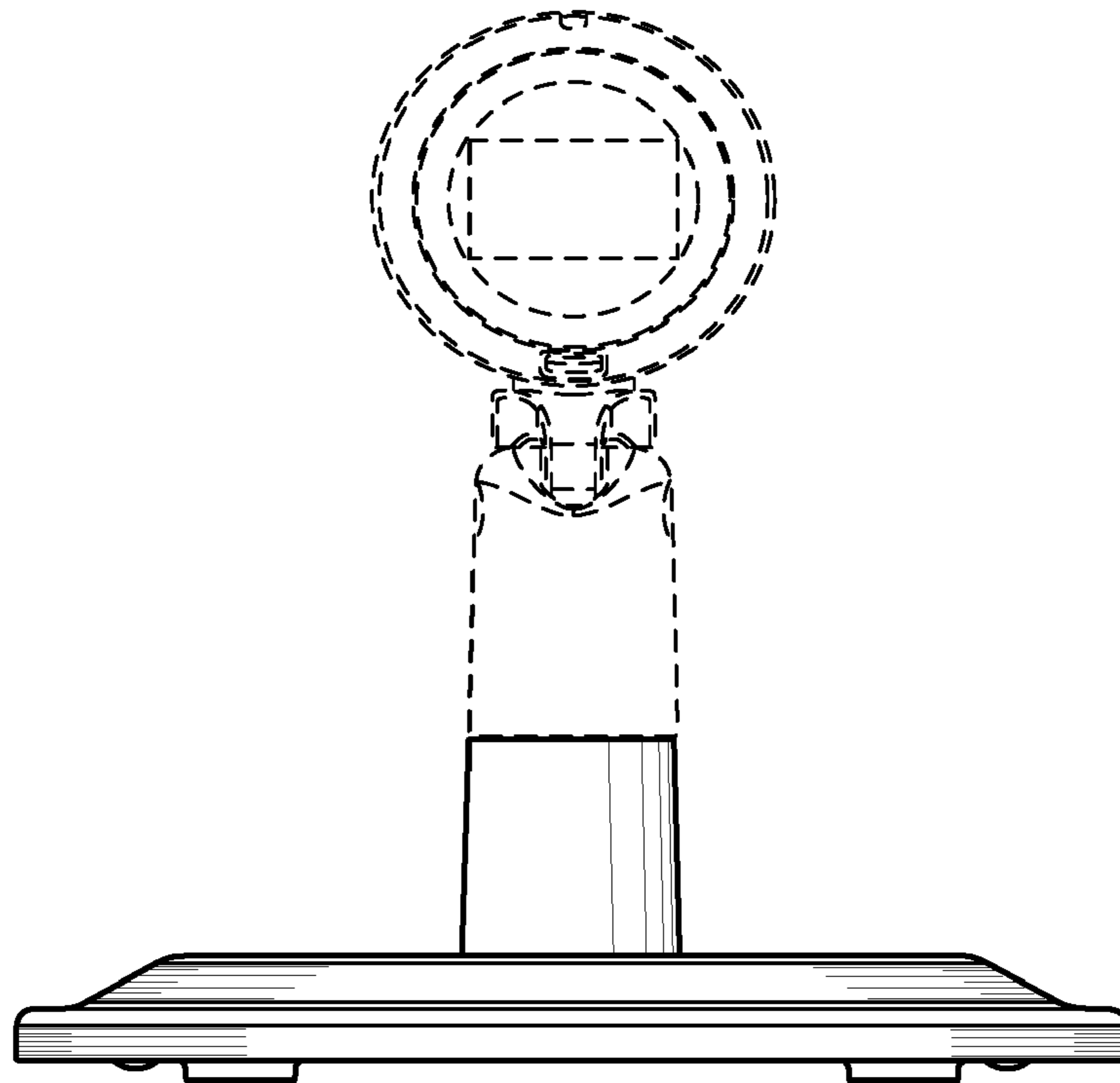


FIG. 4

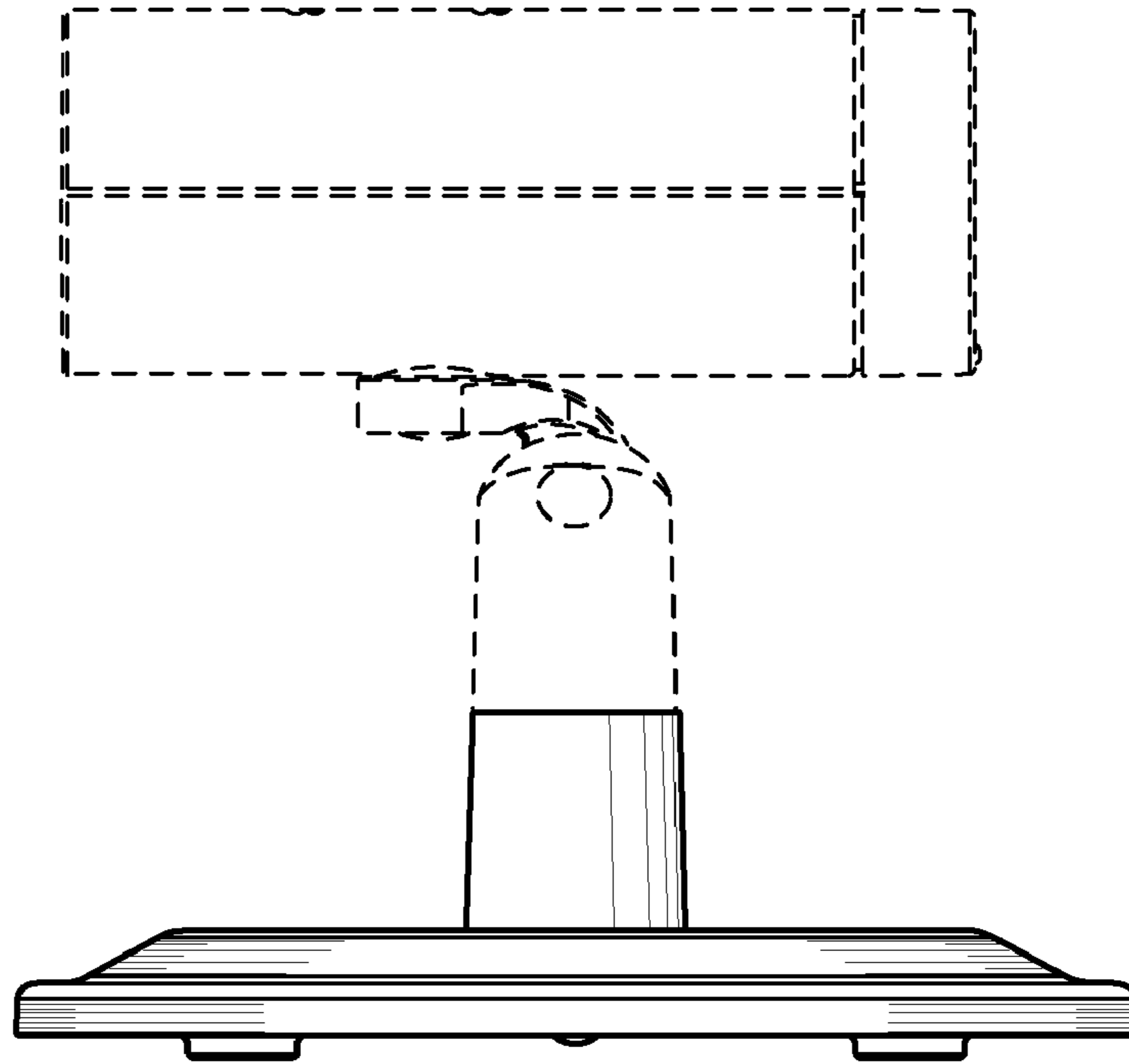


FIG. 5

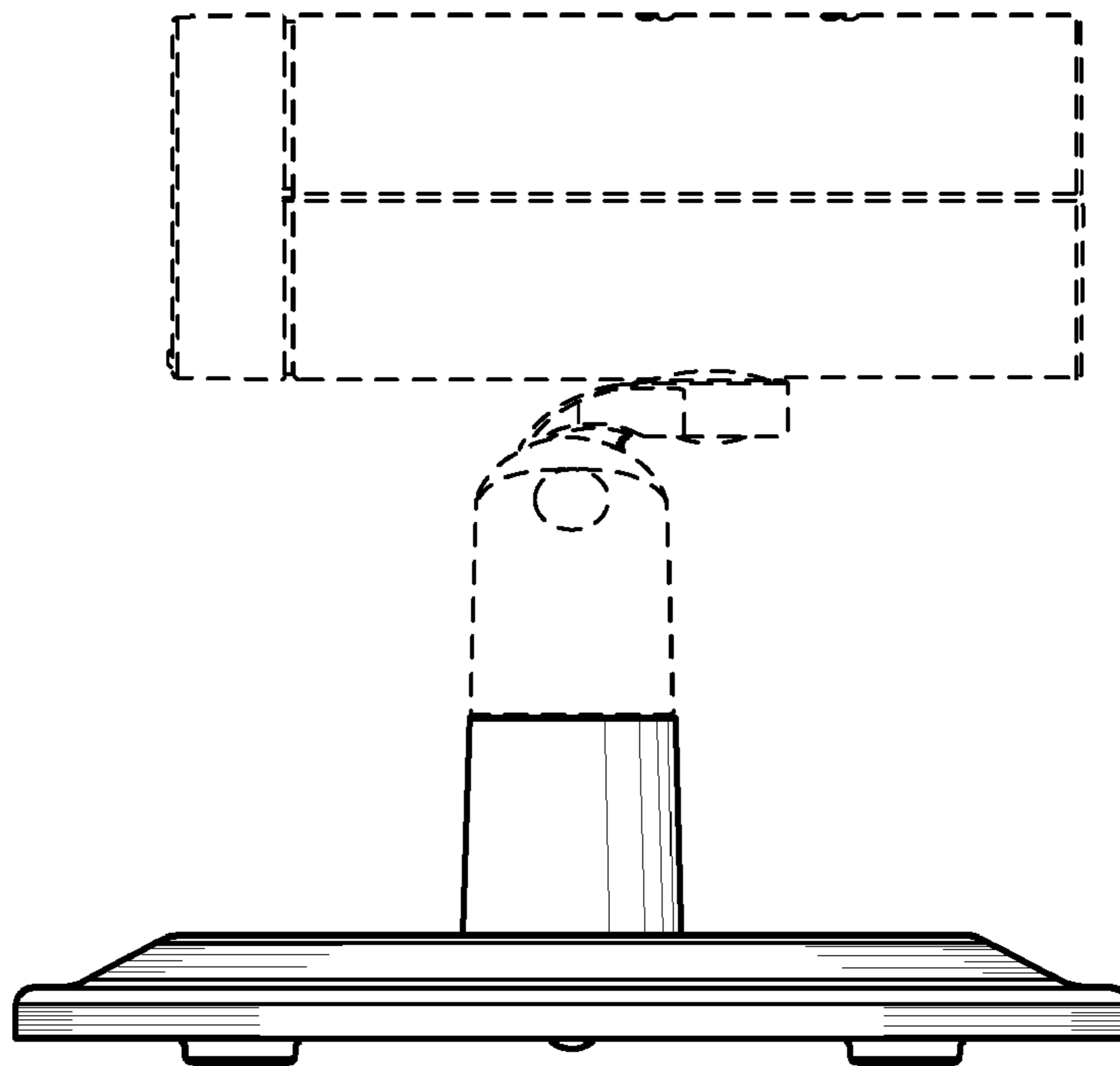


FIG. 6

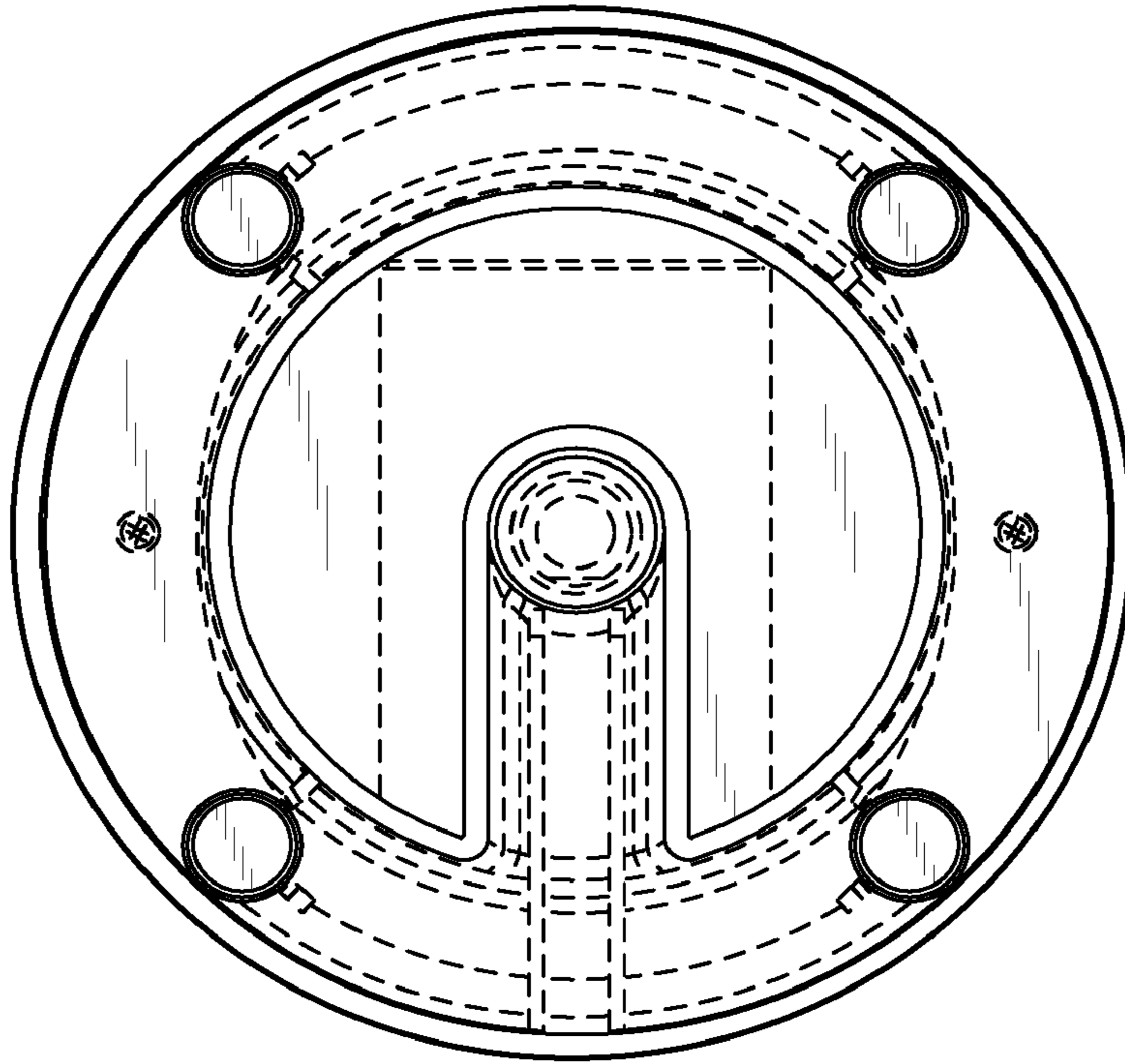


FIG. 7

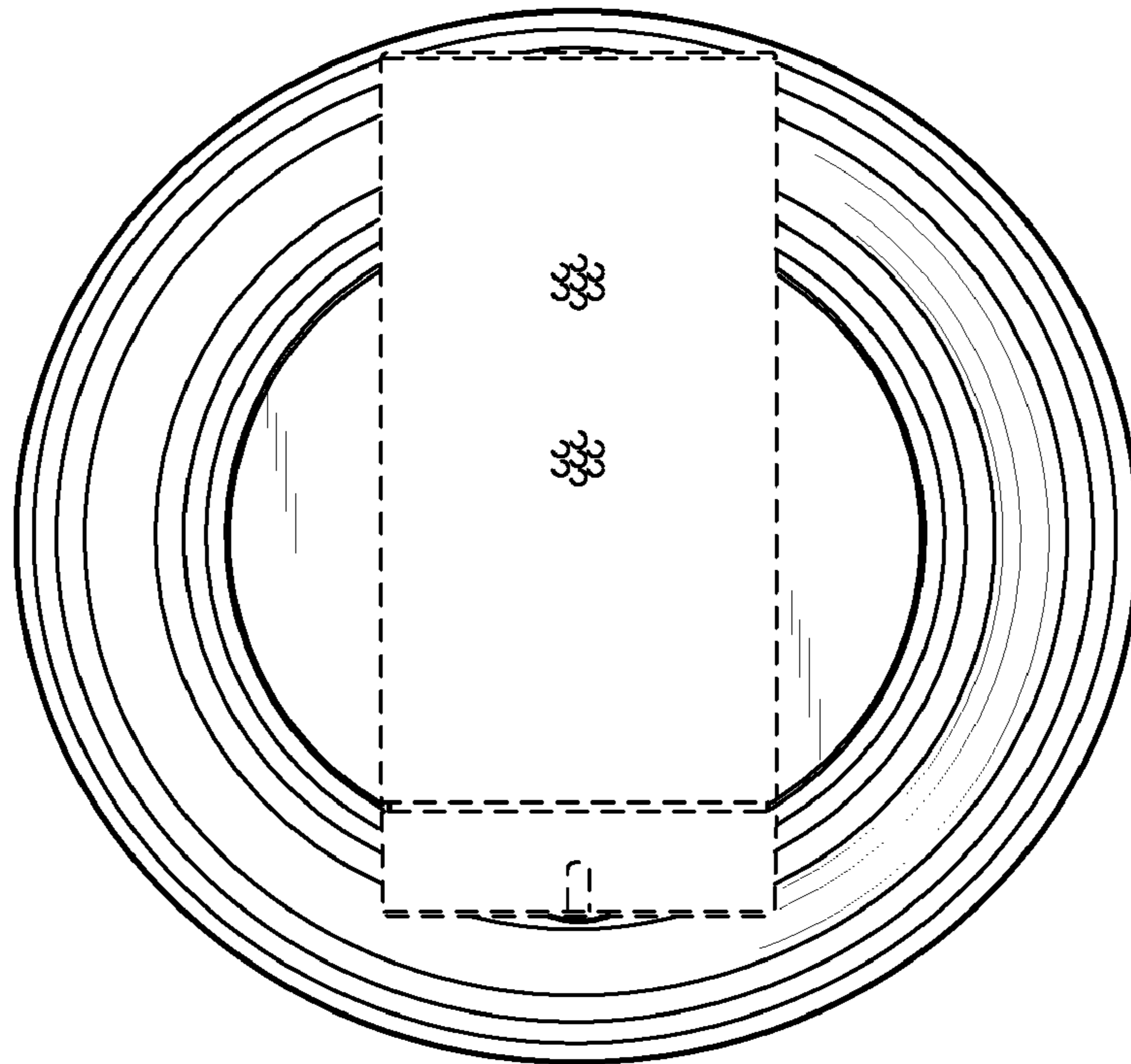


FIG. 8