

US00D58999S

(12) **United States Design Patent**
Ollila

(10) **Patent No.:** **US D589,999 S**

(45) **Date of Patent:** **** Apr. 7, 2009**

(54) **MOUNT DEVICE**

(75) Inventor: **David J. Ollila**, Marquette, MI (US)

(73) Assignee: **V.I.O. Inc.**, Marquette, MI (US)

(**) Term: **14 Years**

(21) Appl. No.: **29/280,581**

(22) Filed: **May 31, 2007**

(51) **LOC (9) Cl.** **16-05**

(52) **U.S. Cl.** **D16/242**

(58) **Field of Classification Search** D22/110;
D16/235-236, 242-245, 237; D14/217,
D14/299, 238, 224; D8/349, 354, 371, 373,
D8/380; 396/419, 422; 248/176.1, 177.1,
248/181.1, 187.1, 276.1

See application file for complete search history.

(56) **References Cited**

U.S. PATENT DOCUMENTS

D242,149	S	*	11/1976	Tibbetts	D14/299
4,409,738	A	*	10/1983	Renander et al.	33/281
D308,389	S	*	6/1990	Horn et al.	D16/242
D314,576	S	*	2/1991	Hutchison et al.	D14/238
D346,198	S	*	4/1994	Herringshaw	D22/110
D360,250	S	*	7/1995	Coste	D22/110
D382,287	S	*	8/1997	Palmer	D16/242
D406,630	S	*	3/1999	Emerson	D22/109

D435,625	S	*	12/2000	Ling, Jr.	D22/109
D502,244	S	*	2/2005	Oz	D22/109
D572,571	S	*	7/2008	Terada et al.	D8/354
D578,177	S	*	10/2008	Norberg et al.	D22/110
2006/0239677	A1	*	10/2006	Friedrich	396/419

OTHER PUBLICATIONS

Co-Pending U.S. Appl. No. 29/280,576, filed May 31, 2007.

* cited by examiner

Primary Examiner—Ian Simmons

Assistant Examiner—Wan Laymon

(74) *Attorney, Agent, or Firm*—Dobrusin & Thennisch PC

(57) **CLAIM**

The ornamental design for a mount device, as shown and described.

DESCRIPTION

FIG. 1 is a perspective view of a mount device of the present invention.

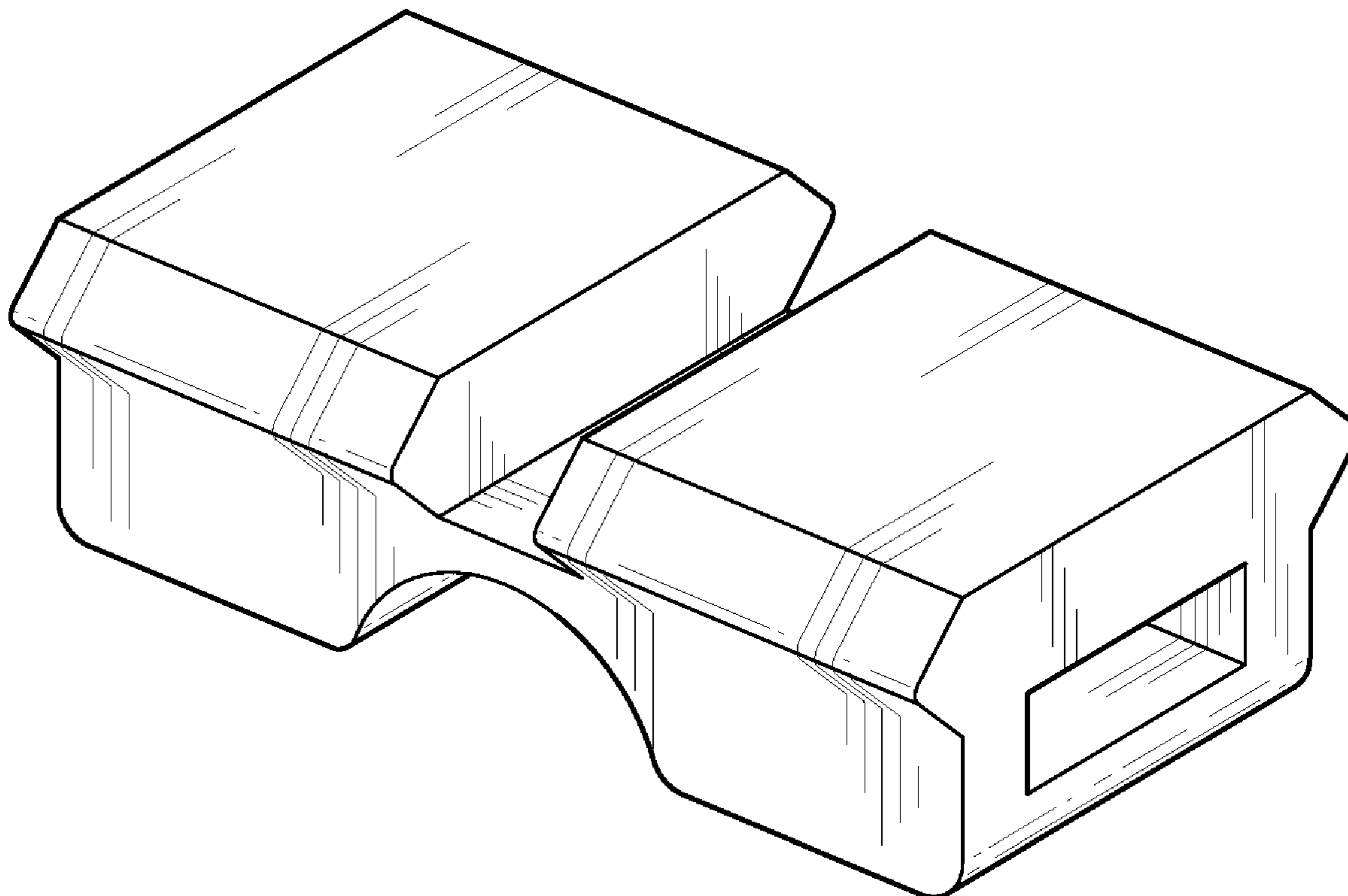
FIG. 2 is a front elevational view thereof.

FIG. 3 is a side elevational view thereof; and,

FIG. 4 is a top plan view thereof.

The broken lines showing environment in the drawings are for illustrative purposes only and form no part of the claimed design.

1 Claim, 1 Drawing Sheet



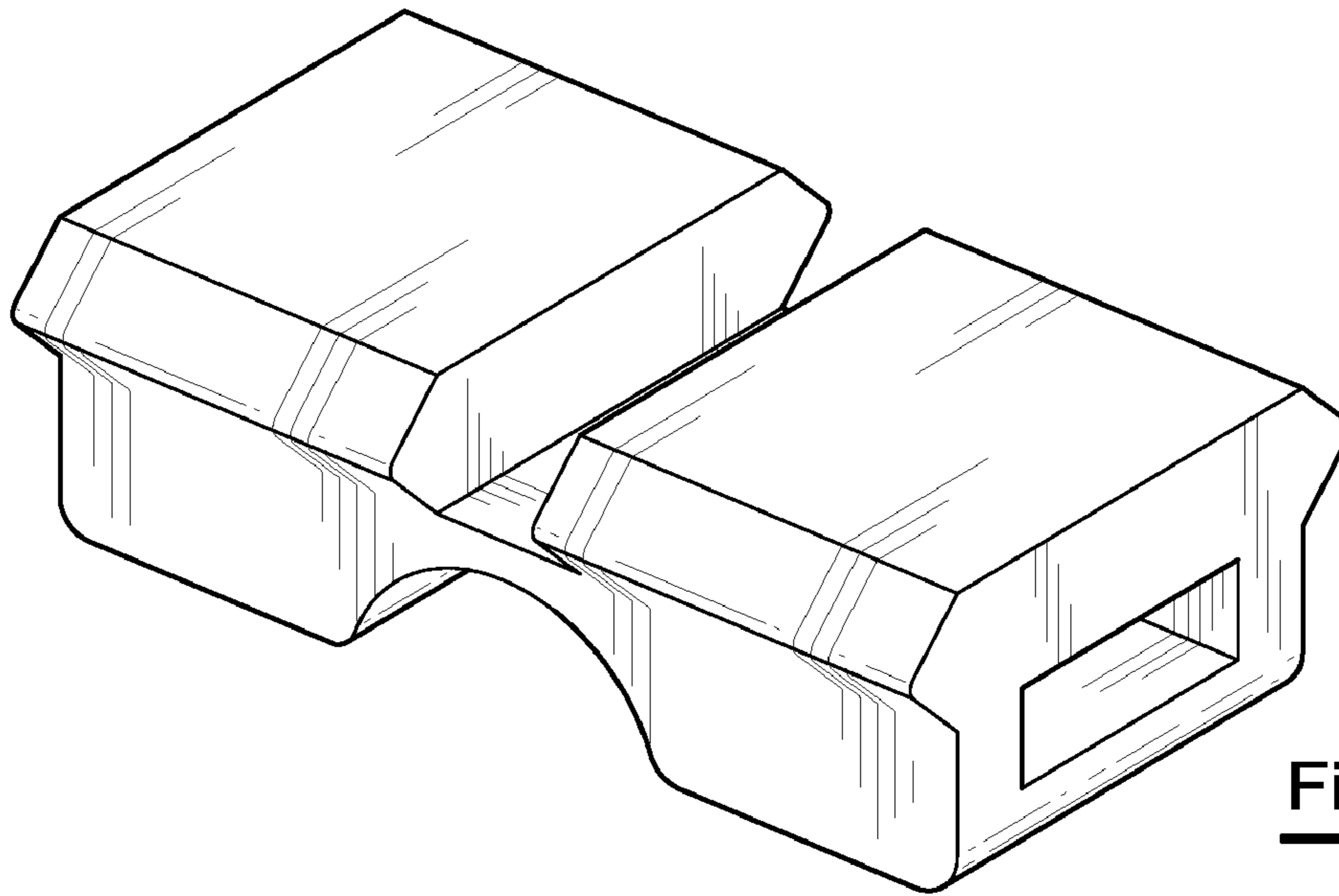


Fig-1

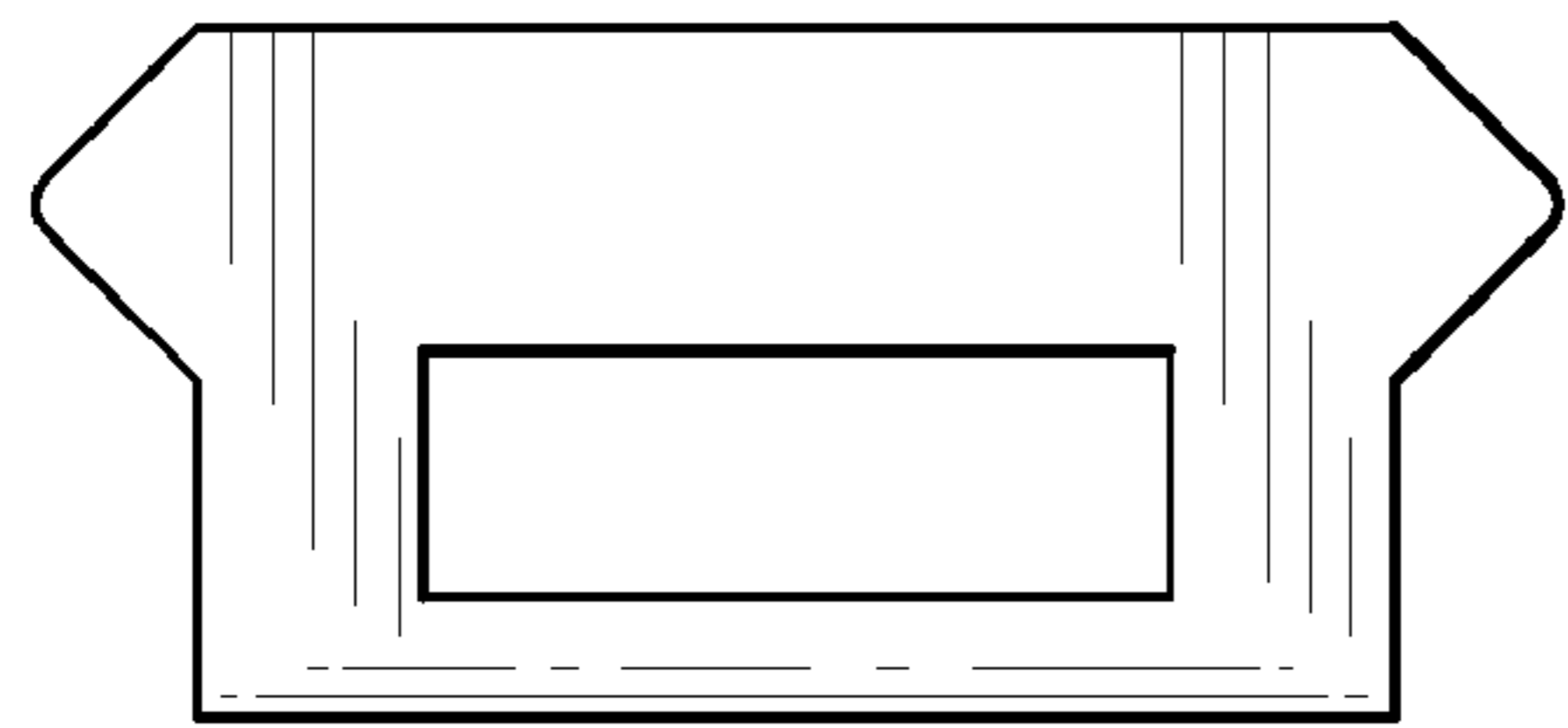


Fig-2

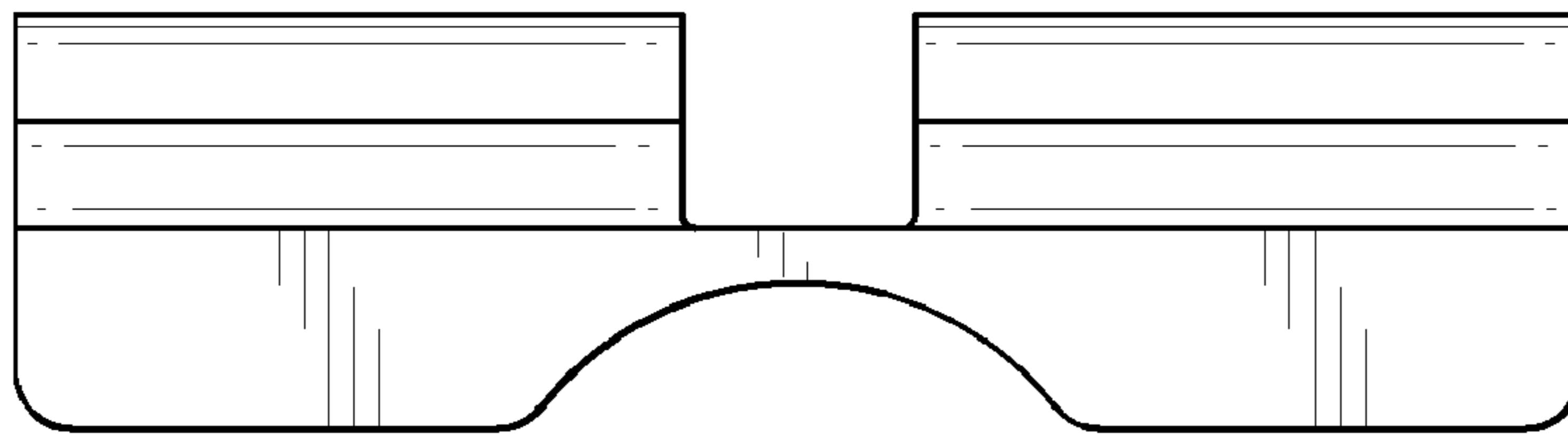


Fig-3

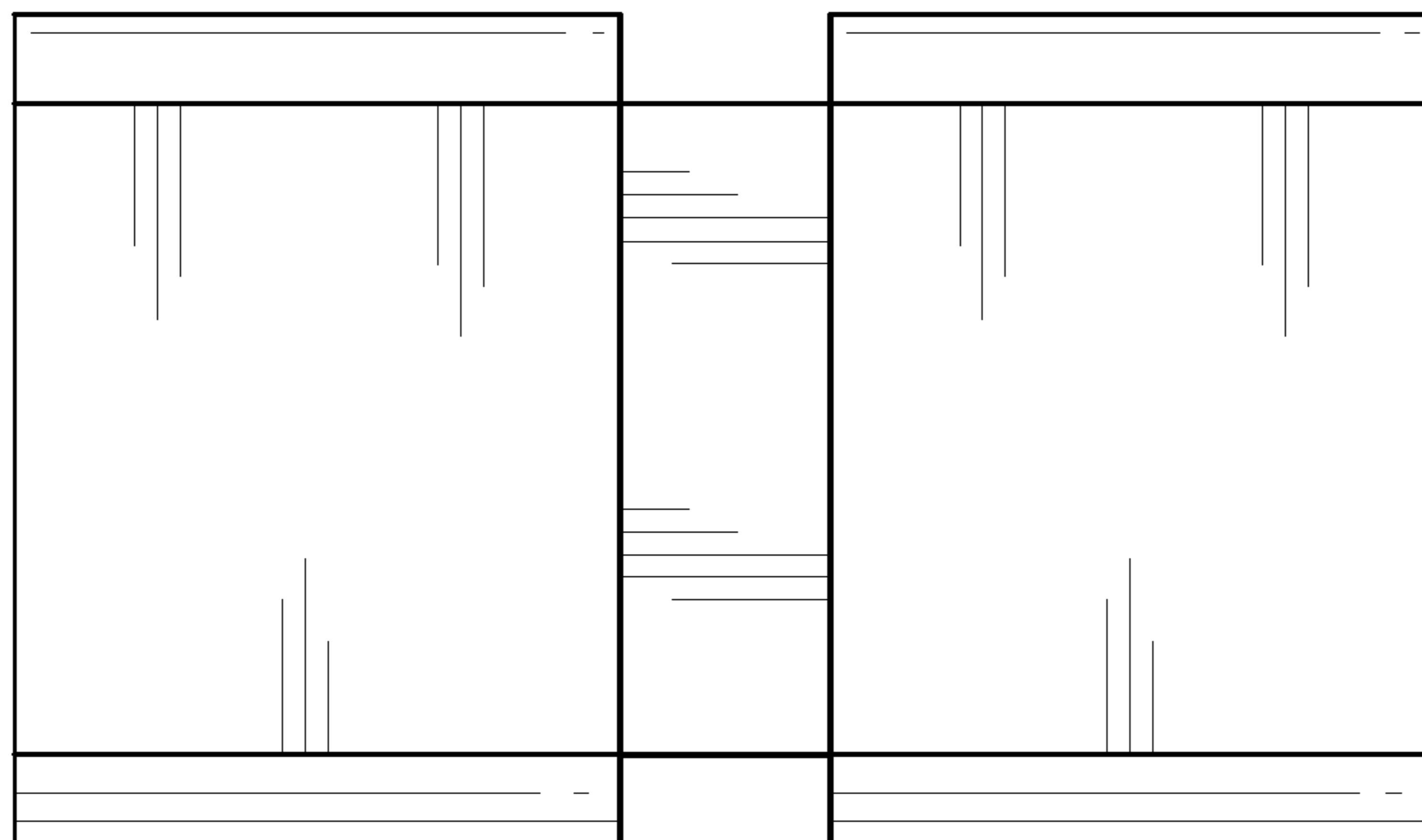


Fig-4