



US00D589998S

(12) **United States Design Patent**  
**Ollila**

(10) **Patent No.:** **US D589,998 S**

(45) **Date of Patent:** **\*\* Apr. 7, 2009**

(54) **MOUNT DEVICE**

(75) **Inventor:** **David J. Ollila**, Marquette, MI (US)

(73) **Assignee:** **V.I.O. Inc.**, Marquette, MI (US)

(\*\*) **Term:** **14 Years**

(21) **Appl. No.:** **29/280,576**

(22) **Filed:** **May 31, 2007**

(51) **LOC (9) Cl.** ..... **16-05**

(52) **U.S. Cl.** ..... **D16/242**

(58) **Field of Classification Search** ..... D22/110;  
D16/235-237, 242-245; D14/217, 299,  
D14/238, 224; D8/349, 354, 371, 373, 380;  
396/419, 422; 248/176.1, 177.1, 181.1, 187.1,  
248/276.1

See application file for complete search history.

(56) **References Cited**

**U.S. PATENT DOCUMENTS**

D242,149 S *	11/1976	Tibbetts	.....	D14/299
4,409,738 A *	10/1983	Renander et al.	.....	33/281
D308,389 S *	6/1990	Horn et al.	.....	D16/242
D314,576 S *	2/1991	Hutchison et al.	.....	D14/238
D346,198 S *	4/1994	Herringshaw	.....	D22/110
D360,250 S *	7/1995	Coste	.....	D22/110
D382,287 S *	8/1997	Palmer	.....	D16/242
D406,630 S *	3/1999	Emerson	.....	D22/109

D435,625 S *	12/2000	Ling, Jr.	.....	D22/109
D502,244 S *	2/2005	Oz	.....	D22/109
D572,571 S *	7/2008	Terada et al.	.....	D8/354
D578,177 S *	10/2008	Norberg et al.	.....	D22/110
2006/0239677 A1 *	10/2006	Friedrich	.....	396/419

**OTHER PUBLICATIONS**

Co-Pending U.S. Appl. No. 29/280,581, filed May 31, 2007.

\* cited by examiner

*Primary Examiner*—Ian Simmons

*Assistant Examiner*—Wan Laymon

(74) *Attorney, Agent, or Firm*—Dobrusin & Thennisch PC

(57) **CLAIM**

The ornamental design for a mount device, as shown and described.

**DESCRIPTION**

FIG. 1 is a perspective view of a mount device of the present invention.

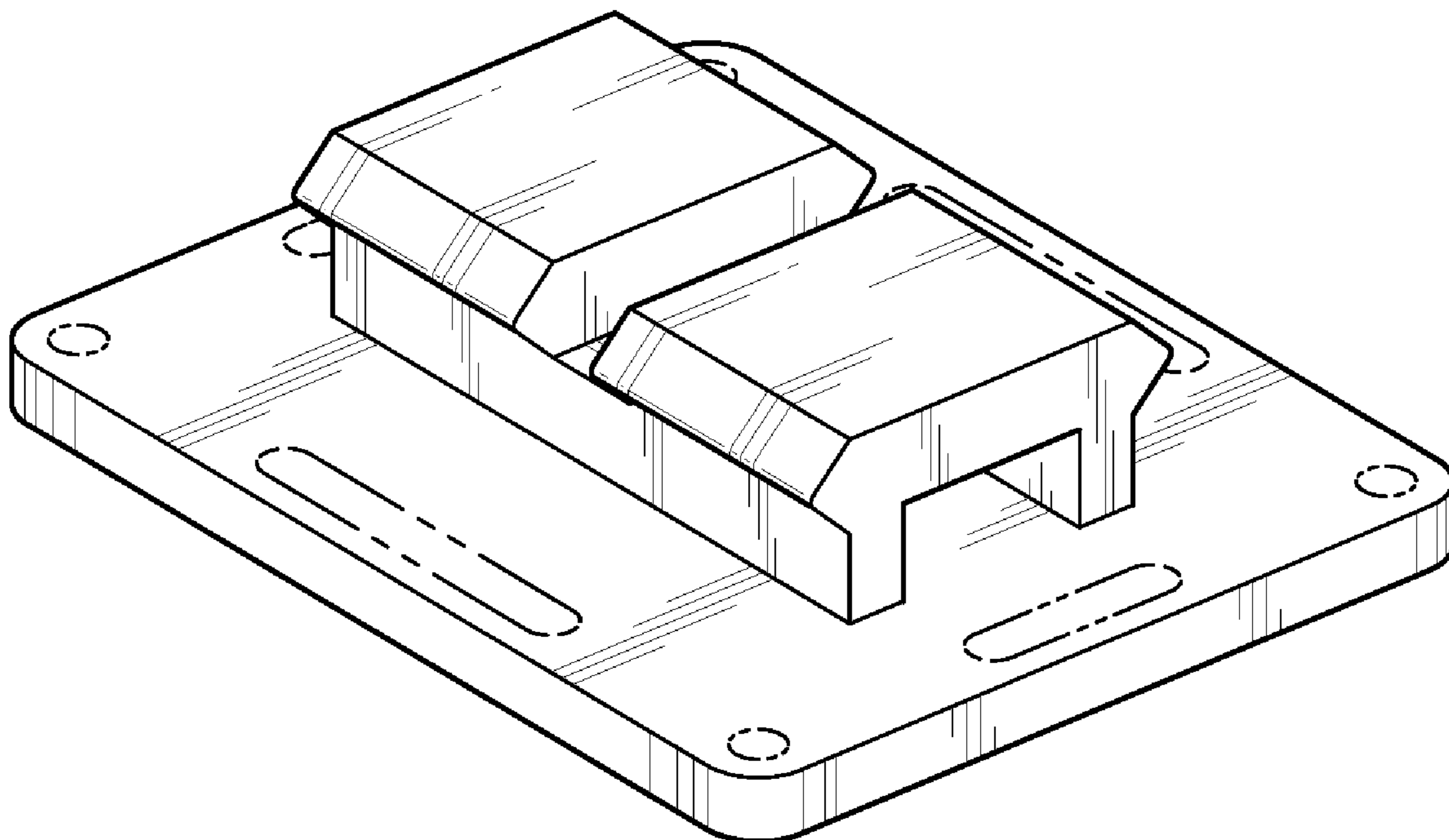
FIG. 2 is a front elevational view thereof.

FIG. 3 is a side elevational view thereof; and,

FIG. 4 is a top plan view thereof.

The broken lines showing environment in the drawings are for illustrative purposes only and form no part of the claimed design.

**1 Claim, 1 Drawing Sheet**



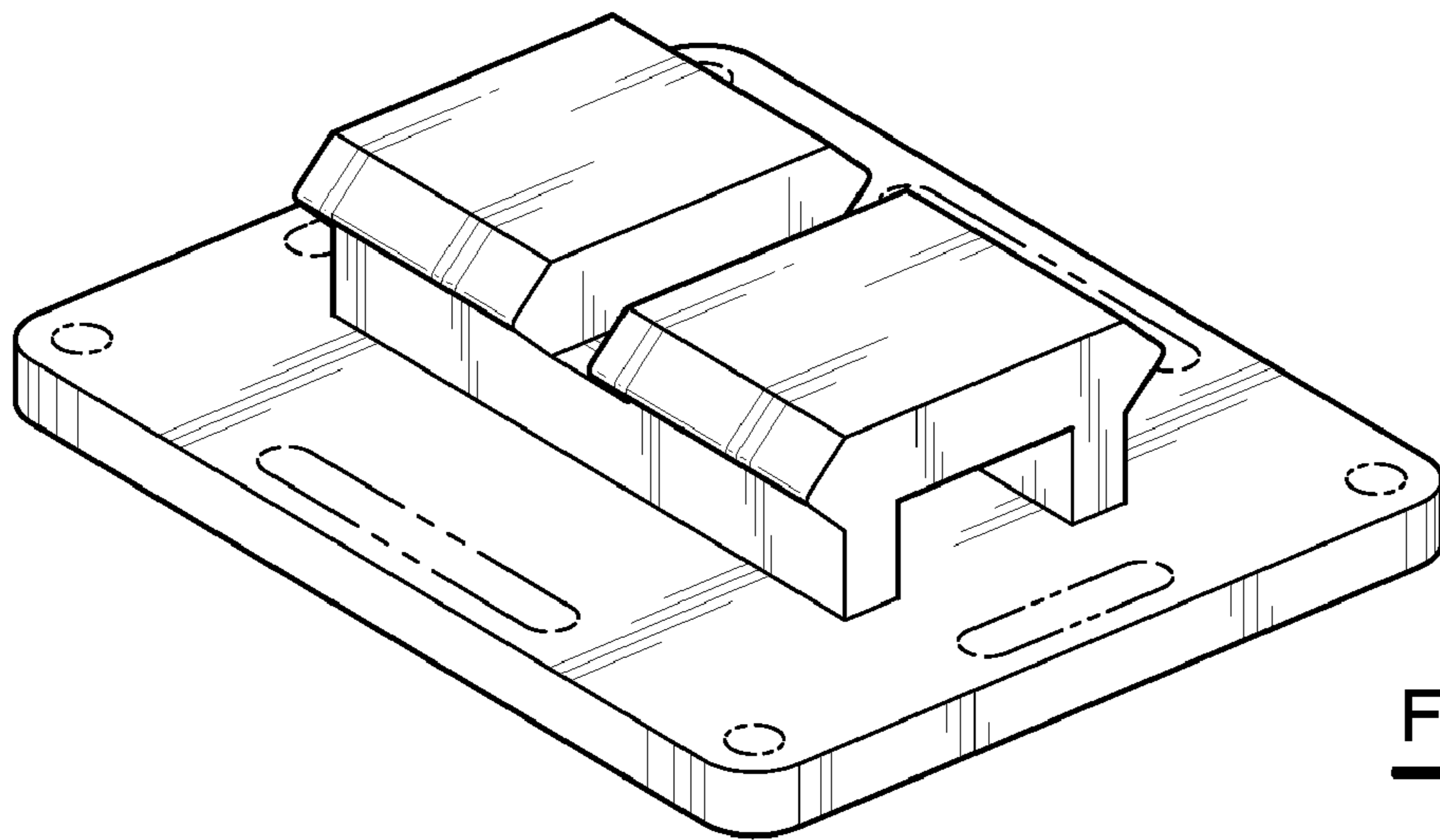


Fig-1

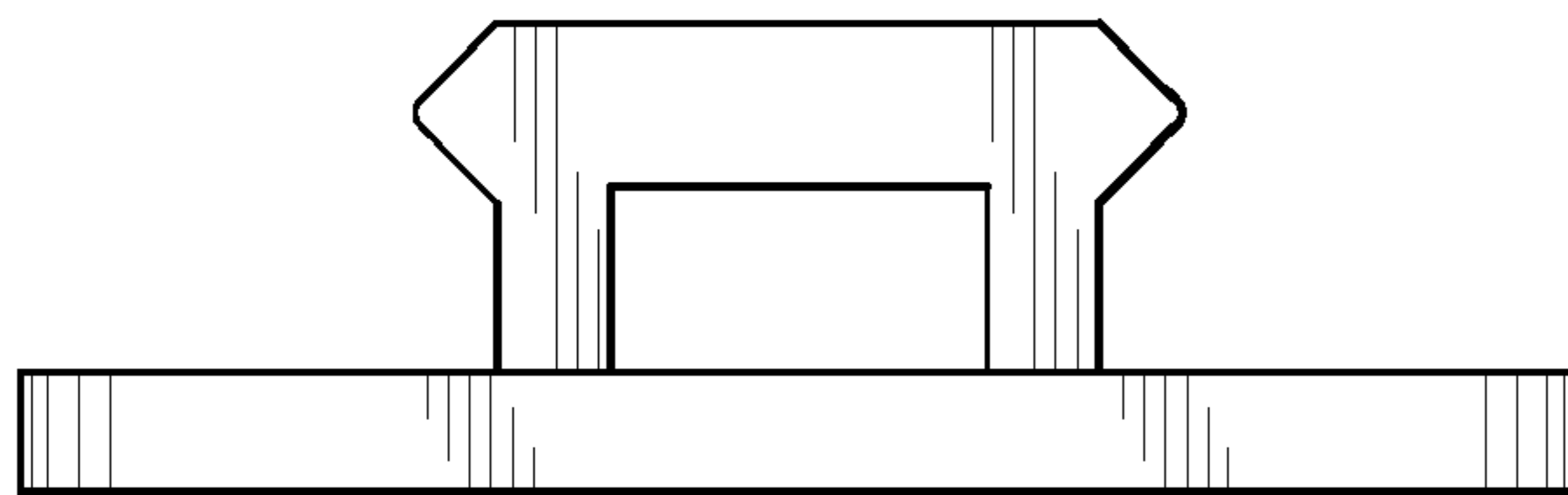


Fig-2

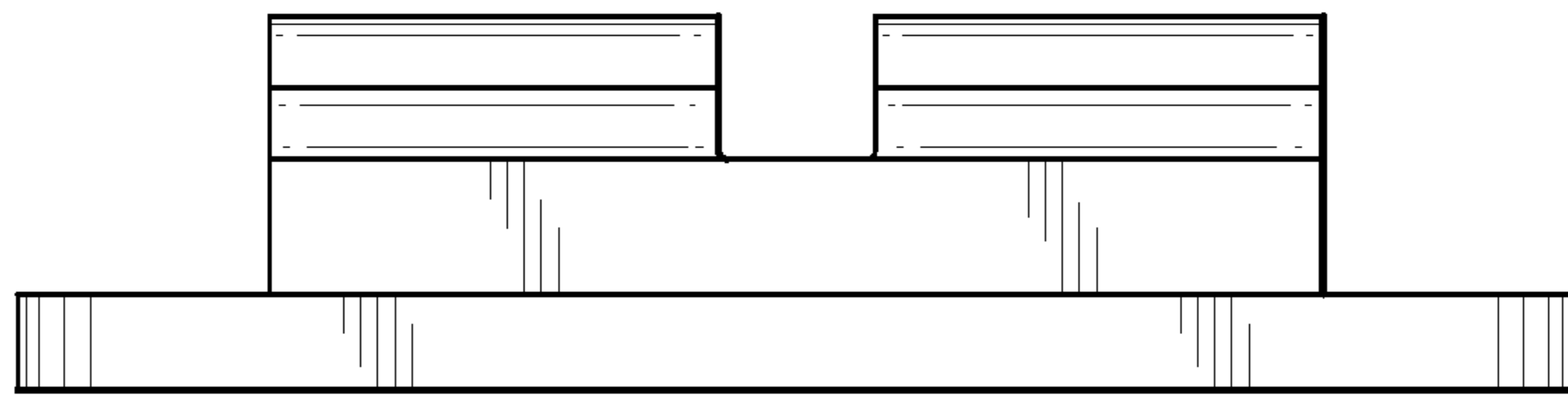


Fig-3

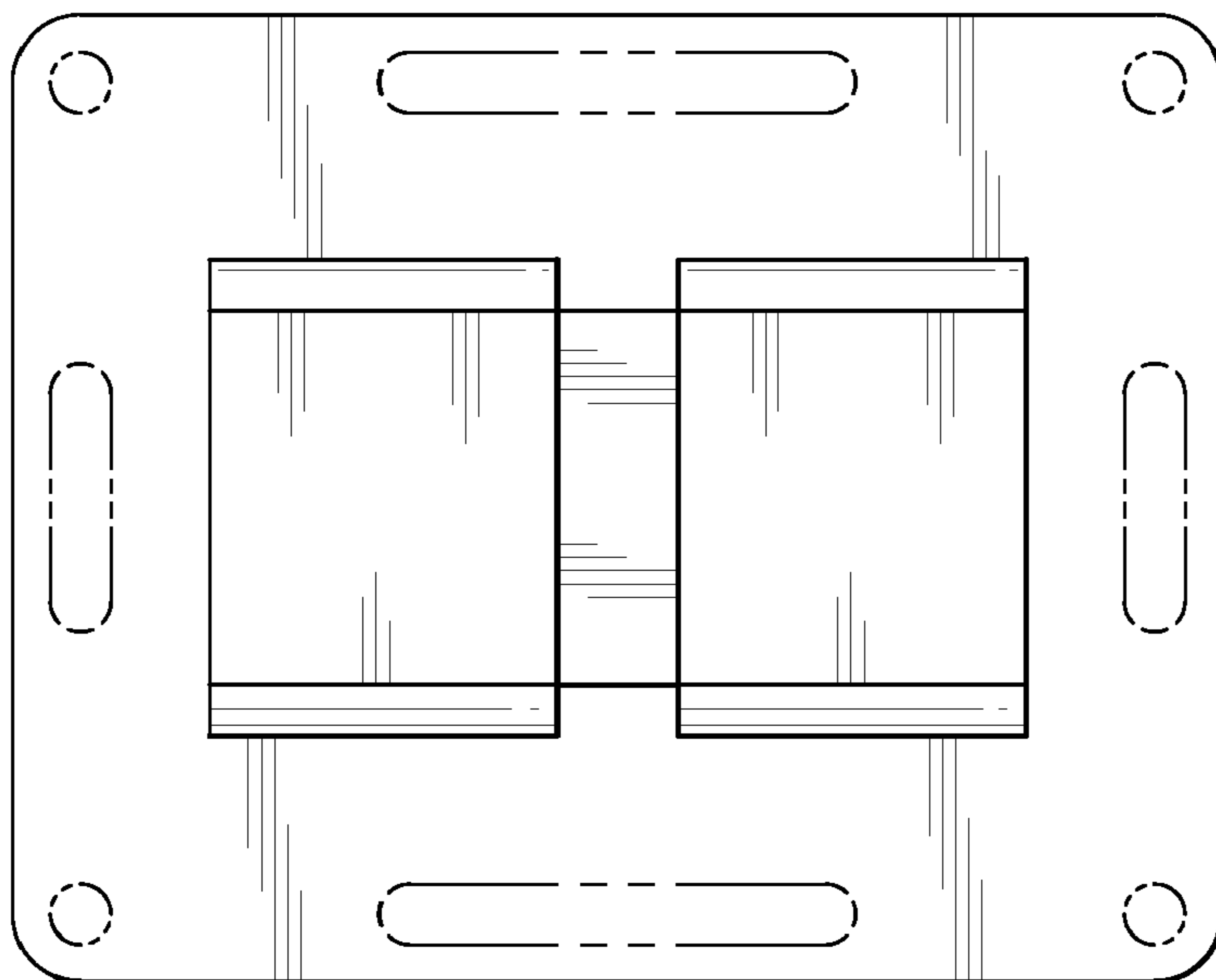


Fig-4