



US00D58997S

(12) **United States Design Patent**  
**Hieda et al.**

(10) **Patent No.:** **US D589,997 S**  
(45) **Date of Patent:** **\*\* Apr. 7, 2009**

(54) **LAMP FOR PROJECTOR**

(75) Inventors: **Toshihiro Hieda**, Matsumoto (JP);  
**Toshio Matsumiya**, Matsumoto (JP)

(73) Assignee: **Seiko Epson Corporation**, Tokyo (JP)

(\*\*) Term: **14 Years**

(21) Appl. No.: **29/318,092**

(22) Filed: **May 13, 2008**

(30) **Foreign Application Priority Data**

Feb. 27, 2008 (JP) ..... 2008-004402

(51) **LOC (9) Cl.** ..... **16-02**

(52) **U.S. Cl.** ..... **D16/235**

(58) **Field of Classification Search** ..... D16/221,  
D16/225, 237, 235-236; D26/1, 24, 28,  
D26/36; 353/85, 87, 97-98, 119; 362/294,  
362/368, 430, 227, 242, 362

See application file for complete search history.

(56) **References Cited**

**U.S. PATENT DOCUMENTS**

D420,455 S \* 2/2000 Haba et al. .... D26/1  
D424,089 S \* 5/2000 Takizawa ..... D16/221  
7,052,147 B2 \* 5/2006 Katsuma et al. .... 353/119

7,104,654 B2 \* 9/2006 Tamaru et al. .... 353/85  
D558,252 S \* 12/2007 Matsumiya et al. .... D16/221  
D561,232 S \* 2/2008 Nishizawa et al. .... D16/235  
D574,408 S \* 8/2008 Kobayashi et al. .... D16/235

\* cited by examiner

*Primary Examiner*—Ian Simmons

*Assistant Examiner*—Wan Laymon

(74) *Attorney, Agent, or Firm*—Oliff & Berridge, PLC

(57) **CLAIM**

The ornamental design for a lamp for projector, as shown and described.

**DESCRIPTION**

FIG. 1 is a top perspective view of a lamp for projector;

FIG. 2 is a bottom perspective view thereof;

FIG. 3 is a front view thereof;

FIG. 4 is a rear view thereof;

FIG. 5 is a left-side view thereof;

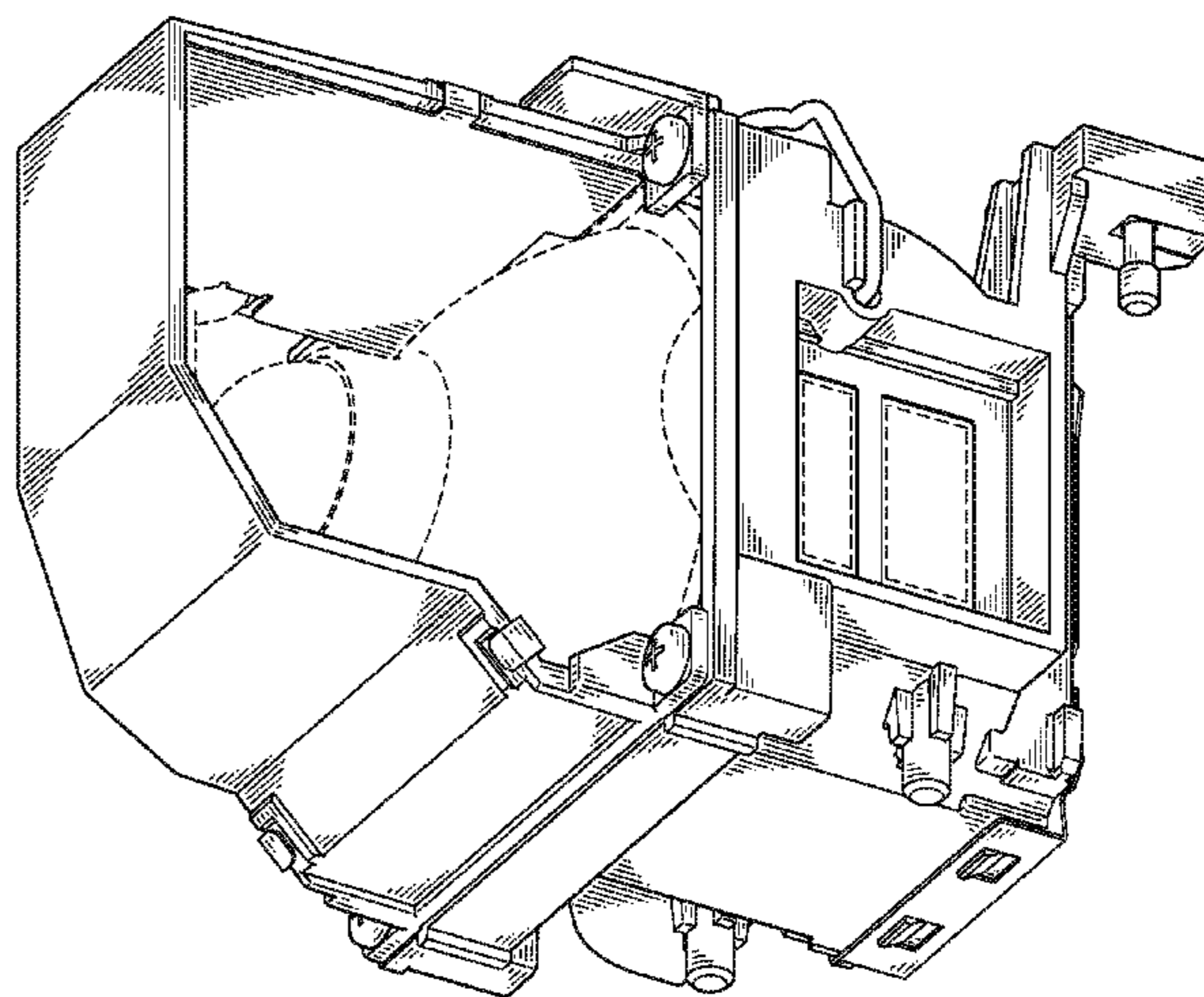
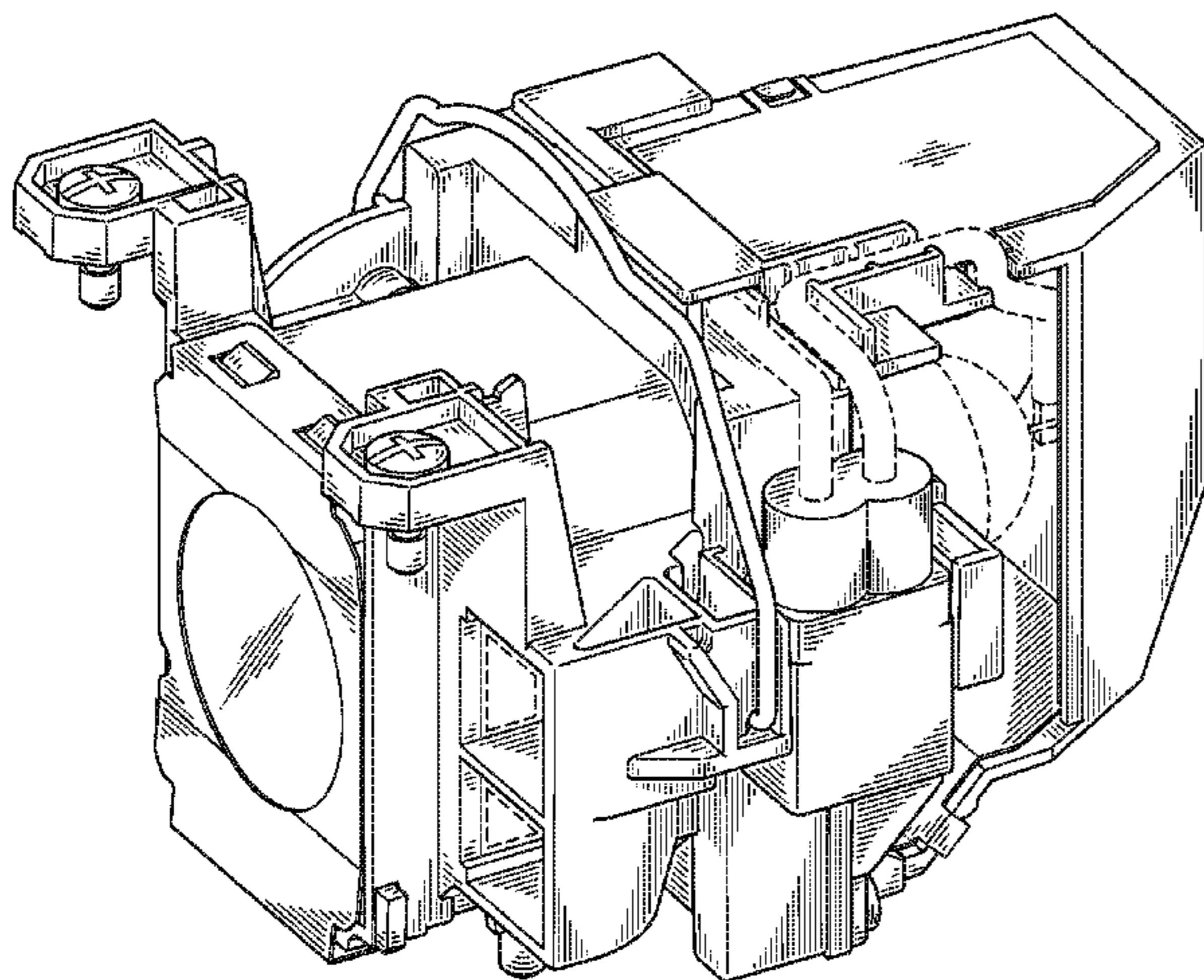
FIG. 6 is a right-side view thereof;

FIG. 7 is a top view thereof; and,

FIG. 8 is a bottom view thereof.

The broken lines depict environmental subject matter only and form no part of the claimed design.

**1 Claim, 6 Drawing Sheets**



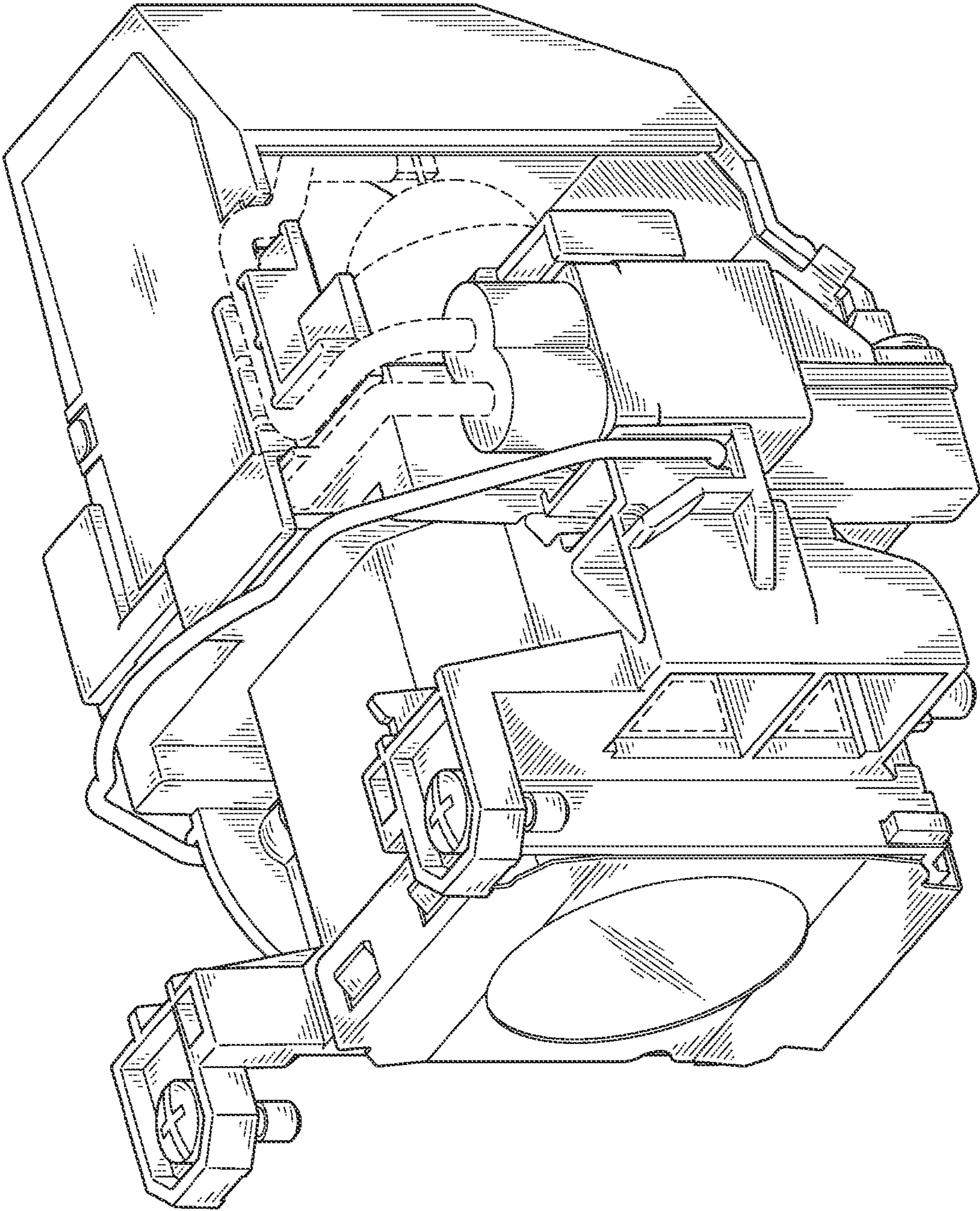


FIG. 1



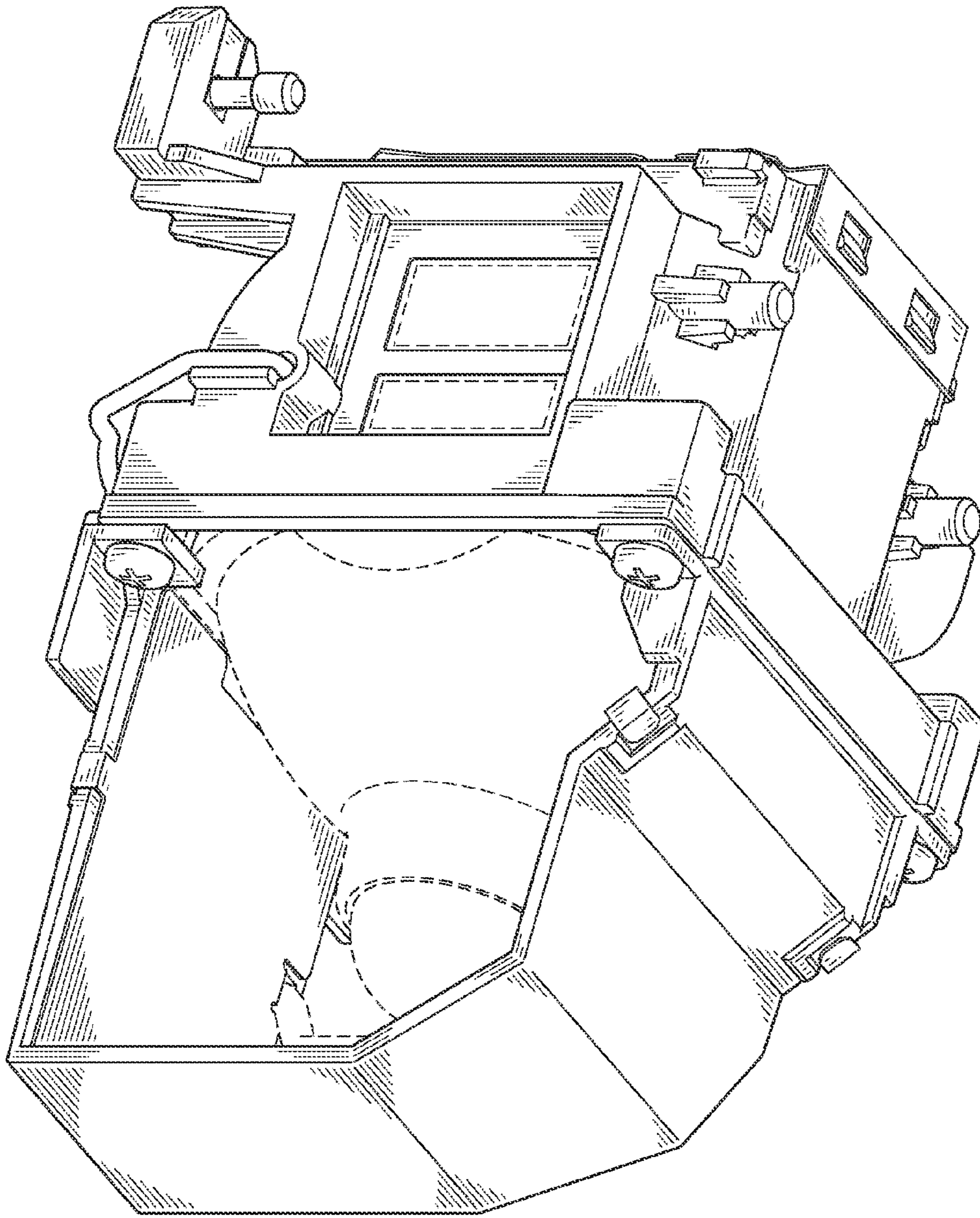


FIG. 2

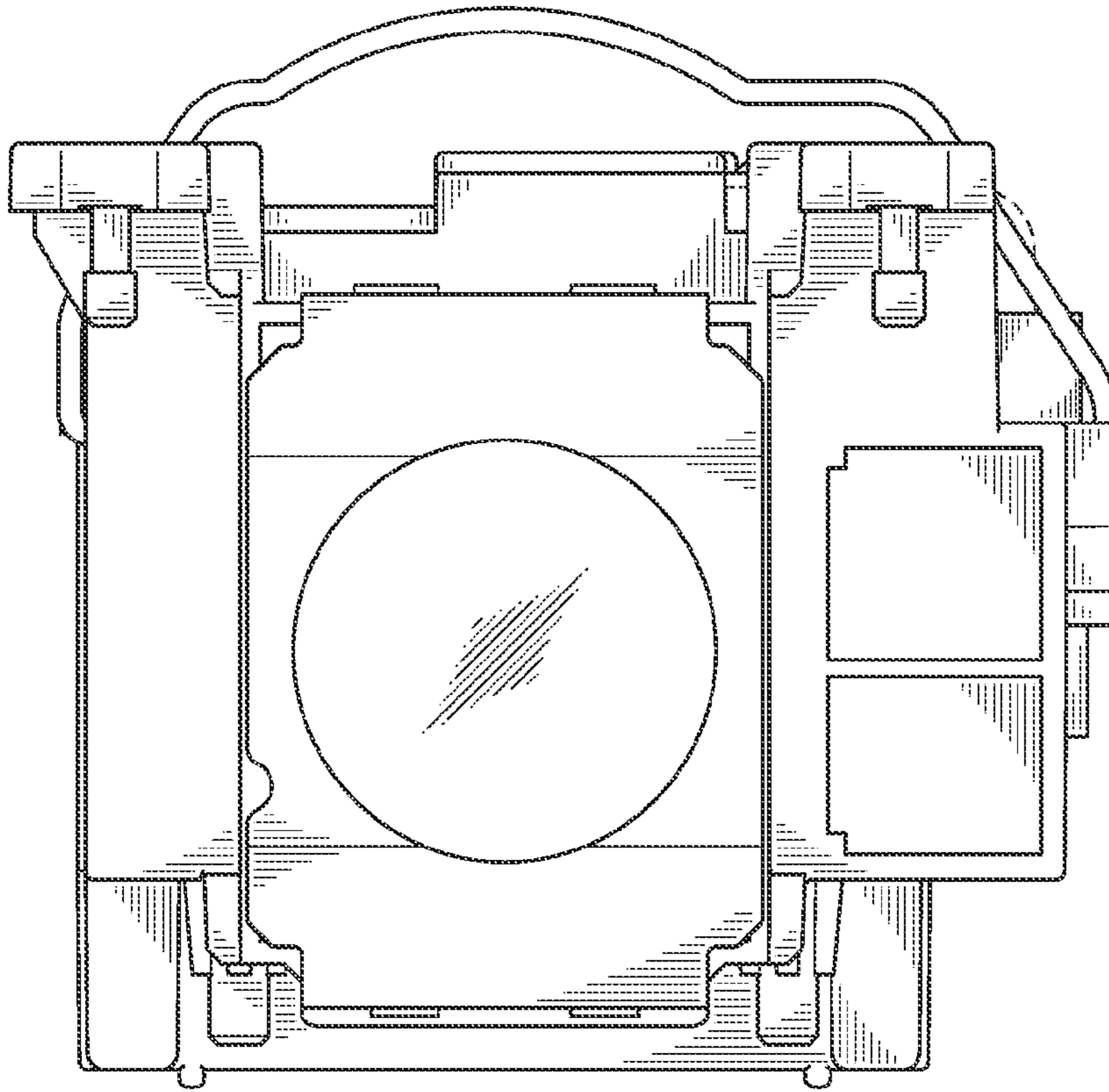


FIG. 3

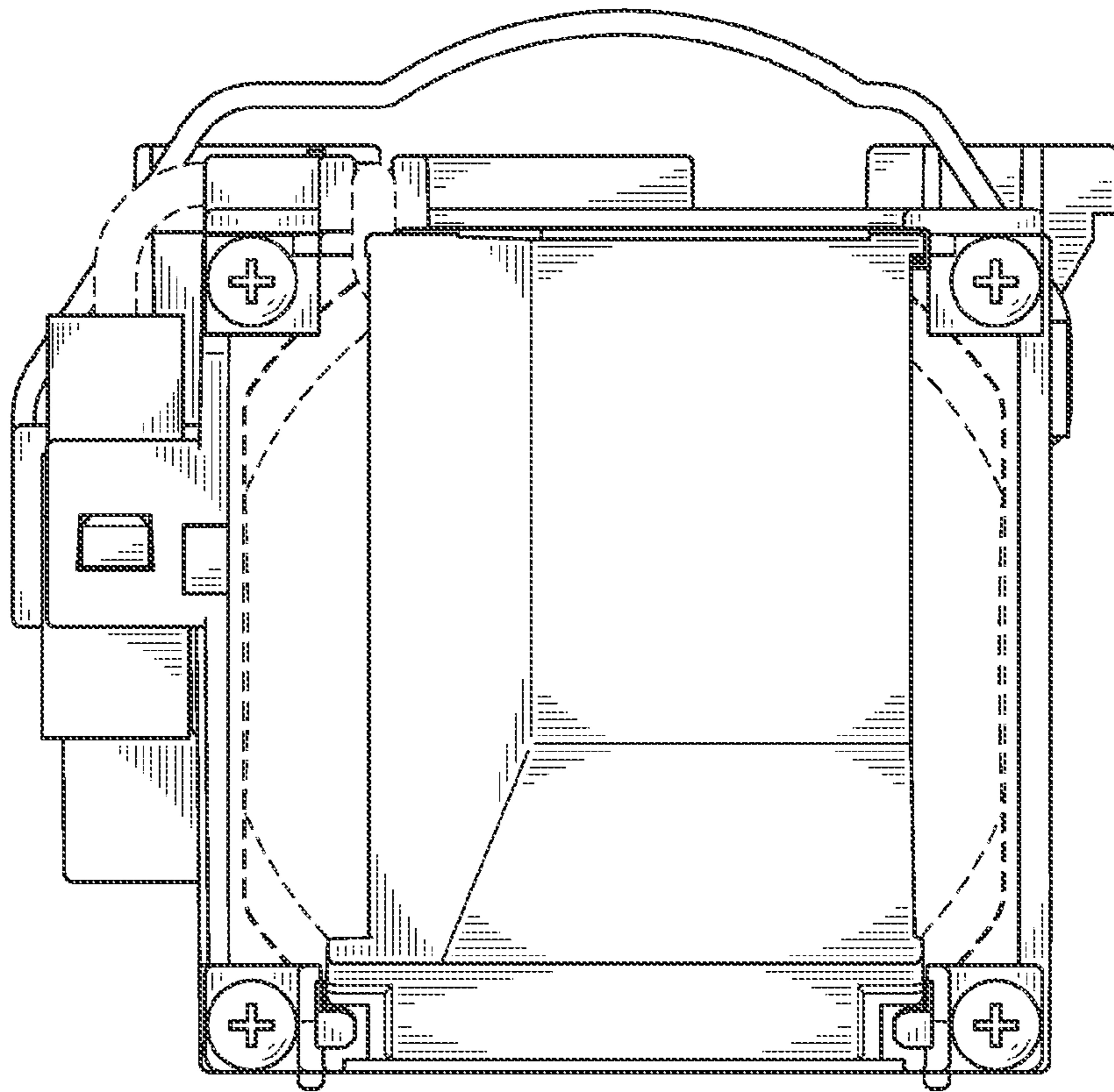


FIG. 4

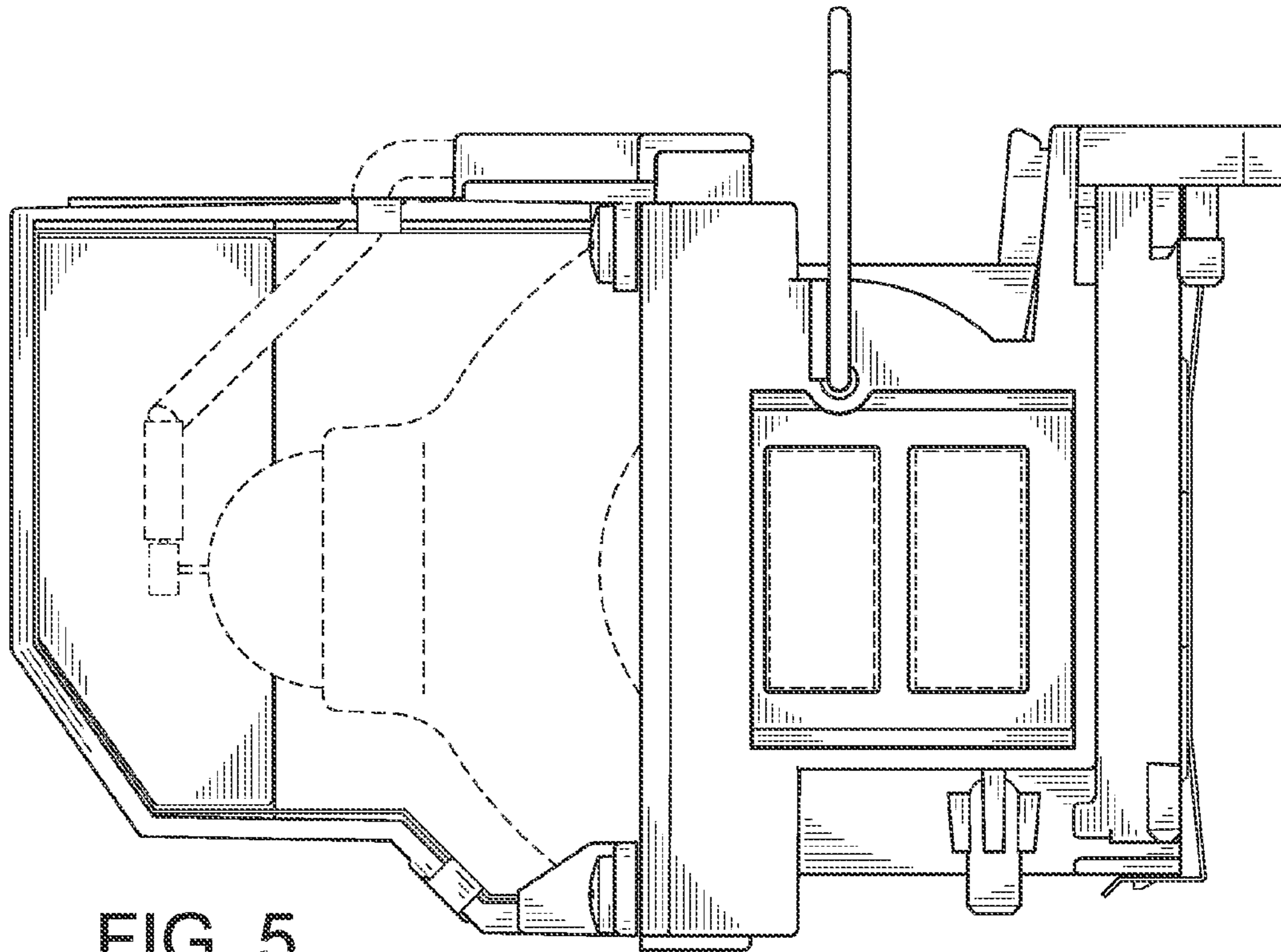


FIG. 5

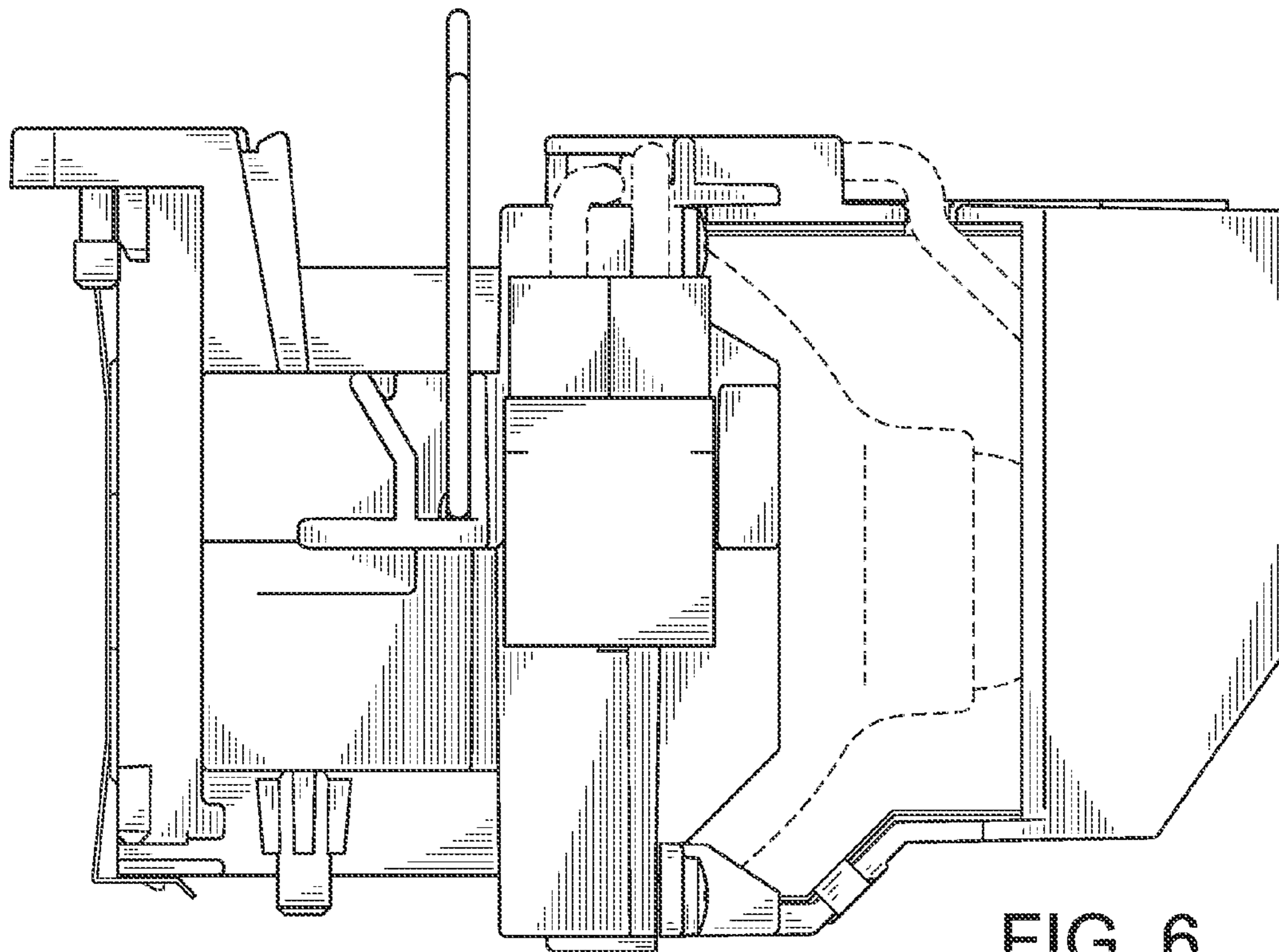


FIG. 6



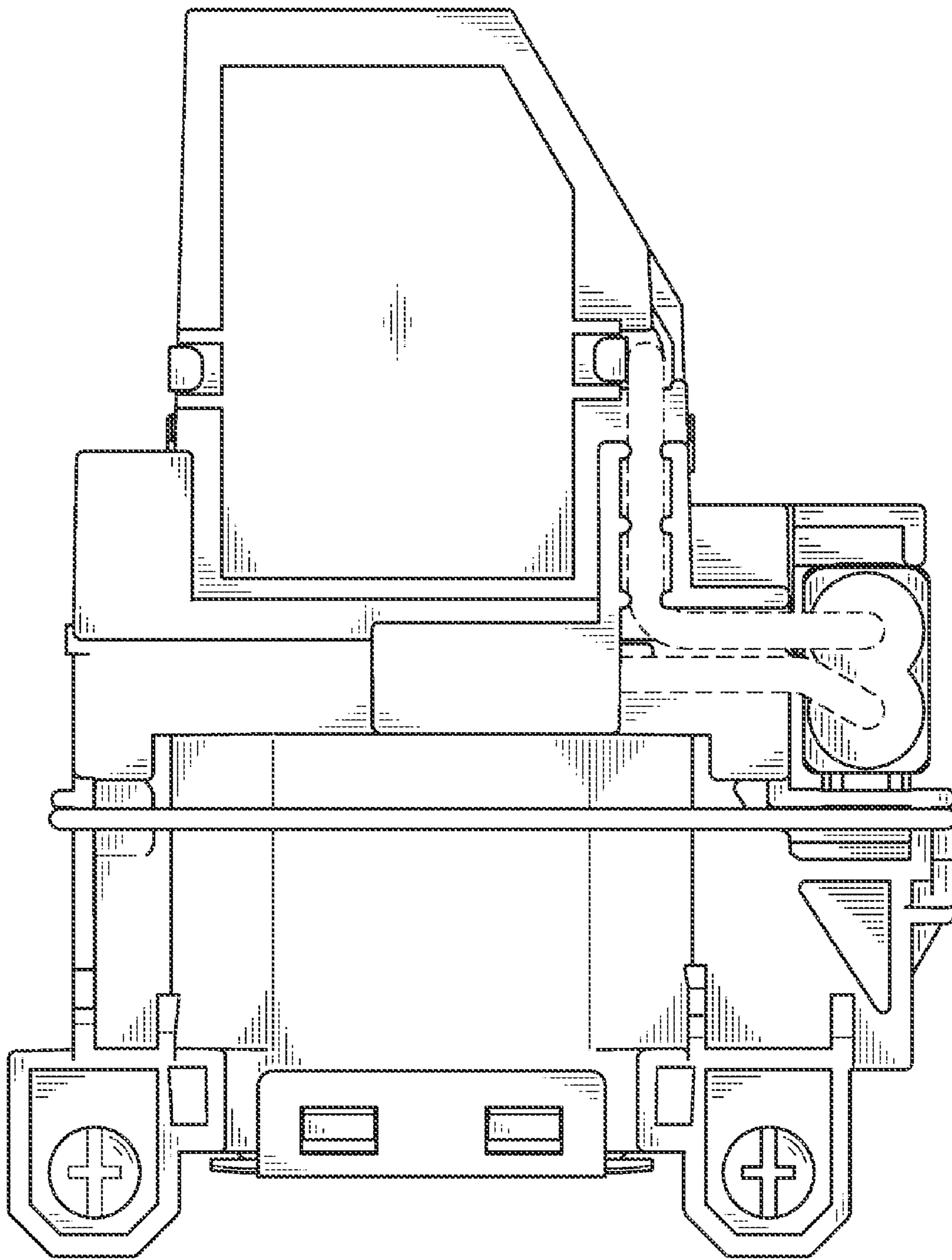


FIG. 7

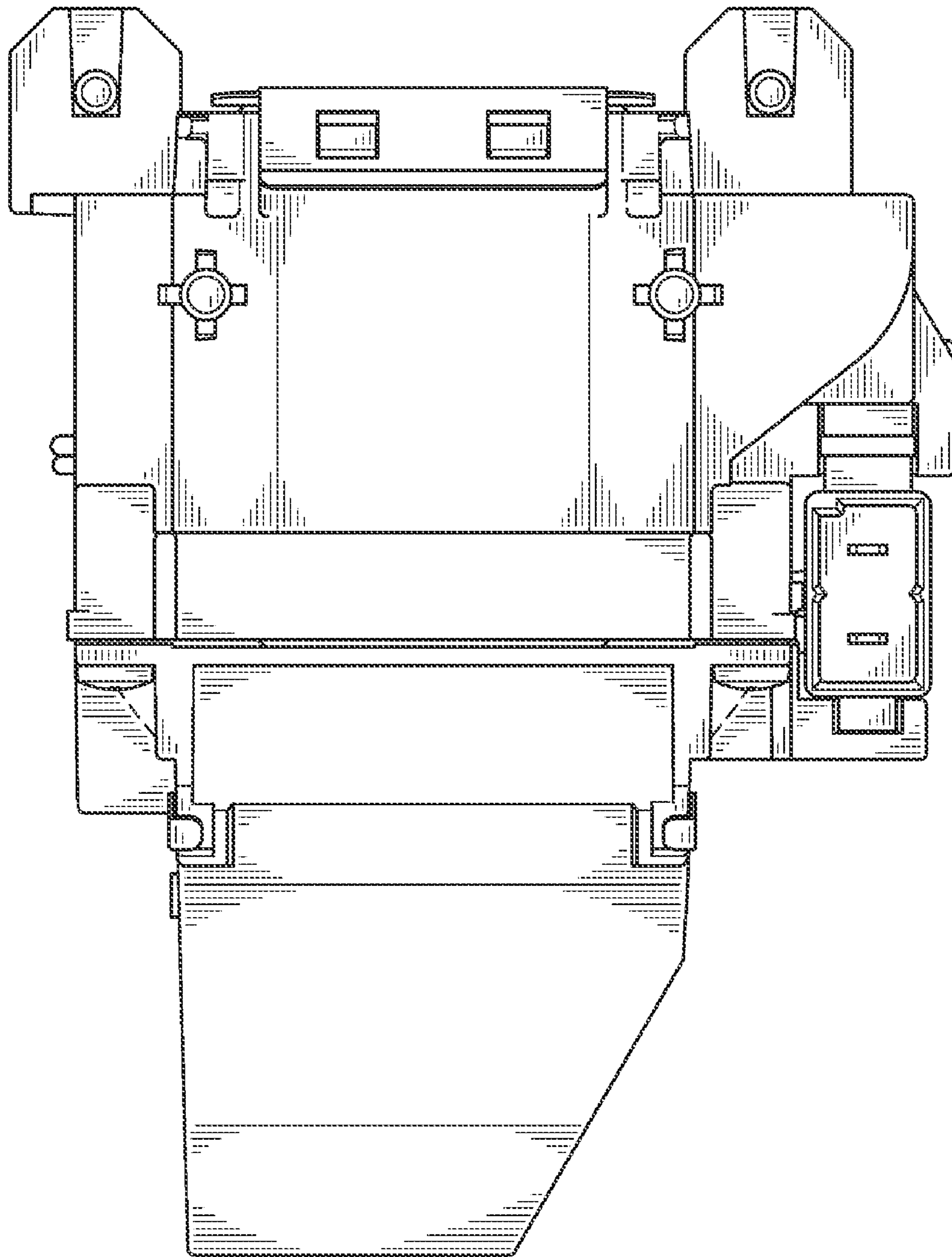


FIG. 8