



(12) **United States Design Patent**
Kellar et al.

(10) **Patent No.:** **US D589,996 S**
(45) **Date of Patent:** **** Apr. 7, 2009**

(54) **FLAT MOUNTED CAMERA**

(75) Inventors: **Kevin P. Kellar**, Austin, TX (US);
Patrick D. Vanderwilt, Austin, TX (US)

(73) Assignee: **LifeSize Communications, Inc.**, Austin,
TX (US)

(**) Term: **14 Years**

(21) Appl. No.: **29/303,339**

(22) Filed: **Feb. 7, 2008**

(51) **LOC (9) Cl.** **16-01**

(52) **U.S. Cl.** **D16/203; D16/242**

(58) **Field of Classification Search** D16/200–205,
D16/208, 211–213, 218, 242; 248/278.1;
348/143, 373–376; 358/906; 396/419, 427,
396/428, 535

See application file for complete search history.

(56) **References Cited**

U.S. PATENT DOCUMENTS

4,264,928 A	4/1981	Schober	
5,322,255 A	6/1994	Garrett	
5,374,971 A	12/1994	Clapp et al.	
5,486,853 A	1/1996	Baxter et al.	
5,515,099 A	5/1996	Cortjens et al.	
5,528,289 A	6/1996	Cortjens et al.	
5,537,157 A	7/1996	Washino et al.	
5,598,209 A	1/1997	Cortjens et al.	
5,612,733 A	3/1997	Flohr	
5,617,539 A	4/1997	Ludwig et al.	
5,633,681 A	5/1997	Baxter et al.	
5,689,641 A	11/1997	Ludwig et al.	
5,692,159 A	11/1997	Shand	
5,751,338 A	5/1998	Ludwig, Jr.	
5,821,987 A	10/1998	Larson	
D400,898 S *	11/1998	Phillips	D16/130
5,855,343 A	1/1999	Krekelberg	
5,900,907 A	5/1999	Malloy	
6,072,522 A	6/2000	Ippolito et al.	

6,239,841 B1	5/2001	Verstockt et al.	
D446,534 S *	8/2001	Zimmer	D16/203
6,356,308 B1	3/2002	Hovanky	
6,431,507 B2	8/2002	Prather et al.	
6,437,826 B1	8/2002	Arnold	
6,445,408 B1 *	9/2002	Watkins	348/148
6,481,681 B1	11/2002	Stunkel et al.	
D476,345 S	6/2003	Phelps et al.	
6,594,688 B2	7/2003	Ludwig et al.	
6,643,462 B2	11/2003	Harand et al.	

(Continued)

OTHER PUBLICATIONS

“A history of video conferencing (VC) technology” <http://web.archive.org/web/20030622161425/http://myhome.hanafos.com/~soonjp/vchx.html> (web archive dated Jun. 22, 2003); 5 pages.

(Continued)

Primary Examiner—Adir Aronovich
(74) *Attorney, Agent, or Firm*—Meyertons Hood Kivlin
Kowert & Goetzel, P.C.; Jeffrey C. Hood

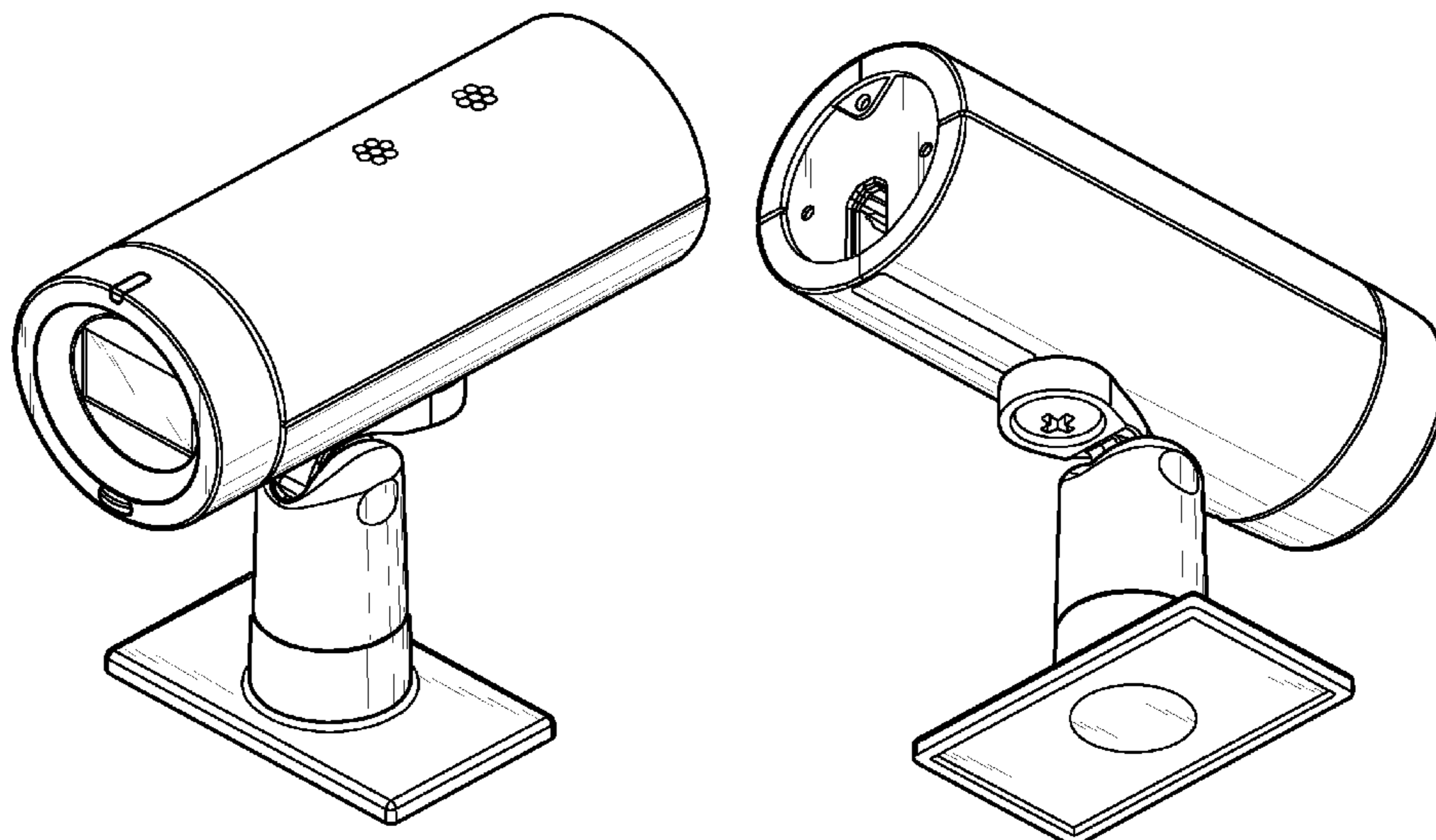
(57) **CLAIM**

The ornamental design for a flat mounted camera, as shown and described.

DESCRIPTION

FIG. 1 is a top, front and right side perspective view of a flat mounted camera showing our new design;
FIG. 2 is a bottom rear and left side perspective view thereof;
FIG. 3 is a rear elevational view thereof;
FIG. 4 is a front elevational view thereof;
FIG. 5 is a left side elevational view thereof;
FIG. 6 is a right side elevational view thereof;
FIG. 7 is a bottom plan view thereof; and,
FIG. 8 is a top plan view thereof.

1 Claim, 4 Drawing Sheets



US D589,996 S

Page 2

U.S. PATENT DOCUMENTS

6,663,066 B1 12/2003 Hong
6,679,463 B1 1/2004 Chen
6,679,467 B1 * 1/2004 Softness 248/278.1
D487,475 S 3/2004 Uehara
6,724,619 B2 4/2004 Kwong et al.
6,731,334 B1 5/2004 Maeng et al.
6,731,340 B1 5/2004 Lai
6,738,094 B1 5/2004 Minami et al.
6,809,358 B2 10/2004 Hsieh et al.
6,816,904 B1 11/2004 Ludwig et al.
D500,511 S 1/2005 Sybilrud
6,845,954 B1 1/2005 Moayer et al.
6,850,265 B1 2/2005 Strubbe et al.
D509,842 S 9/2005 Ou
6,947,093 B2 9/2005 Yanakawa et al.
D510,374 S * 10/2005 Greenwood et al. D16/203
D510,589 S 10/2005 Andre et al.
6,970,202 B1 11/2005 Glogan et al.
6,980,485 B2 12/2005 McCaskill
7,038,709 B1 5/2006 Verghese
7,046,295 B2 5/2006 Hovanky
7,048,454 B2 5/2006 Sitoh et al.
7,066,664 B1 6/2006 Sitoh et al.
D536,719 S 2/2007 Lukic et al.
7,202,903 B2 4/2007 Lin et al.
7,202,904 B2 4/2007 Wei
7,219,866 B2 5/2007 Depay et al.
D571,839 S 6/2008 Andresen
7,397,495 B2 7/2008 Girish et al.
D577,049 S * 9/2008 Lau et al. D16/203

2004/0001137 A1 1/2004 Cutler et al.
2004/0183897 A1 9/2004 Kenoyer et al.
2004/0257432 A1 12/2004 Girish et al.
2006/0088308 A1 4/2006 Kenoyer et al.
2006/0170817 A1 8/2006 Wu

OTHER PUBLICATIONS

“MediaMax Operations Manual”; May 1992; 342 pages; VideoTelecom; Austin, TX.
“MultiMax Operations Manual”; Nov. 1992; 135 pages; VideoTelecom; Austin, TX.
Cutler, Ross, et al., “Distributed Meetings: A Meeting Capture and Broadcasting System”; Multimedia '02; Dec. 2002; 10 pages; Microsoft Research; Redmond, WA.
P. H. Down; “Introduction to Videoconferencing”; <http://www.video.ja.net/intro/>; 2001; 26 pages.
Peter Meyers; “Adding Eye Contact to Your Web Chats”; The New York Times; Sep. 4, 2003; 5 pages.
“Polycom Executive Collection”; Jun. 2003; 4 pages; Polycom, Inc.; Pleasanton, CA.
U.S. Appl. No. 29/303,335, entitled “Camera Stand”, by Kevin P. Kellar, filed Feb. 7, 2008.
U.S. Appl. No. 29/303,331, entitled “Mountable Camera”, by Kevin P. Kellar and Patrick D. Vanderwilt, filed Feb. 7, 2008.
“QuickCam Chat Screenshot”, http://www.logitech.com/index.cfm/webcam_communications/webcams/devices/281&cl=us,en, accessed prior to Aug. 16, 2007, 1 page.
“Creative Screenshot”, <http://us.creative.com/products>, accessed prior to Aug. 16, 2007, 1 page.

* cited by examiner

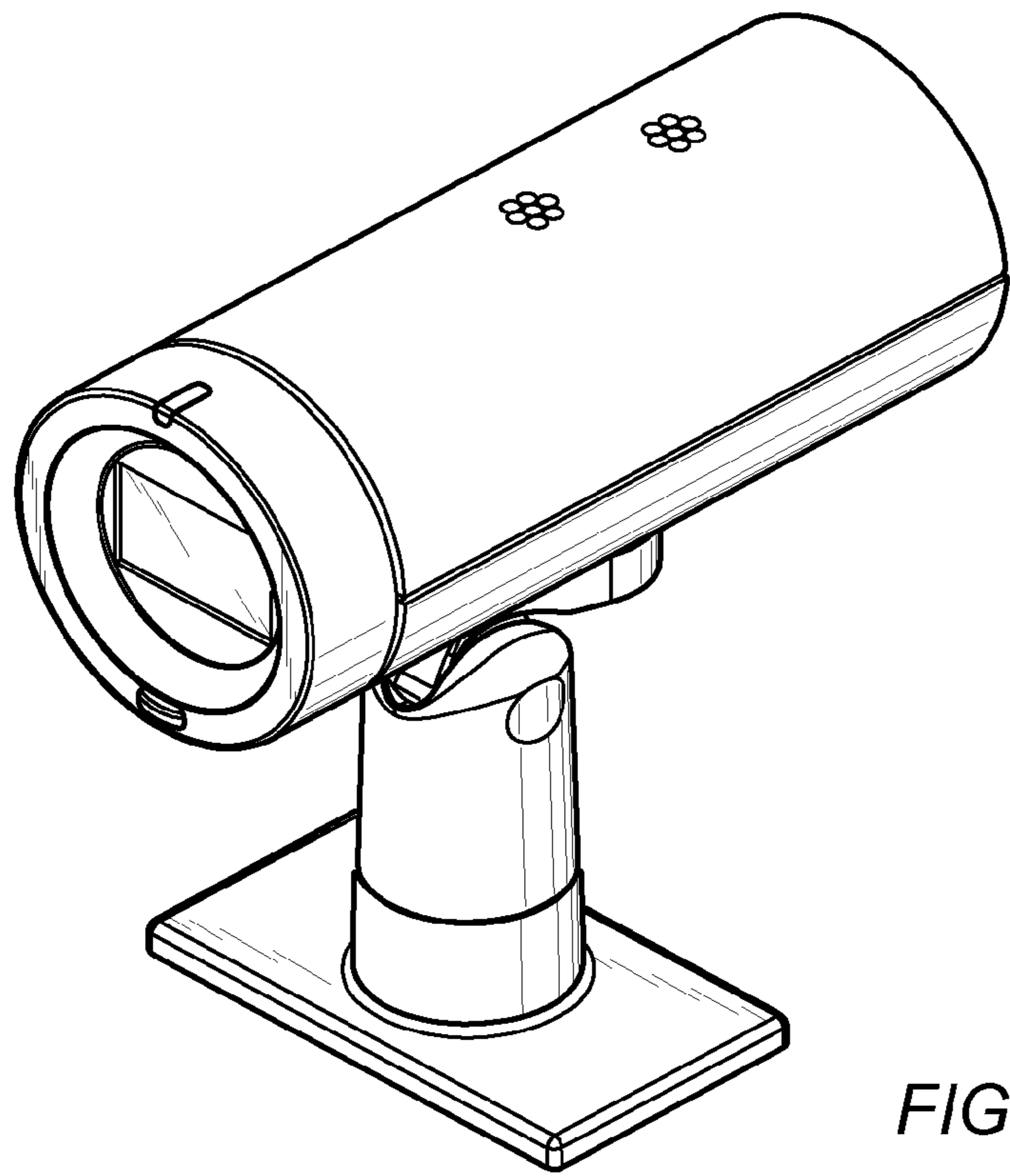


FIG. 1

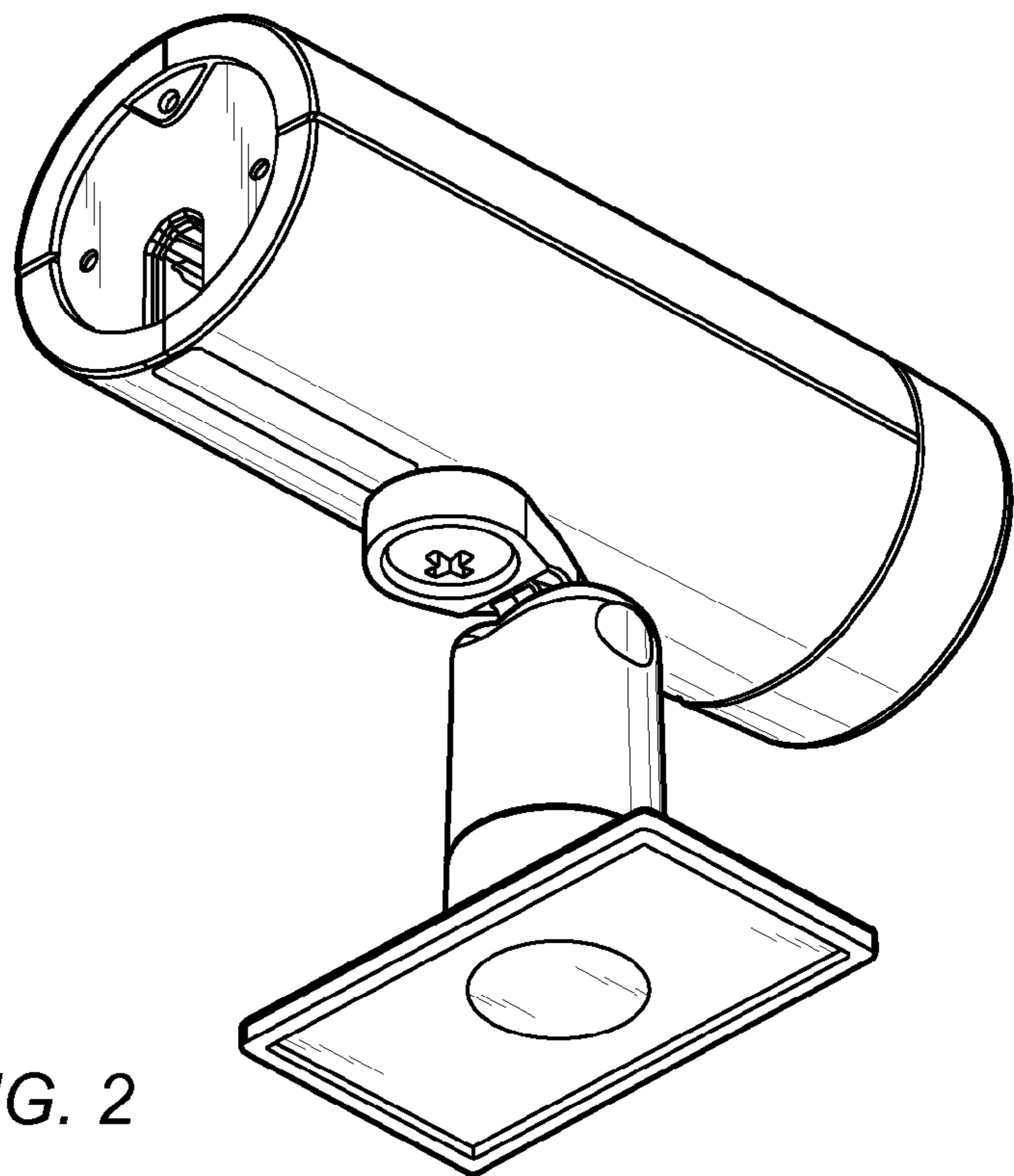


FIG. 2

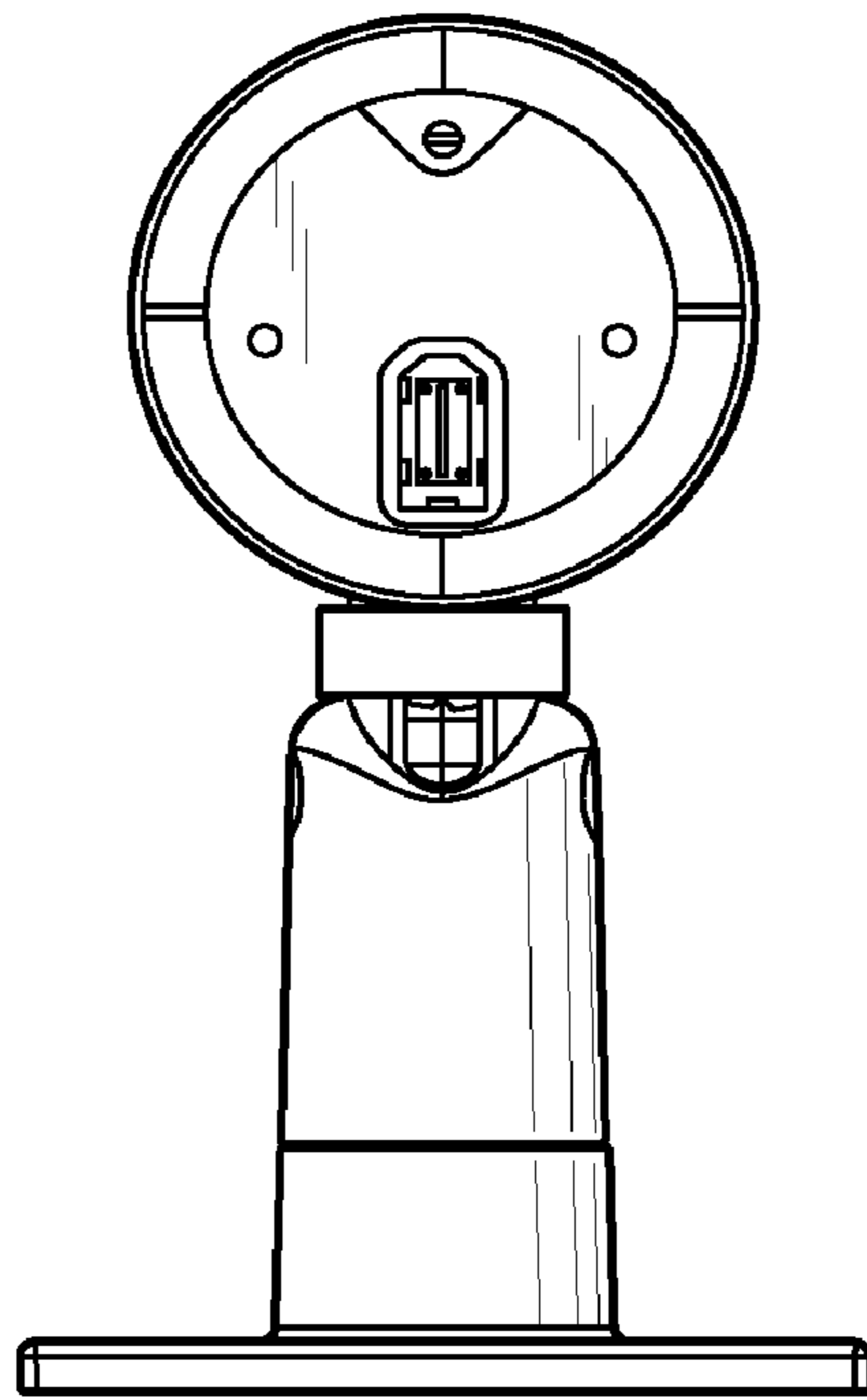


FIG. 3

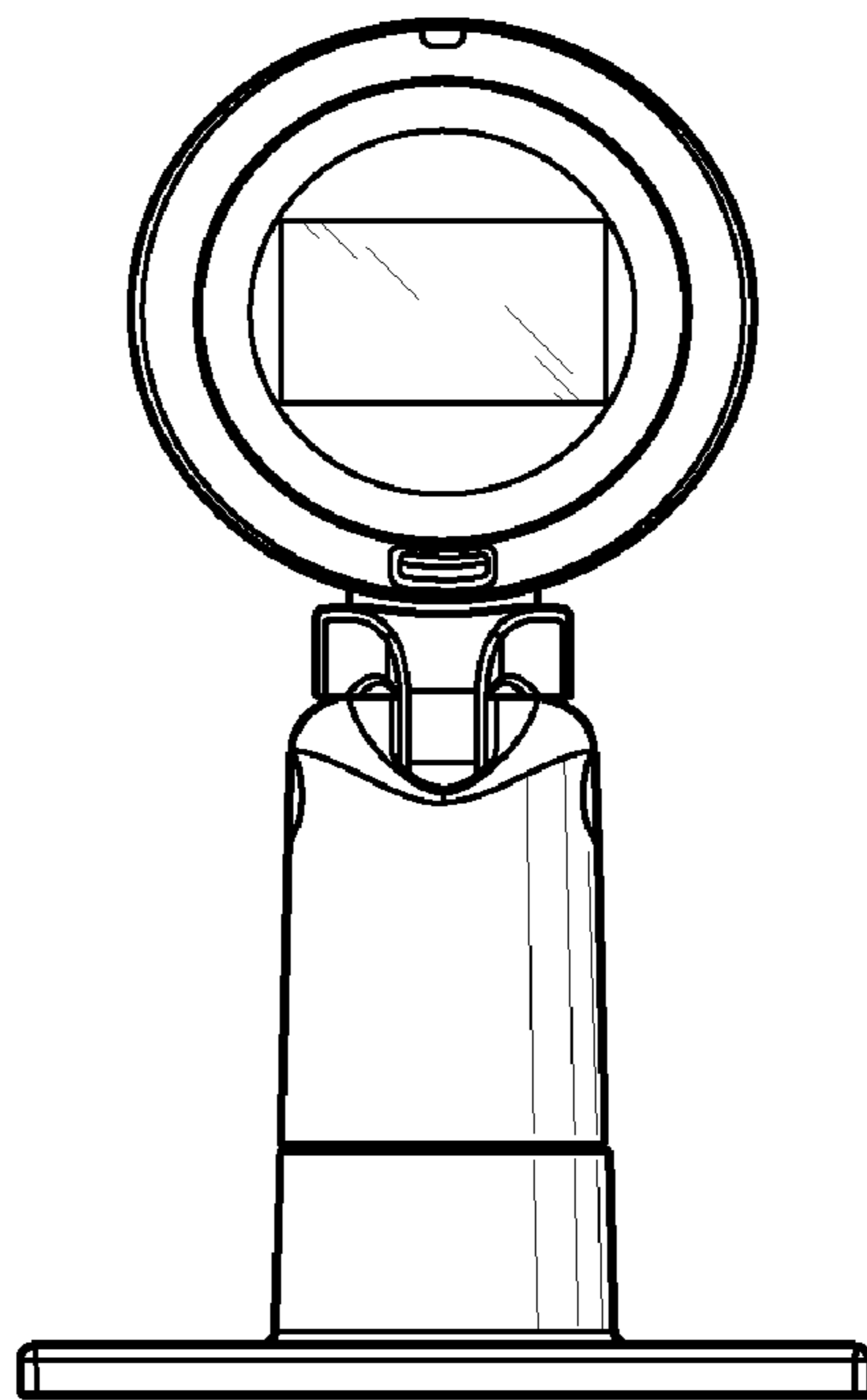


FIG. 4

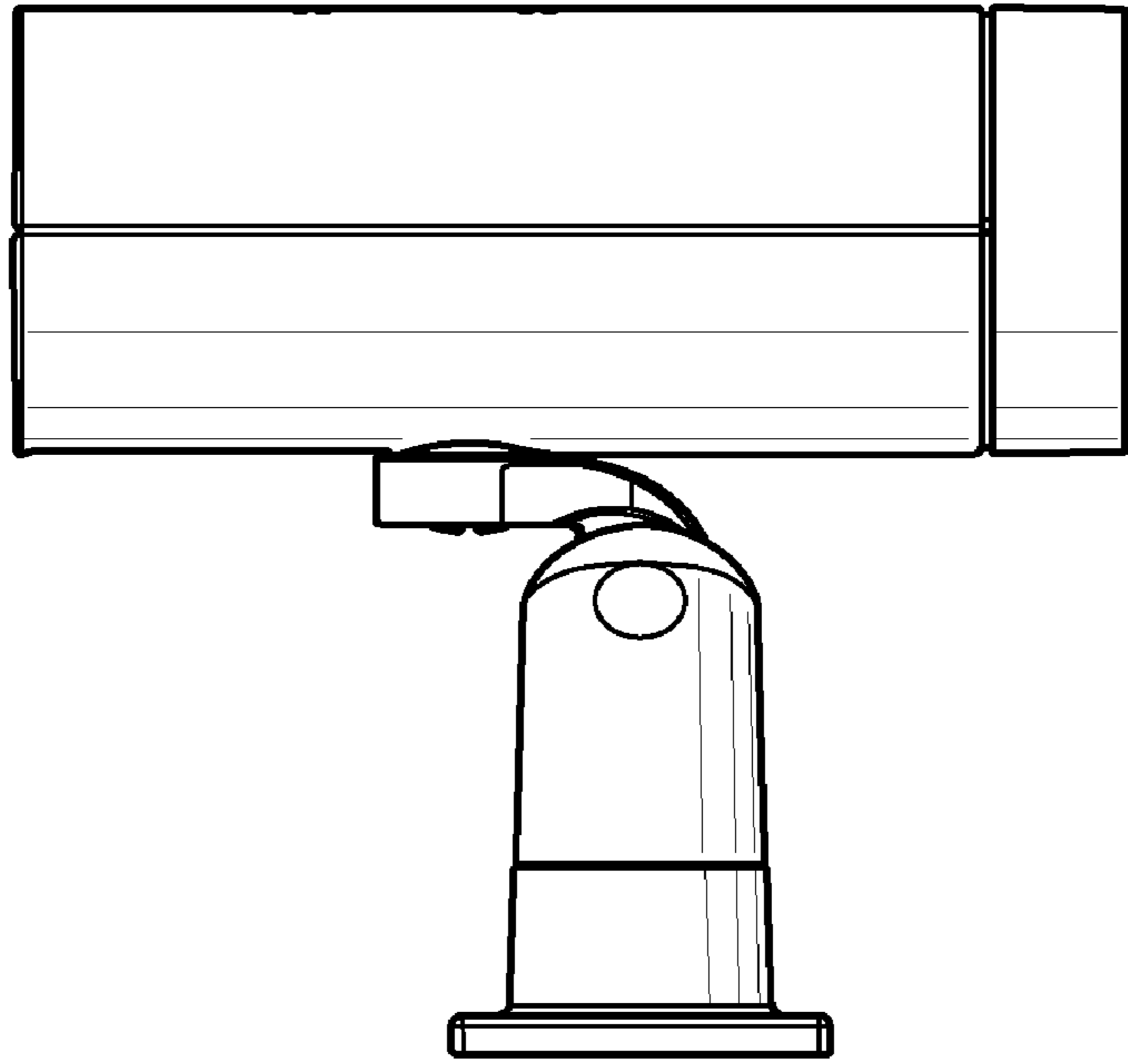


FIG. 5

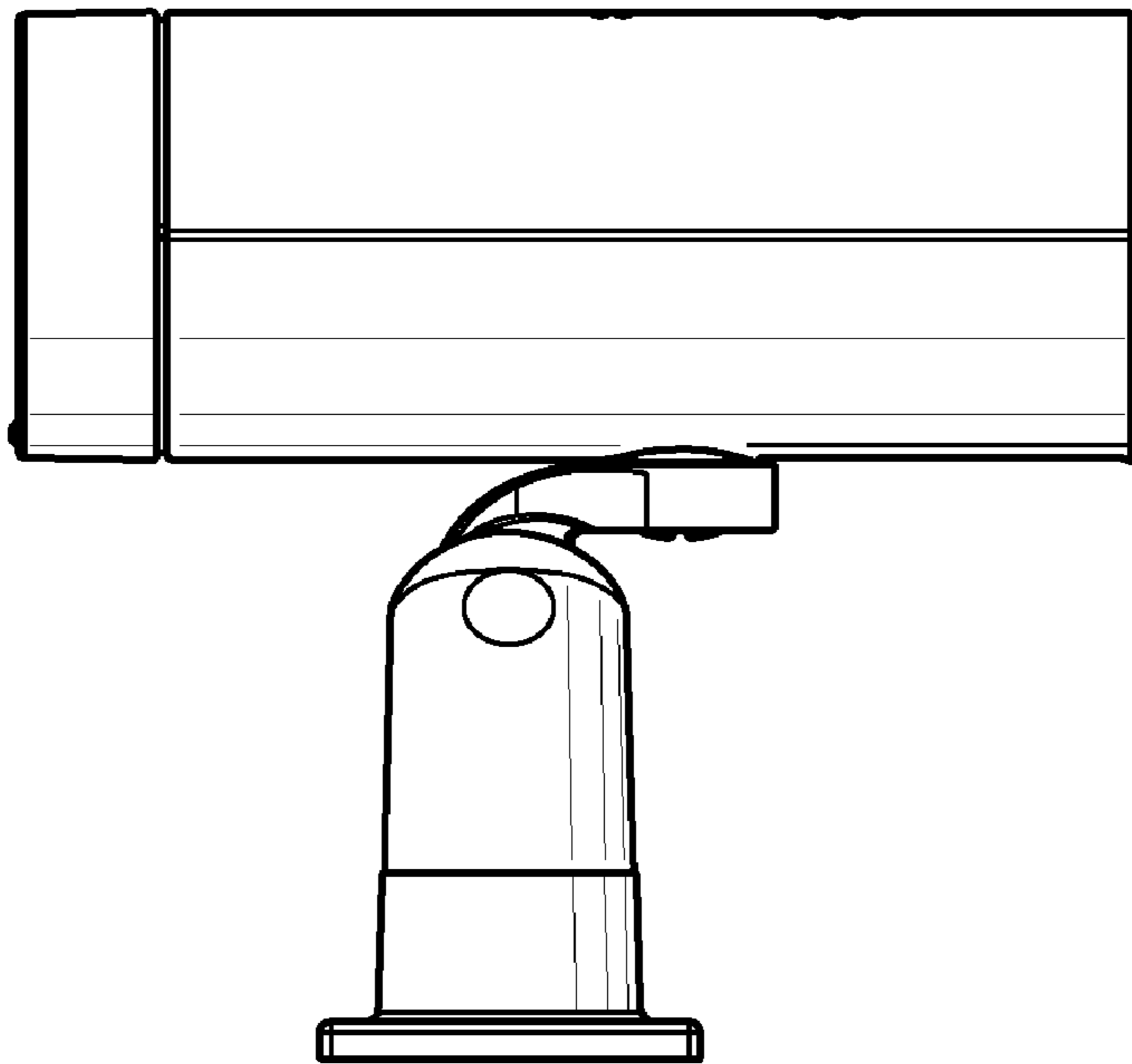


FIG. 6

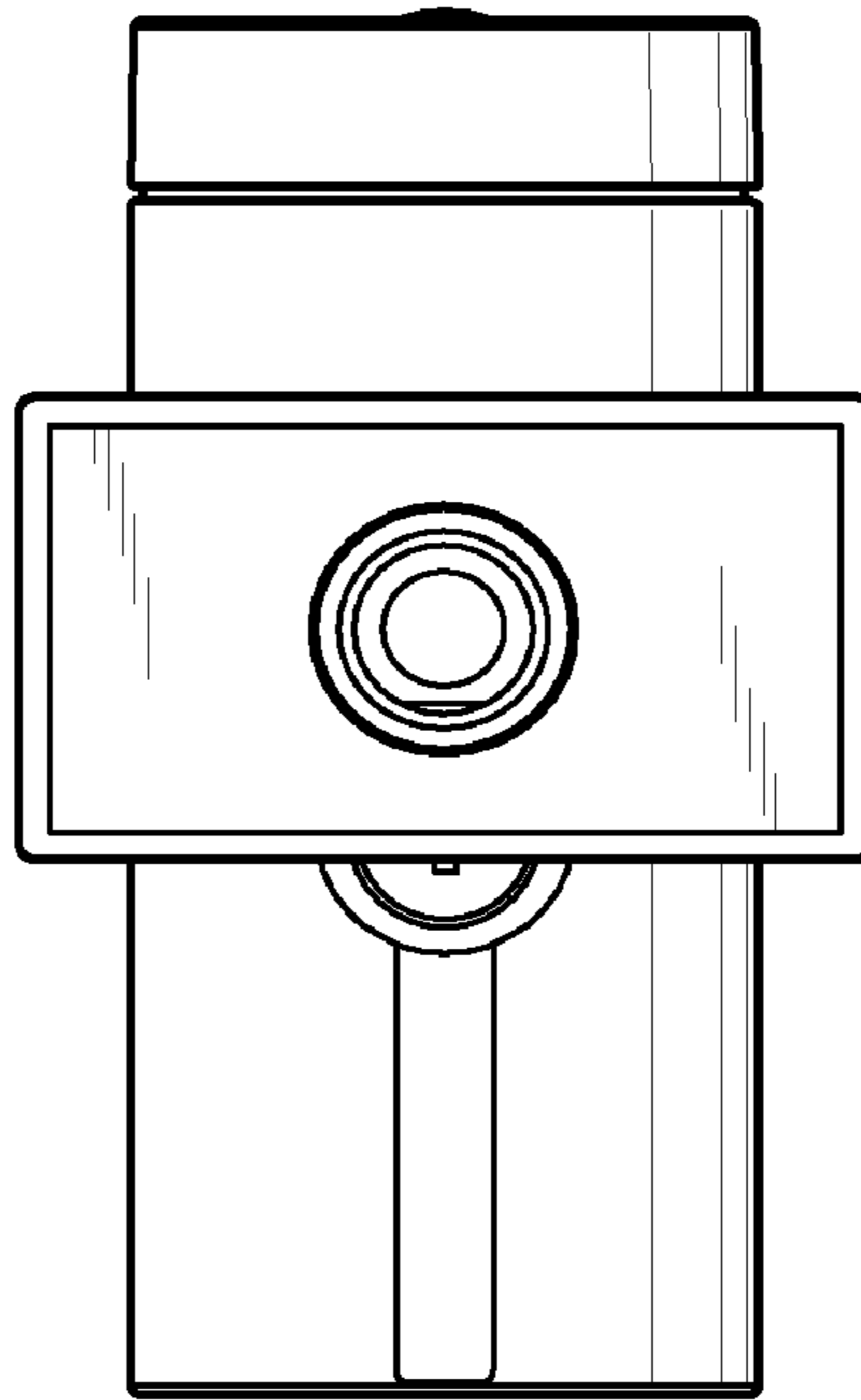


FIG. 7

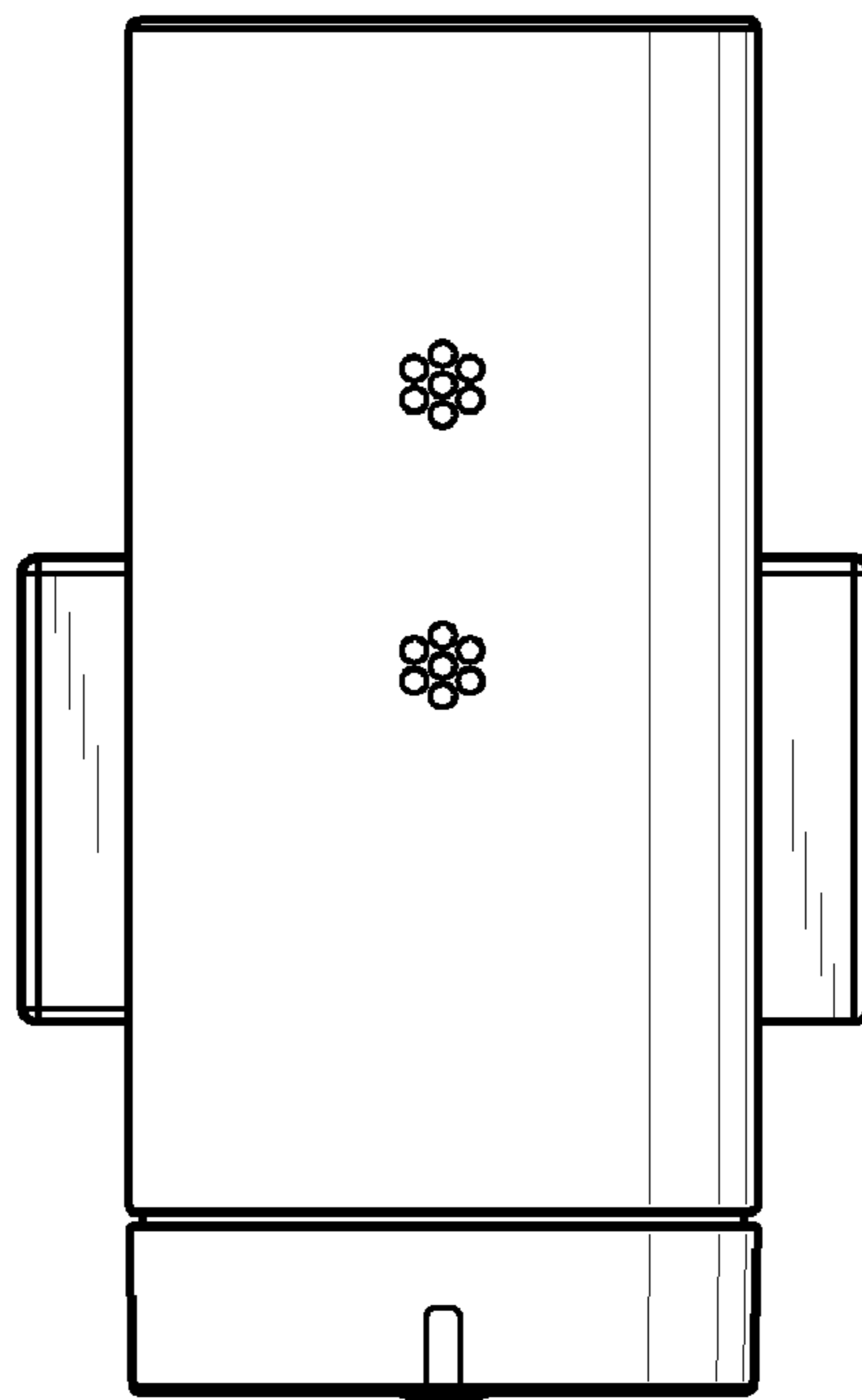


FIG. 8