



US00D589992S

(12) **United States Design Patent**
Murphy

(10) **Patent No.:** **US D589,992 S**

(45) **Date of Patent:** **** Apr. 7, 2009**

(54) **SCREENING APPARATUS**

2007/0102326 A1* 5/2007 Smith et al. 209/241

(75) Inventor: **Glen P. Murphy**, Lurgan (GB)

* cited by examiner

(73) Assignee: **Powerscreen International Distribution Limited**, Dungannon (GB)

Primary Examiner—Sandra Snapp
Assistant Examiner—Patricia Palasik

(**) Term: **14 Years**

(74) *Attorney, Agent, or Firm*—Van Dyke, Gardner, Linn & Burkhardt, LLP

(21) Appl. No.: **29/282,719**

(57) **CLAIM**

(22) Filed: **Jul. 27, 2007**

The ornamental design for a screening apparatus, as shown and described.

(30) **Foreign Application Priority Data**

DESCRIPTION

Mar. 1, 2007 (EM) 000680814

(51) **LOC (9) Cl.** **15-09**

(52) **U.S. Cl.** **D15/147**

(58) **Field of Classification Search** D15/19,
D15/21, 22, 24, 122, 123, 147, 199; 171/14,
171/15, 24, 123, 143; 209/240, 247, 257,
209/317, 320, 412, 420, 421

See application file for complete search history.

FIG. 1 is a front perspective view of the screening apparatus showing my new design;

FIG. 2 is a rear perspective view of the screening apparatus of FIG. 1;

FIG. 3 is a left-side elevation view of FIG. 1;

FIG. 4 is a right-side elevation view of FIG. 1;

FIG. 5 is a top plan view of FIG. 1;

FIG. 6 is a front elevation view of FIG. 1;

FIG. 7 is a rear elevation view of FIG. 1;

FIG. 8 is an enlarged view of the area designated 8 in FIG. 1; and,

FIG. 9 is an enlarged view of the area designated 9 in FIG. 1.

A bottom view of the screening apparatus constitutes no part of the claimed design.

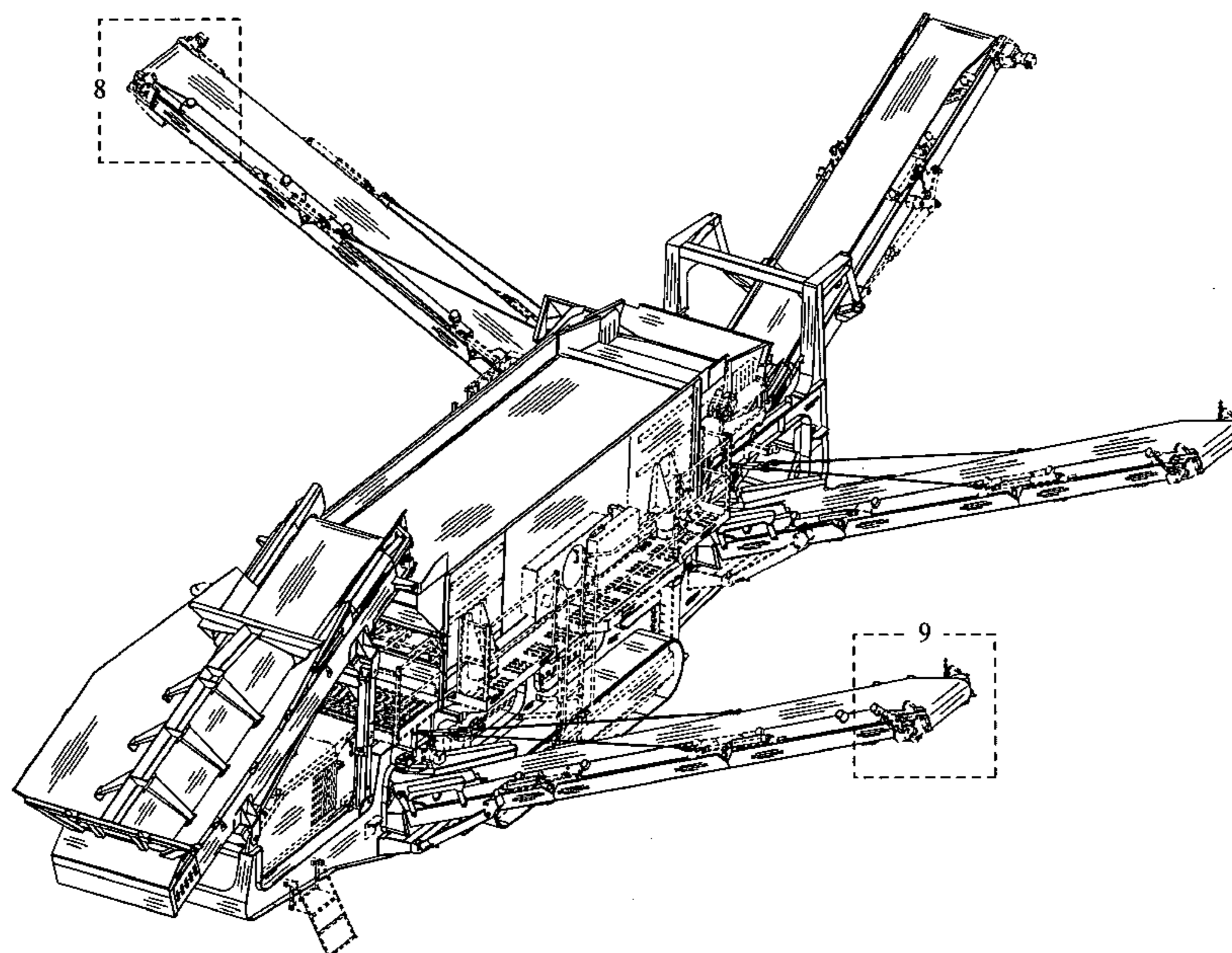
The broken lines are included for the purpose of illustrating portions of the screening apparatus that form no part of the claimed design.

(56) **References Cited**

U.S. PATENT DOCUMENTS

2,734,730	A *	2/1956	Talboys	209/421
5,234,564	A *	8/1993	Smith	209/317
D375,752	S *	11/1996	Douglas	D15/147
6,098,812	A *	8/2000	Douglas	209/420
6,698,594	B2 *	3/2004	Cohen et al.	209/421
6,726,025	B1 *	4/2004	Huskey	209/421
D549,755	S *	8/2007	Wietgreffe et al.	D15/199
7,273,150	B2 *	9/2007	Fridman et al.	209/241
2005/0045052	A1 *	3/2005	Cohen et al.	100/104
2006/0237346	A1 *	10/2006	Fridman et al.	209/420
2007/0051669	A1 *	3/2007	Mandrell et al.	209/240

1 Claim, 8 Drawing Sheets



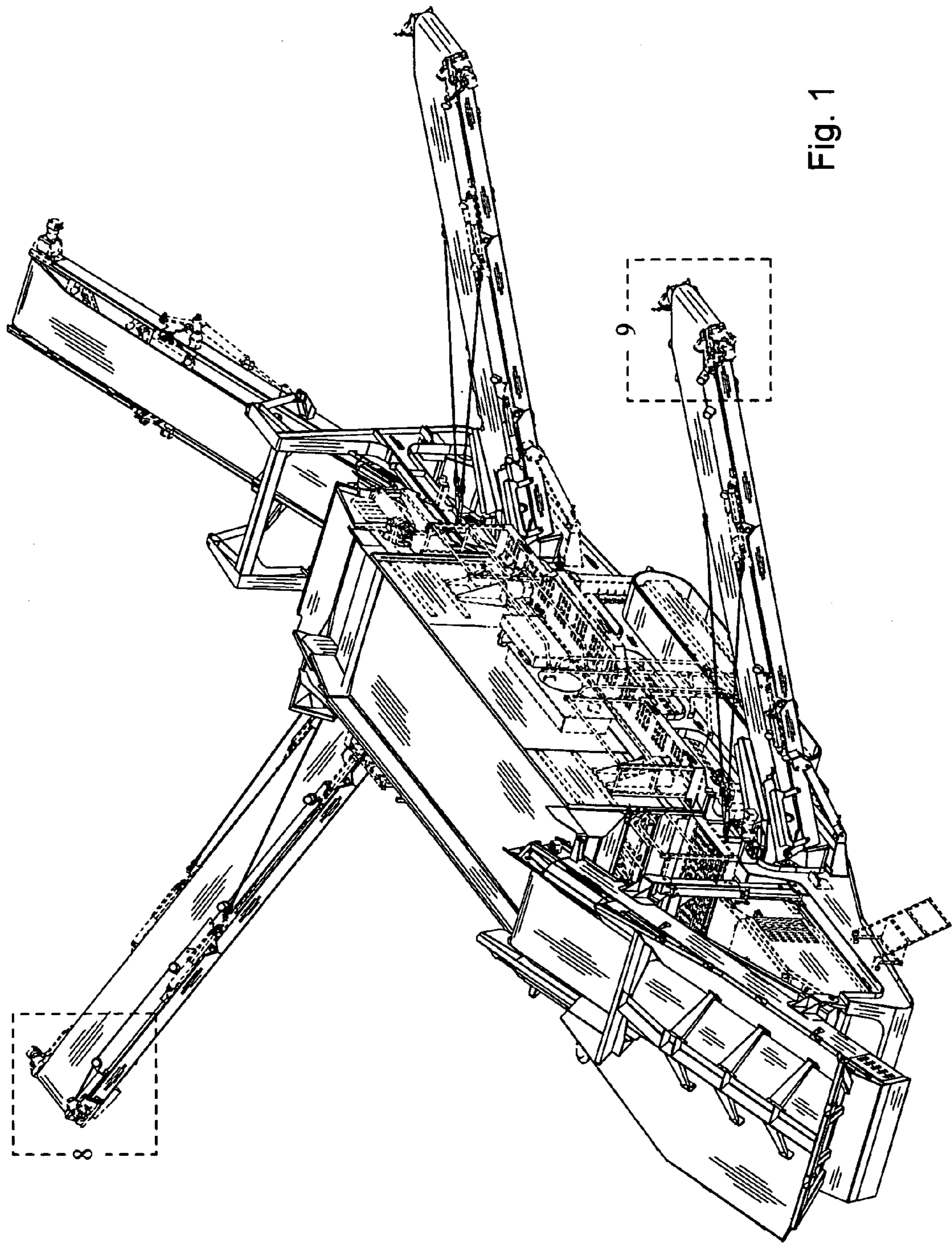


Fig. 1

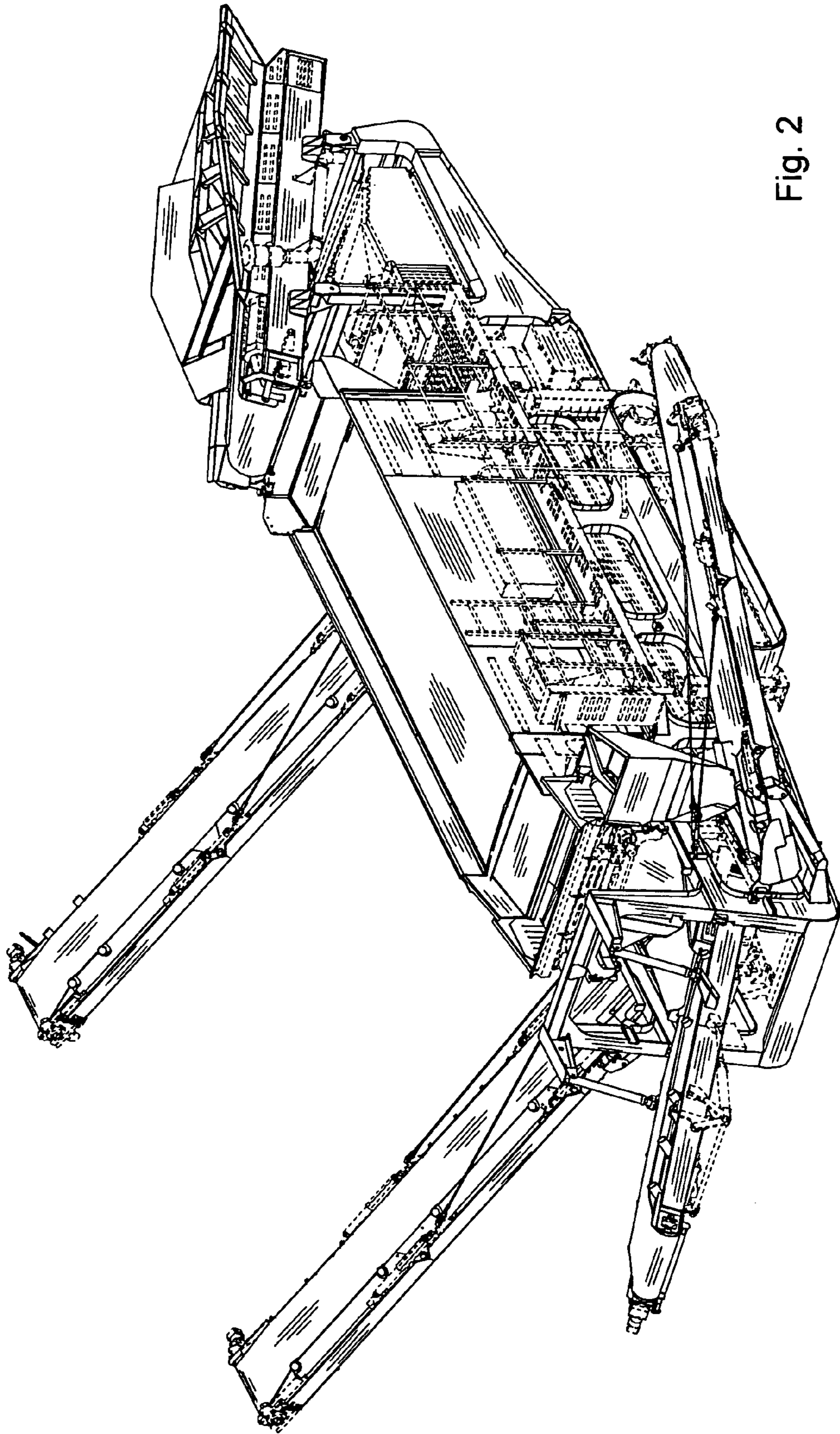


Fig. 2

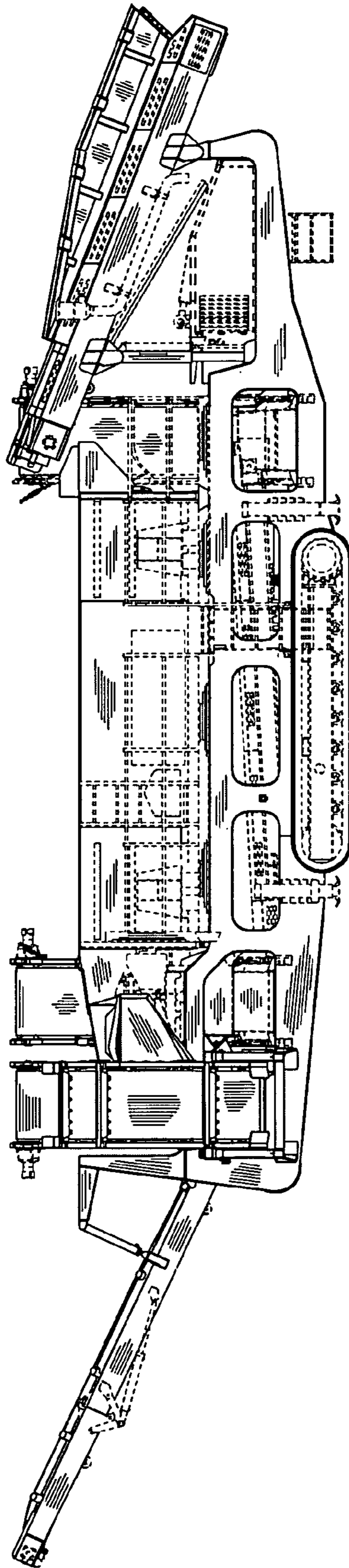


Fig. 3

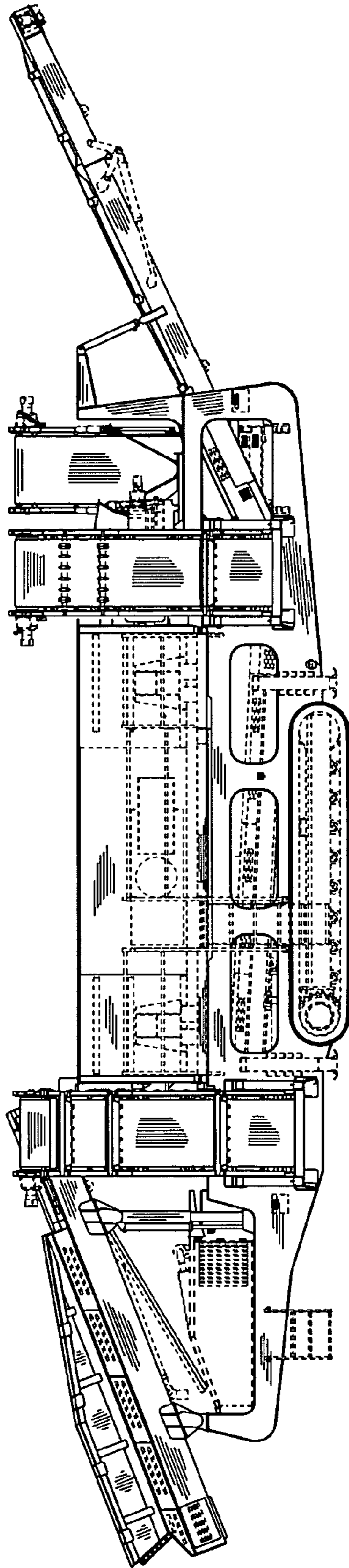


Fig. 4

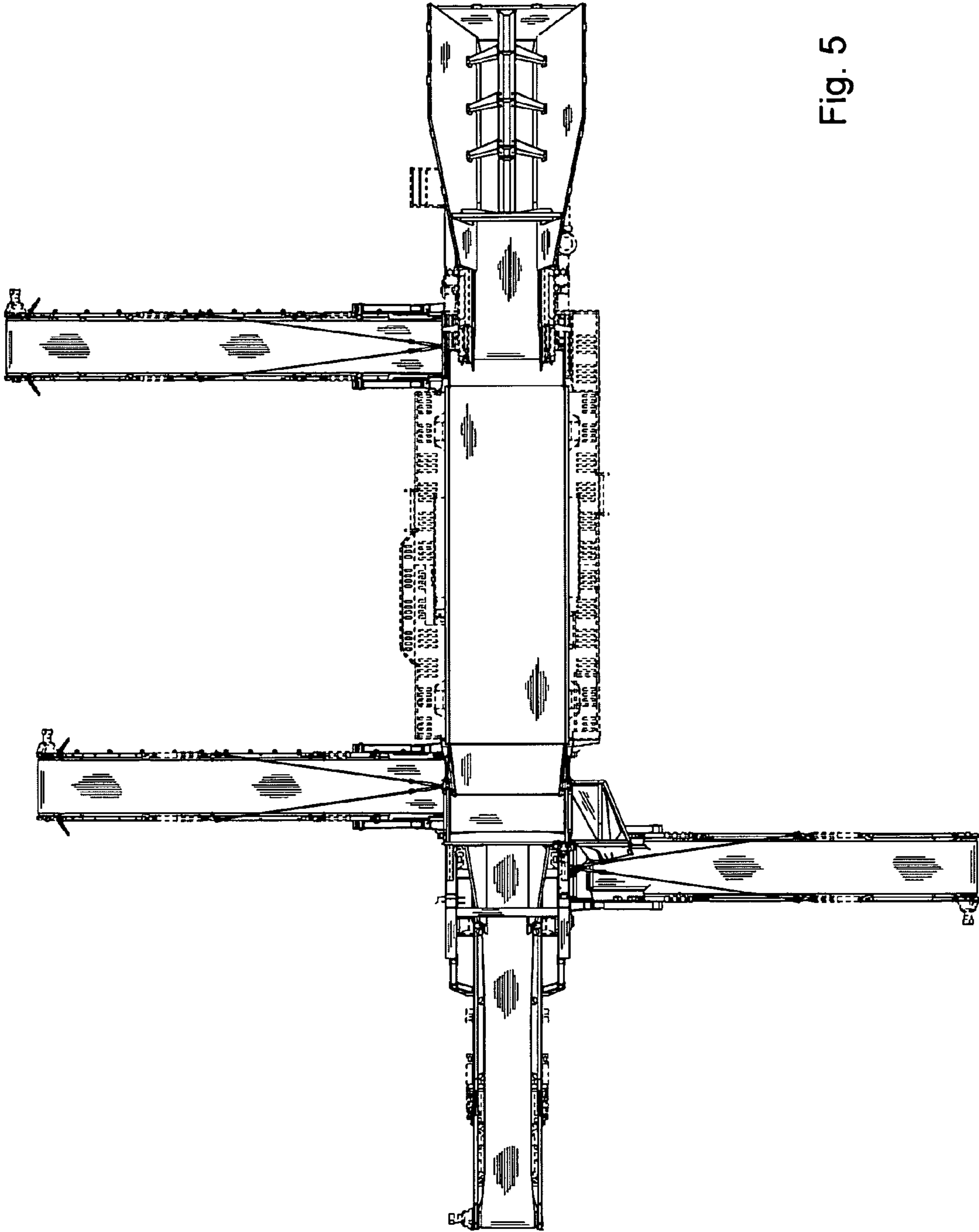


Fig. 5

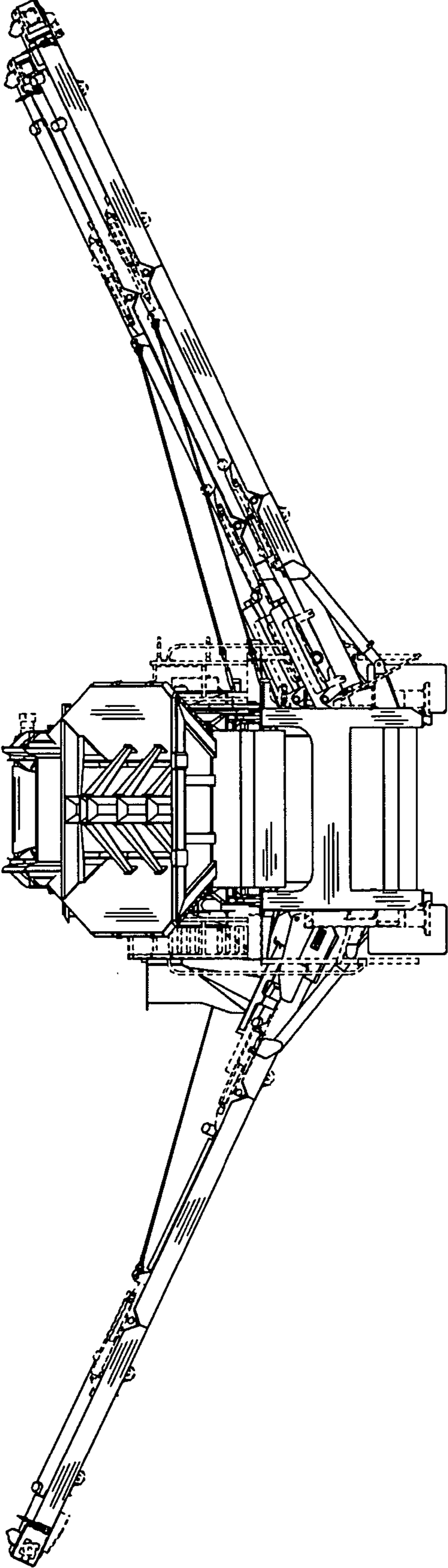


Fig. 6

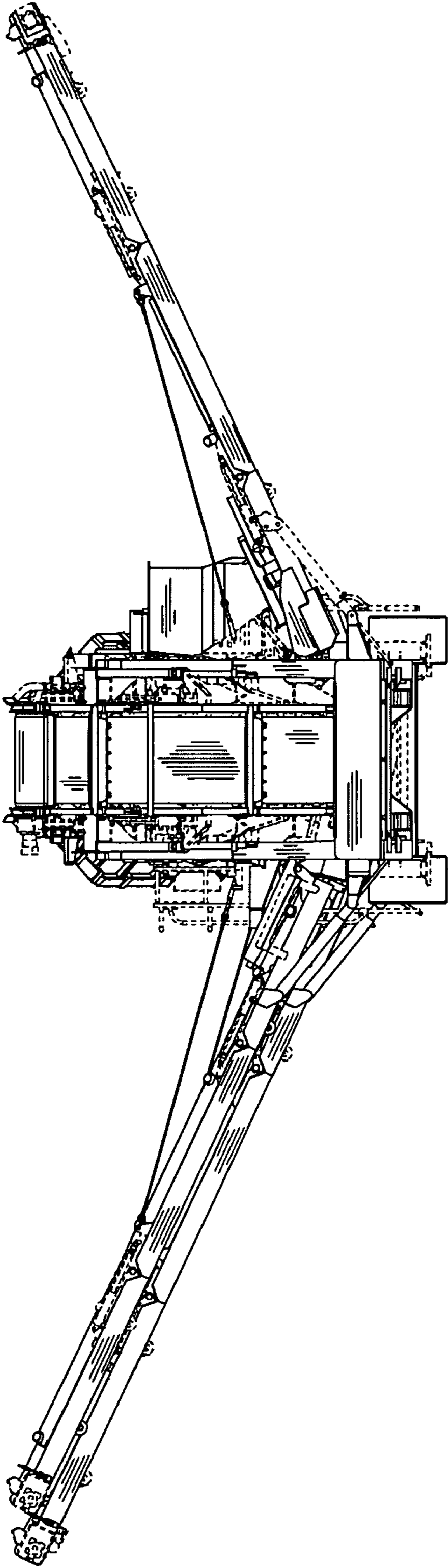


Fig. 7

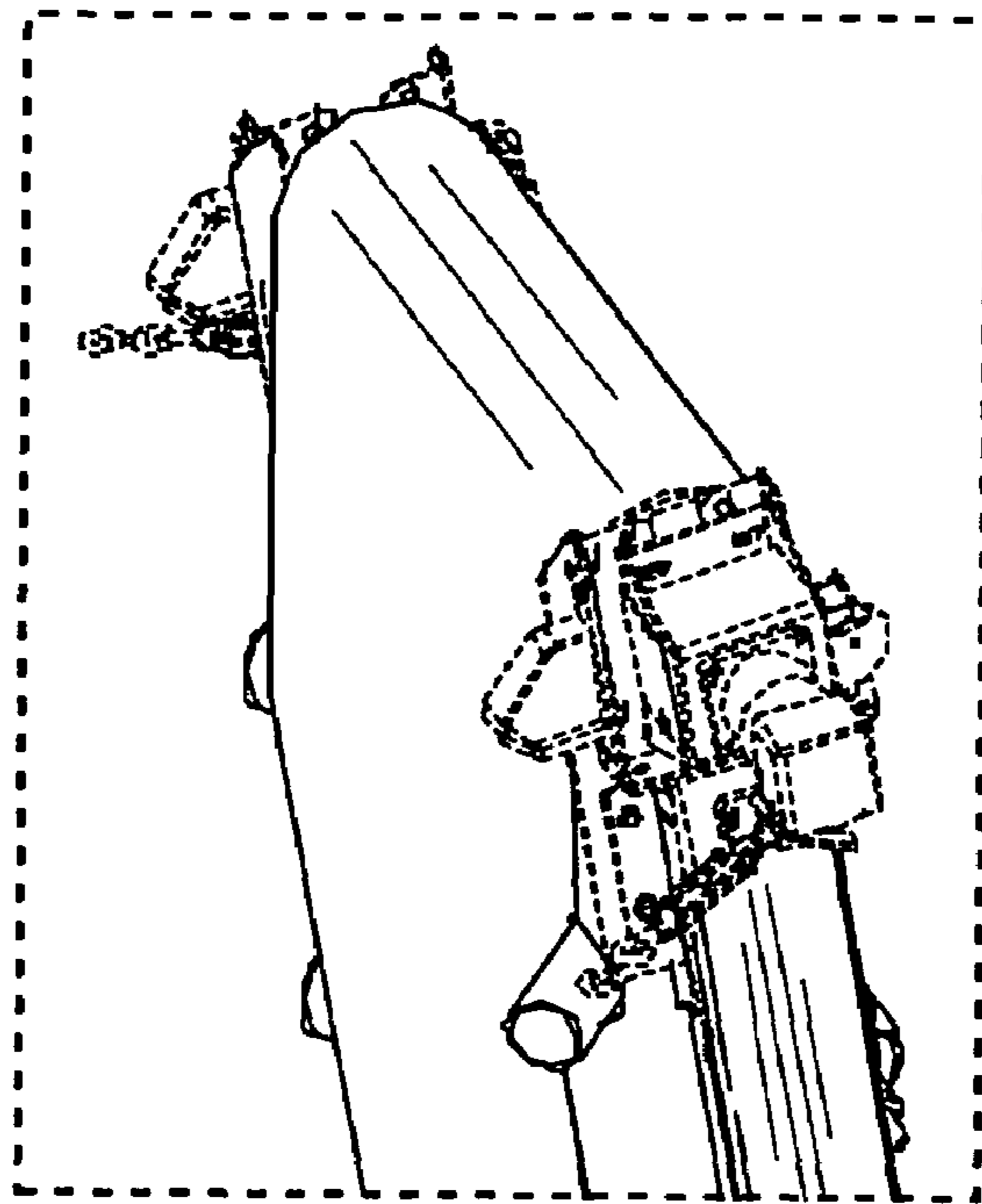


Fig. 9

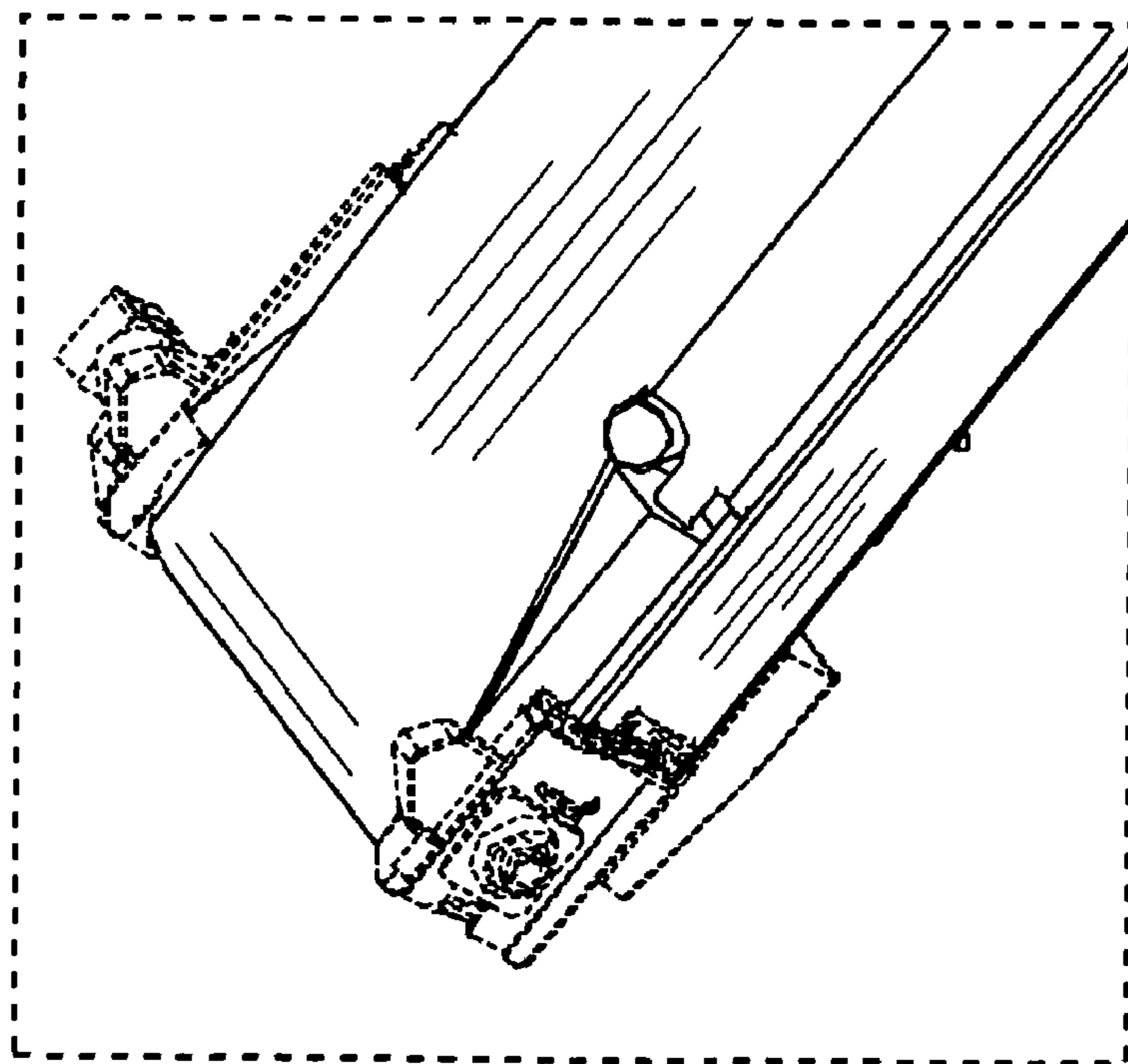


Fig. 8