



US00D589991S

(12) **United States Design Patent**  
**Chen**

(10) **Patent No.:** **US D589,991 S**

(45) **Date of Patent:** **\*\* Apr. 7, 2009**

(54) **ACTUATOR**

D517,105 S \* 3/2006 Negishi ..... D15/199  
D523,880 S \* 6/2006 Christensen et al. .... D15/143

(75) Inventor: **Chien-Chih Chen**, Taichung (TW)

\* cited by examiner

(73) Assignee: **Hiwin Mikrosystems Corp.**, Taichung (TW)

*Primary Examiner*—Patricia Palasik

(74) *Attorney, Agent, or Firm*—Charles E. Baxley

(\*\*) Term: **14 Years**

(57) **CLAIM**

(21) Appl. No.: **29/307,894**

The ornamental design for an actuator, as shown and described.

(22) Filed: **May 19, 2008**

(51) **LOC (9) Cl.** ..... **15-09**

(52) **U.S. Cl.** ..... **D15/143**

(58) **Field of Classification Search** ..... D13/147,  
D13/148, 158; D15/5, 143, 148, 199; D23/233;  
74/89.15, 490.09, 411.5; 297/14, 325, 327;  
310/20, 80; 319/80; 414/560–569

See application file for complete search history.

**DESCRIPTION**

FIG. 1 is a frontal, downward, rightward perspective view of an actuator showing my design thereof;

FIG. 2 is a front elevational view thereof;

FIG. 3 is a rear elevational view thereof;

FIG. 4 is a left side elevational view thereof;

FIG. 5 is a right side elevational view thereof; and,

FIG. 6 is a top plan view thereof.

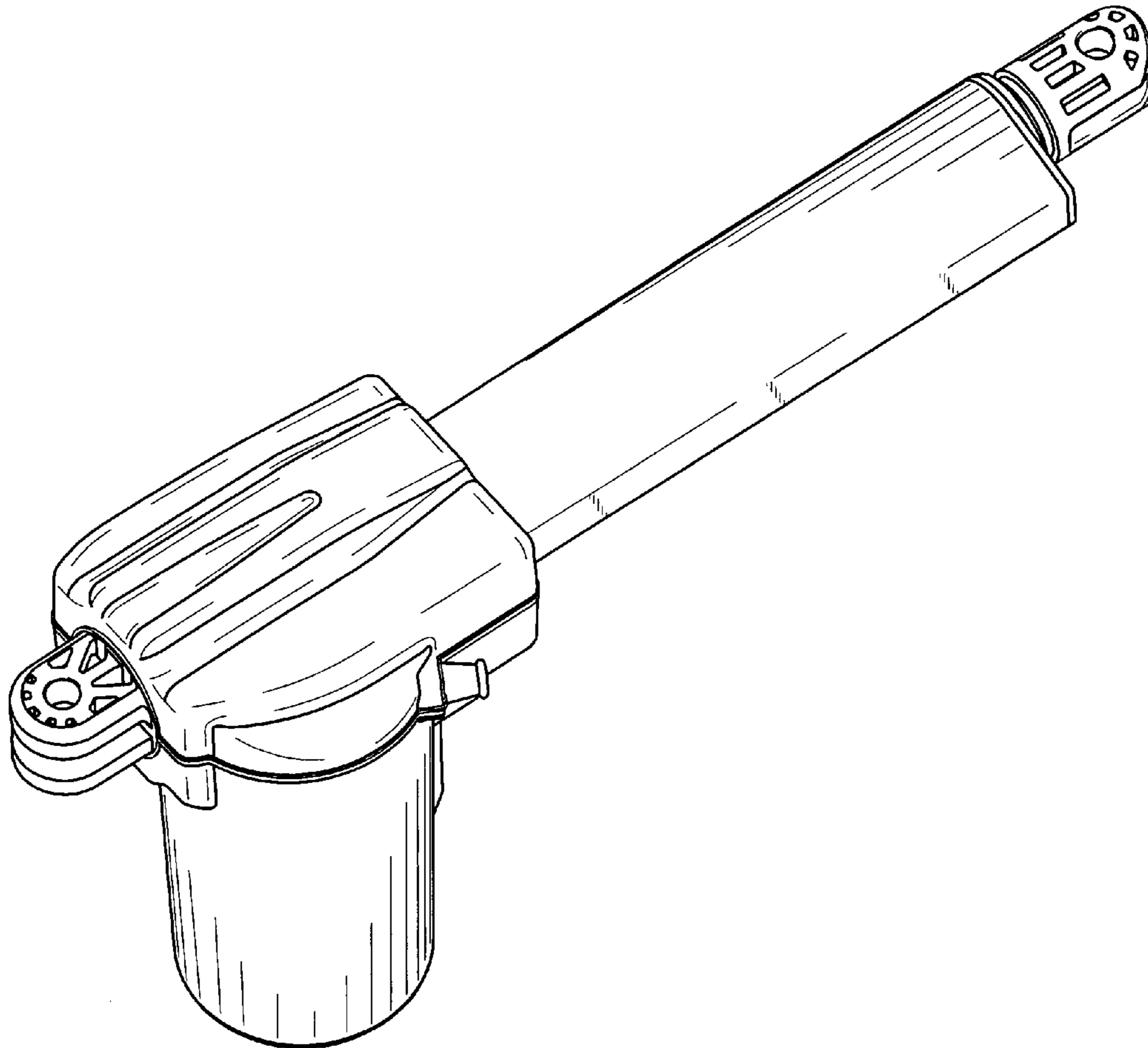
Portions of the actuator shown in broken lines in the figures are for illustrative purposes only and form no part of the claimed design.

(56) **References Cited**

U.S. PATENT DOCUMENTS

5,172,600 A \* 12/1992 Cissell et al. .... 74/89.36  
D458,284 S \* 6/2002 Landerholm et al. .... D15/143  
6,899,511 B2 \* 5/2005 Gurevich et al. .... 414/749.1  
D514,146 S \* 1/2006 Haneball ..... D15/143

**1 Claim, 5 Drawing Sheets**



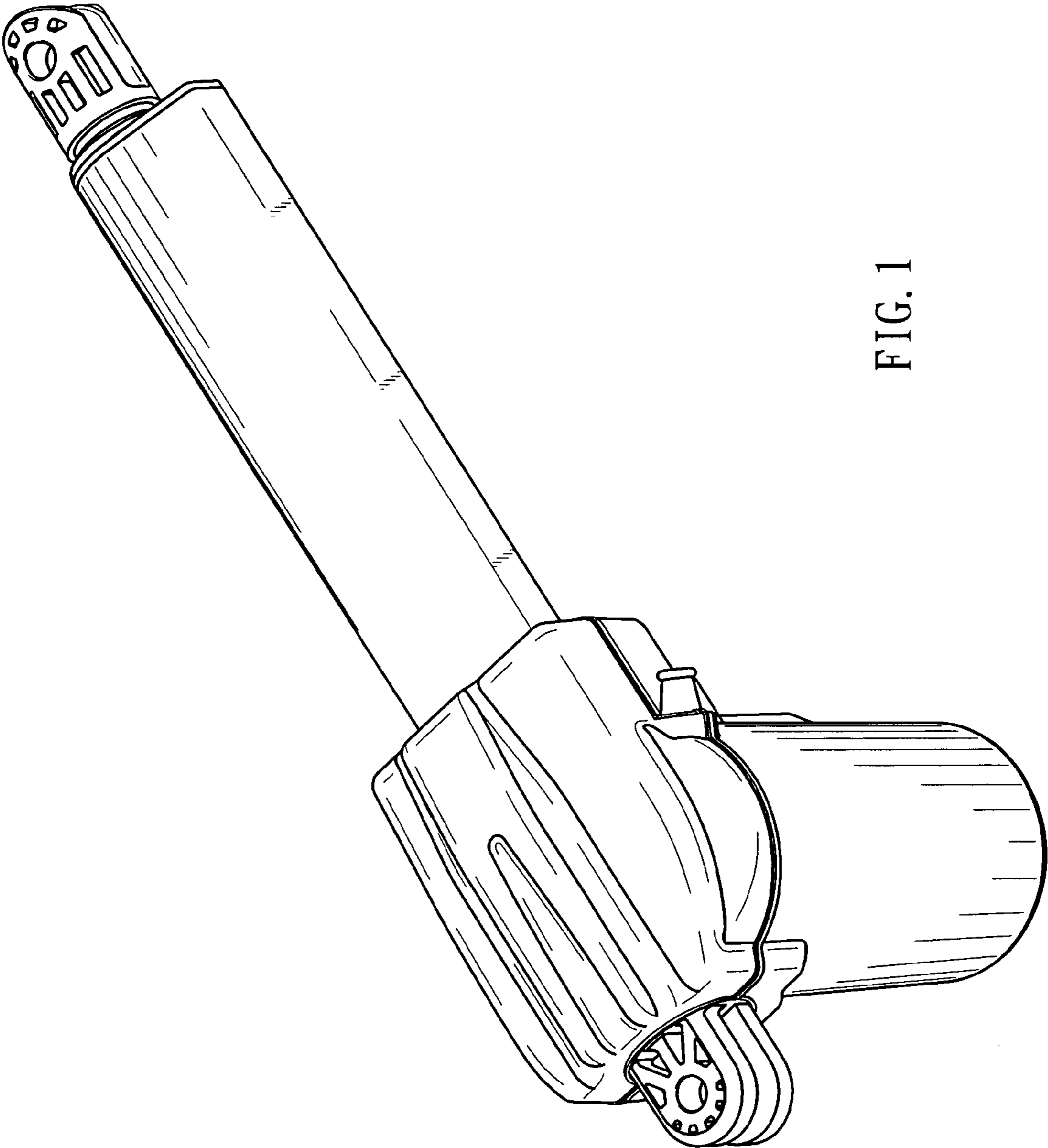


FIG. 1

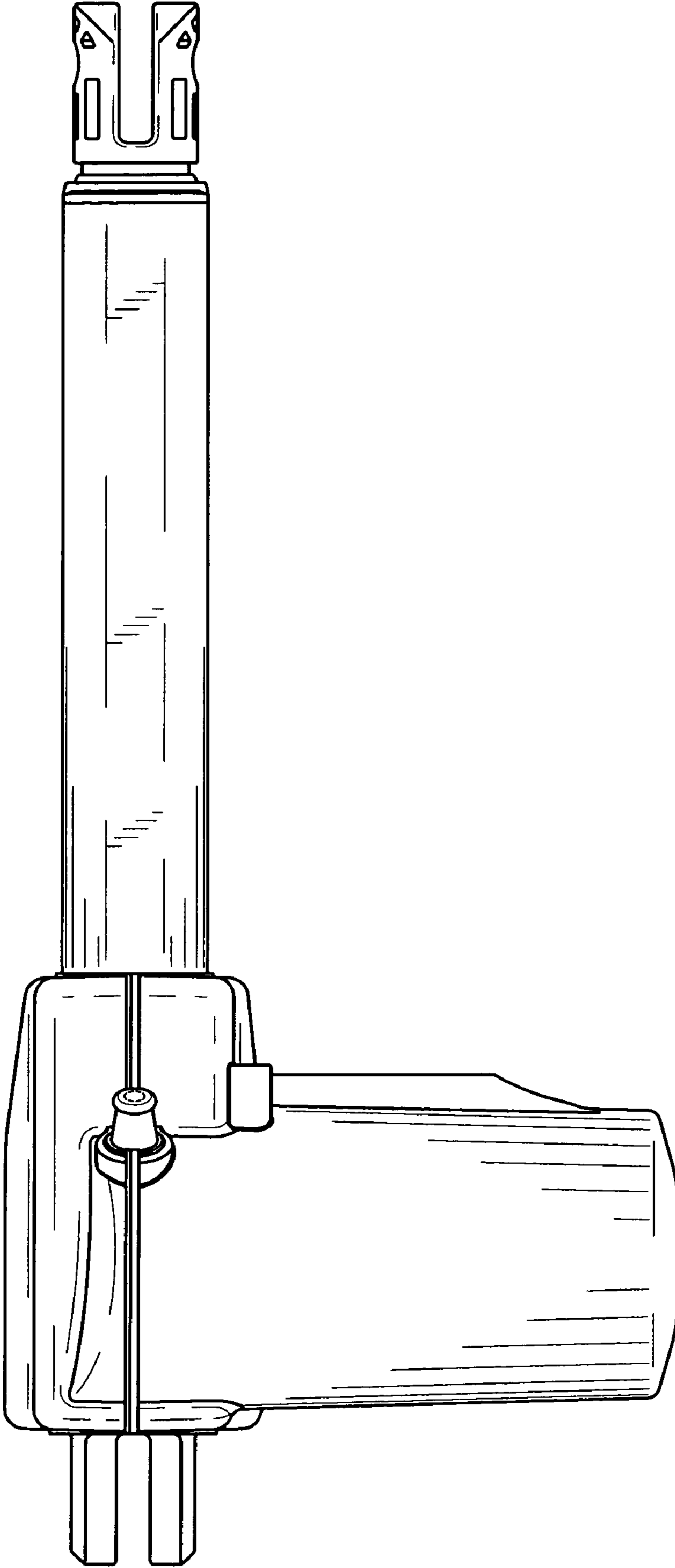


FIG. 2

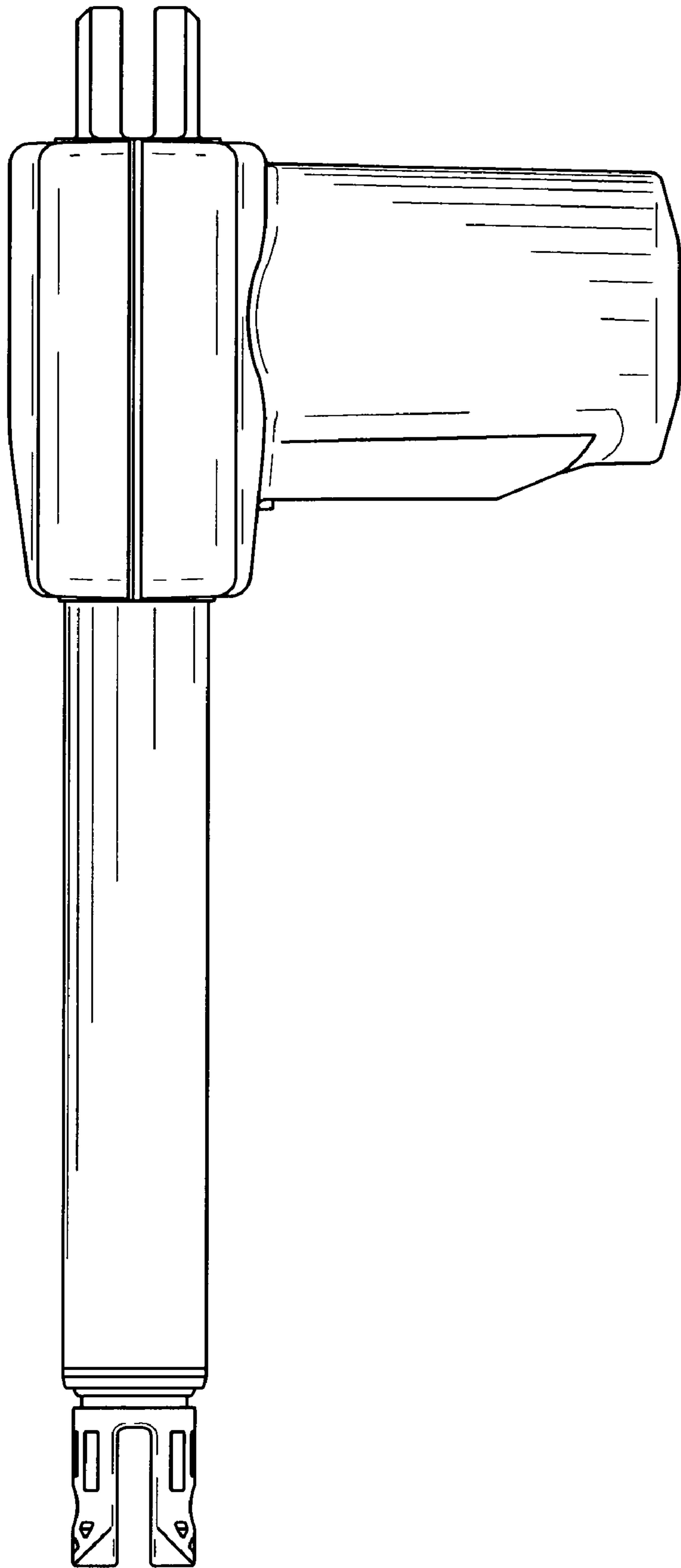


FIG. 3

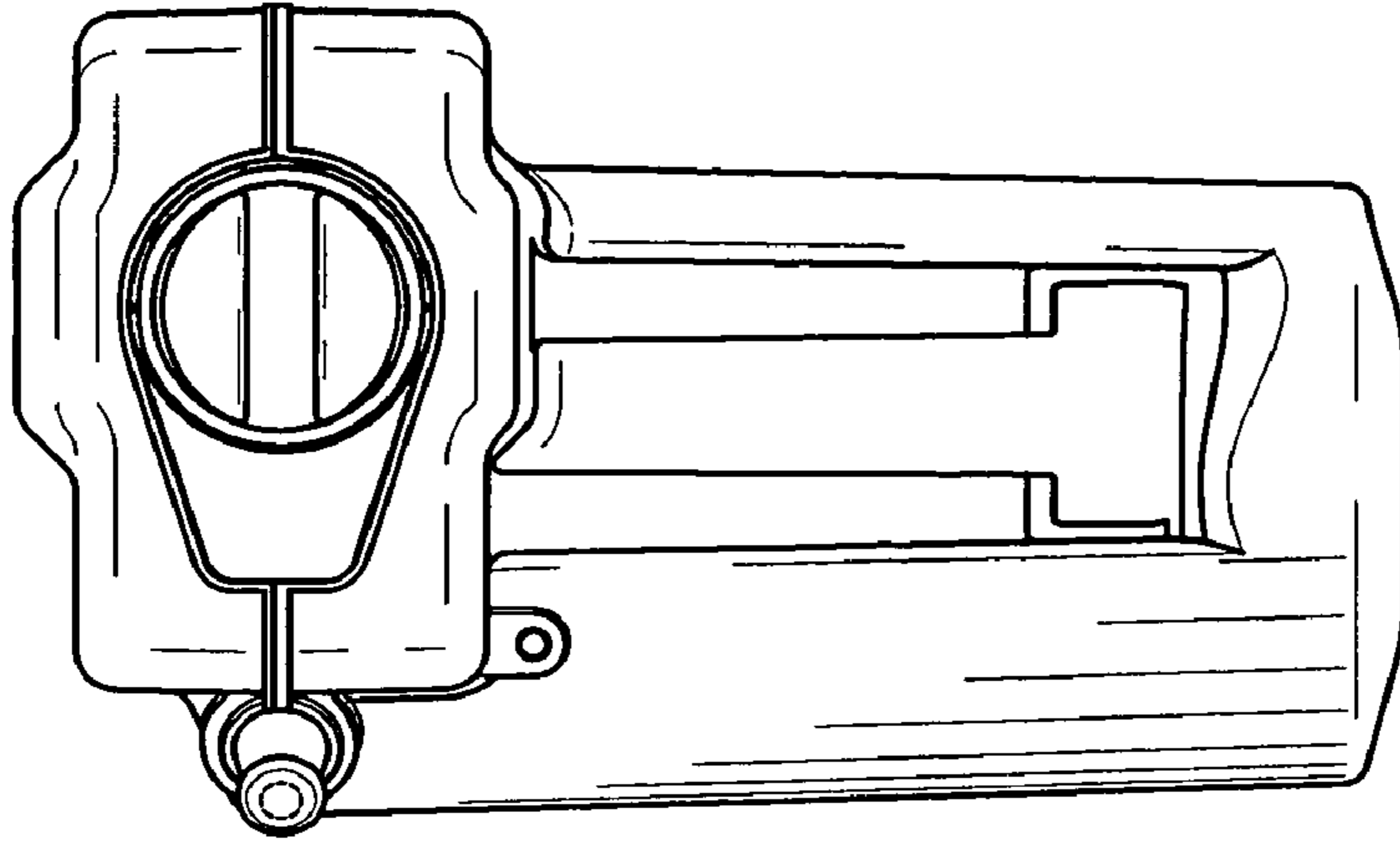


FIG. 5

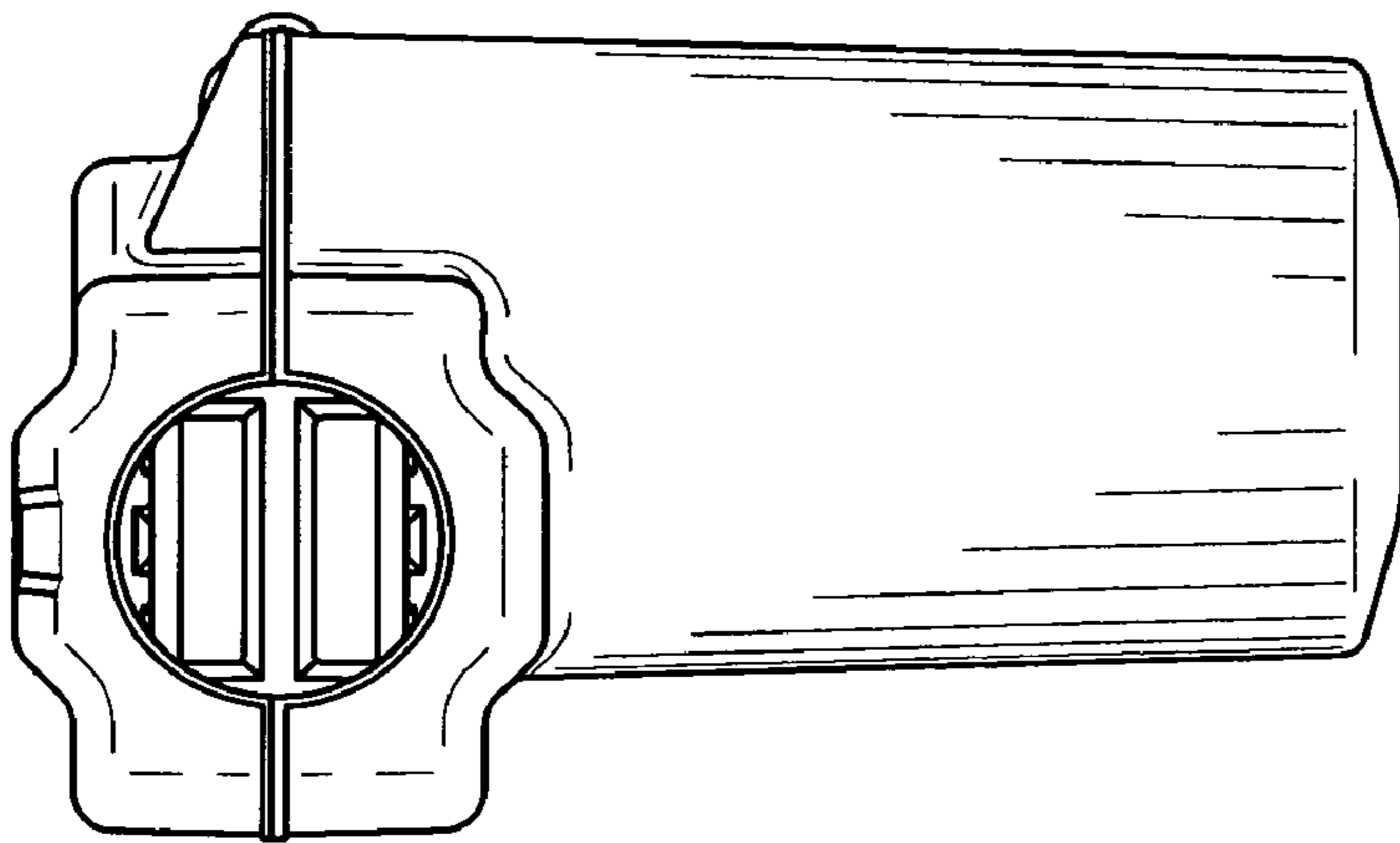


FIG. 4

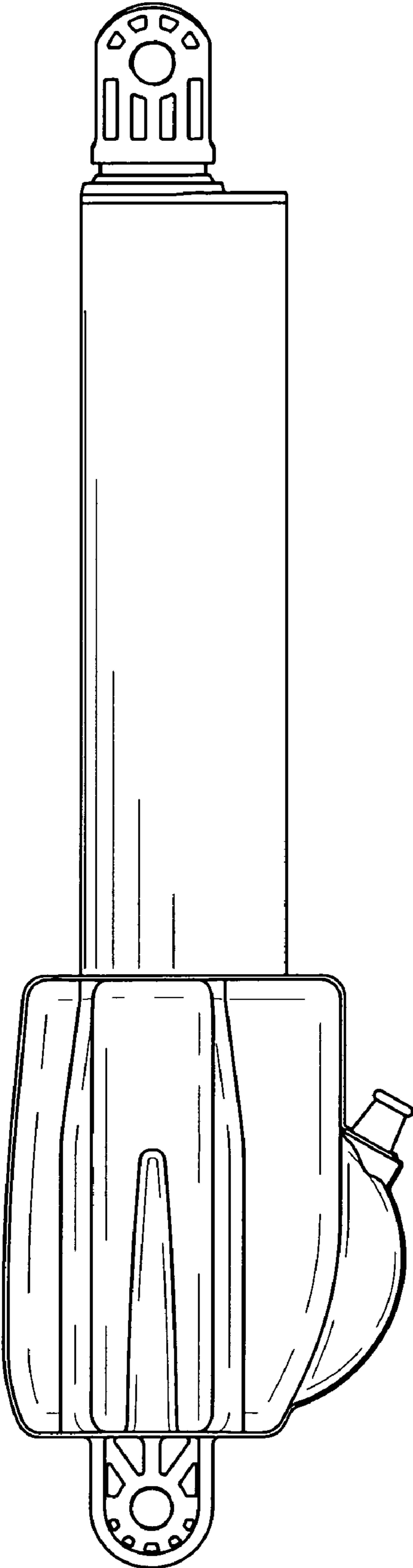


FIG. 6