



US00D589989S

(12) **United States Design Patent**
Crookshanks et al.

(10) **Patent No.:** **US D589,989 S**

(45) **Date of Patent:** **** Apr. 7, 2009**

(54) **PORTION OF A REFRIGERATOR**

(75) Inventors: **Kent Allen Stephen Crookshanks**,
Anderson, SC (US); **Charles David**
Baker, Anderson, SC (US)

(73) Assignee: **Electrolux Home Products, Inc.**,
Cleveland, OH (US)

(**) Term: **14 Years**

(21) Appl. No.: **29/297,506**

(22) Filed: **Nov. 13, 2007**

(51) **LOC (9) Cl.** **15-07**

(52) **U.S. Cl.** **D15/89**; D15/91

(58) **Field of Classification Search** D15/79-89,
D15/19; 62/3.1, 3.6, 3.63, 3.64, 45.1, 293,
62/331, 371, 440, 467, 529, 531; 312/204,
312/236, 352, 400-408; 52/784.1

See application file for complete search history.

(56) **References Cited**

U.S. PATENT DOCUMENTS

3,937,537 A * 2/1976 Dieterich 312/204
D358,403 S * 5/1995 Edman et al. D15/89
D384,681 S * 10/1997 Martin D15/89
D490,091 S * 5/2004 Quinlan D15/89

D511,785 S * 11/2005 Aldous et al. D15/89
D513,016 S * 12/2005 Aldous et al. D15/89
7,171,794 B2 * 2/2007 Bienick et al. 52/784.1
D569,881 S * 5/2008 Rand et al. D15/91

* cited by examiner

Primary Examiner—Stella M. Reid

Assistant Examiner—Shanda Hill

(74) *Attorney, Agent, or Firm*—Banner & Witcoff, Ltd.

(57) **CLAIM**

The ornamental design for a portion of a refrigerator, as shown and described.

DESCRIPTION

FIG. 1 is a front perspective view of a portion of a refrigerator showing our new design;

FIG. 2 is a front view thereof;

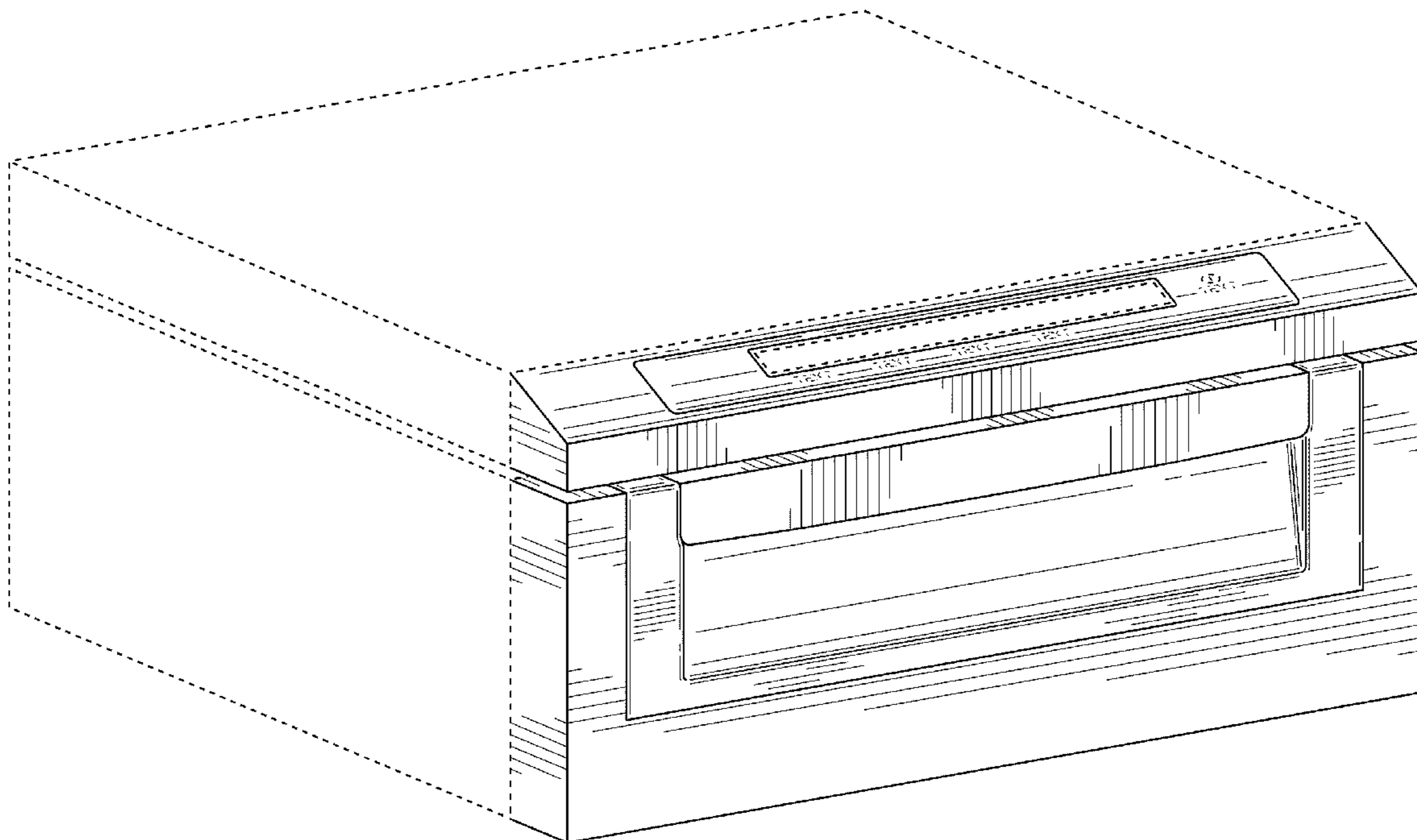
FIG. 3 is a top view thereof;

FIG. 4 is a right side view thereof; and,

FIG. 5 is a left side view thereof.

The broken lines shown in the drawing disclosure are for illustrative purposes only and form no part of the claimed design. The bottom view of the portion of the refrigerator forms no part of the claimed design.

1 Claim, 5 Drawing Sheets



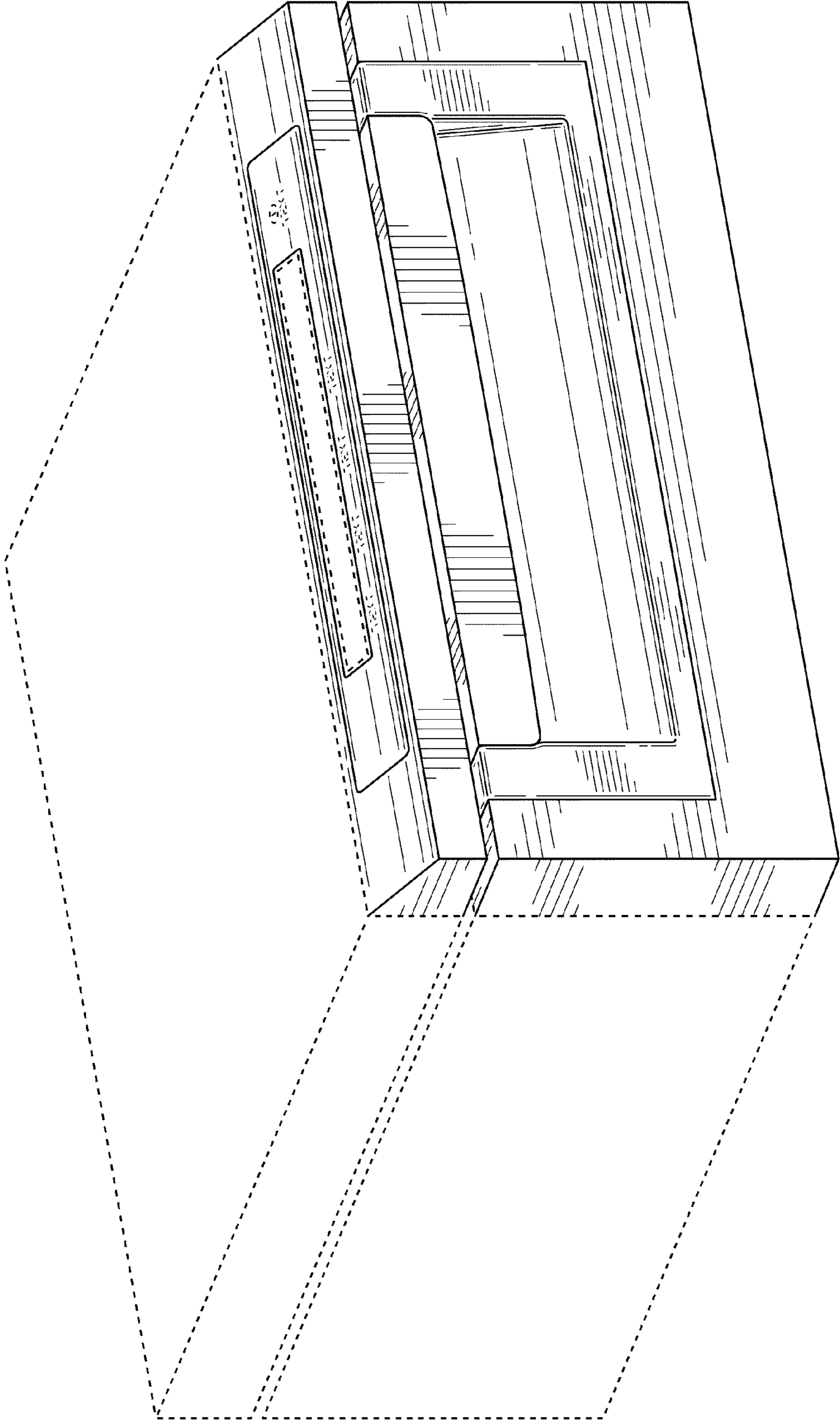


FIG. 1

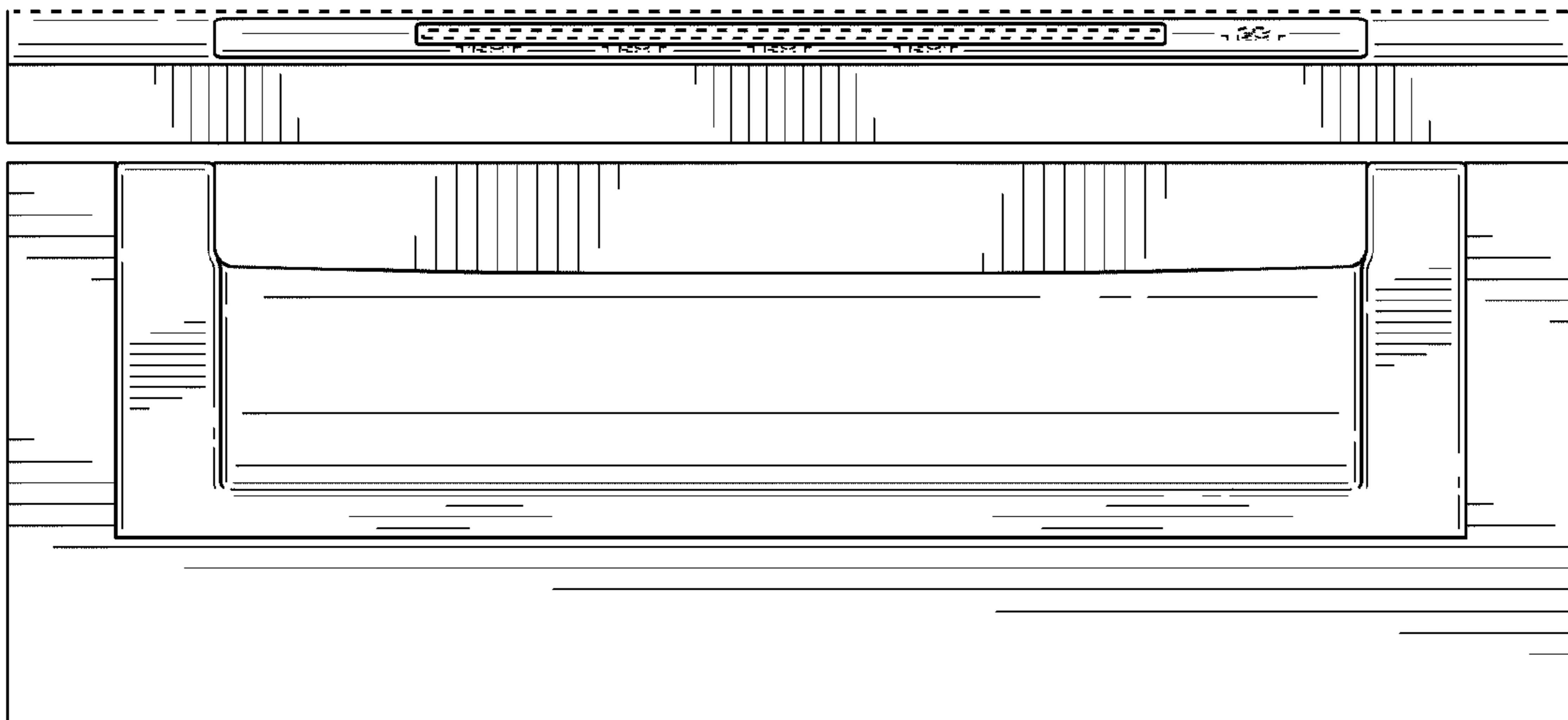


FIG. 2

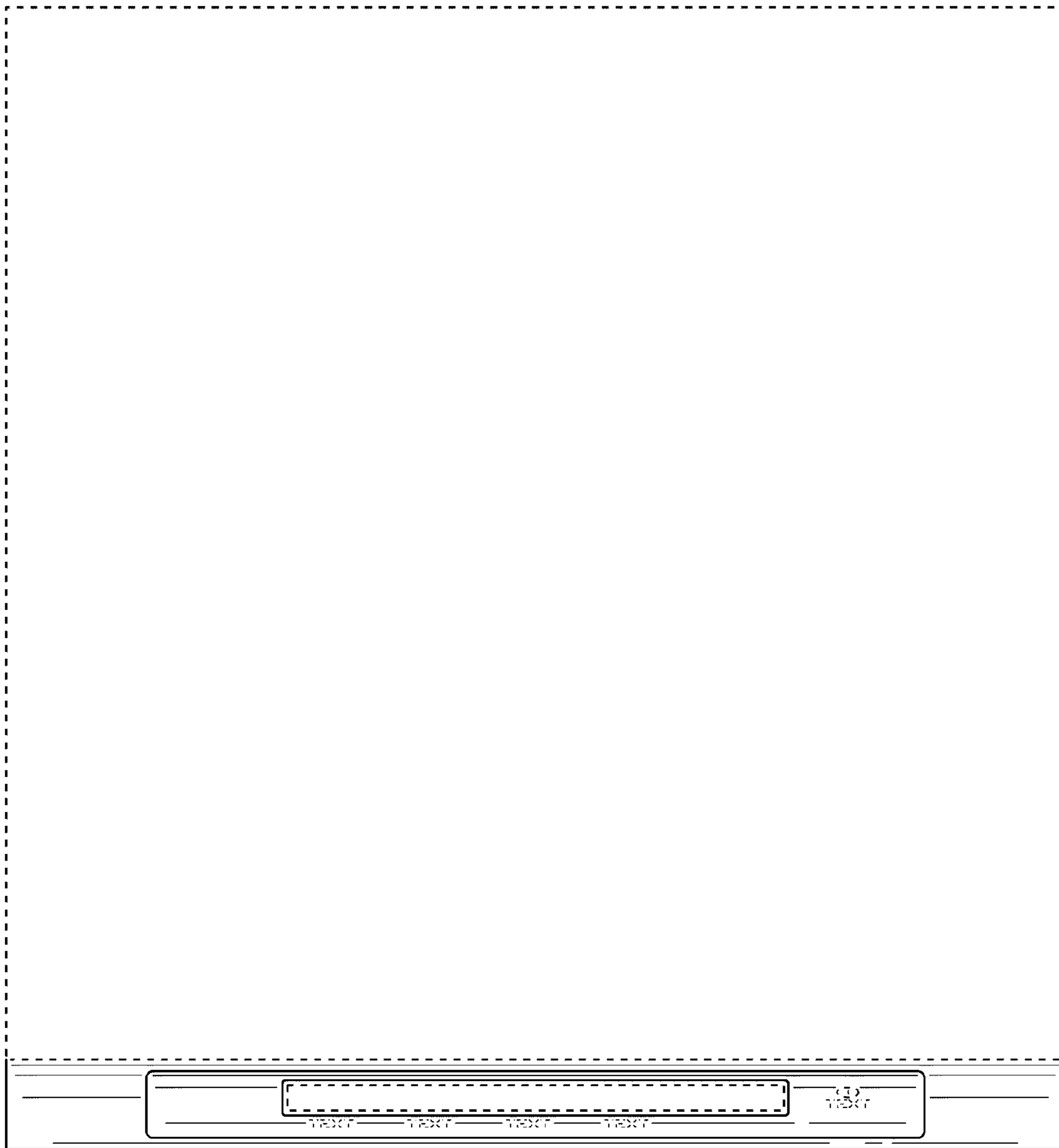


FIG. 3

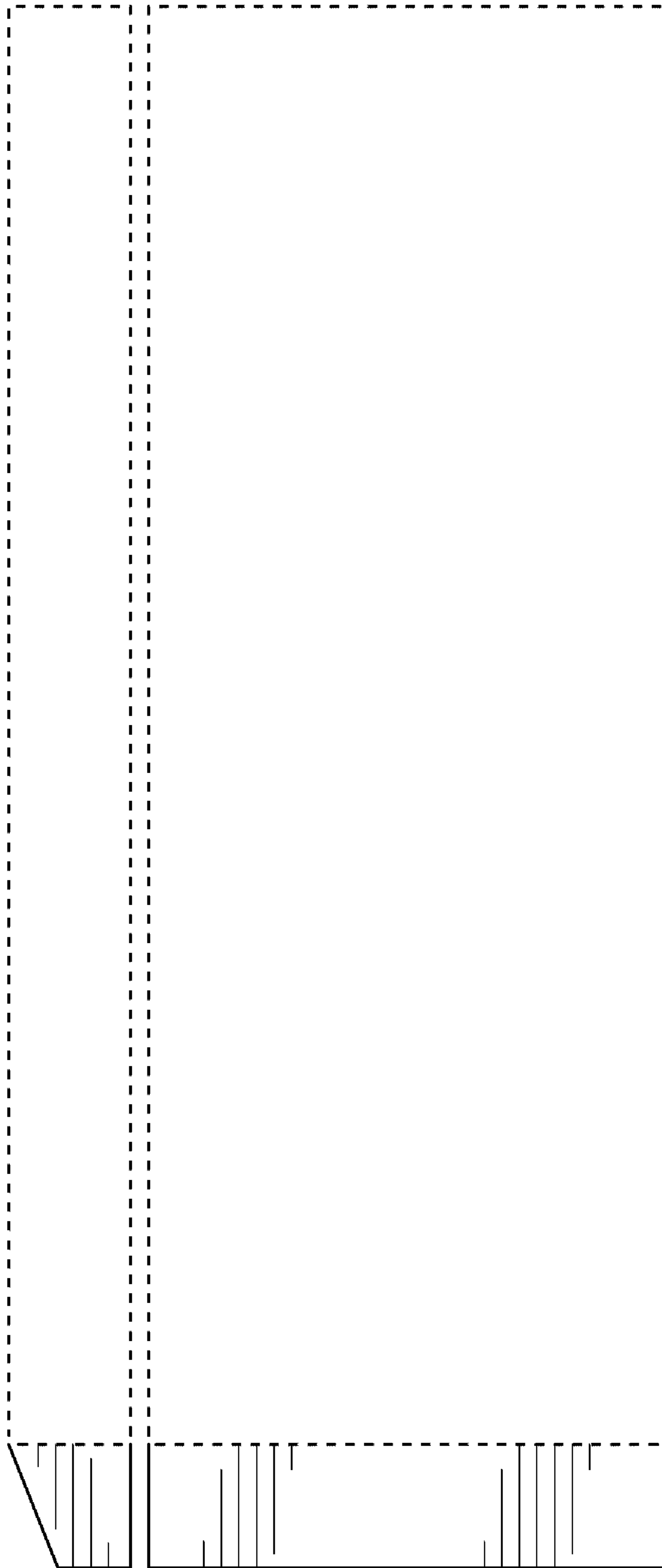


FIG. 4

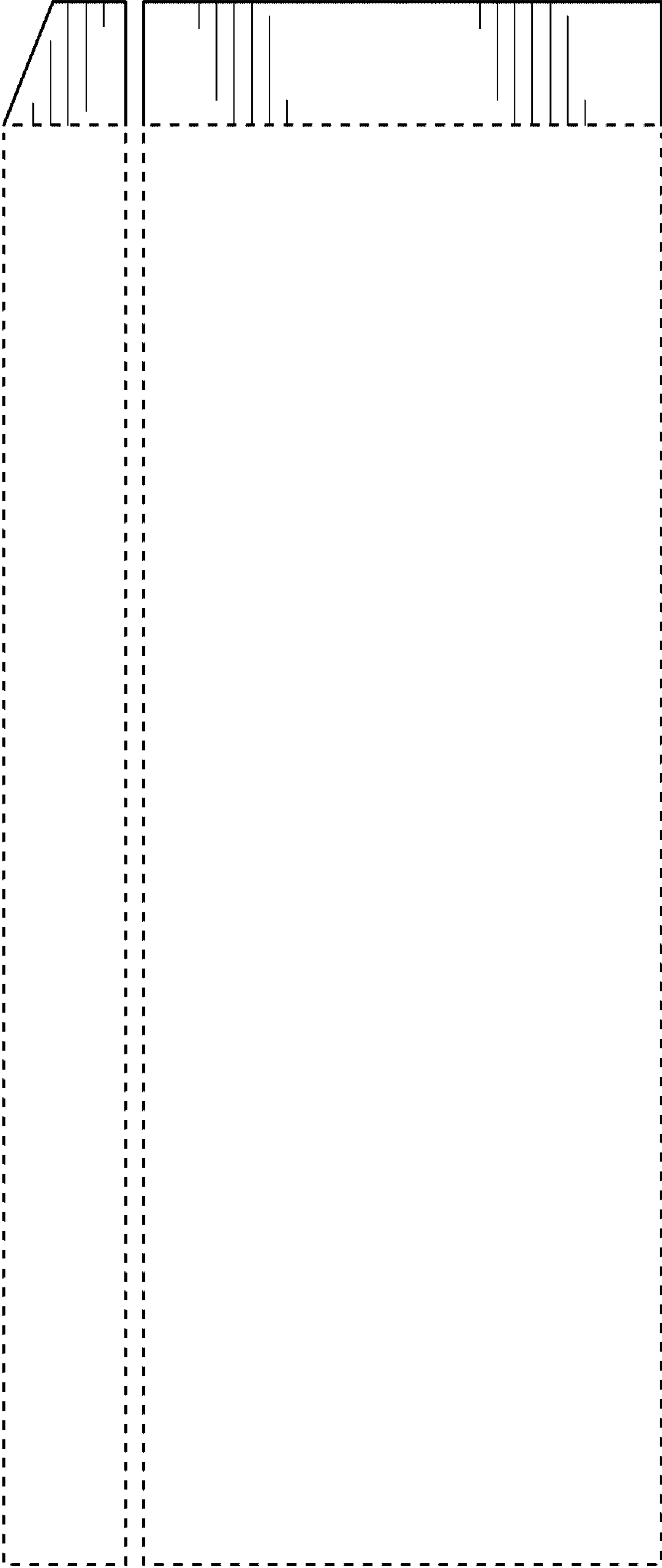


FIG. 5