



US00D589987S

(12) **United States Design Patent**
Nehring et al.

(10) **Patent No.:** **US D589,987 S**

(45) **Date of Patent:** **** *Apr. 7, 2009**

(54) **REFRIGERATOR**

(75) Inventors: **Guilherme Nehring**, Joinville (BR);
Carlos Roberto Lemos Homem de Mello, Joinville (BR); **Anna Luiza Moraes de Sá Cavalcanti**, Joinville (BR); **Rodolfo Floeter, Jr.**, Joinville (BR)

(73) Assignee: **Whirlpool S.A.**, Sao Paulo (BR)

(*) Notice: This patent is subject to a terminal disclaimer.

(**) Term: **14 Years**

(21) Appl. No.: **29/295,875**

(22) Filed: **Oct. 9, 2007**

(30) **Foreign Application Priority Data**

Apr. 10, 2007 (BR) 6700941-7

(51) **LOC (9) Cl.** **15-07**

(52) **U.S. Cl.** **D15/87**

(58) **Field of Search** D15/79-91; 62/3.6, 62/246-255, 275, 337, 344; 312/116, 138.1, 312/139.1, 139.2, 236, 348.6, 401-405

(56) **References Cited**

U.S. PATENT DOCUMENTS

D451,935 S * 12/2001 Yang et al. D15/85

D460,466 S * 7/2002 Ma et al. D15/79
D483,776 S * 12/2003 Ma et al. D15/81
D491,960 S * 6/2004 Kang et al. D15/85
D502,711 S * 3/2005 Floeter et al. D15/86
D529,934 S * 10/2006 Becke D15/87
D529,935 S * 10/2006 Becke D15/87
D551,261 S * 9/2007 Becke D15/87
D562,853 S * 2/2008 Esteve et al. D15/87
D568,910 S * 5/2008 Seo et al. D15/87

* cited by examiner

Primary Examiner—Stella M Reid

Assistant Examiner—Shanda C Hill

(74) *Attorney, Agent, or Firm*—Woodcock Washburn LLP

(57) **CLAIM**

The ornamental design for a refrigerator, as shown and described.

DESCRIPTION

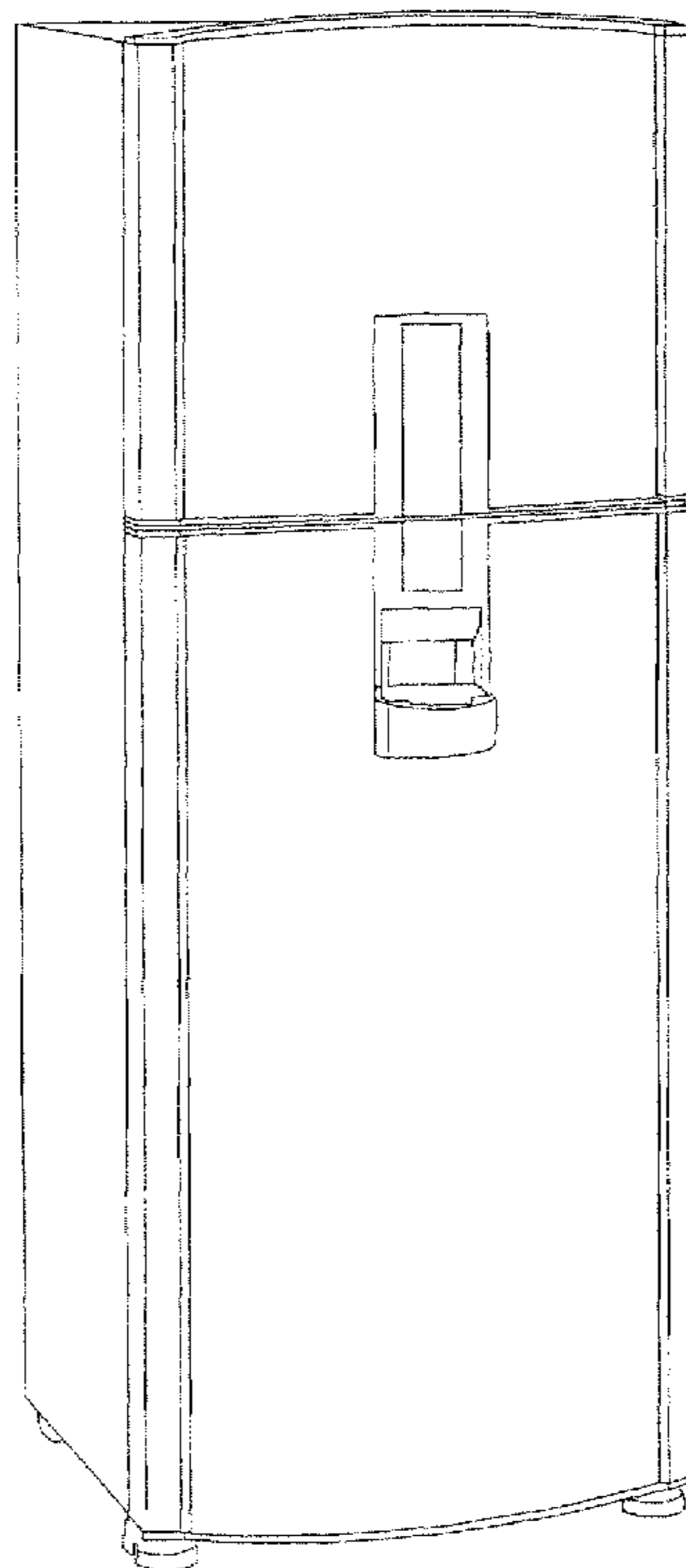
FIG. 1 is a perspective view of a refrigerator, in accordance with the present invention.

FIG. 2 is a front view of the refrigerator in FIG. 1.

FIG. 3 is a side view of the refrigerator in FIG. 1; and,

FIG. 4 is a top view of the refrigerator in FIG. 1.

1 Claim, 3 Drawing Sheets



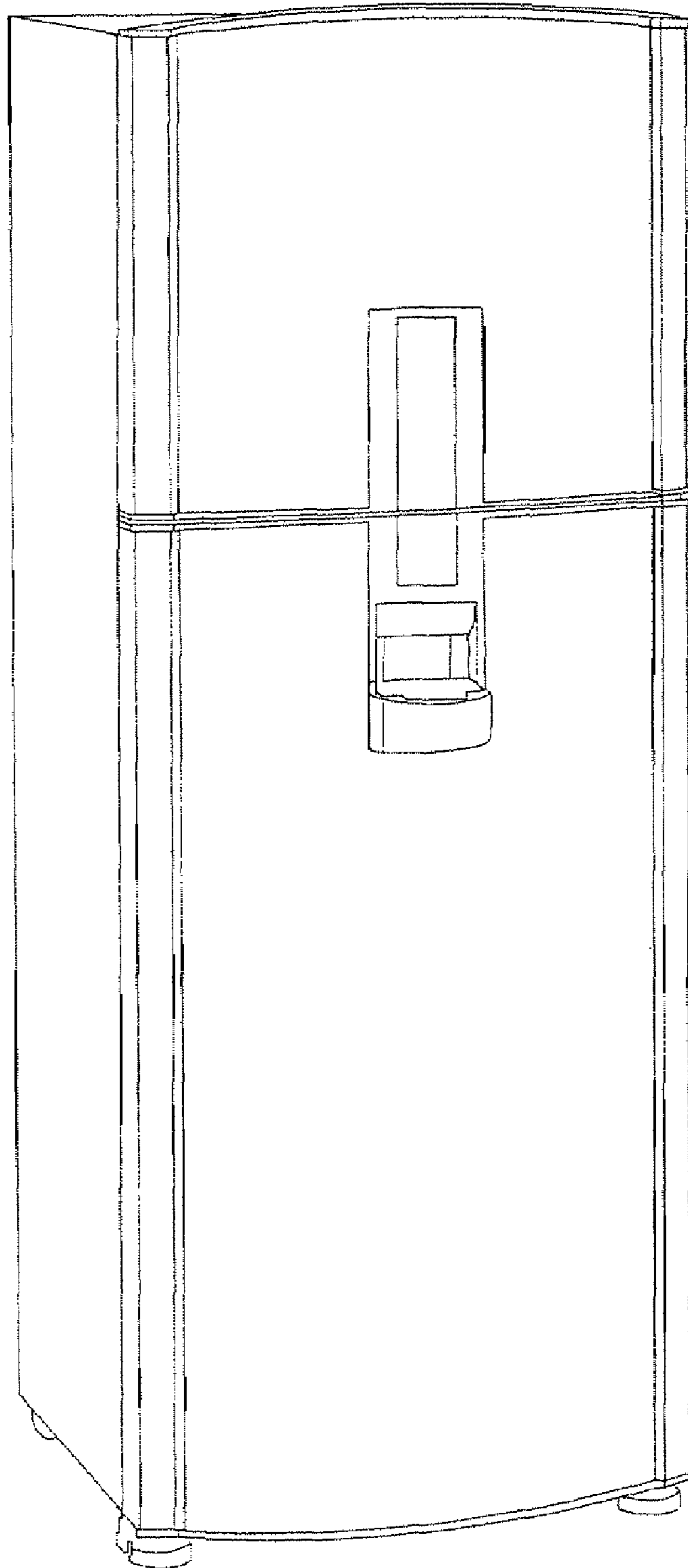


Fig. 1

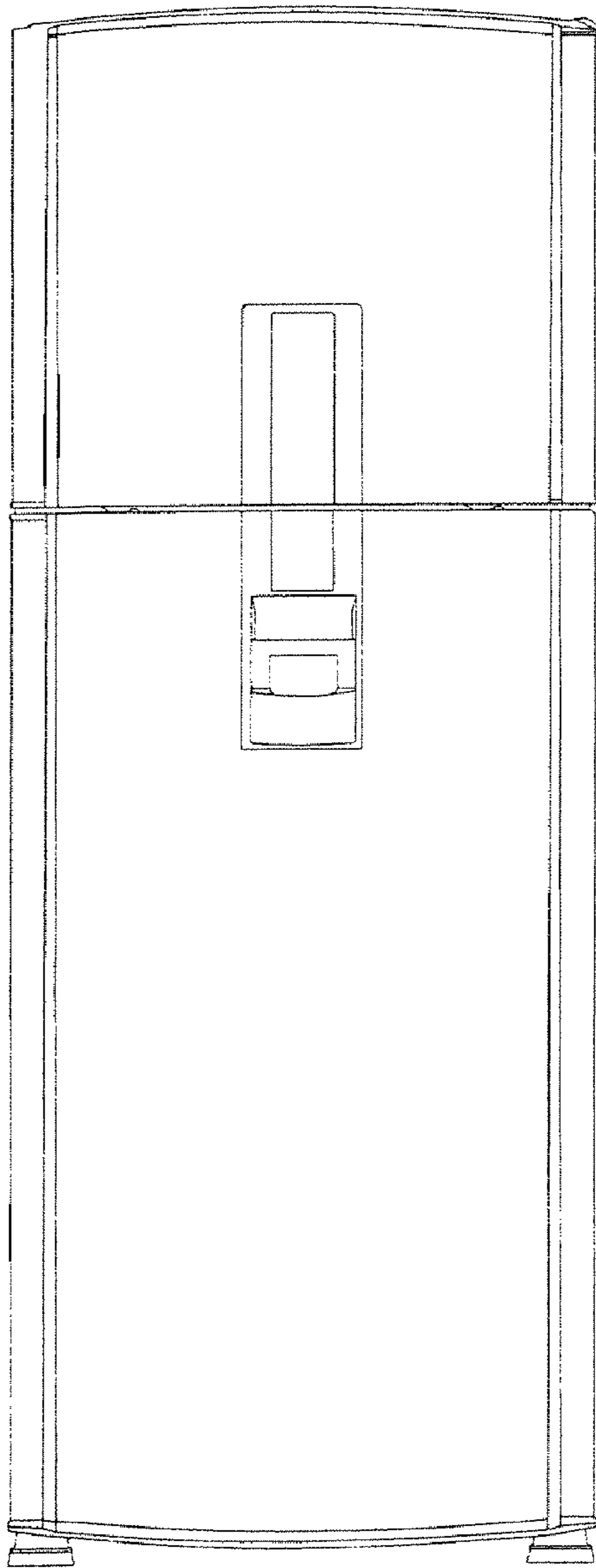


Fig. 2

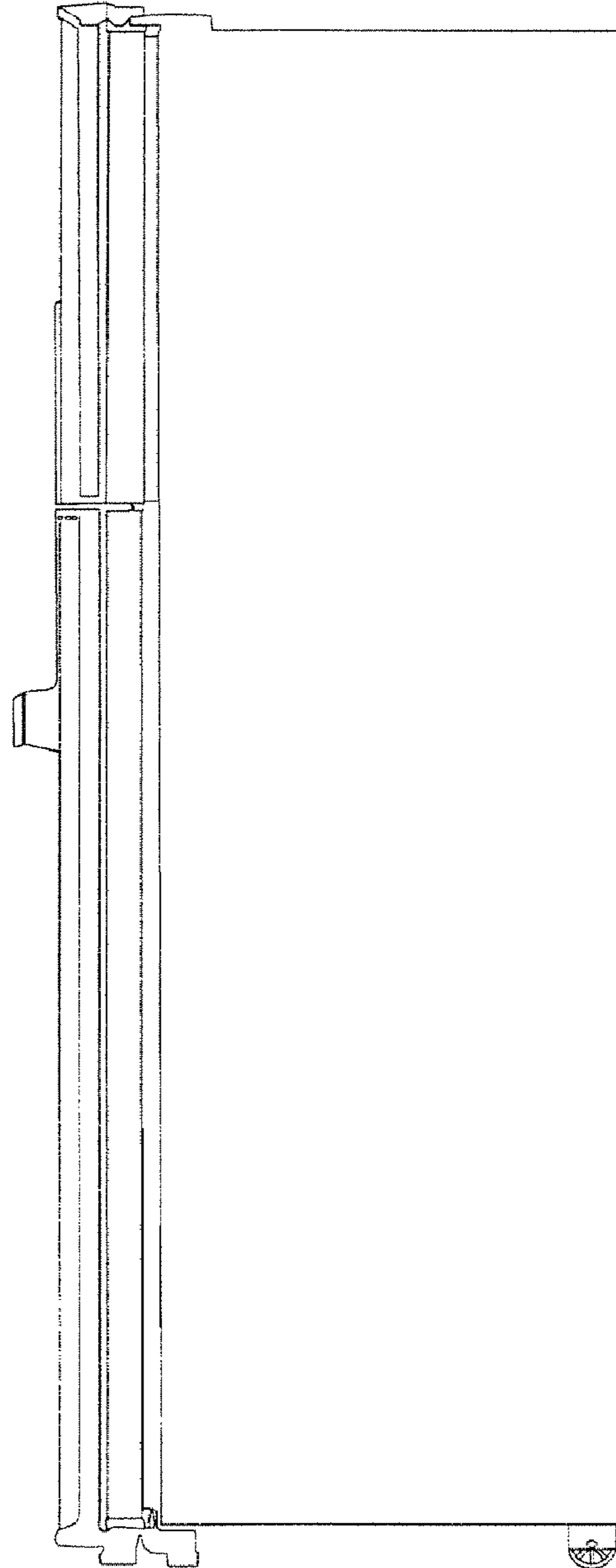


Fig. 3

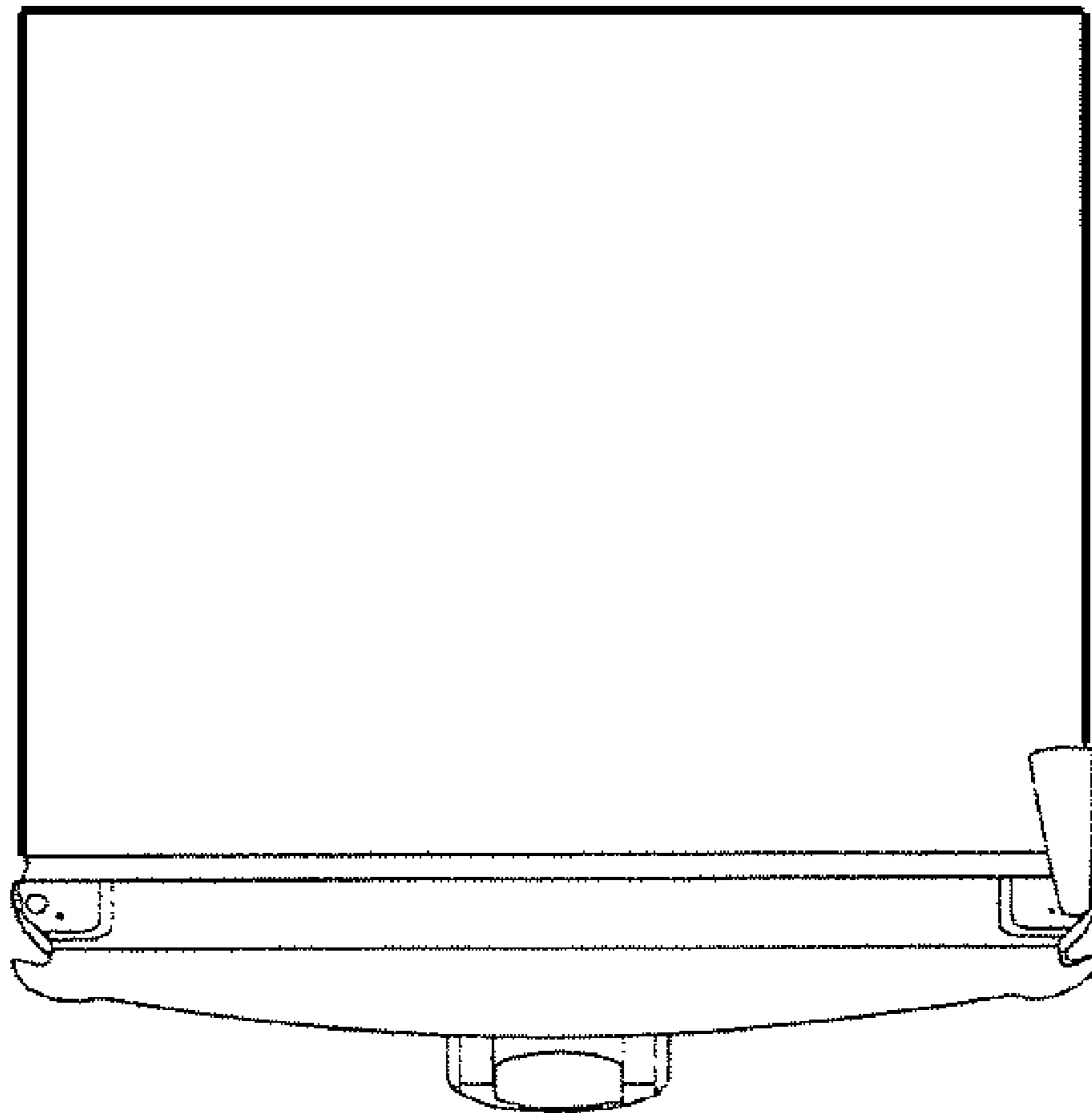


Fig. 4