



US00D589986S

(12) **United States Design Patent**
Rogers et al.

(10) **Patent No.:** **US D589,986 S**

(45) **Date of Patent:** **** Apr. 7, 2009**

(54) **REFRIGERATED RETAIL DISPLAY UNIT**

(75) Inventors: **David Marrell Rogers**, Lewisville, NC
(US); **Charles Nathan Clark**,
Clemmons, NC (US)

(73) Assignee: **Imageworks Display and Marketing**
Group, Winston-Salem, NC (US)

(**) Term: **14 Years**

(21) Appl. No.: **29/292,850**

(22) Filed: **Oct. 30, 2007**

(51) **LOC (9) Cl.** **15-07**

(52) **U.S. Cl.** **D15/81; D15/79**

(58) **Field of Classification Search** D15/79-88,
D15/91; 62/3.1, 3.6, 3.63, 3.64, 45.1, 293,
62/331, 371, 440, 467, 529, 531; 312/236,
312/352, 400-408; D6/470-474, 479

See application file for complete search history.

(56) **References Cited**

U.S. PATENT DOCUMENTS

- 4,328,676 A 5/1982 Reed
- 4,706,472 A 11/1987 Howard
- 5,007,242 A 4/1991 Nakayama
- D367,864 S 3/1996 Lacewell
- 5,499,513 A 3/1996 Bustos
- 5,567,026 A 10/1996 Lacewell
- 5,584,192 A 12/1996 Bustos
- D377,800 S 2/1997 Branz et al.
- 5,651,262 A 7/1997 Pendergast
- D395,968 S 7/1998 Shappell
- D402,138 S 12/1998 Trulaske, Sr.
- 6,021,642 A 2/2000 Guinn
- 6,023,869 A 2/2000 Durbin
- 6,210,013 B1 4/2001 Bousfield
- 6,385,991 B1 5/2002 Romanosky
- 6,481,130 B1 11/2002 Wu
- 6,550,269 B2 4/2003 Rudick
- D481,400 S * 10/2003 Sintjan et al. D15/81
- D481,742 S * 11/2003 DeBontridder D15/81

- 6,735,970 B1 5/2004 Bocchini
- 6,769,260 B2 8/2004 Lee et al.
- D511,176 S * 11/2005 Howell D15/81
- D515,595 S * 2/2006 Jorgensen D15/81
- D515,596 S * 2/2006 Jorgensen D15/81
- D550,723 S * 9/2007 Meehan D15/81
- D554,670 S * 11/2007 Jorgensen D15/81
- 2005/0109040 A1 5/2005 Hansen

FOREIGN PATENT DOCUMENTS

DE 4228521 3/1994

OTHER PUBLICATIONS

U.S. Appl. No. 11/895,655, filed Aug. 27, 2007, Welker et al.
U.S. Appl. No. 11/448,187, filed Jun. 7, 2006, Welker et al.

* cited by examiner

Primary Examiner—Stella M. Reid

Assistant Examiner—Shanda Hill

(74) *Attorney, Agent, or Firm*—Robert W. Pitts

(57) **CLAIM**

The ornamental design for refrigerated retail display unit, as shown and described.

DESCRIPTION

FIG. 1 is a perspective view of a refrigerated retail display unit showing our new design;

FIG. 2 is a right side view thereof;

FIG. 3 is a rear view thereof;

FIG. 4 is a left side view thereof;

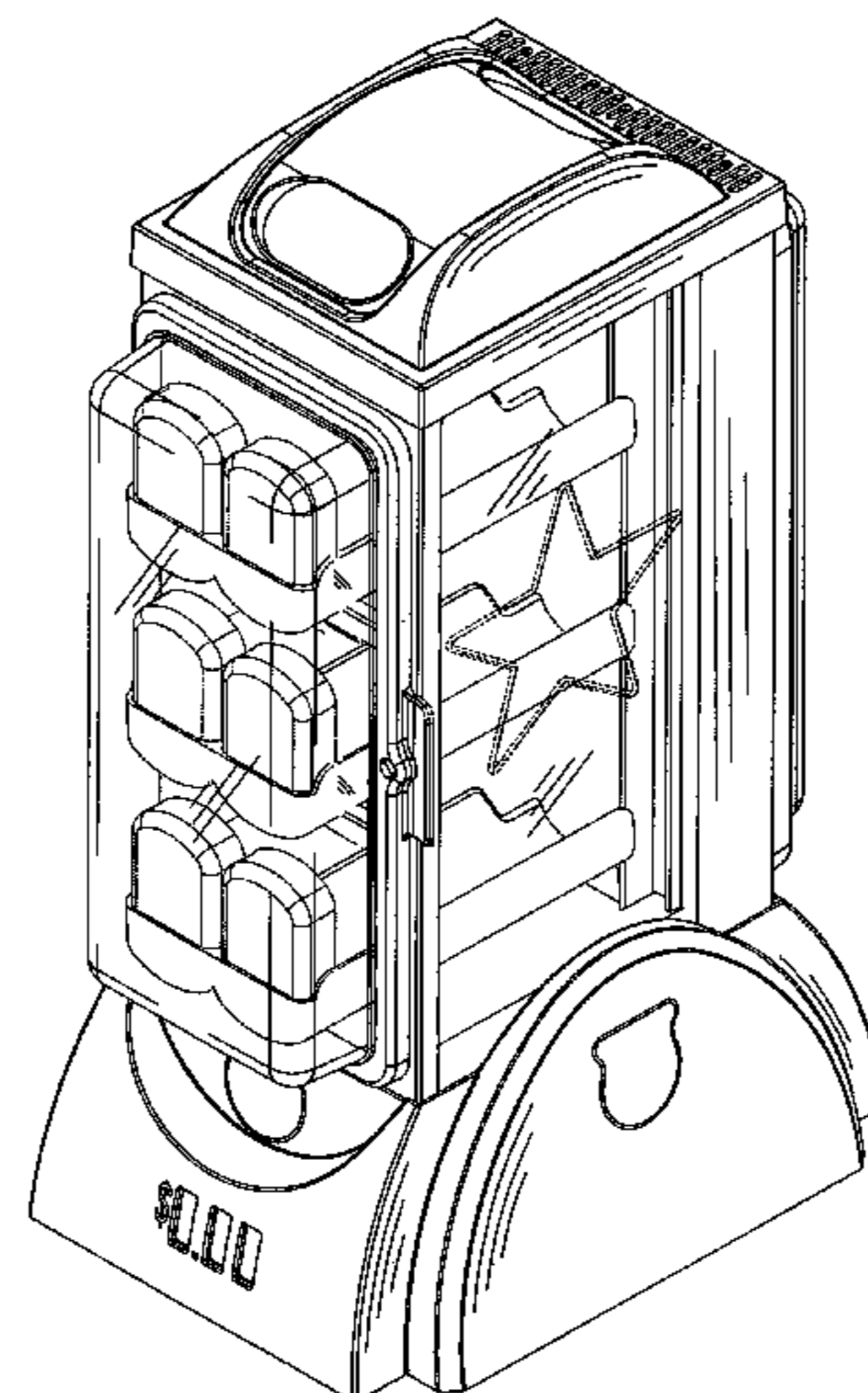
FIG. 5 is a front view thereof;

FIG. 6 is a top view thereof; and,

FIG. 7 is a bottom view thereof.

The broken lines shown in the drawing disclosure are for illustrative purposes only and form no part of the claimed design.

1 Claim, 6 Drawing Sheets



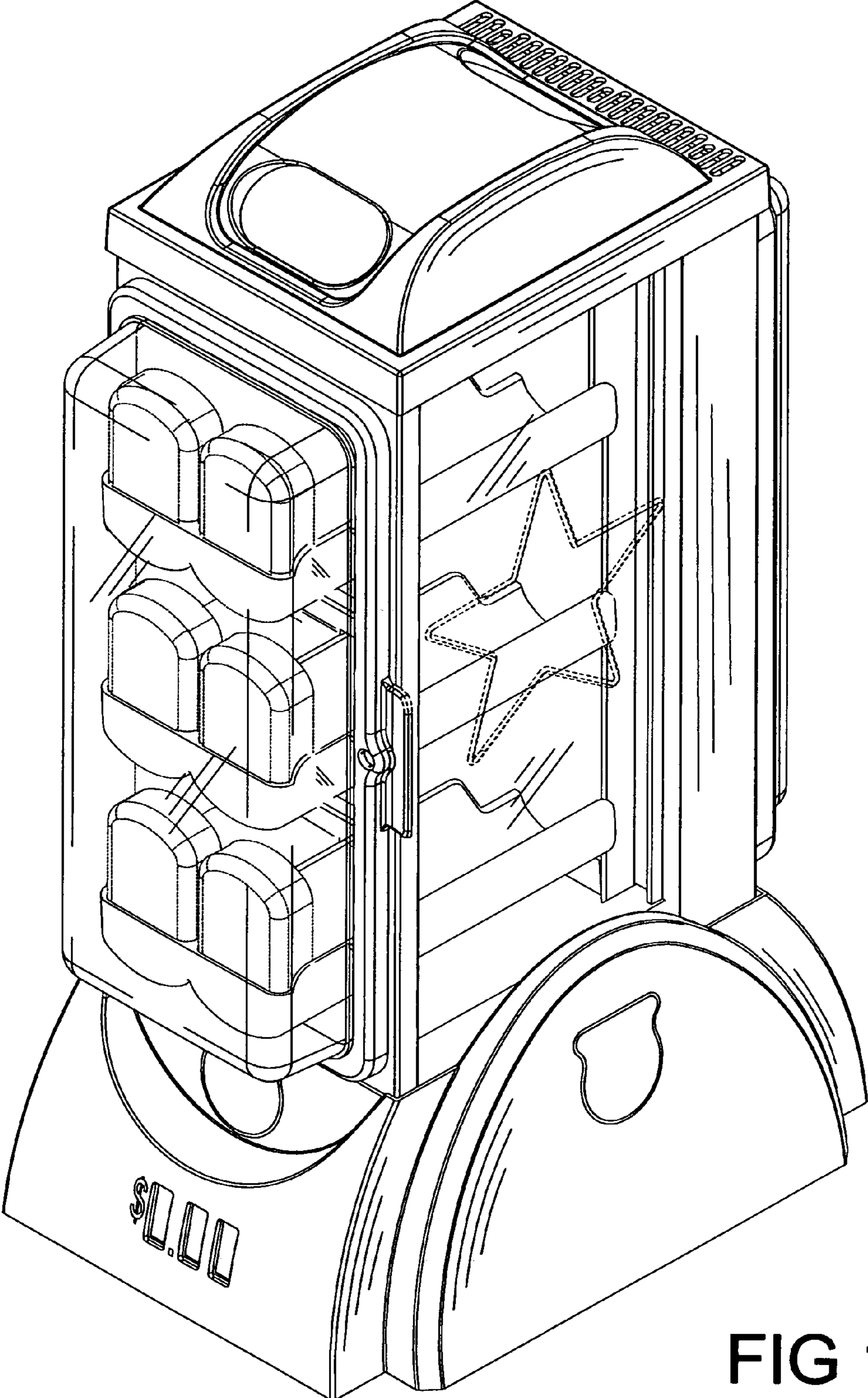


FIG 1

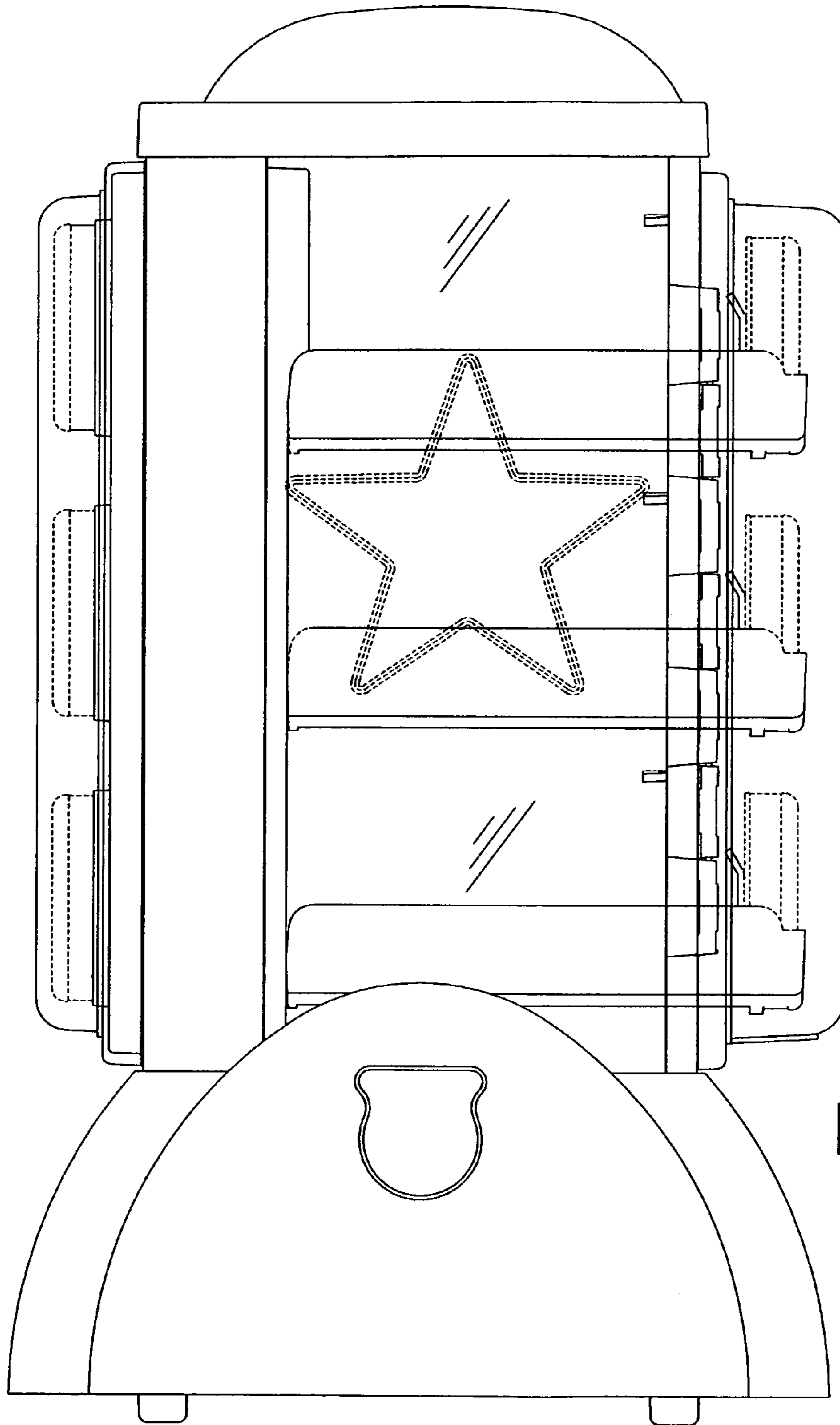


FIG 2

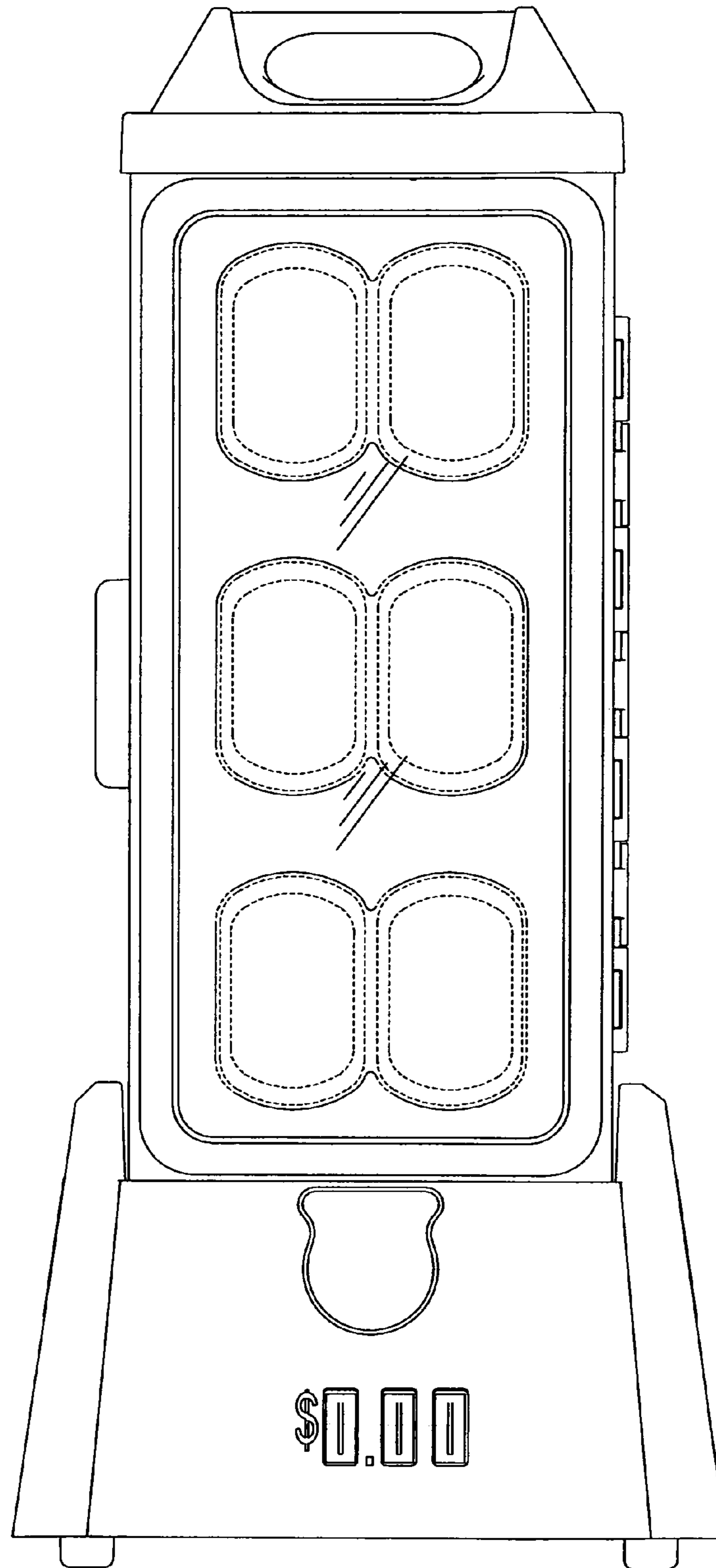


FIG 3

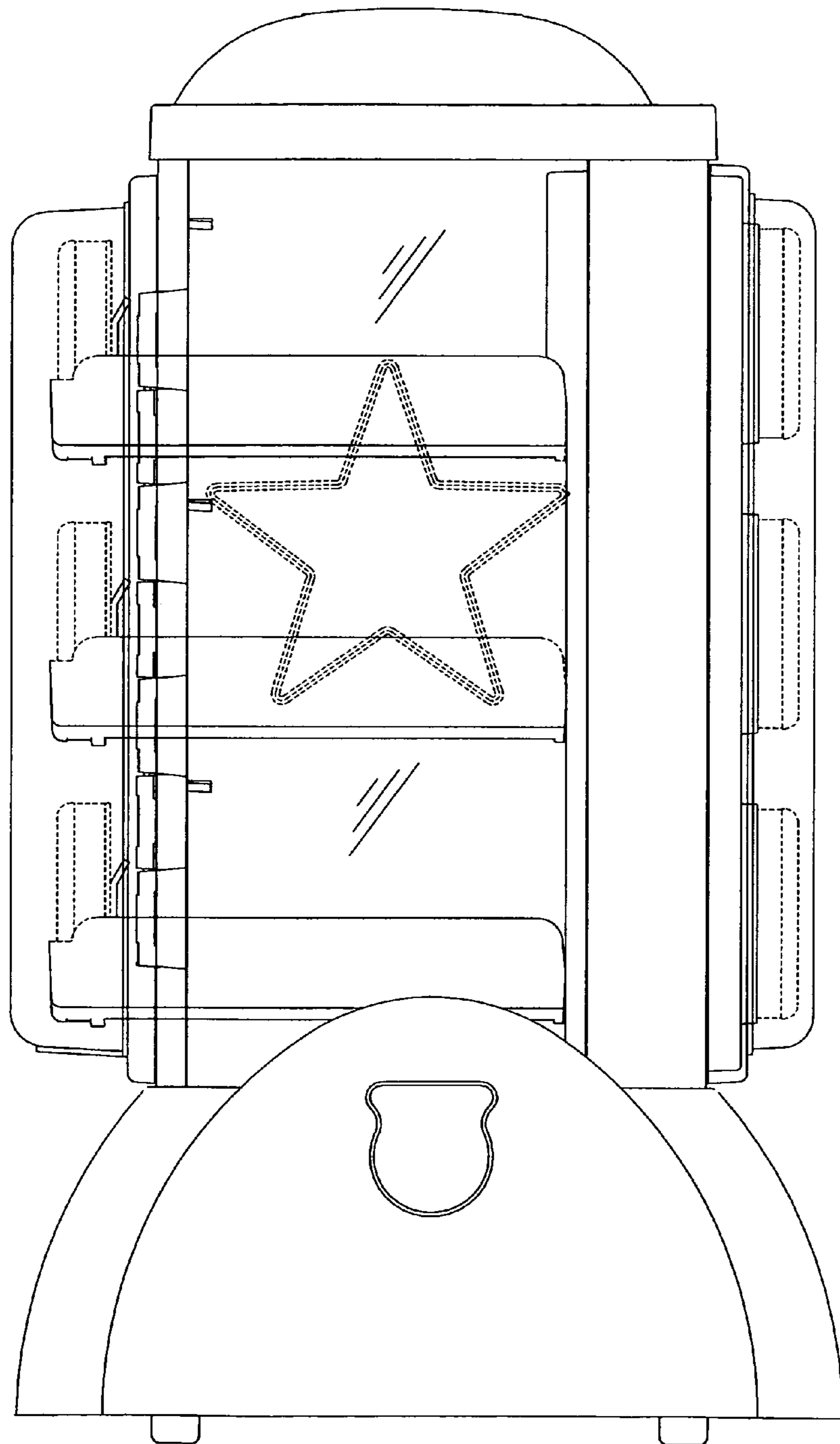


FIG 4

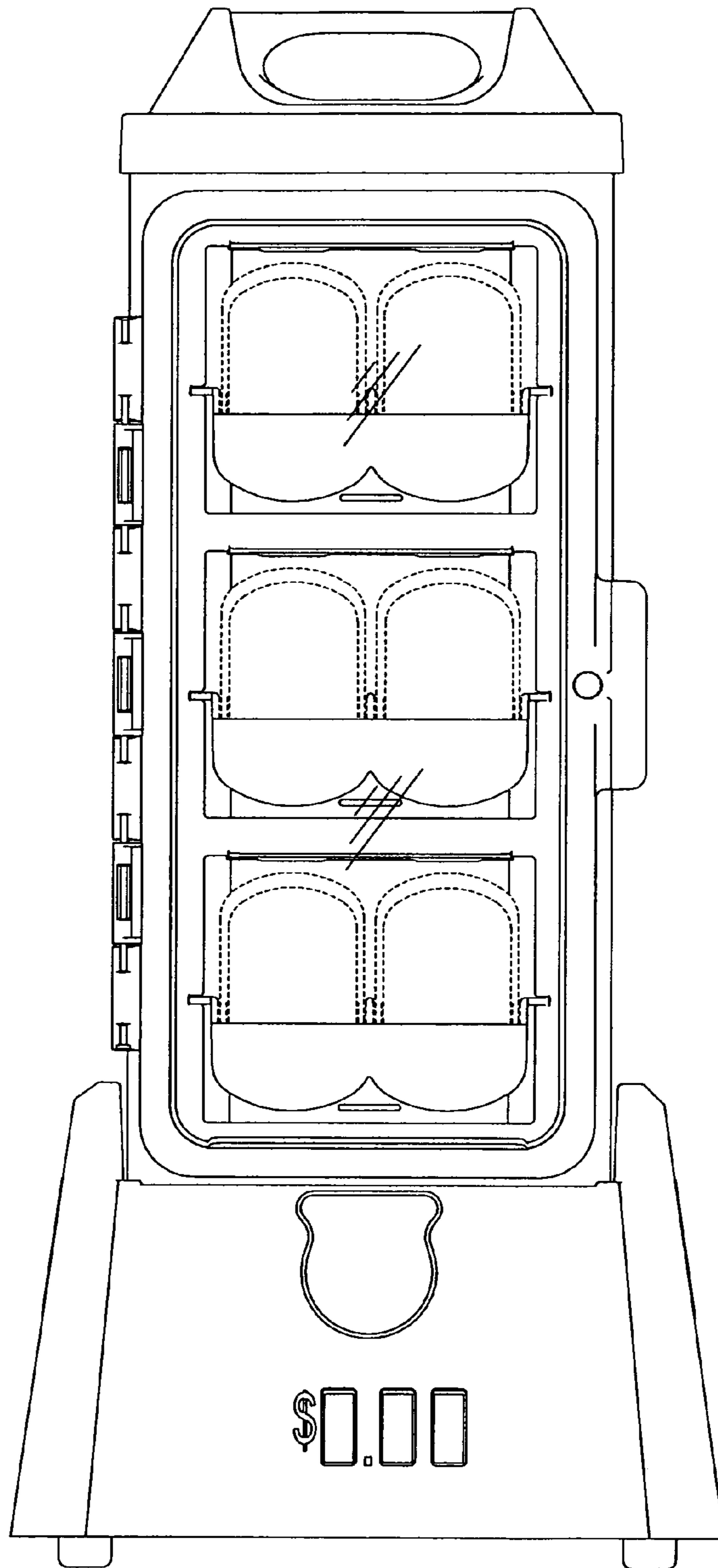


FIG 5

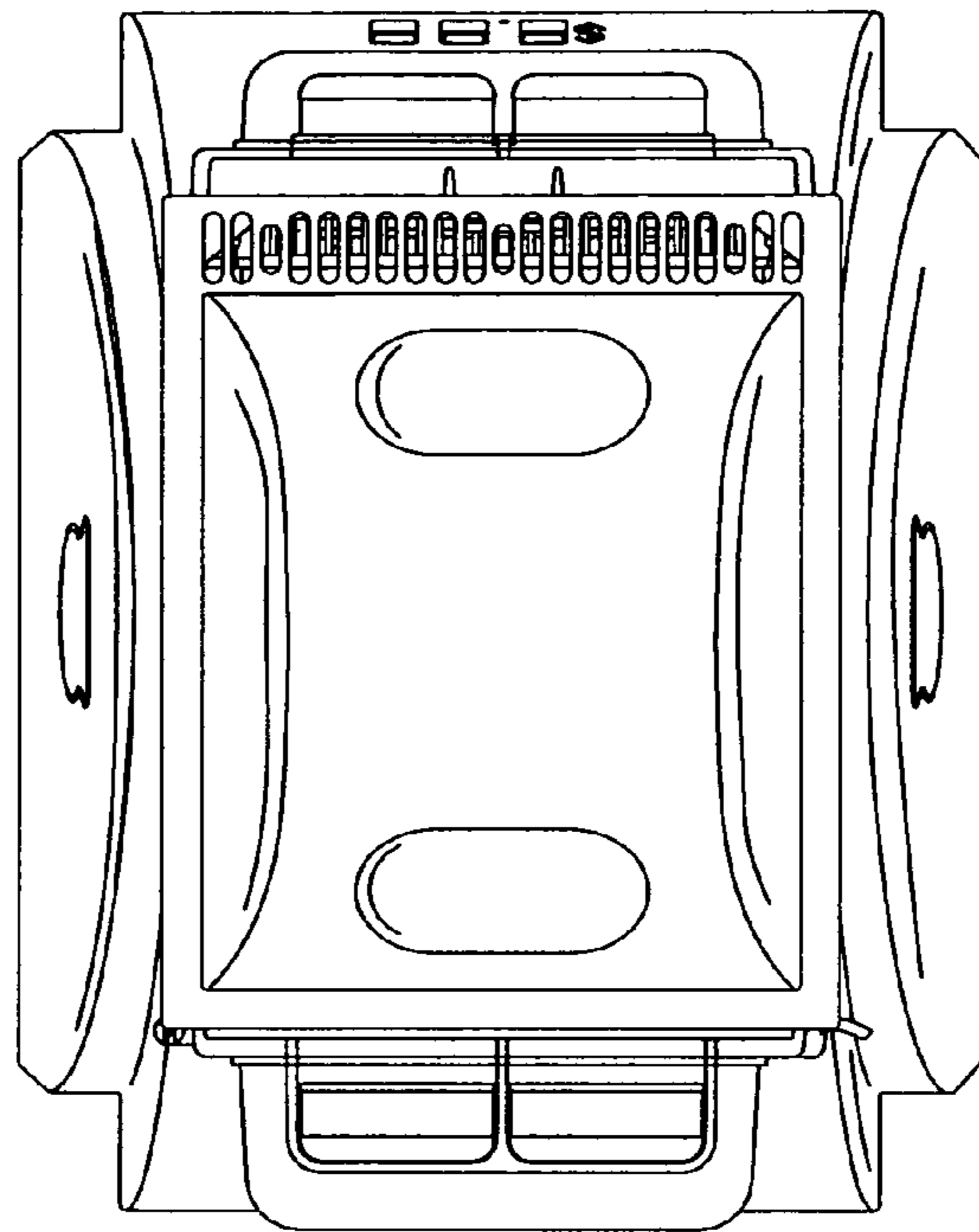


FIG 6

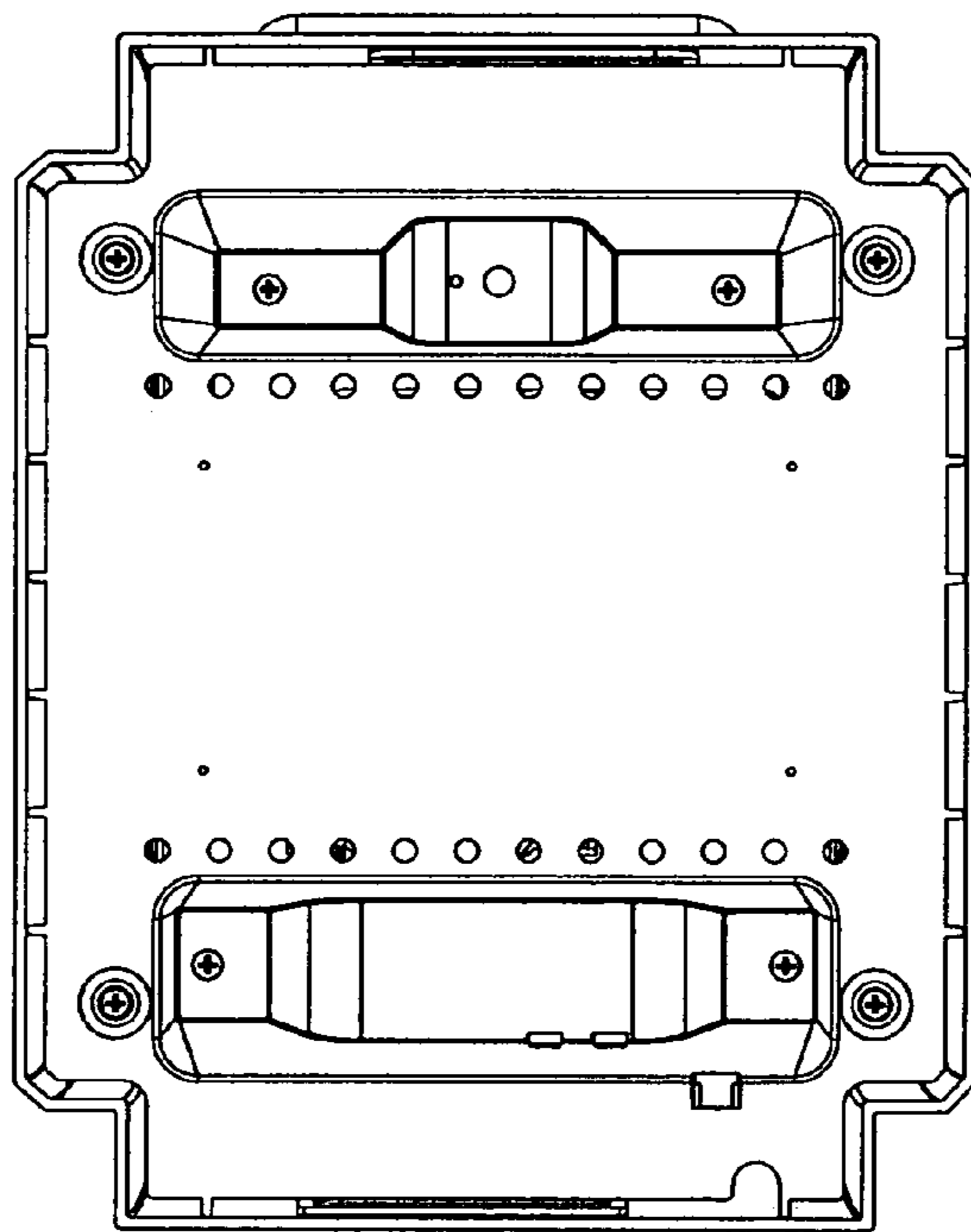


FIG 7