



US00D589985S

(12) **United States Design Patent**  
**Steinfels**

(10) **Patent No.:** **US D589,985 S**

(45) **Date of Patent:** **\*\* Apr. 7, 2009**

(54) **HAND PORTABLE AIR COMPRESSOR**

(75) Inventor: **Craig R. Steinfels**, Jackson, TN (US)

(73) Assignee: **Black & Decker Inc.**, Newark, DE (US)

(\*\*) Term: **14 Years**

(21) Appl. No.: **29/321,854**

(22) Filed: **Jul. 24, 2008**

(51) **LOC (9) Cl.** ..... **15-02**

(52) **U.S. Cl.** ..... **D15/9**

(58) **Field of Classification Search** ..... D15/7-9;  
D23/231, 232, 225; 417/401.1, 359, 415-416,  
417/234, 321, 265, 405

See application file for complete search history.

(56) **References Cited**

**U.S. PATENT DOCUMENTS**

6,095,762 A	8/2000	Wheeler	
D446,793 S	8/2001	Matthew et al.	
D460,763 S	7/2002	Buck	
D499,744 S *	12/2004	Orschell et al.	..... D15/7
6,932,128 B2	8/2005	Turan, Jr.	
D512,075 S	11/2005	Buck	
D519,125 S	4/2006	Burford et al.	
D527,024 S	8/2006	Happ et al.	
D528,131 S	9/2006	Wu	
D529,051 S	9/2006	Chu	
7,140,845 B2	11/2006	Hsiao	
D539,310 S	3/2007	Matsuoka et al.	
D541,306 S	4/2007	Welsh et al.	
D553,158 S	10/2007	Caito	
D555,173 S	11/2007	Smith et al.	

D556,219 S	11/2007	Buck	
D559,273 S *	1/2008	Hernandez et al.	..... D15/9
D574,859 S	8/2008	Hernandez et al.	
2003/0102346 A1	6/2003	Chen	
2005/0214136 A1	9/2005	Tsai	
2006/0104836 A1	5/2006	Phillips	
2007/0269318 A1	11/2007	Bass	
2008/0181794 A1	7/2008	Steinfels et al.	

**FOREIGN PATENT DOCUMENTS**

JP	20077231815	9/2007
WO	0129421	4/2001

\* cited by examiner

*Primary Examiner*—R. Seifert

(74) *Attorney, Agent, or Firm*—Rhonda L. Barton; Michael P. Leary

(57) **CLAIM**

The ornamental design for a hand portable air compressor, as shown and described.

**DESCRIPTION**

FIG. 1 is a top/front perspective view of a hand portable air compressor showing my new design.

FIG. 2 is a front view thereof.

FIG. 3 is a rear view thereof.

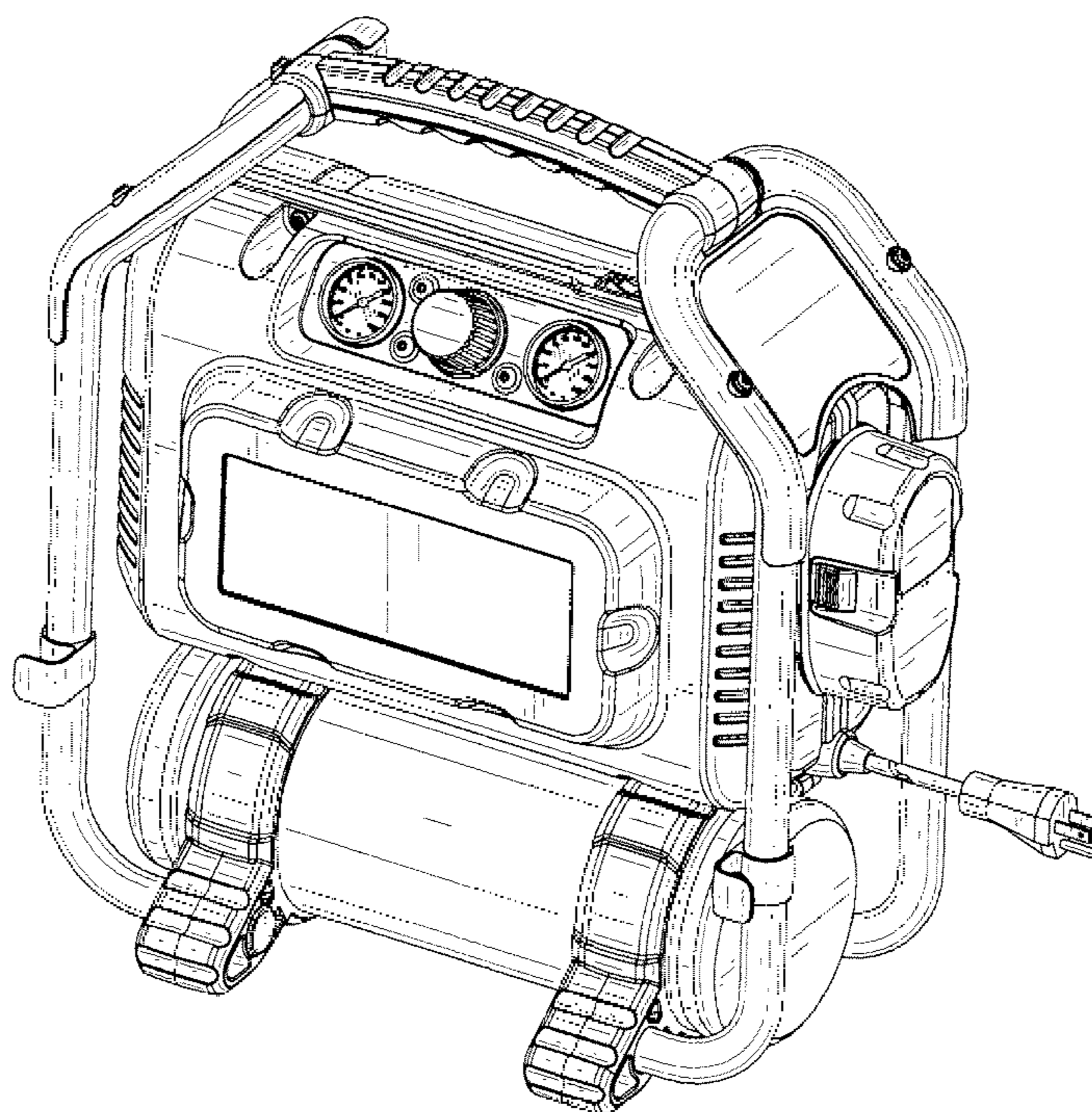
FIG. 4 is a left side view thereof.

FIG. 5 is a right side view thereof.

FIG. 6 is a top view thereof; and,

FIG. 7 is a bottom view thereof.

**1 Claim, 5 Drawing Sheets**



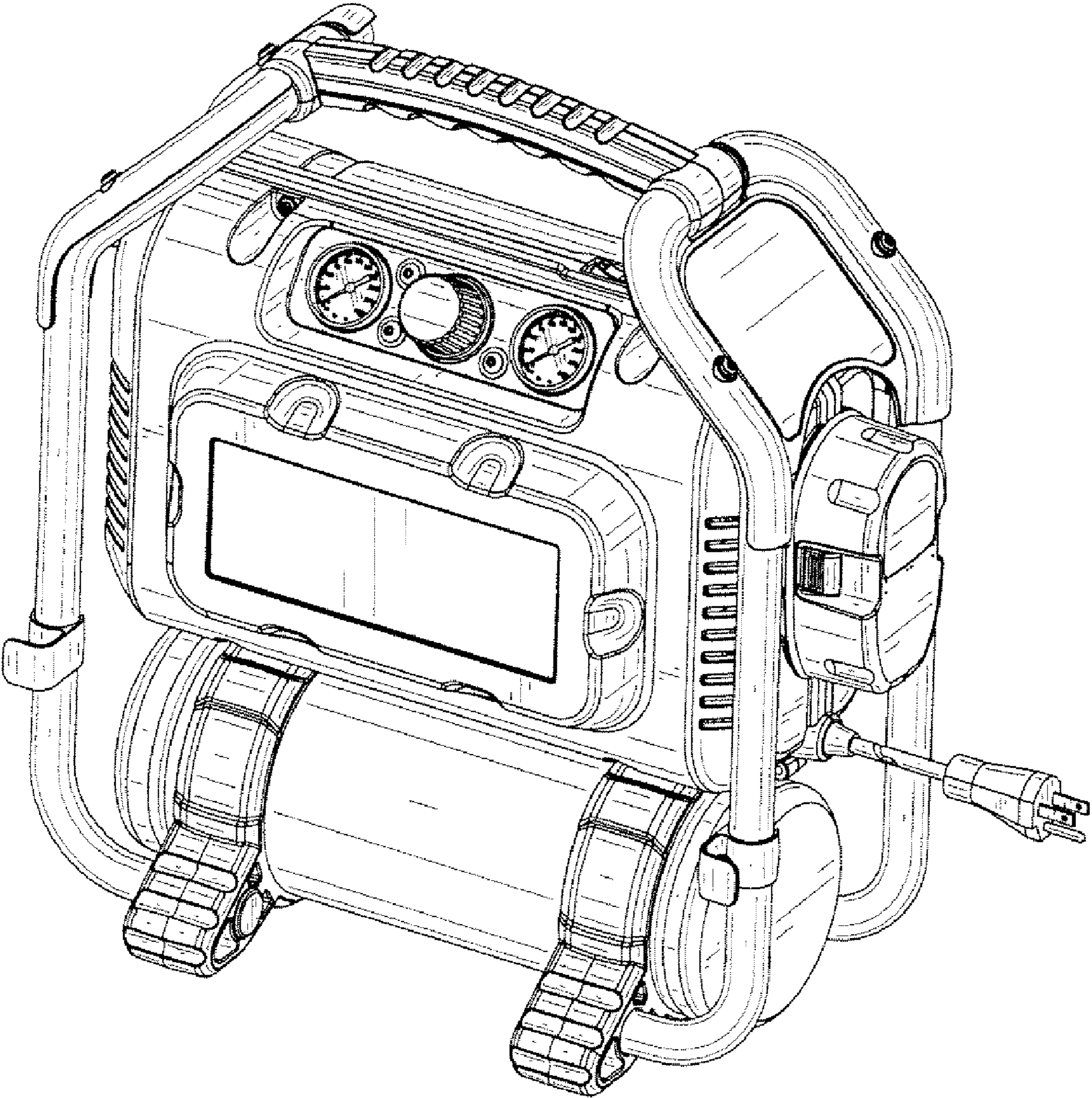


FIG. 1



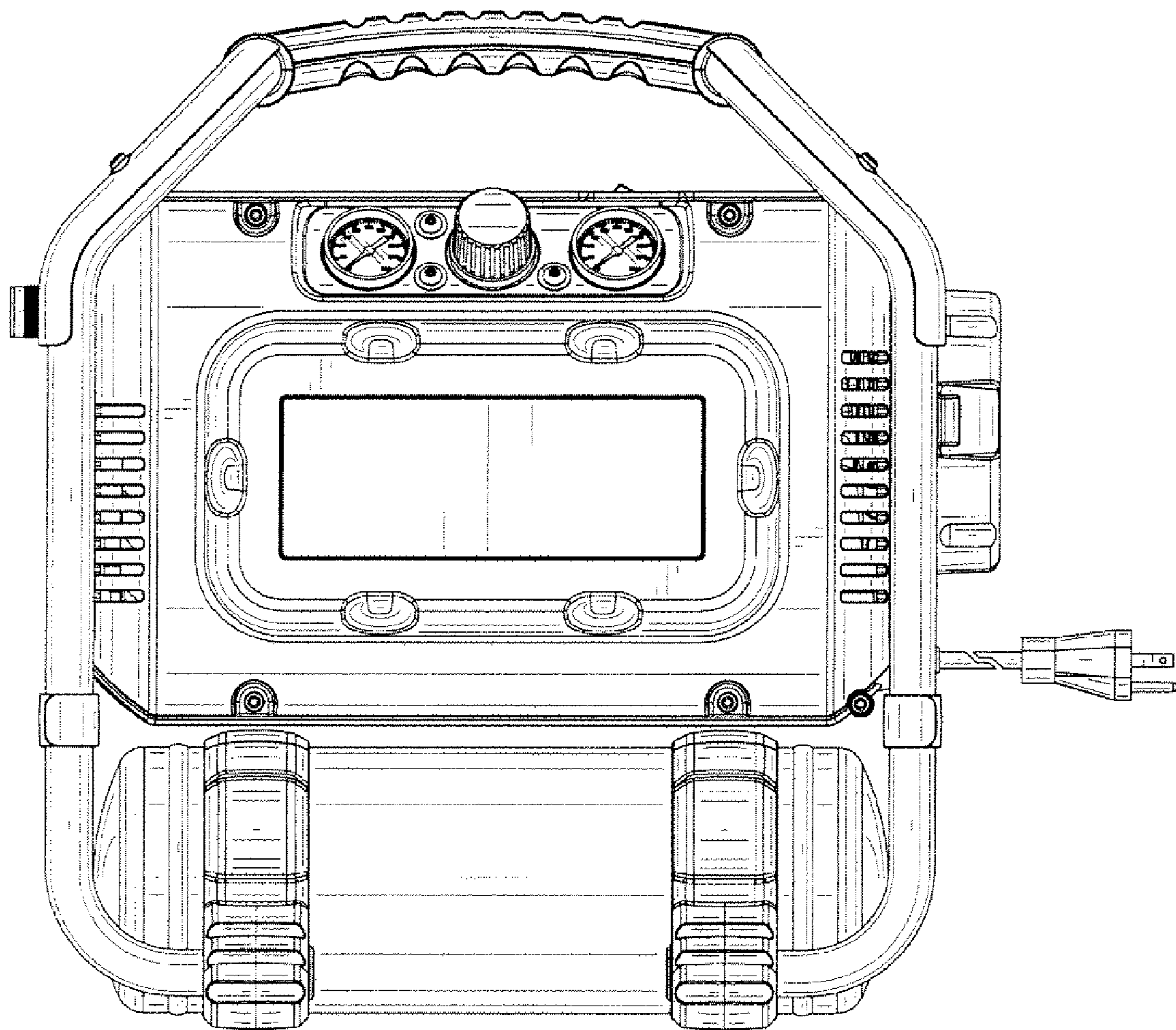


FIG. 2

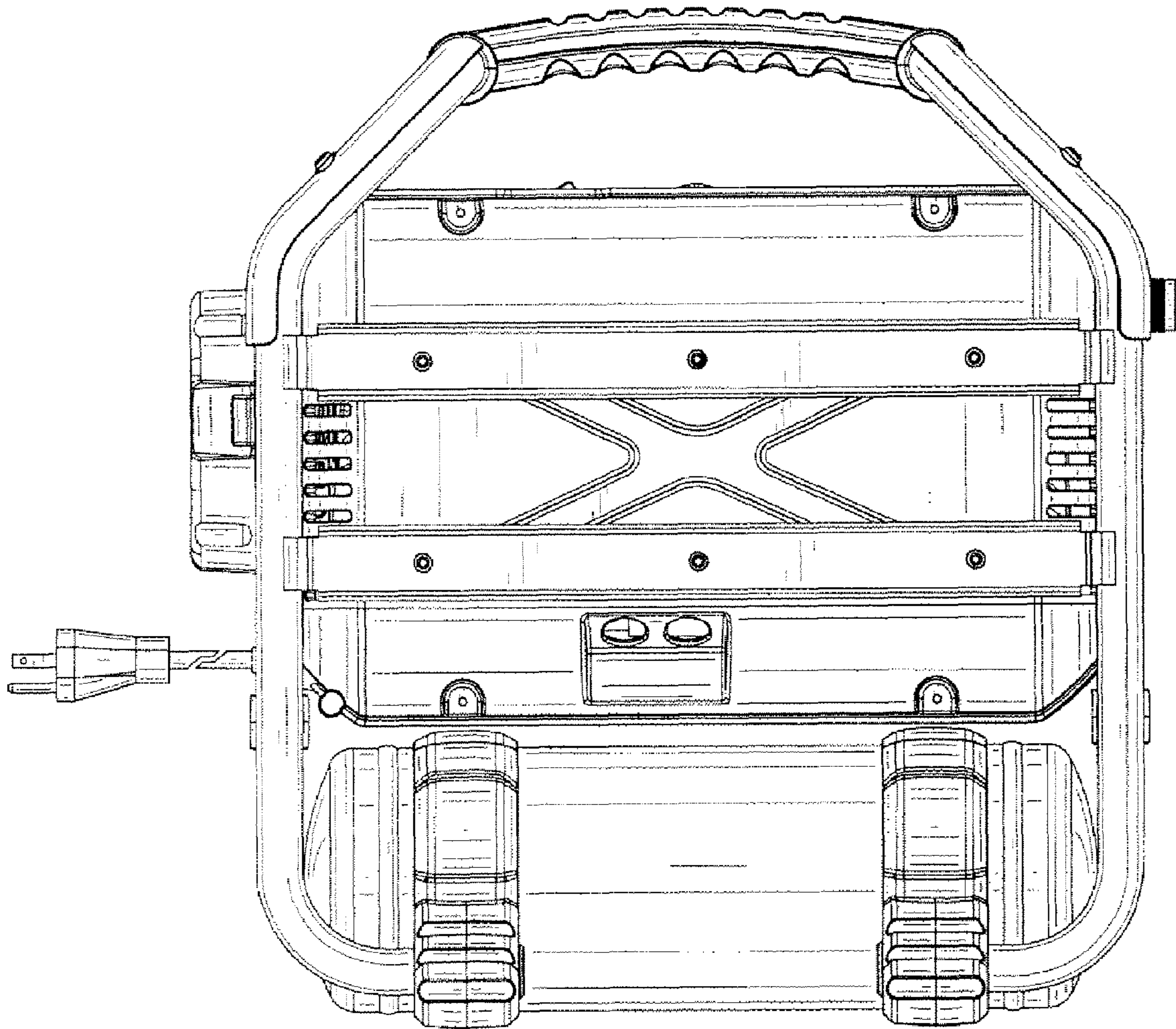


FIG. 3



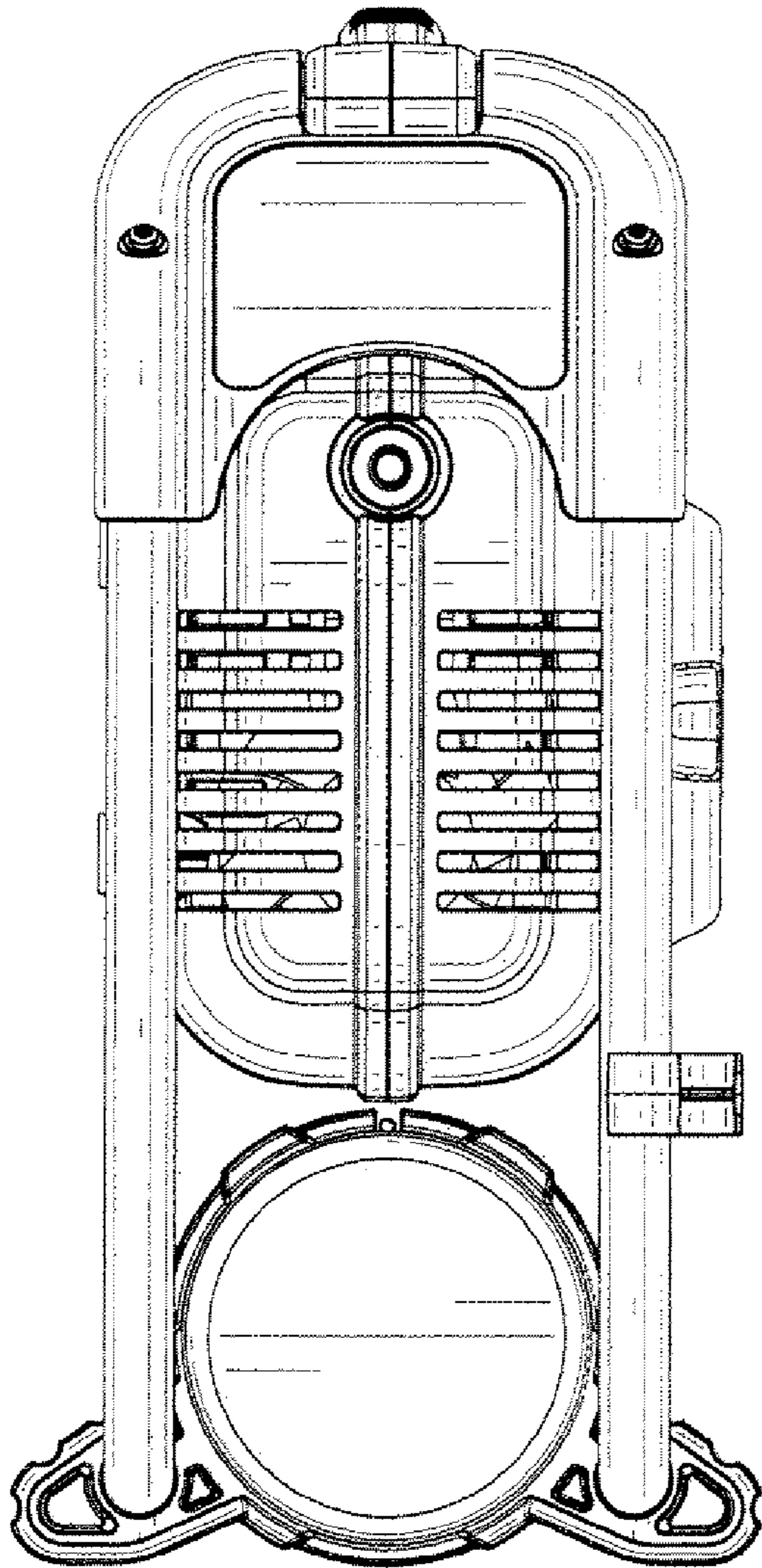


FIG. 4

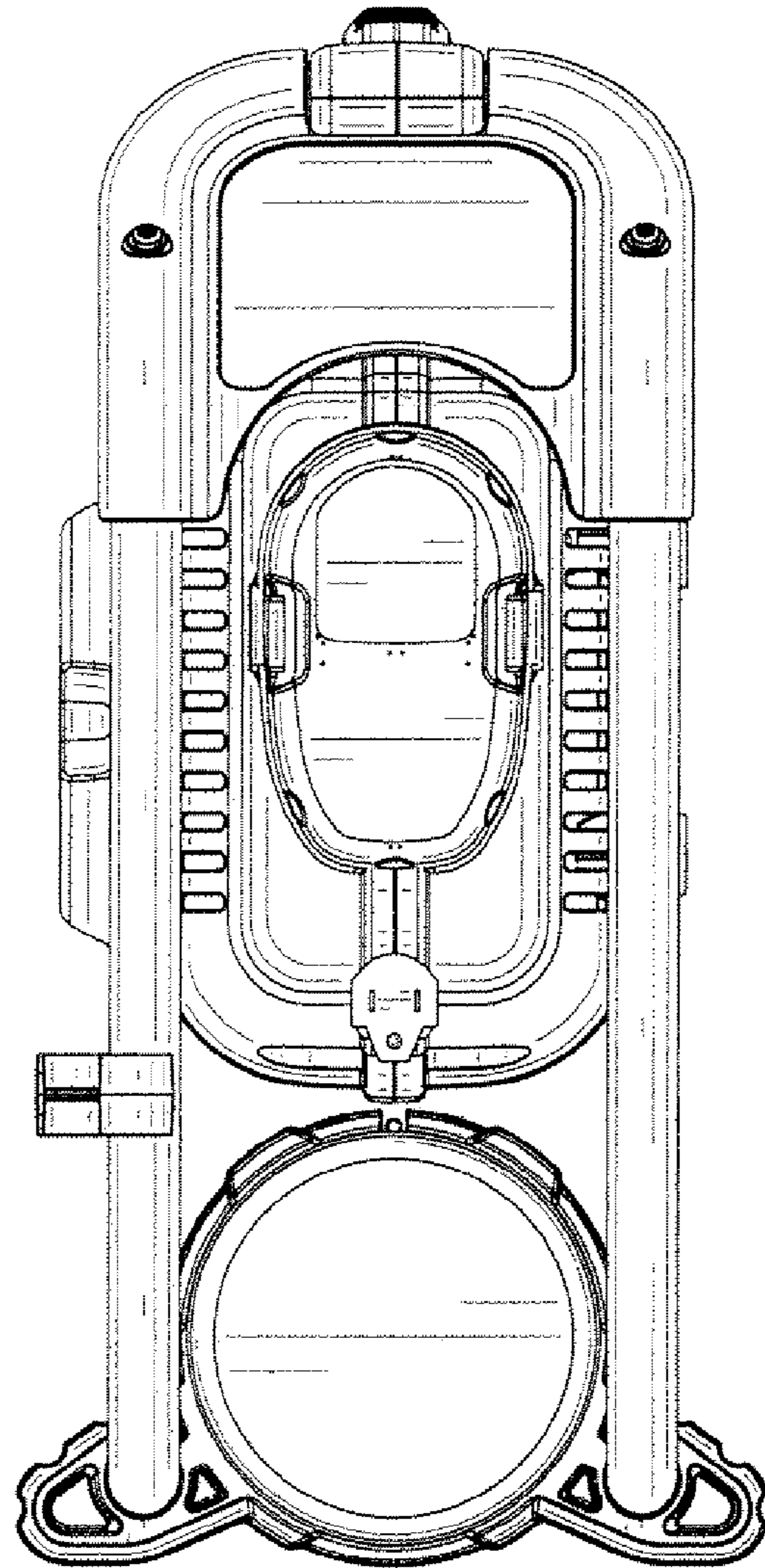


FIG. 5

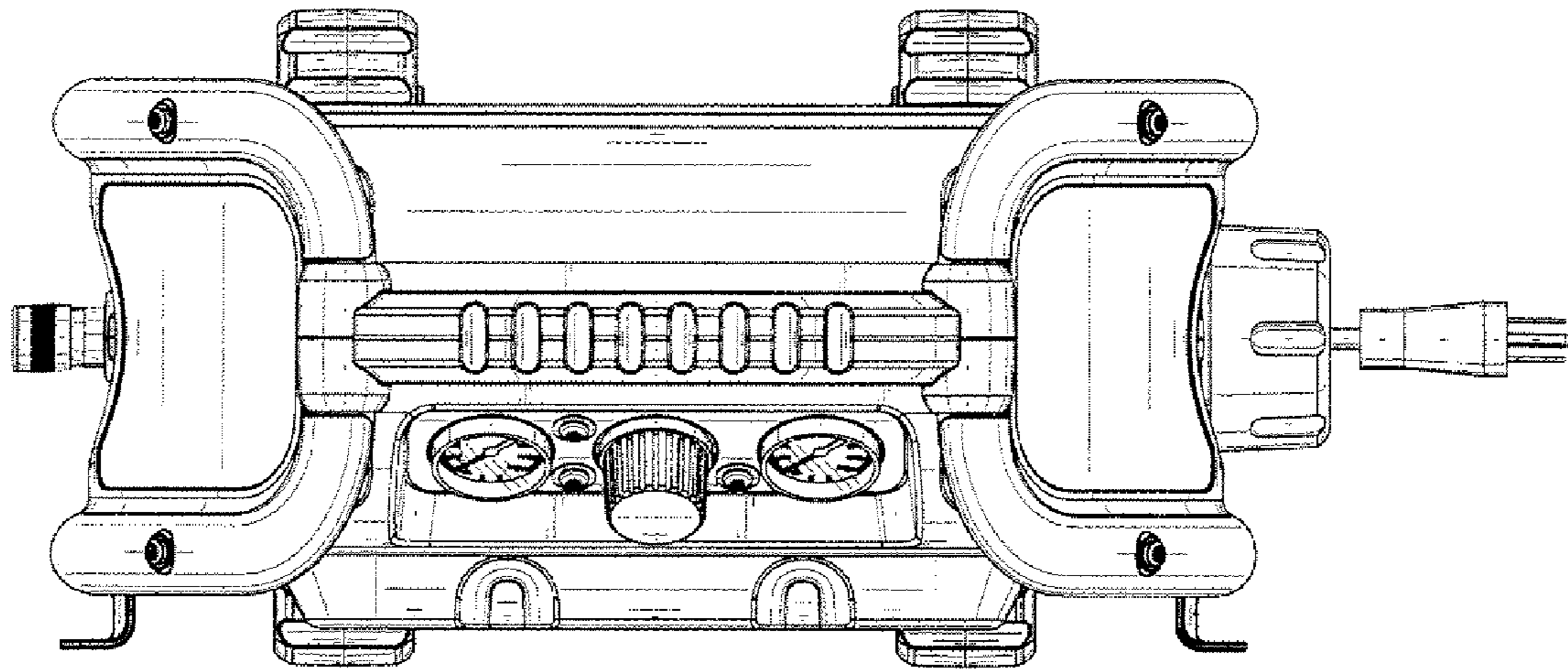


FIG. 6

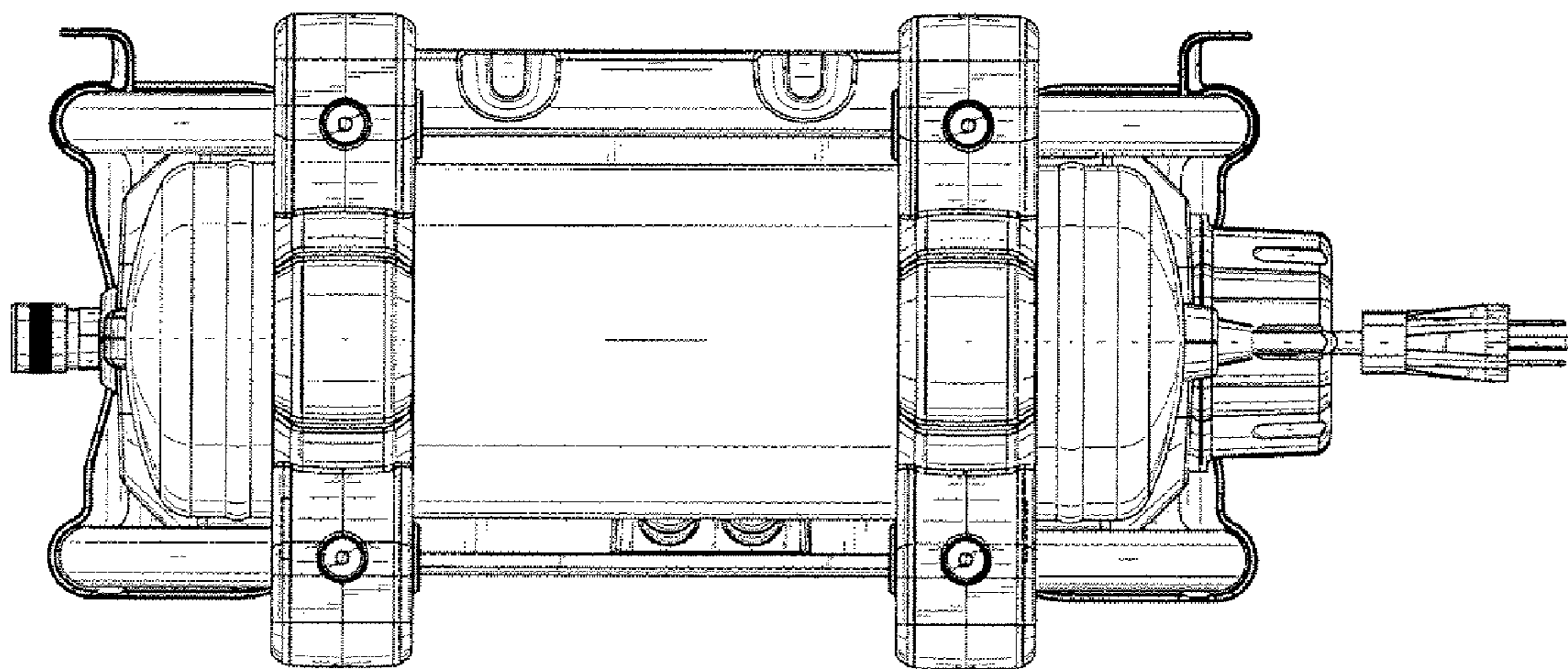


FIG. 7