



US00D589983S

(12) **United States Design Patent**  
**Sinico**

(10) **Patent No.:** **US D589,983 S**

(45) **Date of Patent:** **\*\* Apr. 7, 2009**

(54) **PUMP**

(75) **Inventor:** **Francesco Sinico**, Montecchio Maggiore (IT)

(73) **Assignee:** **Dab Pumps S.p.A.**, Mestrino (IT)

(\*\*) **Term:** **14 Years**

(21) **Appl. No.:** **29/300,716**

(22) **Filed:** **Apr. 30, 2008**

(30) **Foreign Application Priority Data**

Nov. 23, 2007 (EM) ..... 000831581

(51) **LOC (9) Cl.** ..... **15-02**

(52) **U.S. Cl.** ..... **D15/7**

(58) **Field of Classification Search** ..... D15/7-9;  
D23/231, 232, 225; 417/410.1, 359, 415-416,  
417/234, 321, 265, 405

See application file for complete search history.

(56) **References Cited**

**U.S. PATENT DOCUMENTS**

D221,258 S \* 7/1971 Saddler ..... D15/7

D450,327 S \* 11/2001 Mori et al. .... D15/7  
D453,525 S \* 2/2002 Lutes ..... D15/7  
D512,441 S \* 12/2005 Iwata ..... D15/7

\* cited by examiner

*Primary Examiner*—R. Seifert

(74) *Attorney, Agent, or Firm*—Modiano & Associati; Albert Josif; Daniel J. O’Byrne

(57) **CLAIM**

The ornamental design for “pump,” as shown.

**DESCRIPTION**

FIG. 1 is a perspective view of a pump showing my new design;

FIG. 2 is a front view thereof;

FIG. 3 is a rear view thereof;

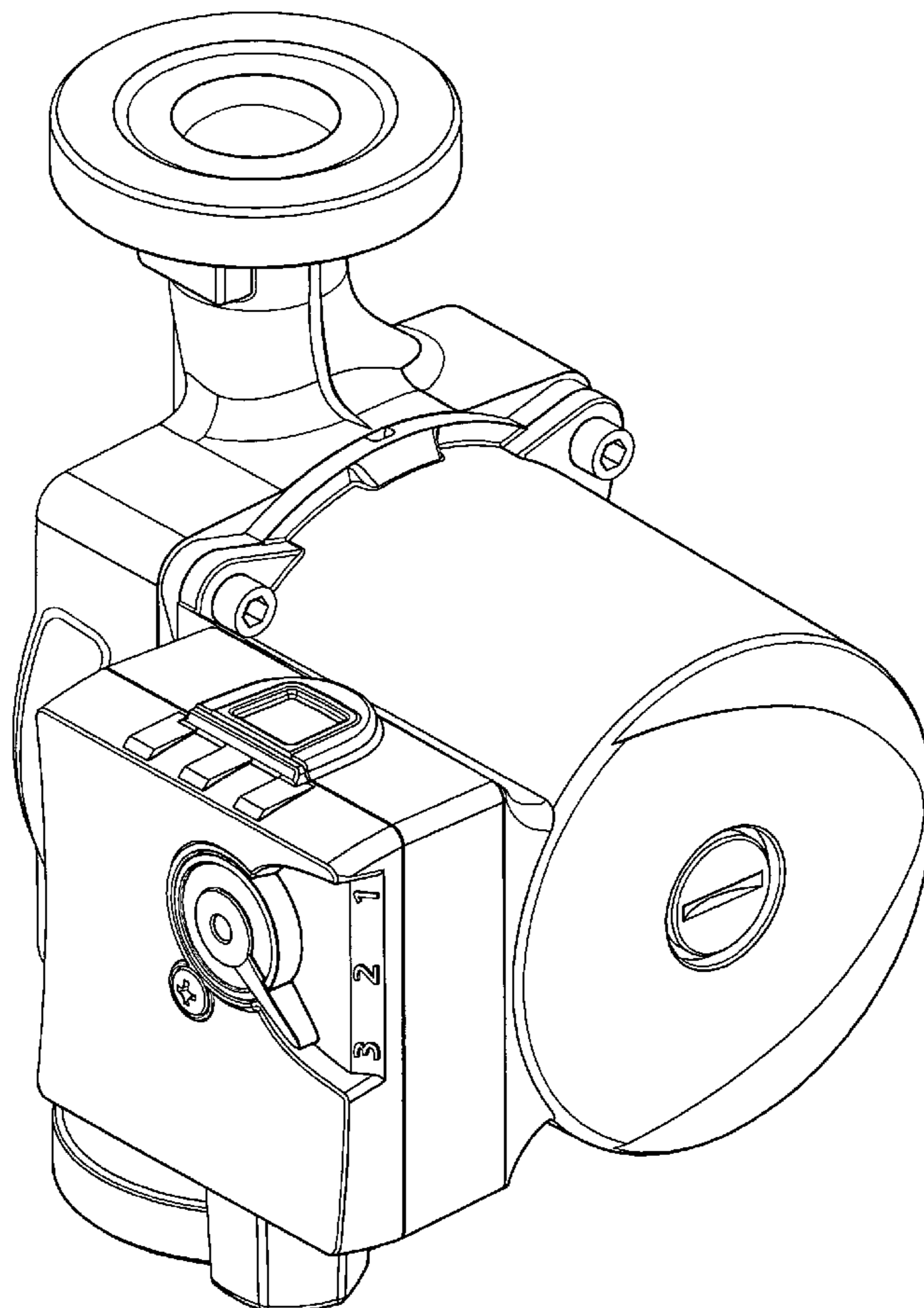
FIG. 4 is a left side view thereof;

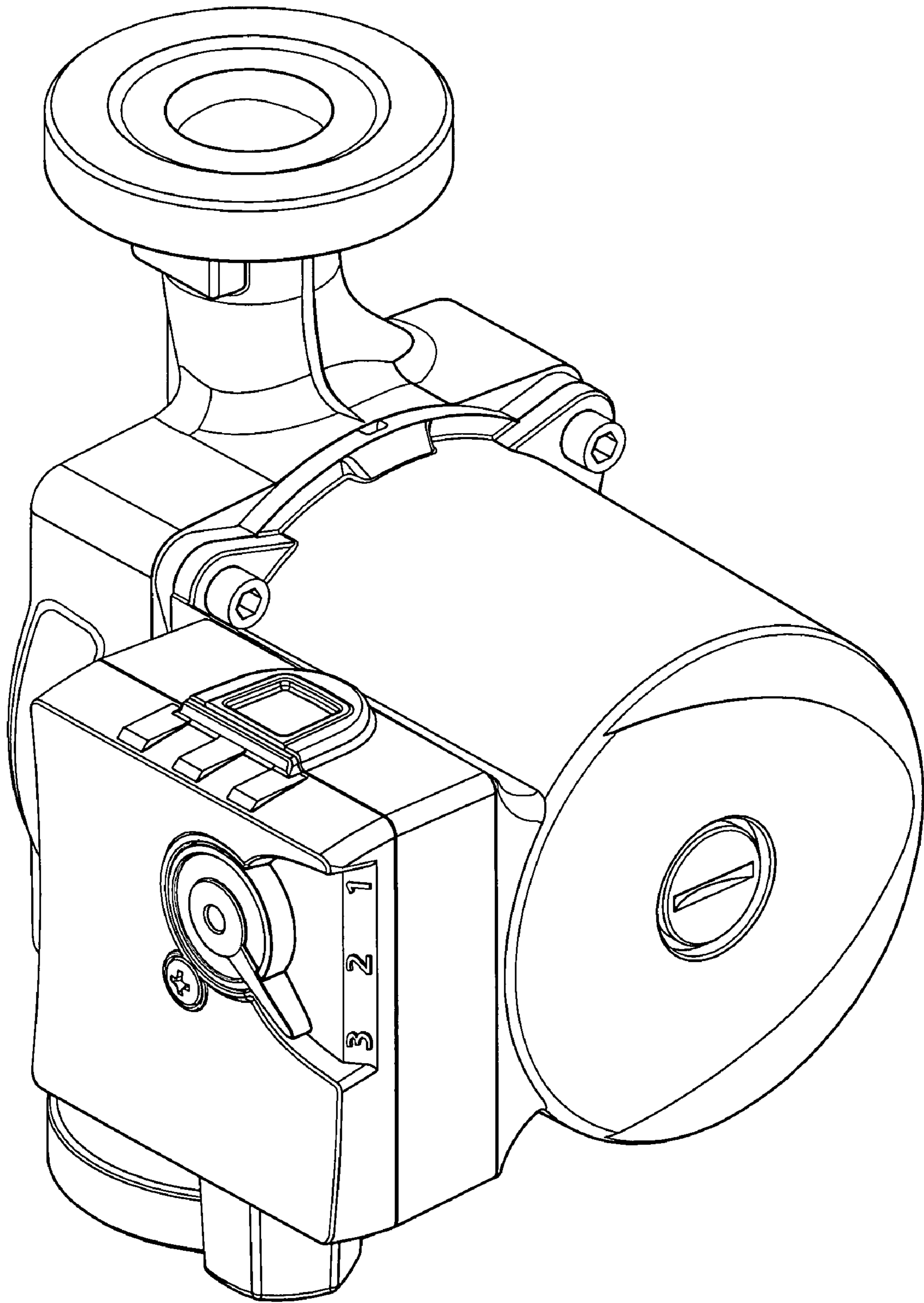
FIG. 5 is a right side view thereof;

FIG. 6 is a top view thereof; and,

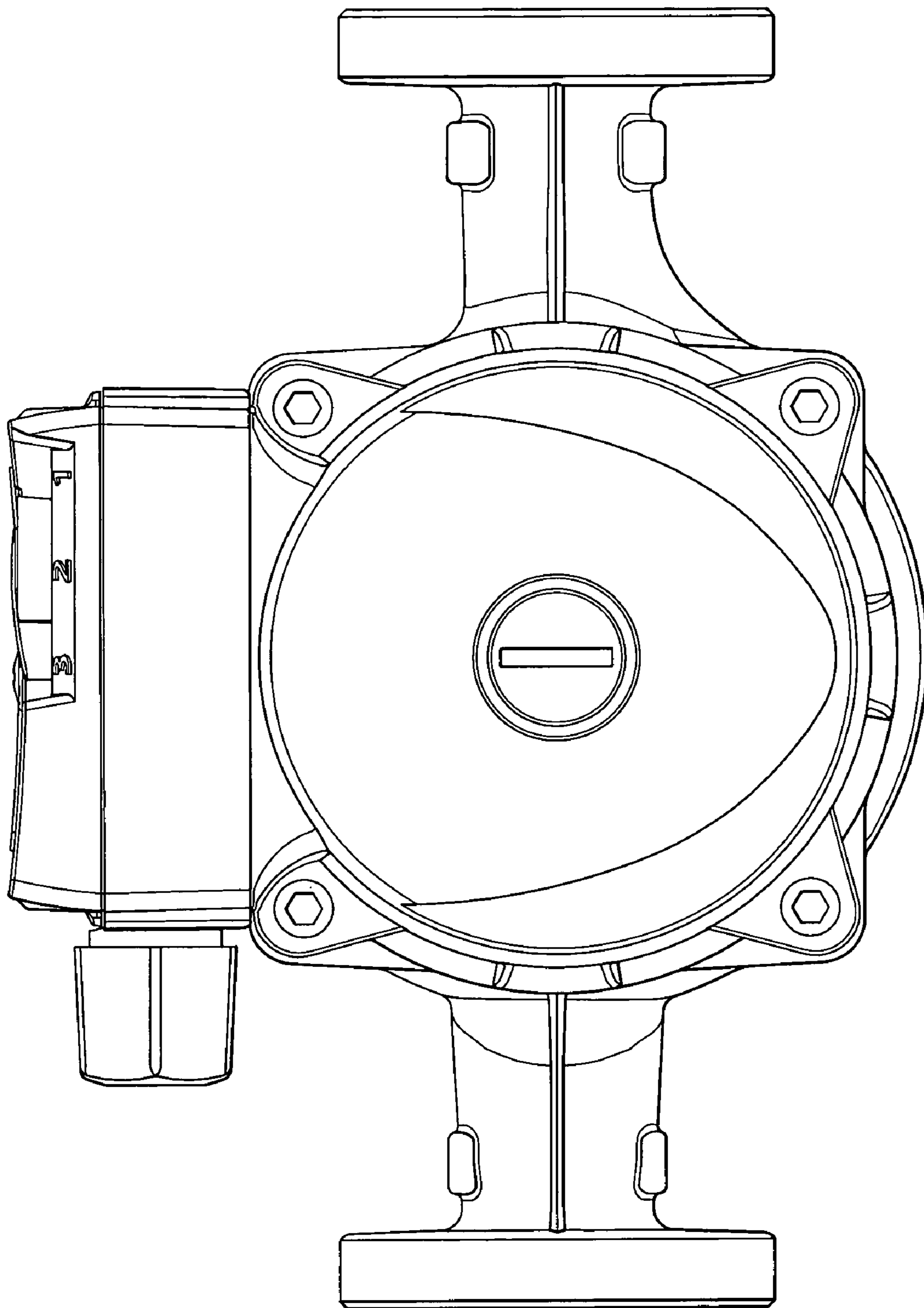
FIG. 7 is a bottom view thereof.

**1 Claim, 7 Drawing Sheets**

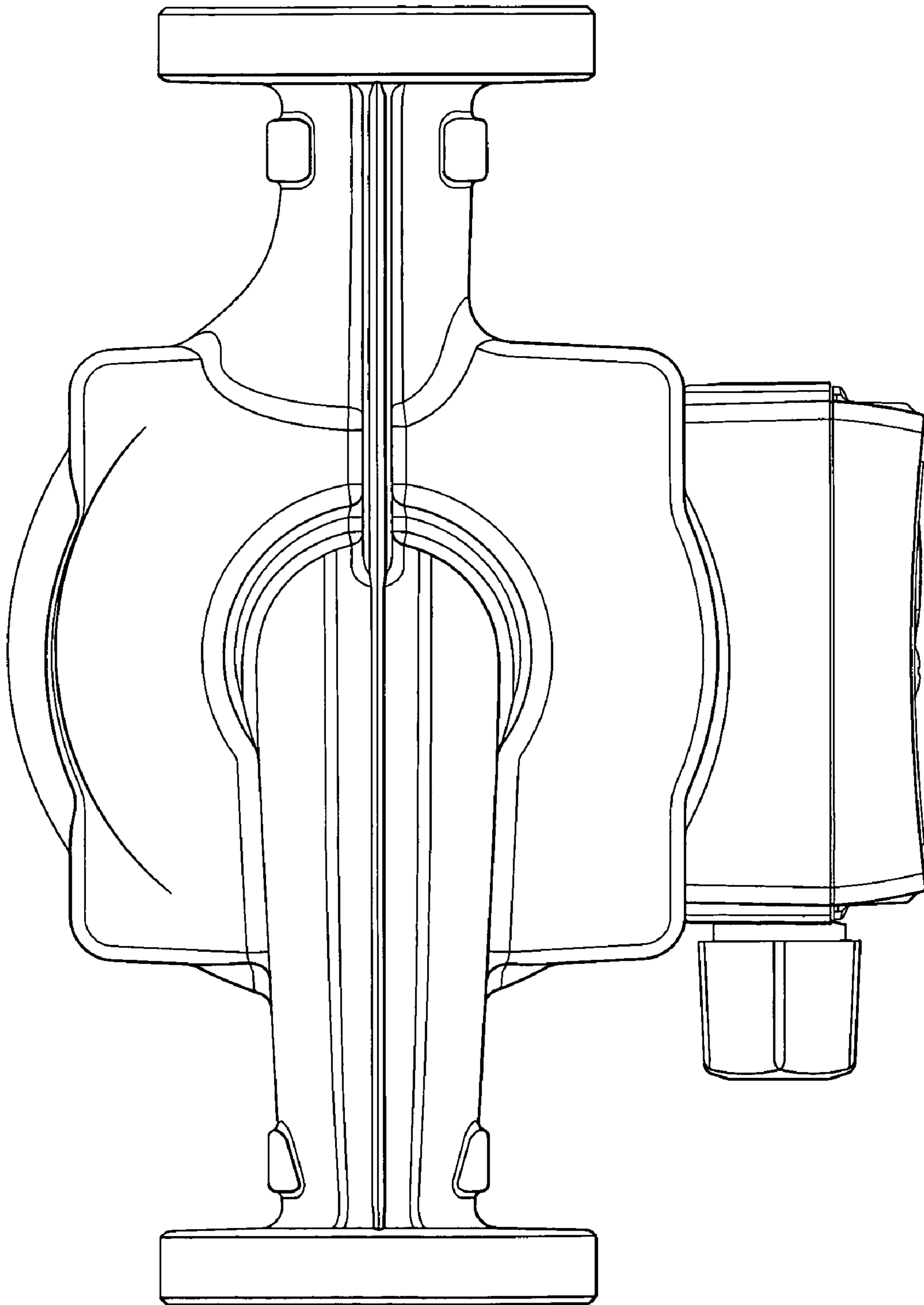




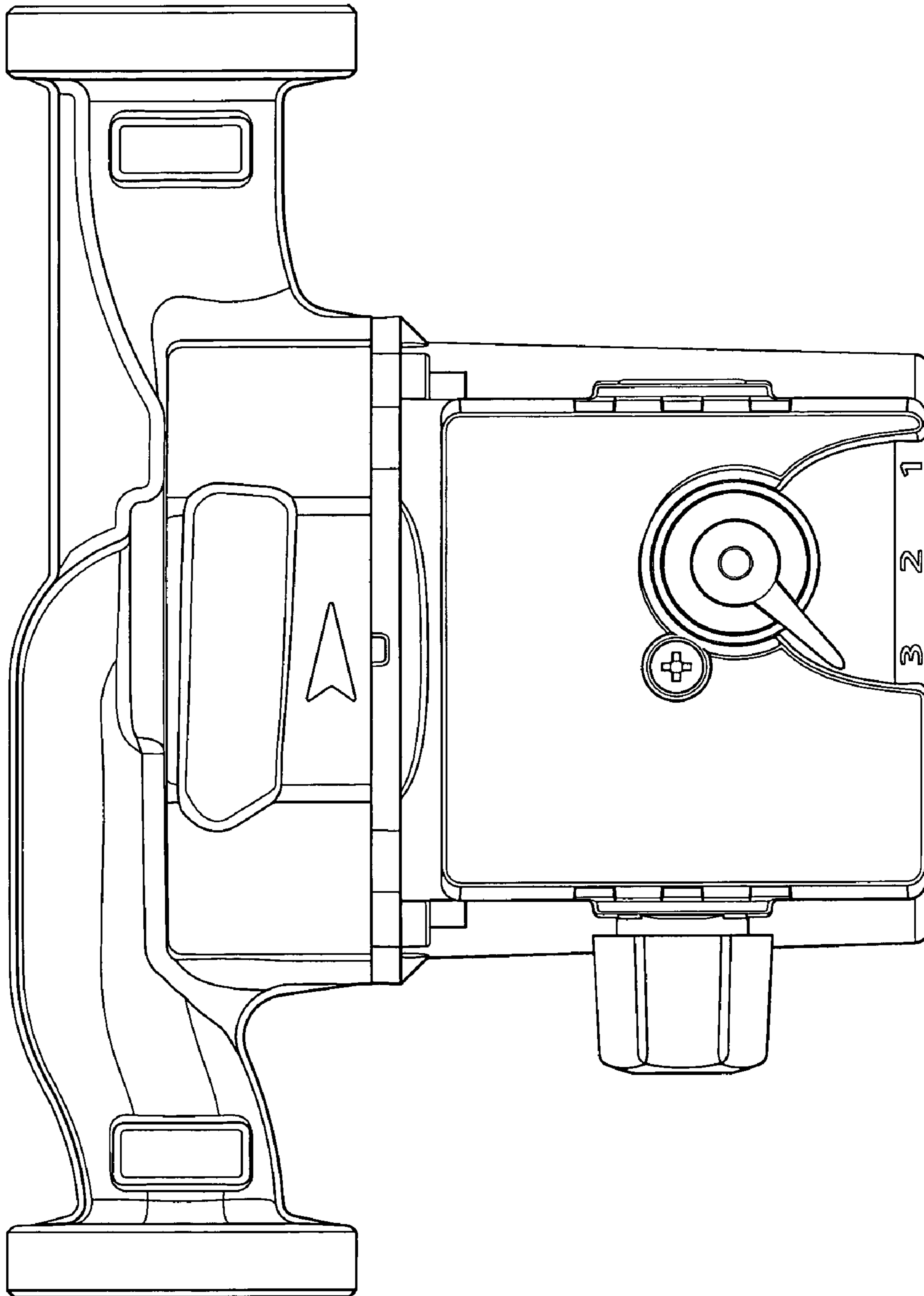
*Fig. 1*



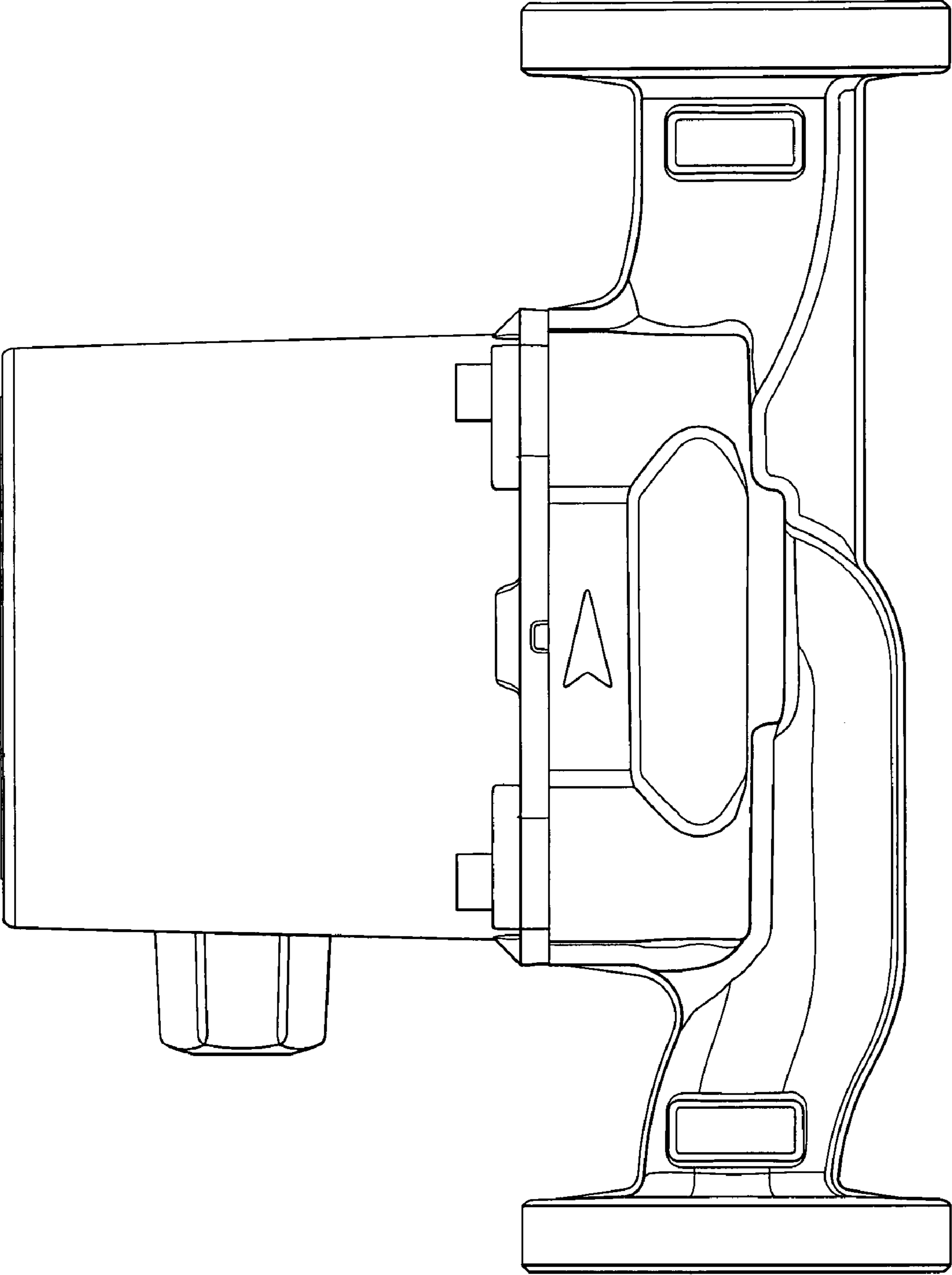
*Fig. 2*



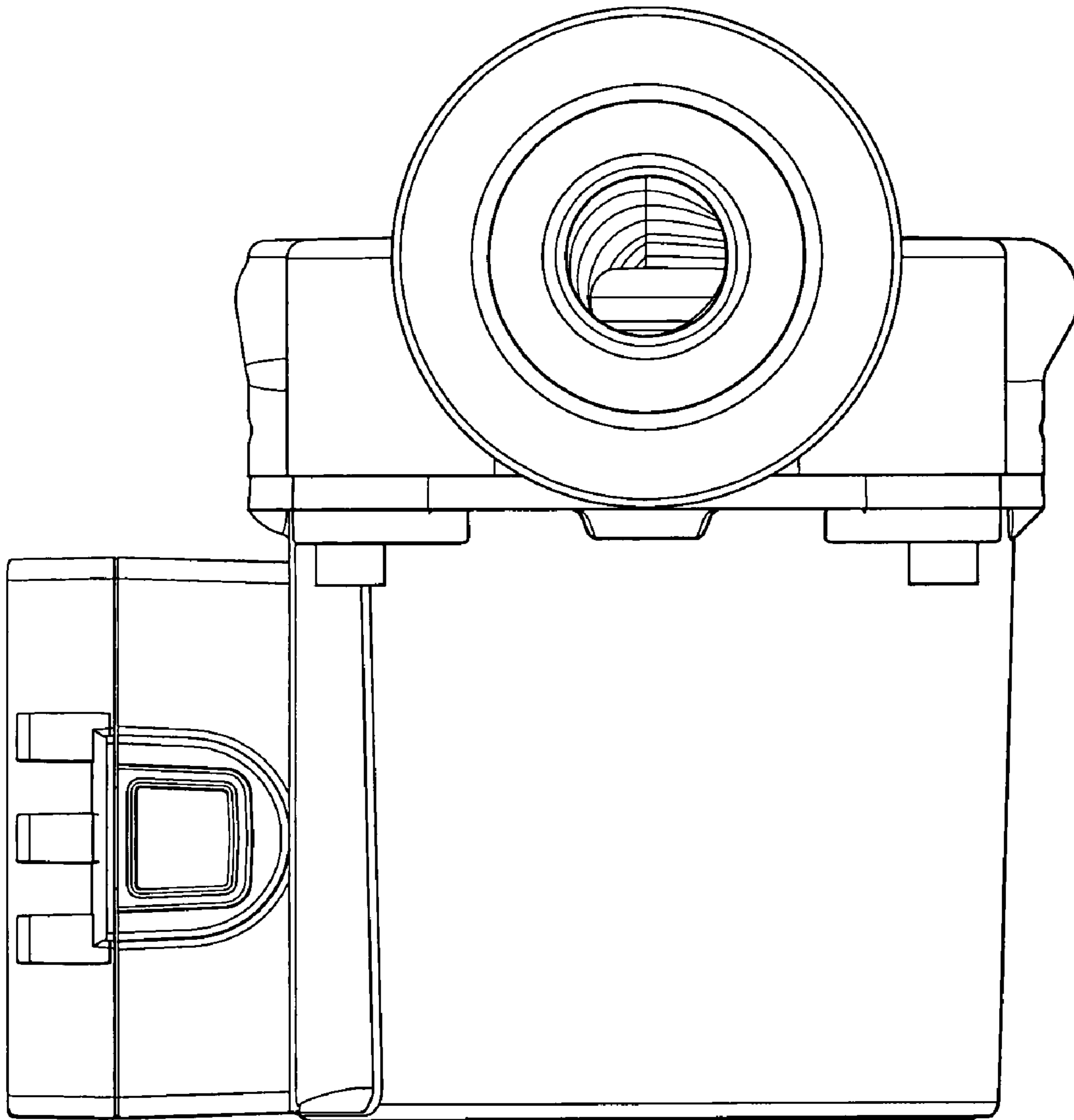
*Fig. 3*



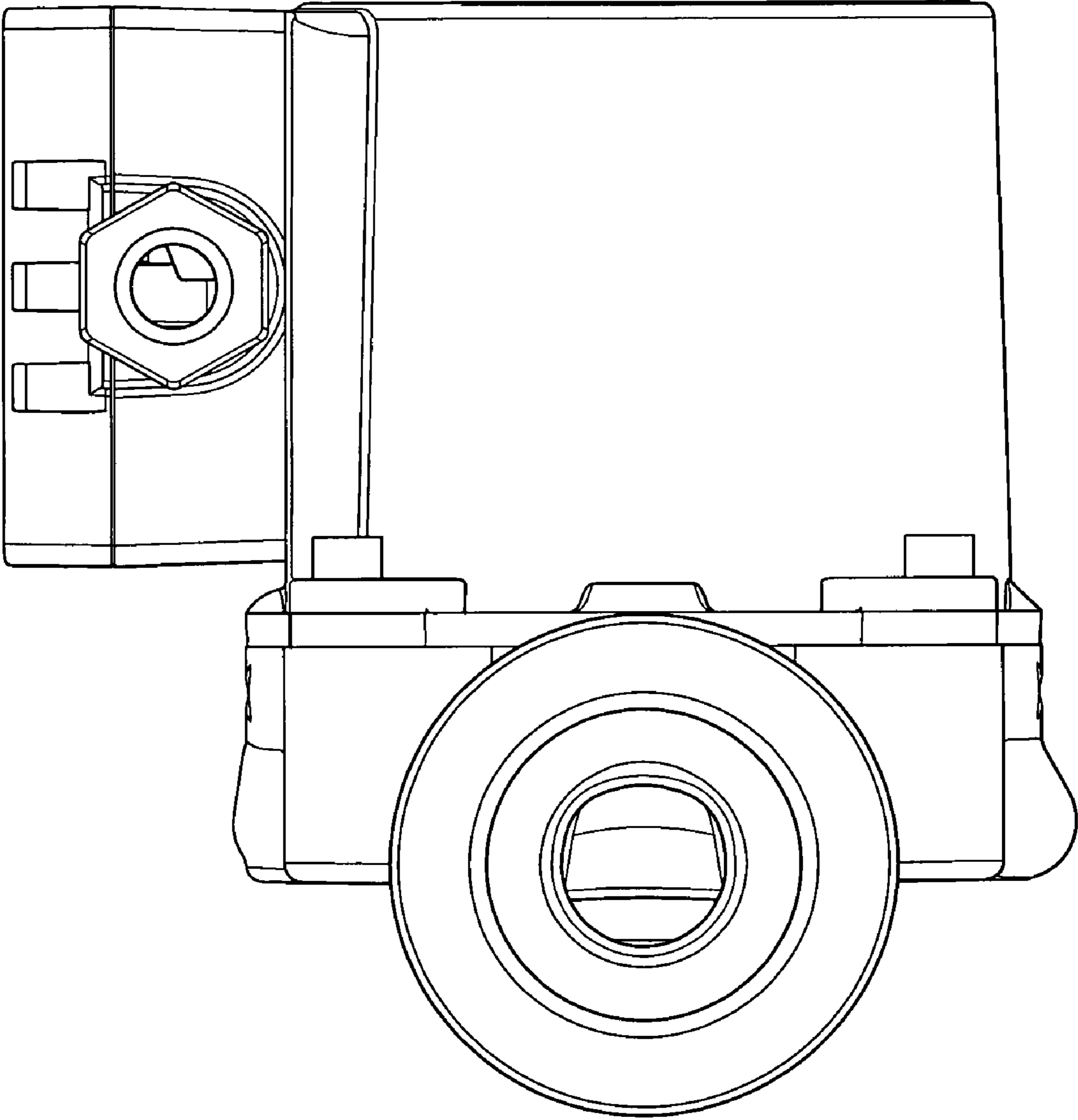
*Fig. 4*



*Fig. 5*



*Fig. 6*



*Fig. 7*