



US00D589980S

(12) **United States Design Patent**
Kaneko et al.

(10) **Patent No.:** **US D589,980 S**
(45) **Date of Patent:** **** Apr. 7, 2009**

(54) **BLU-RAY DISC PLAYER**

(75) Inventors: **Takuji Kaneko**, Daito (JP); **Chiaki Murata**, Toyonaka (JP)

(73) Assignee: **Funai Electric Company Limited**, Osaka (JP)

(**) Term: **14 Years**

(21) Appl. No.: **29/306,282**

(22) Filed: **Apr. 4, 2008**

(30) **Foreign Application Priority Data**

Dec. 27, 2007 (JP) 2007-036006

(51) **LOC (9) Cl.** **14-01**

(52) **U.S. Cl.** **D14/505**

(58) **Field of Classification Search** D14/496,
D14/498-511, 167-168, 188, 197-198, 357;
360/99.02, 99.07; 369/75.11, 75.21, 77.11,
369/77.21; 720/601, 612, 619, 649, 655;
455/344, 347-351

See application file for complete search history.

(56) **References Cited**

U.S. PATENT DOCUMENTS

D429,706 S * 8/2000 Miyazaki D14/135

D459,708 S * 7/2002 Moriya et al. D14/135
D472,534 S * 4/2003 Ueno et al. D14/505
D531,152 S * 10/2006 Moriya et al. D14/506

* cited by examiner

Primary Examiner—Nanda Bondade

(74) *Attorney, Agent, or Firm*—Sughrue Mion, PLLC

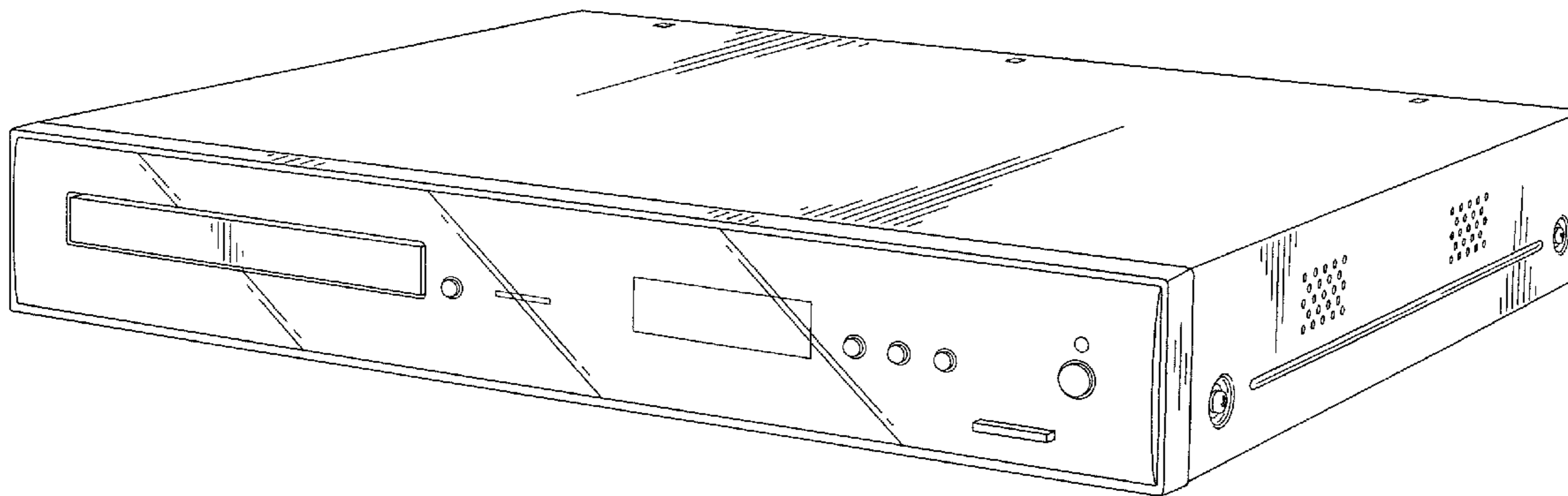
(57) **CLAIM**

The ornamental design for a Blu-Ray disc player, as shown and described.

DESCRIPTION

FIG. 1 is a perspective view of the Blu-Ray disc player;
FIG. 2 is a front view thereof;
FIG. 3 is a left side view thereof;
FIG. 4 is a right side view thereof;
FIG. 5 is a rear view thereof;
FIG. 6 is a top view thereof; and,
FIG. 7 is a bottom view thereof.

1 Claim, 4 Drawing Sheets



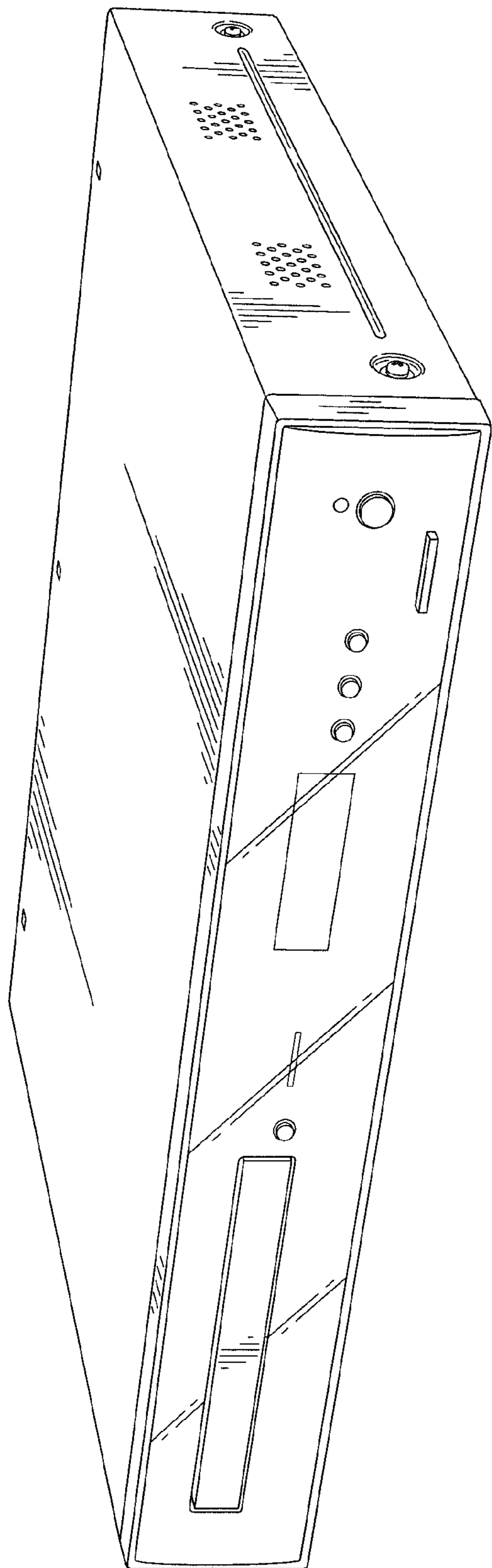


FIG. 1

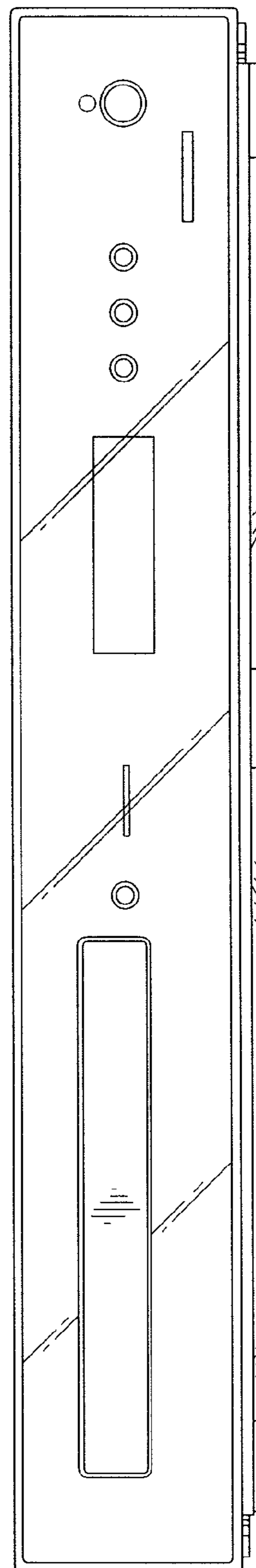


FIG. 2

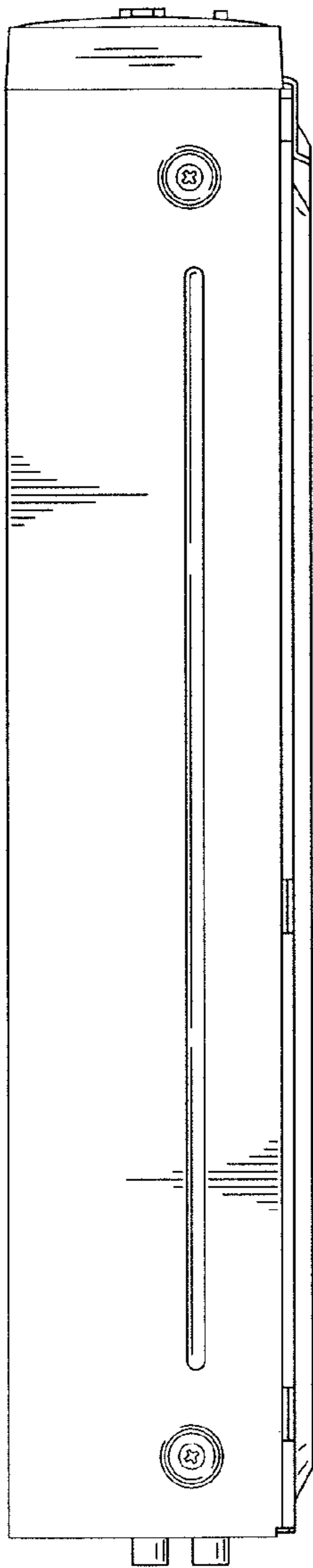


FIG. 3

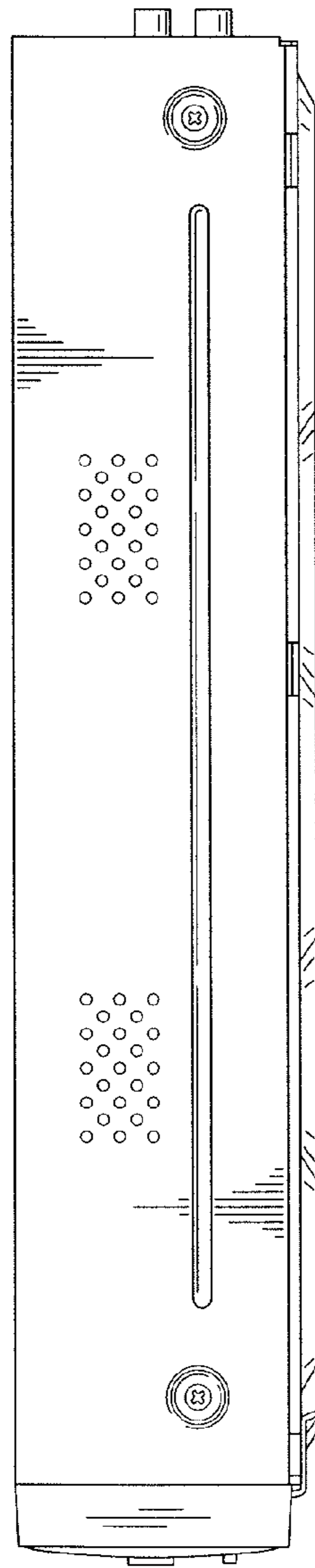


FIG. 4

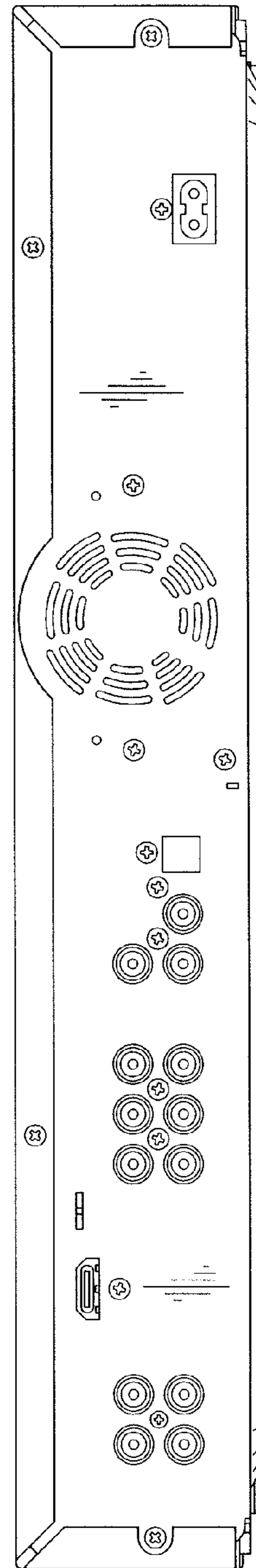


FIG. 5

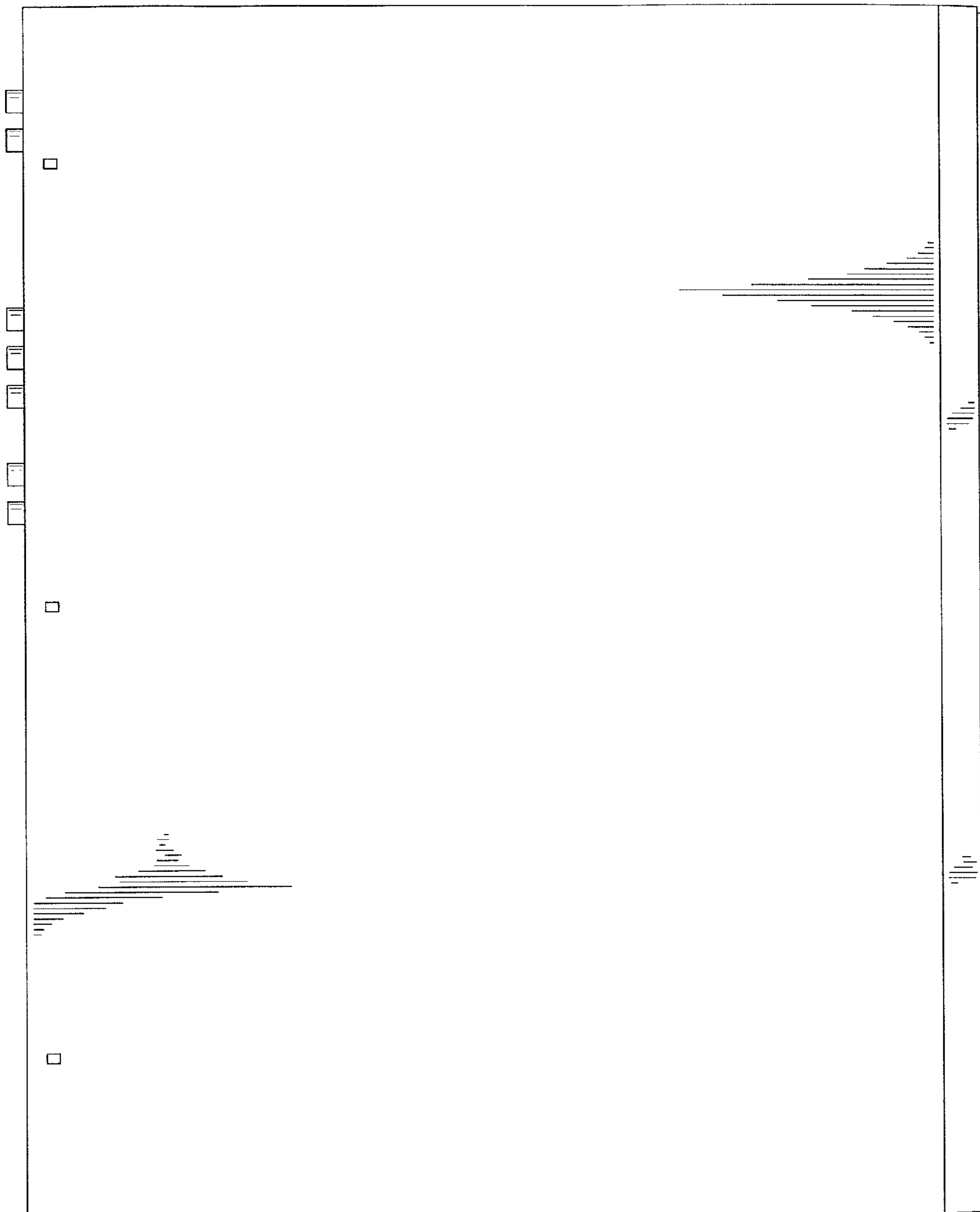


FIG. 6

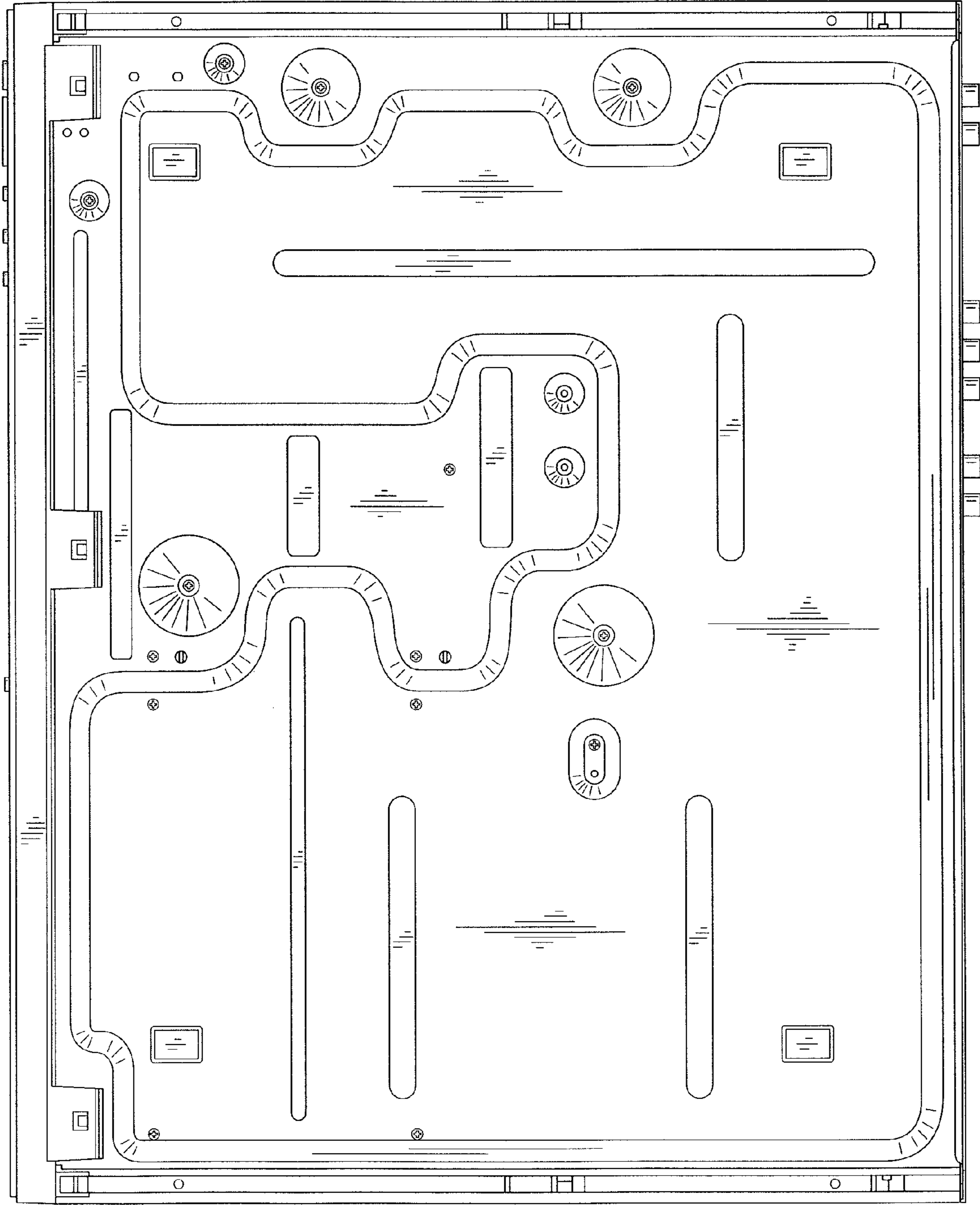


FIG. 7