



US00D589969S

(12) **United States Design Patent**
Shibata et al.

(10) **Patent No.:** **US D589,969 S**

(45) **Date of Patent:** **** Apr. 7, 2009**

(54) **TRANSITIONAL IMAGE FOR LIQUID CRYSTAL DISPLAY PANEL FOR FORKLIFT TRUCK**

(75) Inventors: **Naoki Shibata**, Aichi-Ken (JP); **Kumiko Shibata**, Aichi-Ken (JP)

(73) Assignee: **Mitsubishi Heavy Industries, Ltd.**, Tokyo (JP)

(**) Term: **14 Years**

(21) Appl. No.: **29/273,010**

(22) Filed: **Feb. 26, 2007**

(30) **Foreign Application Priority Data**

Aug. 29, 2006 (JP) 2006-022856

(51) **LOC (9) Cl.** **32-00**

(52) **U.S. Cl.** **D14/486**

(58) **Field of Classification Search** D14/485, D14/486, 487, 488, 489, 490, 491, 492, 493, D14/494, 495; 715/212, 215, 216, 217, 221, 715/224, 227, 228, 235, 240, 243, 272, 275, 715/700, 703, 706, 716, 719, 727, 728, 730, 715/739, 757, 759, 762, 763, 764, 768, 775, 715/776, 780, 783, 792, 793, 799, 800, 808, 715/809, 810, 811, 812, 813, 817, 821, 822, 715/823, 825, 828, 829, 834, 835, 836, 837, 715/838, 839, 840, 841, 843, 845, 848, 849, 715/850, 851, 852; 715/861, 864, 867, 962, 715/963, 976, 977, 978; 345/589, 593, 594, 345/601, 902, 952, 955, 956, 960, 473; 700/16; 340/439, 440; D34/35

See application file for complete search history.

(56) **References Cited**

U.S. PATENT DOCUMENTS

D276,039 S * 10/1984 Tanaka D12/192

(Continued)

FOREIGN PATENT DOCUMENTS

EM 000264833-0003 * 12/2004
JP 2000-247164 A 9/2000
JP 2002-247706 A 8/2002

Primary Examiner—Jennifer Rivard

Assistant Examiner—Angela J Lee

(74) *Attorney, Agent, or Firm*—Birch, Stewart, Kolasch & Birch, LLP

(57) **CLAIM**

The ornamental design for a transitional image for liquid crystal display panel for forklift truck, as shown and described.

DESCRIPTION

FIG. 1 is a front view of first image of a transitional image for liquid crystal display panel for forklift truck showing our new design:

FIG. 2 is a rear view thereof;

FIG. 3 is a left side view thereof;

FIG. 4 is a right side view thereof

FIG. 5 is a top (plan) view thereof;

FIG. 6 is a bottom view thereof;

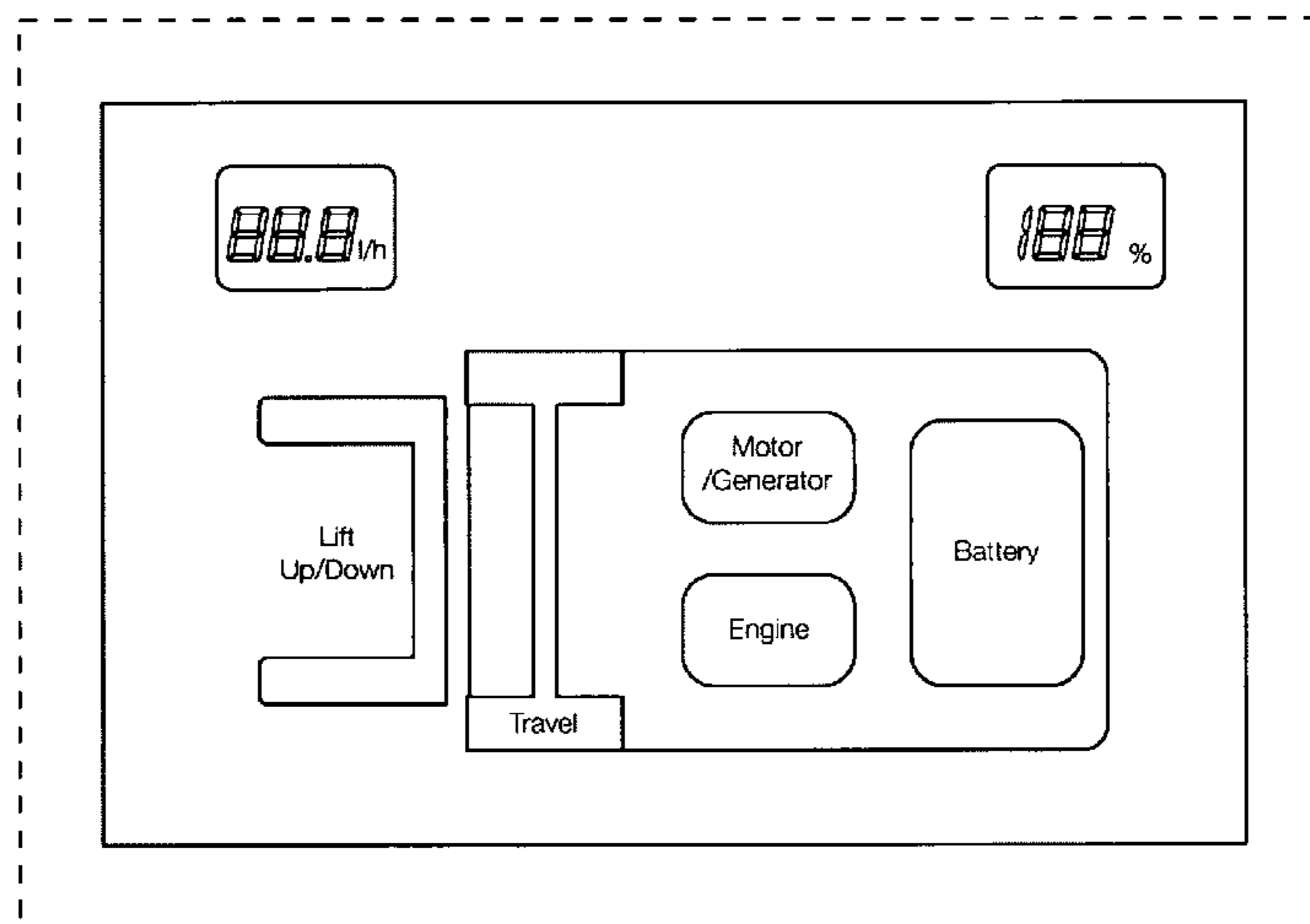
FIG. 7 is a front view of a second image of a transitional image for liquid crystal display panel for forklift truck showing our new design; and,

FIG. 8 is a front view of a third image of a transitional image for liquid crystal display panel for forklift truck showing our new design.

The broken line showing of a display panel is included for the purpose of illustrating the environmental structure and forms no part of the claimed design.

The appearance of the transitional image sequentially transitions between the images shown in FIGS. 1, 7 and 8. This process or period forms no part of the claimed design.

1 Claim, 8 Drawing Sheets



US D589,969 S

Page 2

U.S. PATENT DOCUMENTS

D278,804 S *	5/1985	Tanikawa	D10/125	7,143,363 B1 *	11/2006	Gaynor et al.	715/771
5,557,510 A *	9/1996	McIntyre et al.	700/17	2004/0207662 A1 *	10/2004	Anderson et al.	345/772
D412,157 S *	7/1999	Stevenson	D14/443	2005/0229110 A1 *	10/2005	Gegner et al.	715/800
6,216,060 B1 *	4/2001	Kishimoto	701/1	2006/0267749 A1 *	11/2006	Chenowth	340/440
6,470,303 B2 *	10/2002	Kidd et al.	703/8	2007/0100282 A1 *	5/2007	Small et al.	604/151
D509,831 S *	9/2005	Mitani et al.	D14/486	2008/0084332 A1 *	4/2008	Ritter et al.	340/989

* cited by examiner

FIG. 1

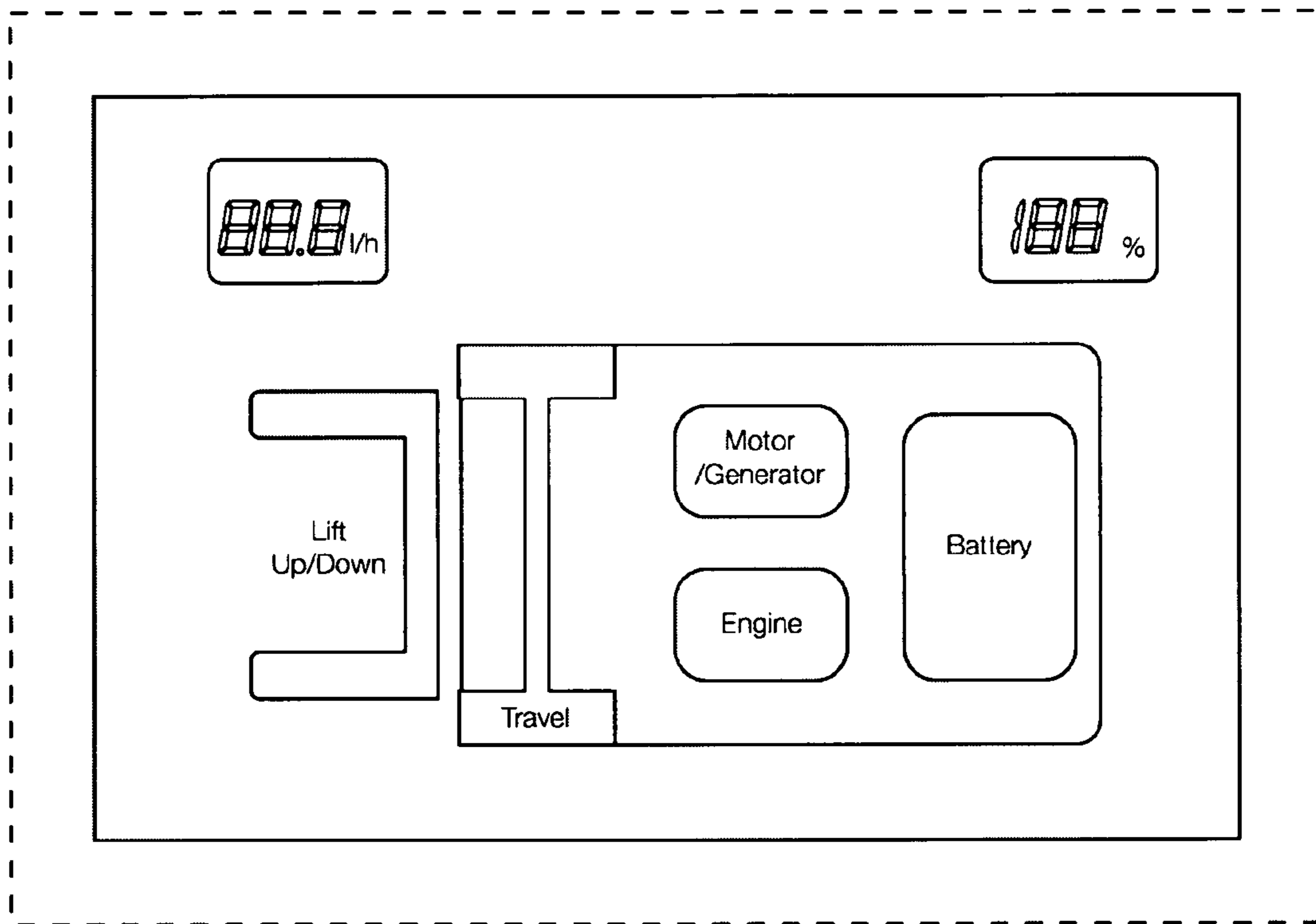


FIG.2

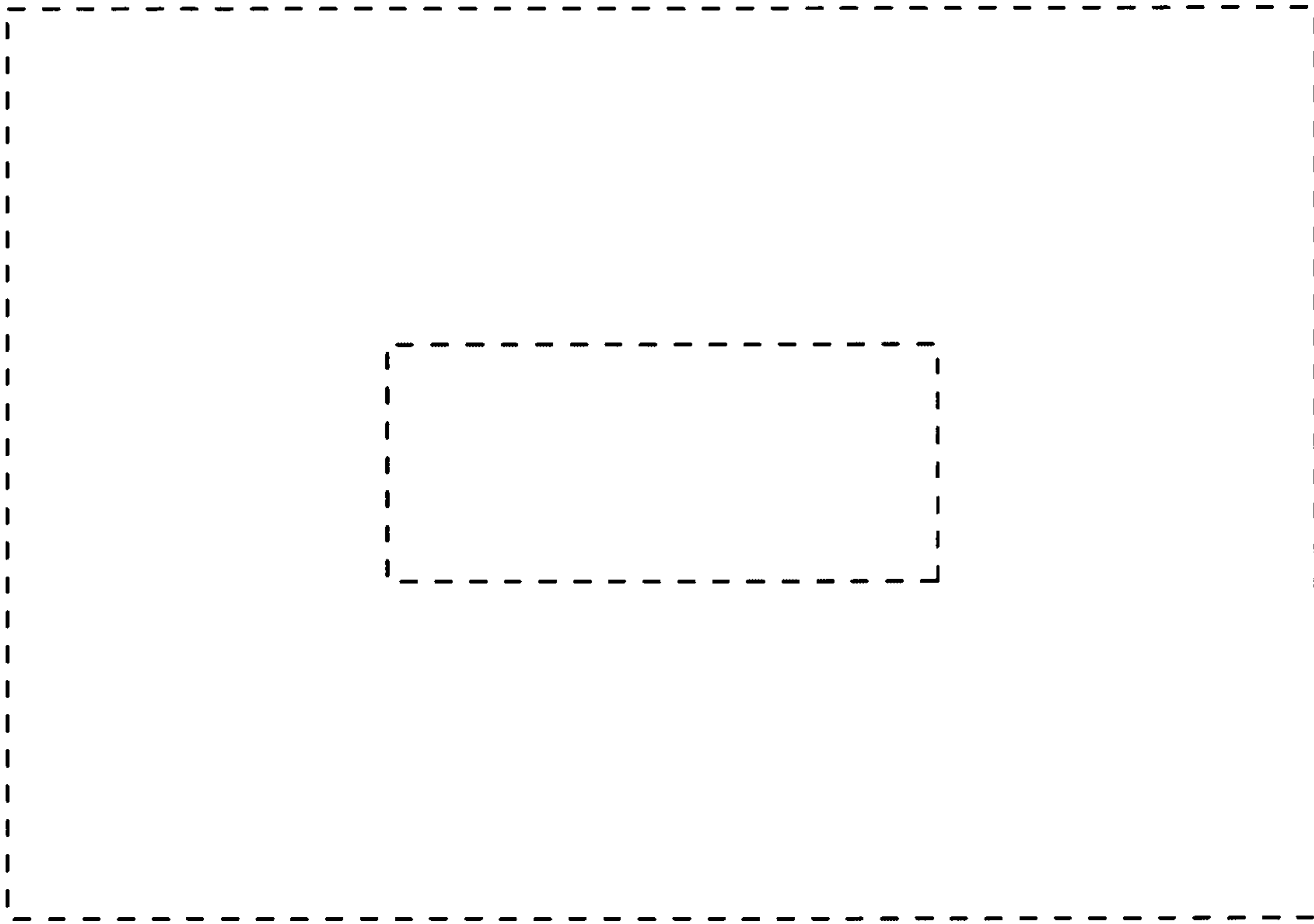


FIG. 3

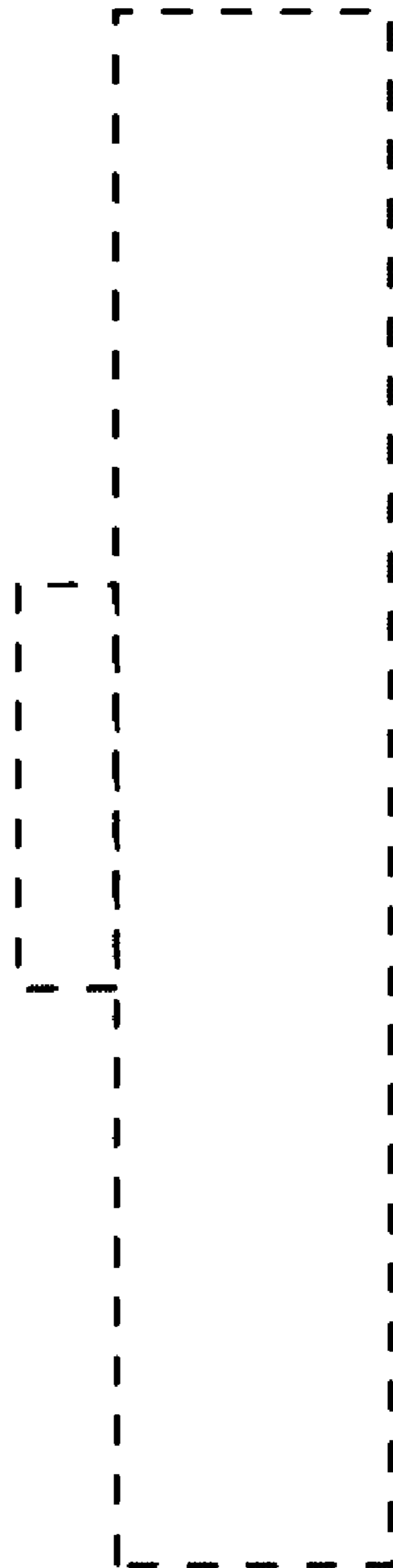


FIG.4

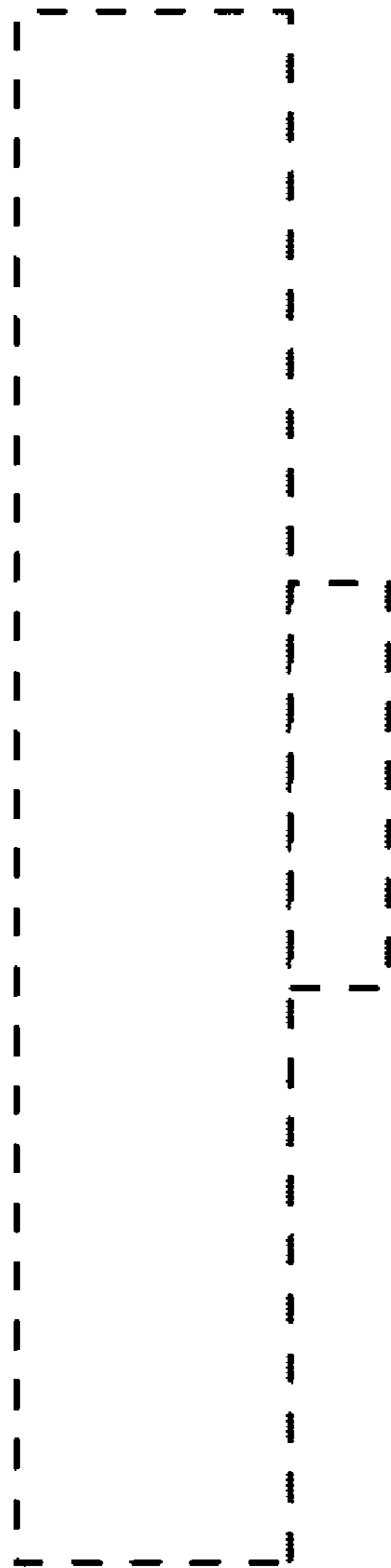


FIG.5

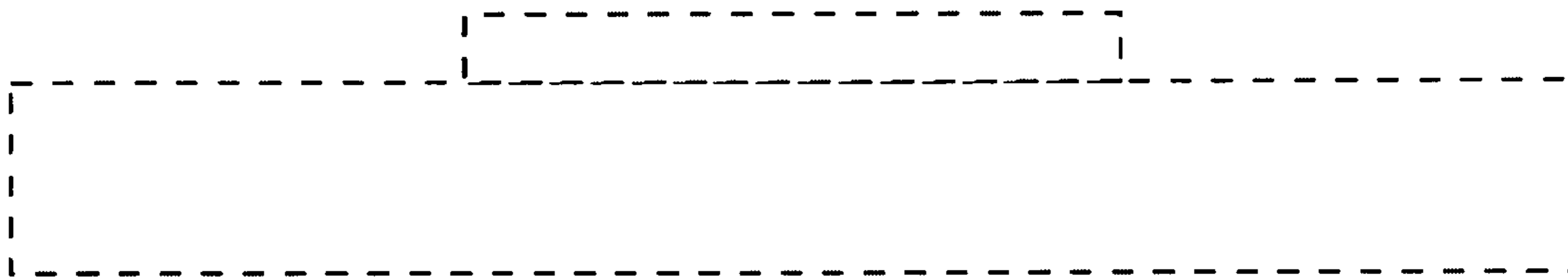


FIG.6



FIG.7

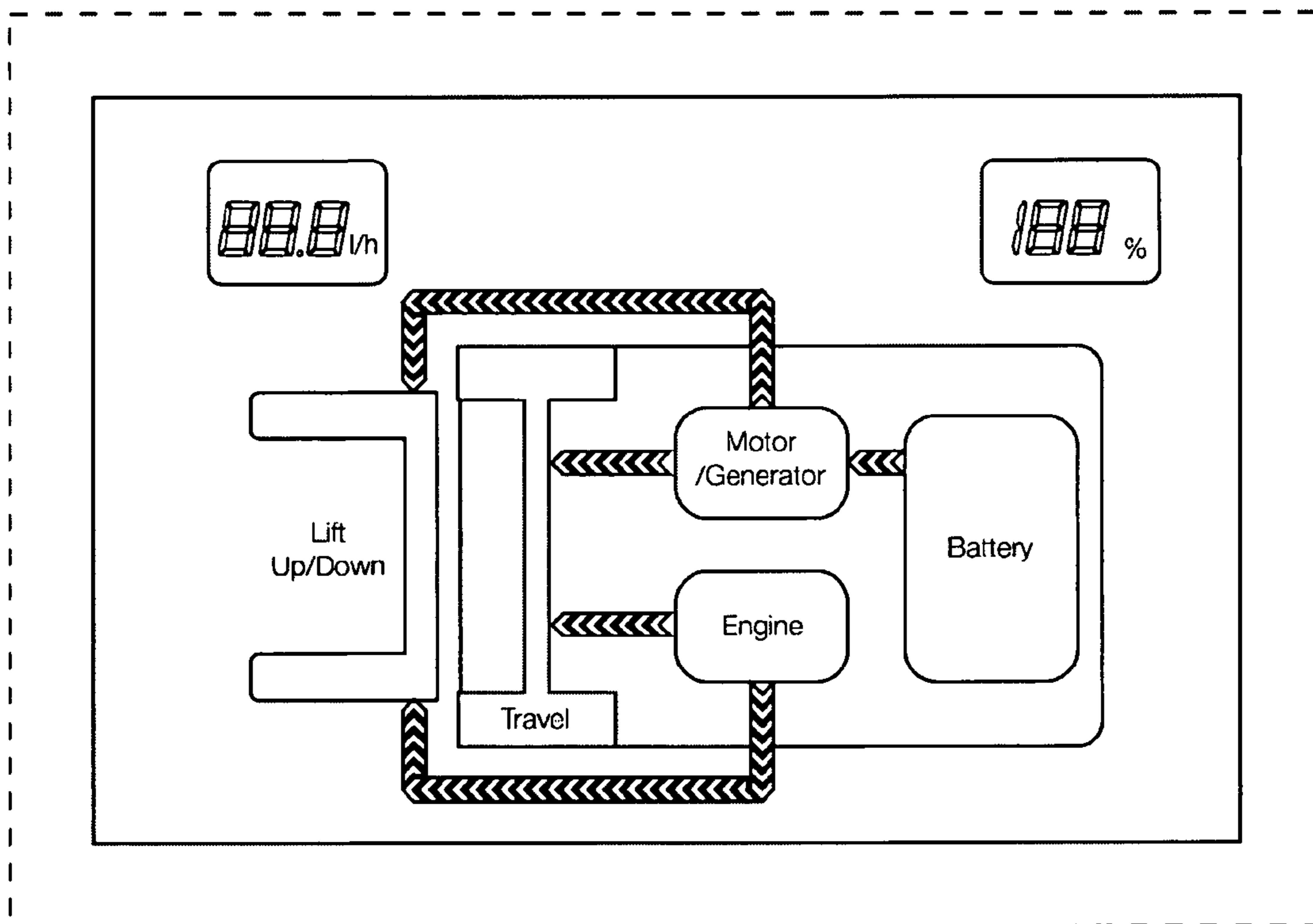


FIG.8

