



US00D589965S

(12) **United States Design Patent**
Ashida et al.

(10) **Patent No.:** **US D589,965 S**
(45) **Date of Patent:** **** Apr. 7, 2009**

(54) **BASE STAND FOR SENSOR BAR**

(75) Inventors: **Kenichiro Ashida**, Kyoto (JP); **Junji Takamoto**, Kyoto (JP); **Yoshitomo Goto**, Kyoto (JP); **Masato Ibuki**, Kyoto (JP); **Shinji Yamamoto**, Kyoto (JP); **Fumiyoshi Suetake**, Kyoto (JP); **Akiko Suga**, Kyoto (JP)

(73) Assignee: **Nintendo Company Limited**, Kyoto (JP)

(**) Term: **14 Years**

(21) Appl. No.: **29/268,255**

(22) Filed: **Nov. 2, 2006**

(30) **Foreign Application Priority Data**

May 2, 2006 (JP) 2006-011523

(51) **LOC (9) Cl.** **14-02**

(52) **U.S. Cl.** **D14/454; D21/333**

(58) **Field of Classification Search** D14/448, D14/450, 451, 452, 439, 447, 432, 371, 373, D14/374, 375, 127, 217, 239, 251, 900, 901, D14/902, 454; D8/363, 380, 373; 248/133, 248/139, 398, 371, 176.1, 274.1, 284.1, 313, 248/346.03, 917, 918, 919, 920, 921, 922, 248/923, 924, 201, 205.1, 220.21, 223.31, 248/276.1, 281.11, 286.1, 309.1, 323, 324, 248/349.1, 425; 348/825; 361/681; D21/329, D21/332, 333, 324; 273/148 B; 463/39

See application file for complete search history.

(56) **References Cited**

U.S. PATENT DOCUMENTS

D344,076 S * 2/1994 Zahabi D14/447

D494,182 S * 8/2004 Singer et al. D14/451
D494,595 S * 8/2004 Lin et al. D14/451
D508,459 S * 8/2005 Yoshida D13/108
D551,213 S * 9/2007 Andre et al. D14/217
D562,330 S * 2/2008 Light et al. D14/451
D567,800 S * 4/2008 Andre et al. D14/217
2008/0039202 A1* 2/2008 Sawano et al. 463/39
2008/0064500 A1* 3/2008 Satsukawa et al. 463/37
2008/0100567 A1* 5/2008 Tsai 345/156

* cited by examiner

Primary Examiner—Jennifer Rivard

Assistant Examiner—Angela J Lee

(74) *Attorney, Agent, or Firm*—Nixon & Vanderhye, P.C.

(57) **CLAIM**

The ornamental design for a base stand for sensor bar, as shown and described.

DESCRIPTION

FIG. 1 is a front, top and right perspective view of a base stand for sensor bar showing our new design;

FIG. 2 is a rear, bottom and left perspective view thereof;

FIG. 3 is a right side view thereof, a left side view being a mirror image thereof;

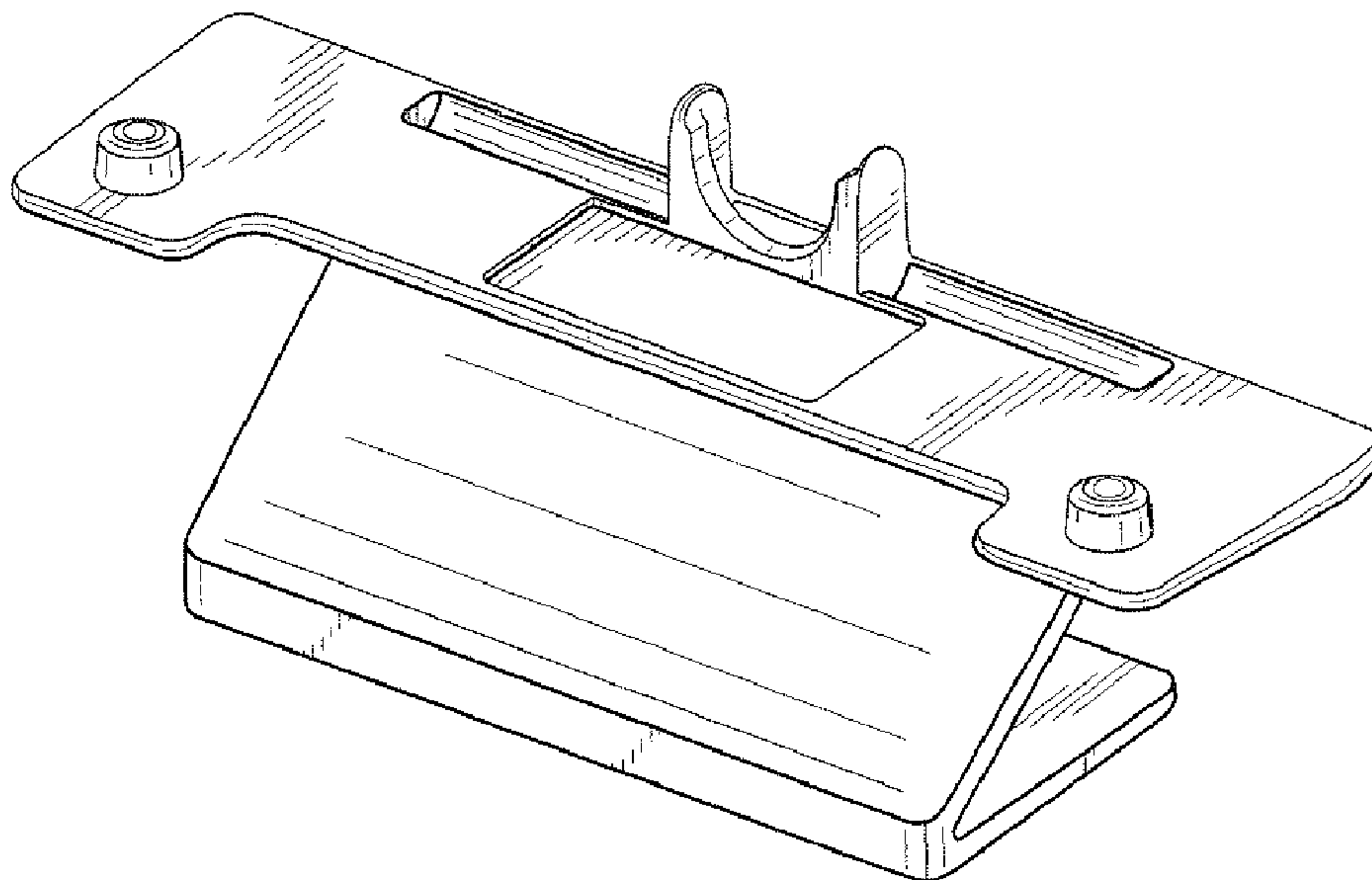
FIG. 4 is a front view thereof;

FIG. 5 is a rear view thereof;

FIG. 6 is a top plan view thereof; and,

FIG. 7 is a bottom plan view thereof.

1 Claim, 2 Drawing Sheets



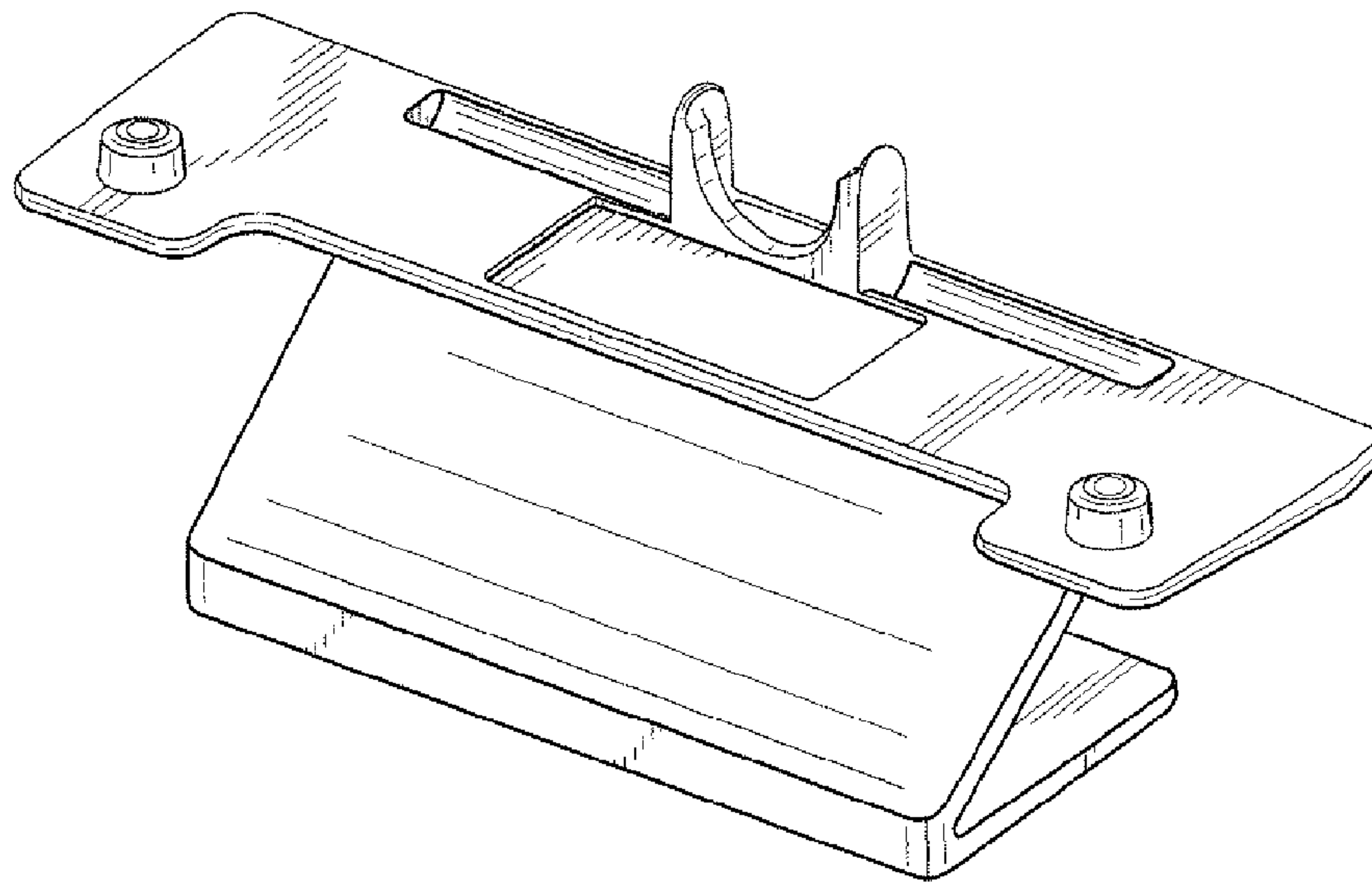


FIG. 1

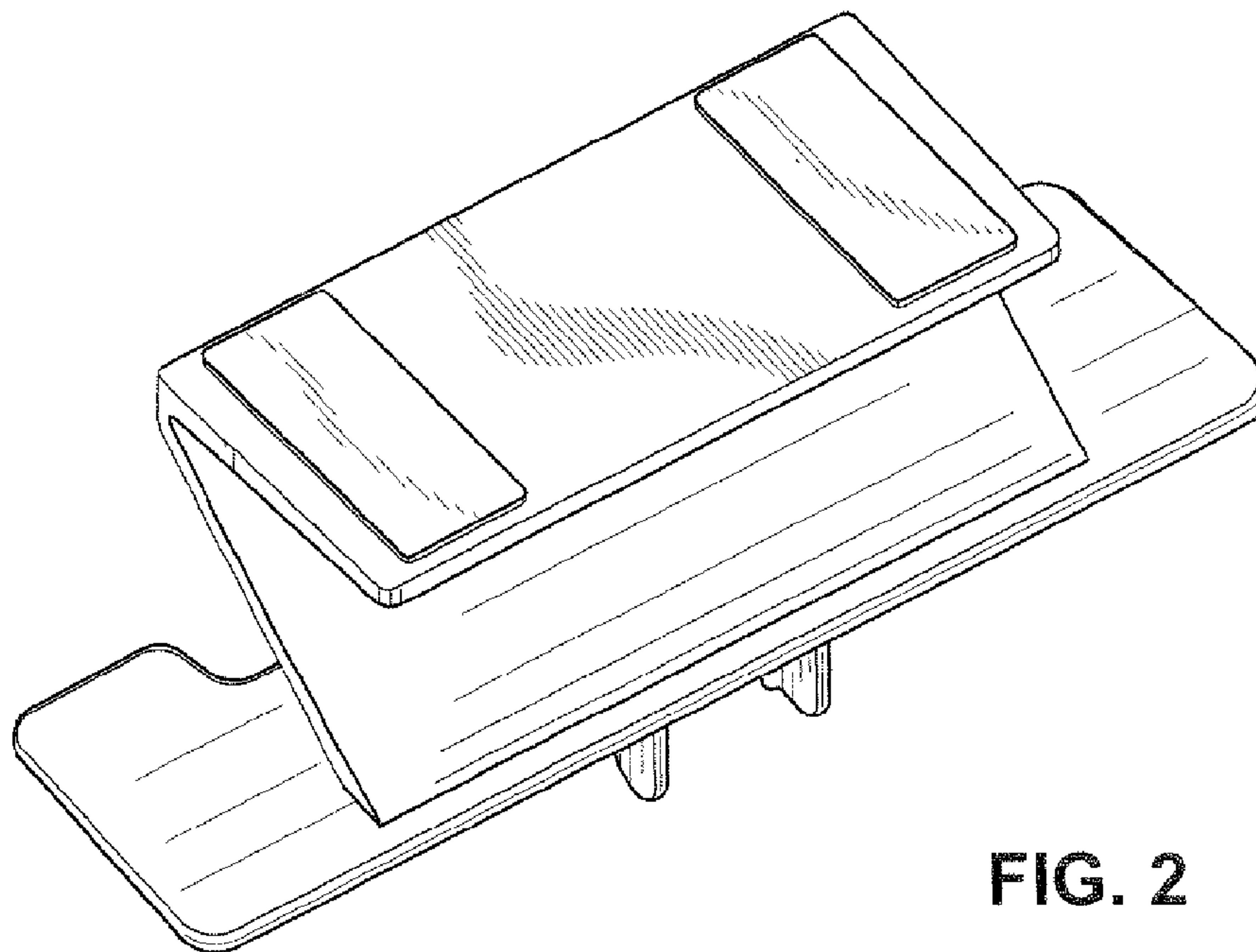


FIG. 2

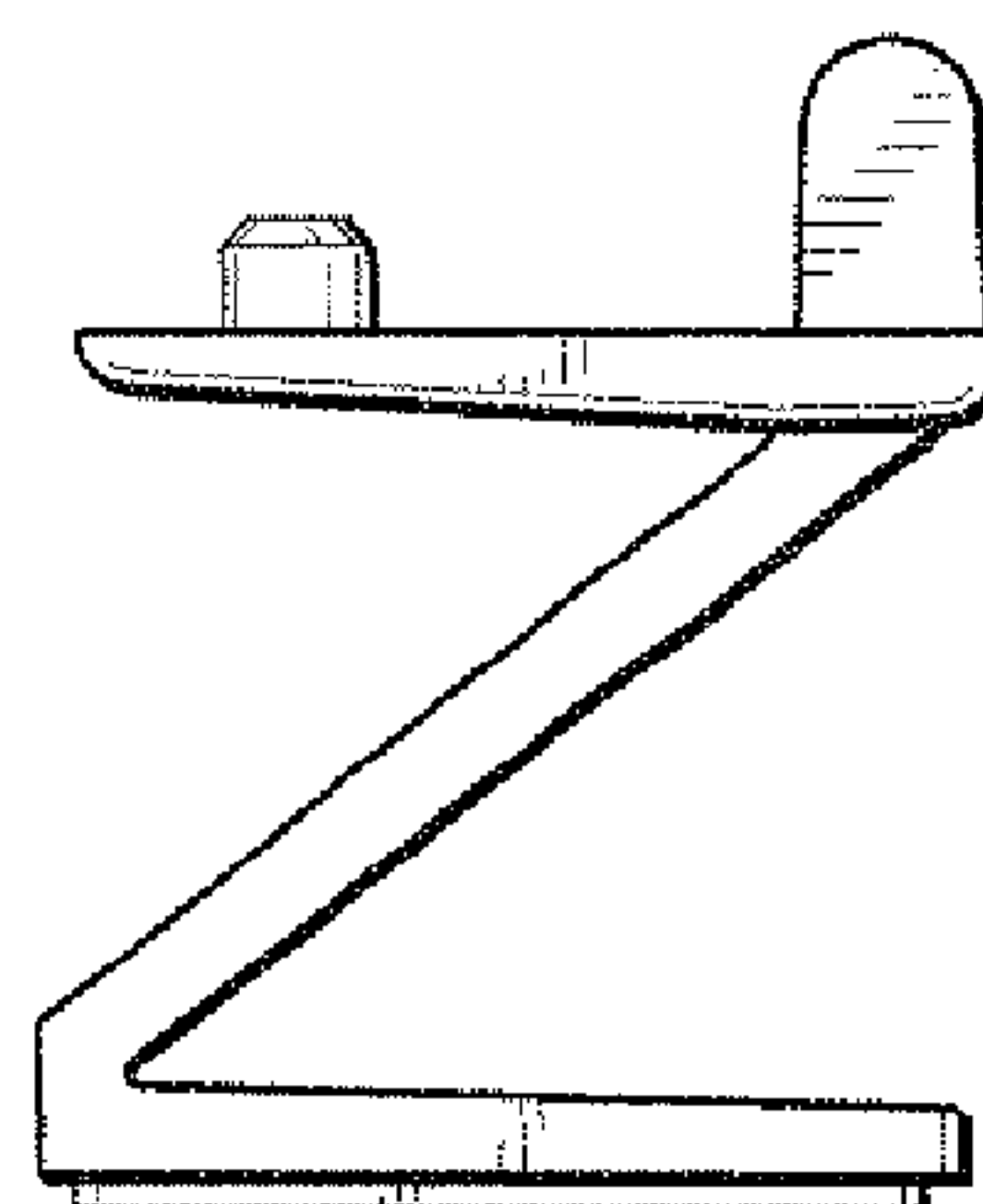


FIG. 3

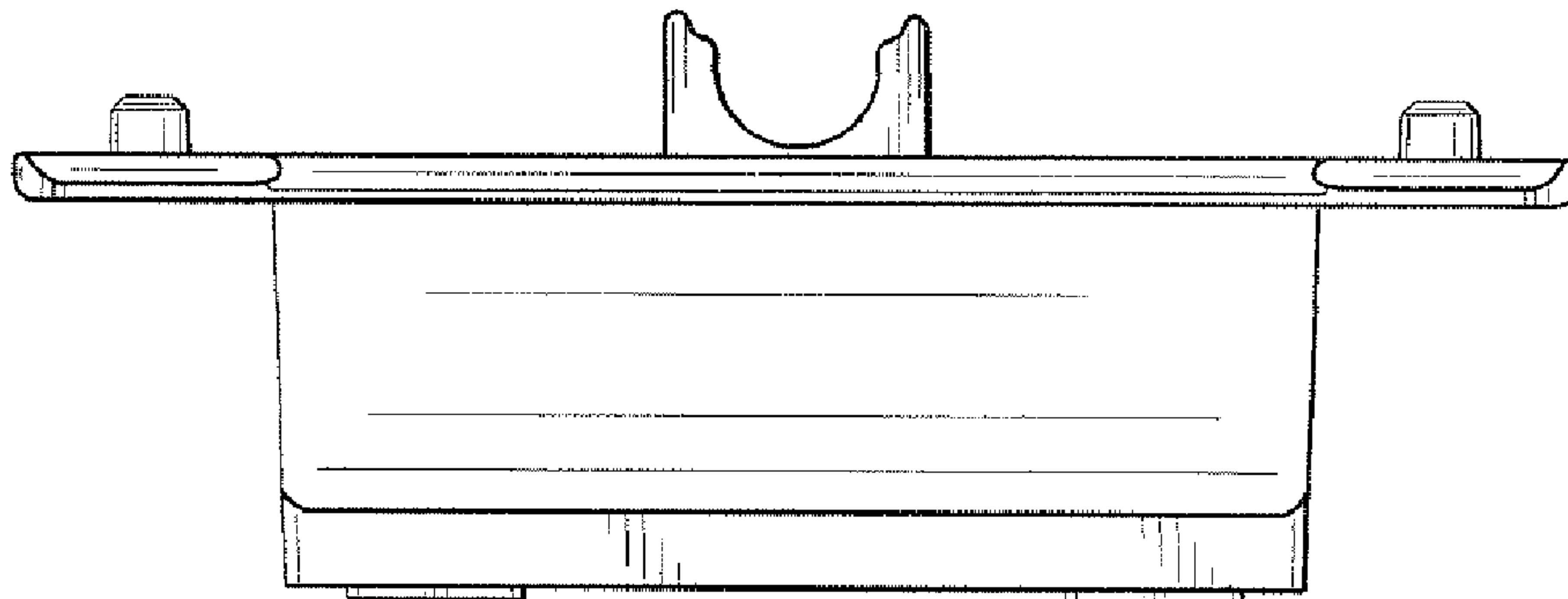


FIG. 4

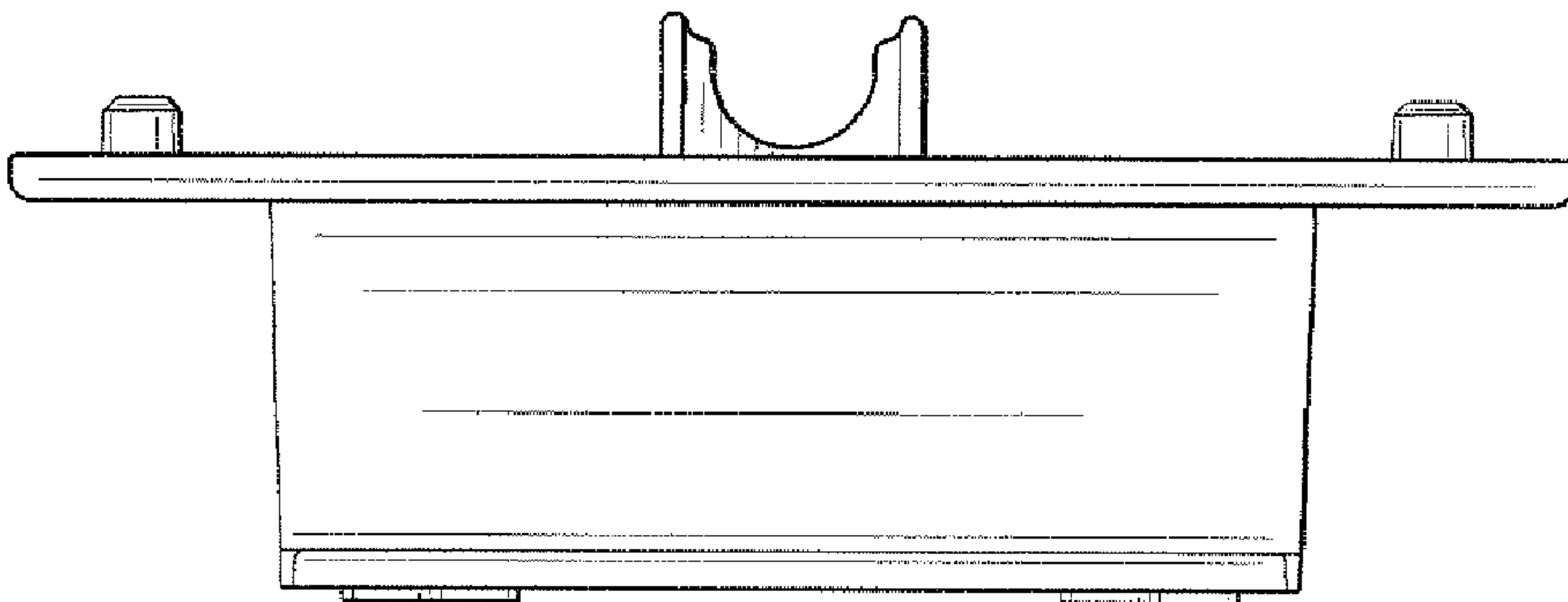


FIG. 5

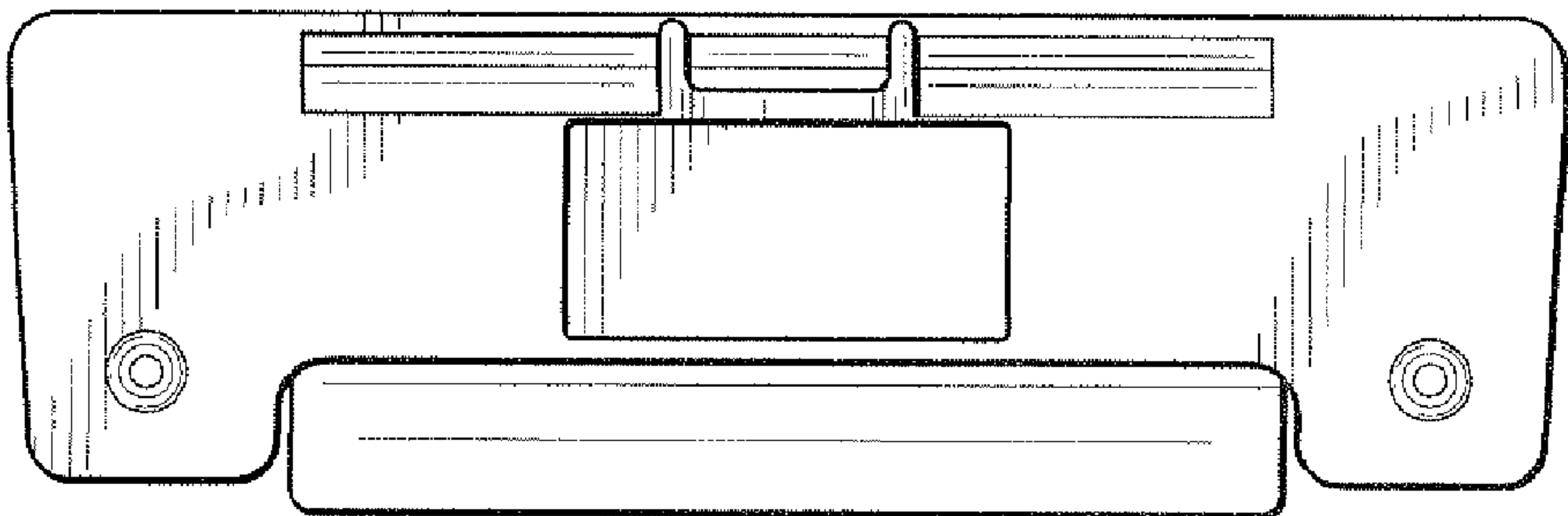


FIG. 6

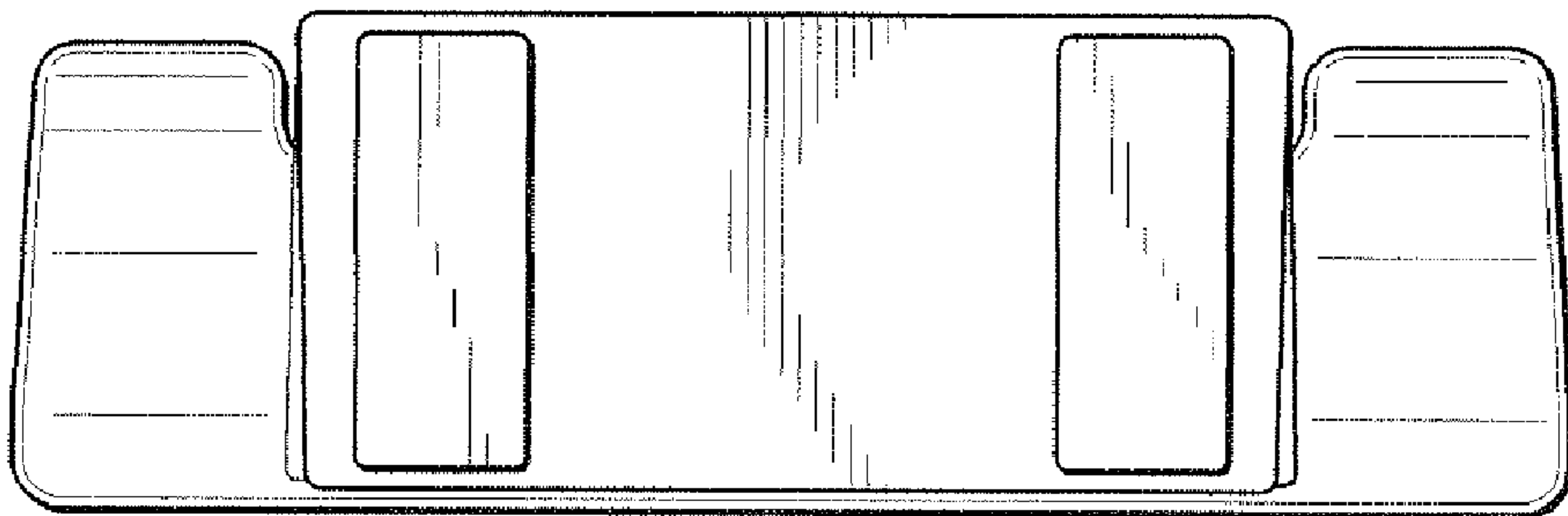


FIG. 7