



US00D589964S

(12) **United States Design Patent**
Heggland et al.

(10) **Patent No.:** **US D589,964 S**
(45) **Date of Patent:** **** Apr. 7, 2009**

(54) **PORTABLE INFORMATION HANDLING
SYSTEM DOCKING STATION AND STAND**

(75) Inventors: **Kurt Heggland**, Austin, TX (US);
Theodore Blair Pasquale, Austin, TX
(US)

(73) Assignee: **Dell Products L.P.**, Round Rock, TX
(US)

(**) Term: **14 Years**

(21) Appl. No.: **29/305,721**

(22) Filed: **Mar. 27, 2008**

(51) **LOC (9) Cl.** **14-02**

(52) **U.S. Cl.** **D14/434; D14/447**

(58) **Field of Classification Search** D14/447,
D14/434, 375, 376, 432, 439, 451, 356, 316,
D14/315; 361/686, 681, 725-727, 683, 818,
361/687, 690; 439/638, 372, 352, 639, 248,
439/654, 341; 248/65, 441.1, 455, 460, 923,
248/371, 447, 393, 398, 122.1, 127, 133,
248/136, 917, 175, 918, 924, 165, 424, 124.1,
248/346.01, 346.03, 181.1, 178.1, 176.1,
248/451, 453; 364/708.1; 710/303, 304;
312/223.2; 345/169; 320/107, 110, 113;
16/334; 403/93, 96; 428/317.1, 318.4, 319.1,
428/902, 922, 442.2, 918, 279.1, 284.1, 454,
428/457; D6/300, 512, 310, 12, 419, 396,
D6/406.5; 108/10, 28, 32, 6, 44, 166; D19/86,
D19/90, 91; 210/303; 400/489; 297/174 R,
297/188.2

See application file for complete search history.

(56) **References Cited**

U.S. PATENT DOCUMENTS

D295,415 S * 4/1988 Thies et al. D14/452
4,852,498 A * 8/1989 Judd 108/43
D317,910 S * 7/1991 Hawkins et al. D14/447
5,088,676 A * 2/1992 Orchard et al. 248/421
5,100,098 A * 3/1992 Hawkins 248/291.1

D349,489 S * 8/1994 Wang D14/375
5,443,237 A * 8/1995 Stadtmauer 248/441.1
5,769,369 A * 6/1998 Meinel 248/176.1
5,799,917 A * 9/1998 Li 248/284.1
D415,742 S * 10/1999 Kolls D14/434
6,015,120 A * 1/2000 Sweere et al. 248/123.11
6,081,420 A * 6/2000 Kim et al. 361/681
6,134,103 A * 10/2000 Ghanma 361/681
6,185,096 B1 * 2/2001 Helot et al. 361/686
6,233,138 B1 * 5/2001 Osgood 361/681
6,381,128 B1 * 4/2002 Kramer 361/683

(Continued)

OTHER PUBLICATIONS

“Neo-Flex Lift Stand.” Ergotron, Inc. <<http://www.ergotron.com/tabid/71/ctl/Product/mis/396/PRDID/174/default.aspx>>.

Primary Examiner—Susan Moon Lee

(74) *Attorney, Agent, or Firm*—Hamilton & Terrile, LLP;
Robert W. Holland

(57) **CLAIM**

We claim the ornamental design for a portable information handling system docking station and stand, as shown and described herein.

DESCRIPTION

FIG. 1 is a front perspective view of the portable information handling system docking station and stand comprising the present invention;

FIG. 2 is a front side view thereof;

FIG. 3 is a right side view thereof;

FIG. 4 is a left side view thereof;

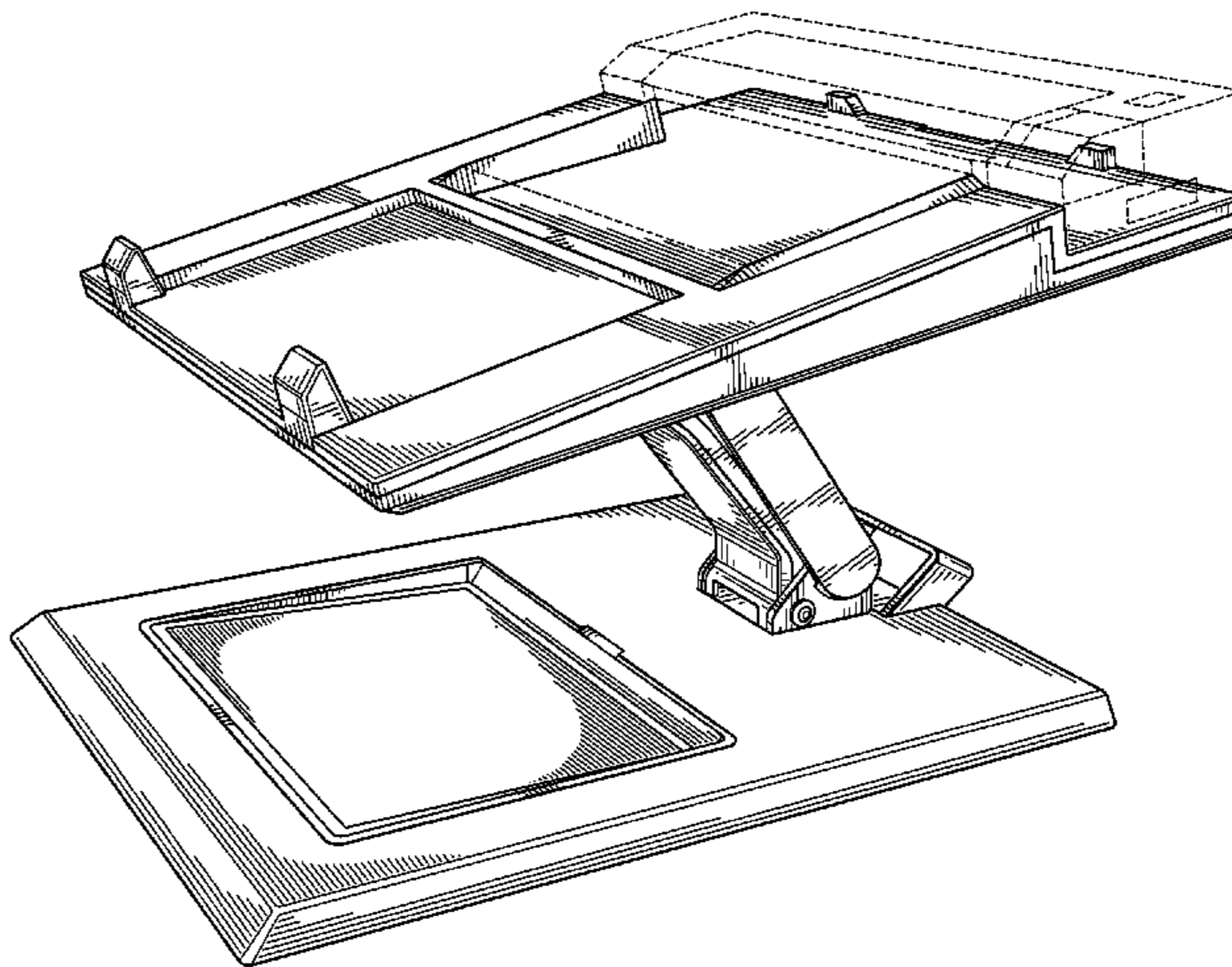
FIG. 5 is a rear view thereof;

FIG. 6 is a top view thereof; and,

FIG. 7 is a bottom view thereof.

Broken lines are shown for illustrative purposes only and form no part of the claimed design

1 Claim, 7 Drawing Sheets



US D589,964 S

Page 2

U.S. PATENT DOCUMENTS

6,556,435	B1 *	4/2003	Helot et al.	361/686	7,099,150	B2 *	8/2006	Lee	361/683
D480,730	S *	10/2003	Doherty et al.	D14/447	7,195,214	B2 *	3/2007	Lee et al.	248/125.8
D494,182	S *	8/2004	Singer et al.	D14/451	2003/0001064	A1 *	1/2003	Book	248/460
6,816,365	B2 *	11/2004	Hill et al.	361/681	2003/0142474	A1 *	7/2003	Karidis et al.	361/683
6,912,121	B2 *	6/2005	Karidis et al.	361/681	2004/0057197	A1 *	3/2004	Hill et al.	361/683
D508,916	S *	8/2005	Lee	D14/447	2004/0233631	A1 *	11/2004	Lord	361/686
D512,066	S *	11/2005	Solomon et al.	D14/434	2005/0207112	A1 *	9/2005	Bakker et al.	361/686
7,016,181	B2 *	3/2006	Ito et al.	361/683	2005/0274852	A1 *	12/2005	Saez et al.	248/121
7,035,100	B2 *	4/2006	Lord	361/686	2006/0192070	A1 *	8/2006	Chan	248/371
7,059,576	B2 *	6/2006	Chen et al.	248/371					

* cited by examiner

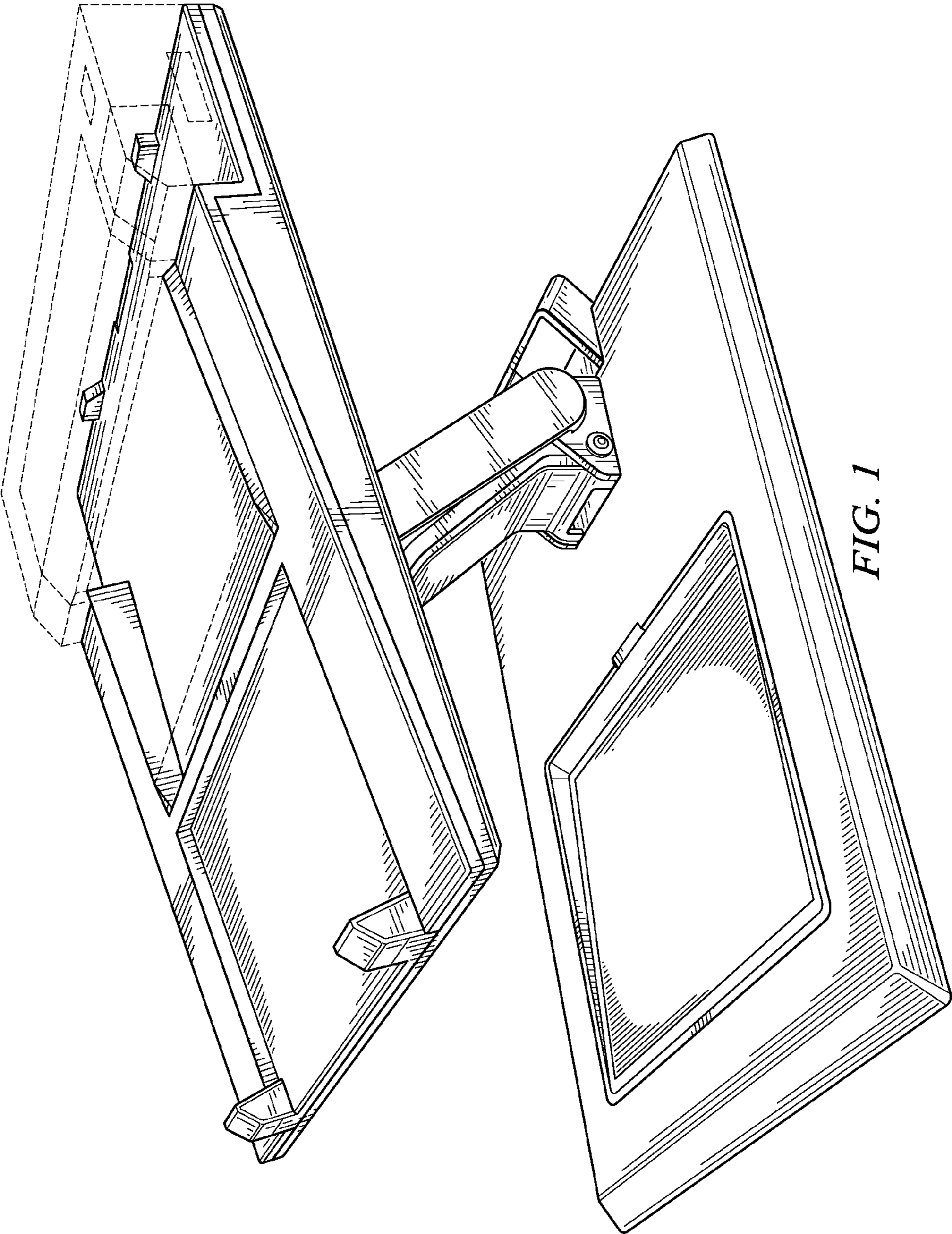


FIG. 1

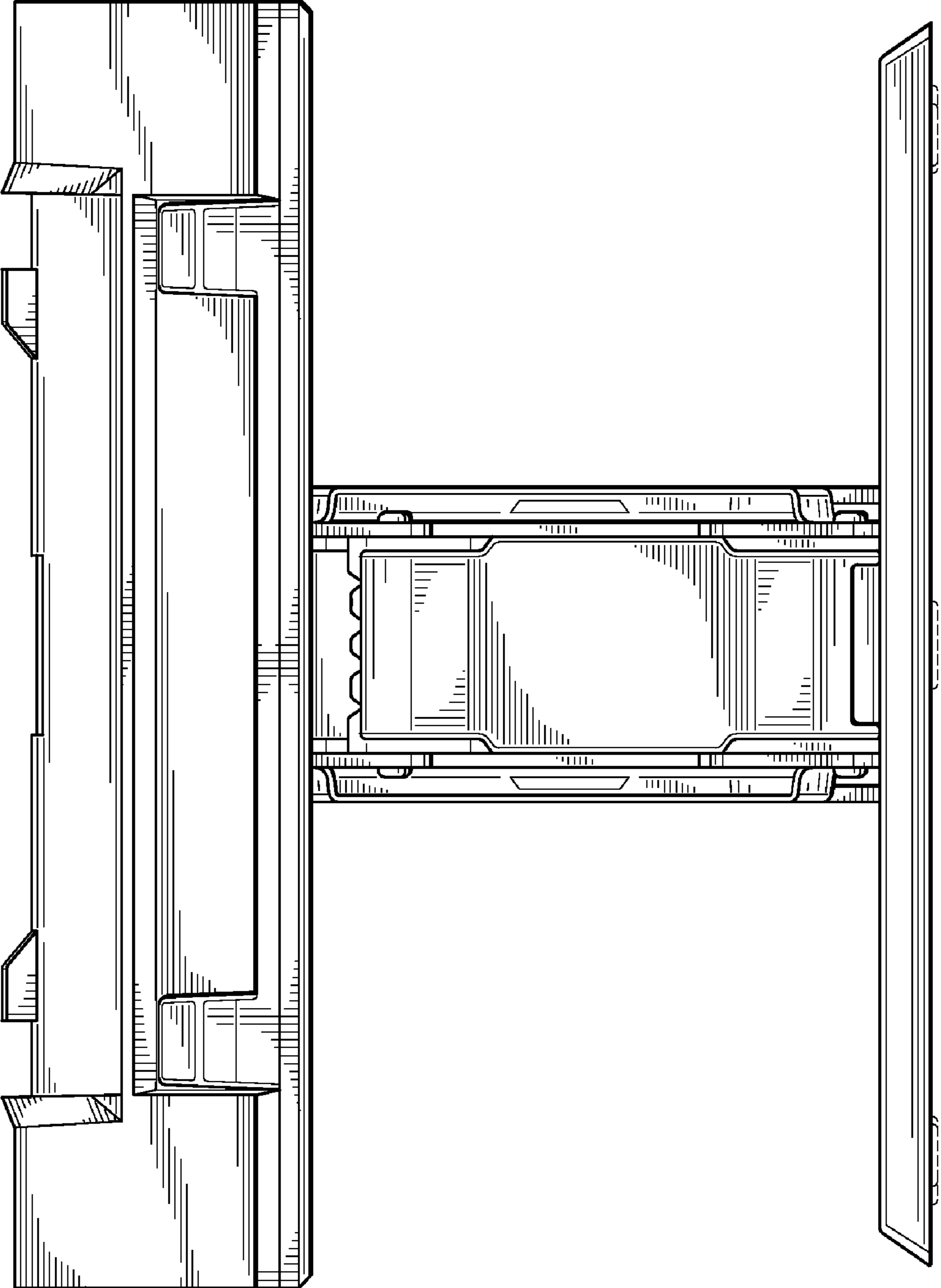


FIG. 2

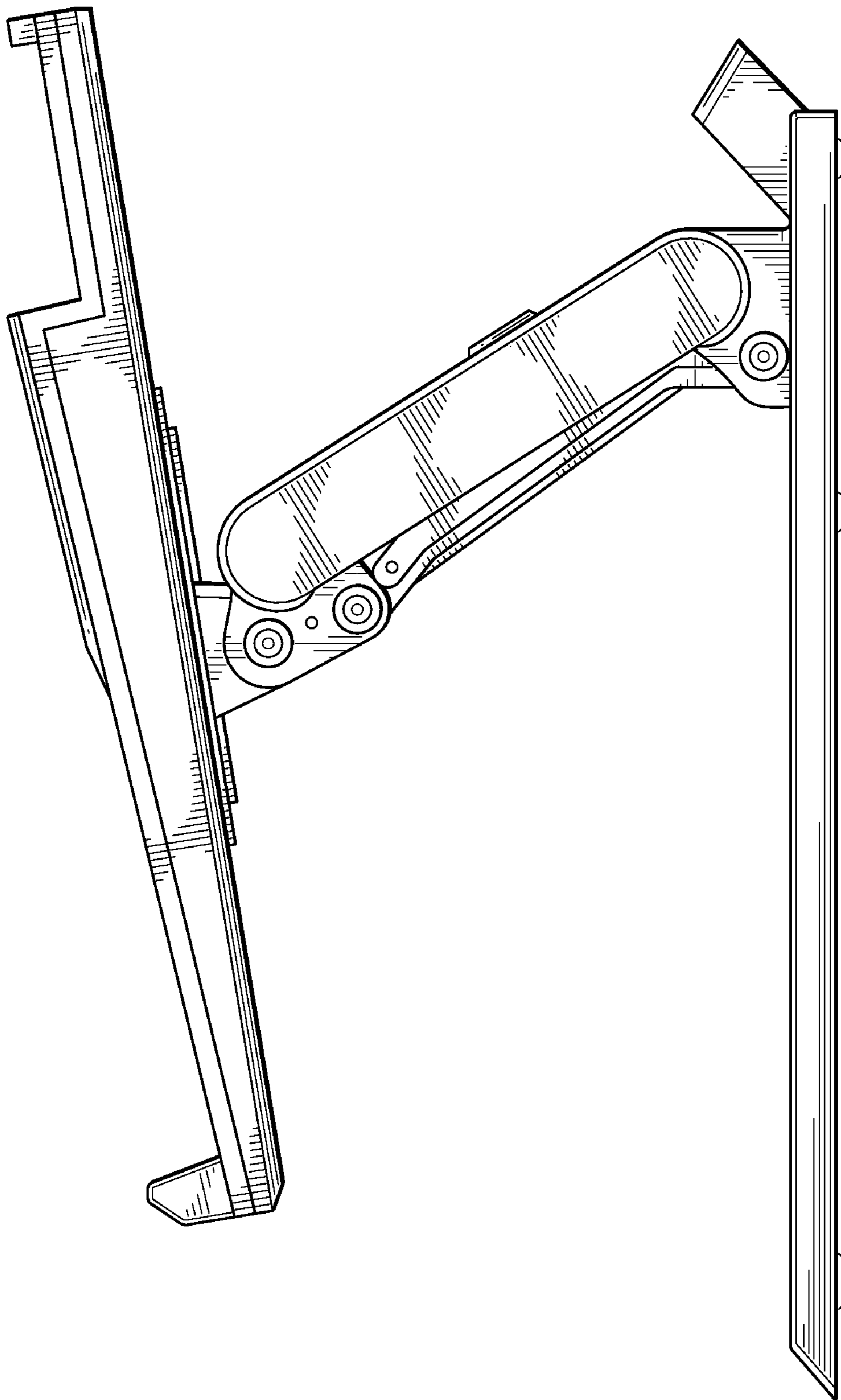


FIG. 3

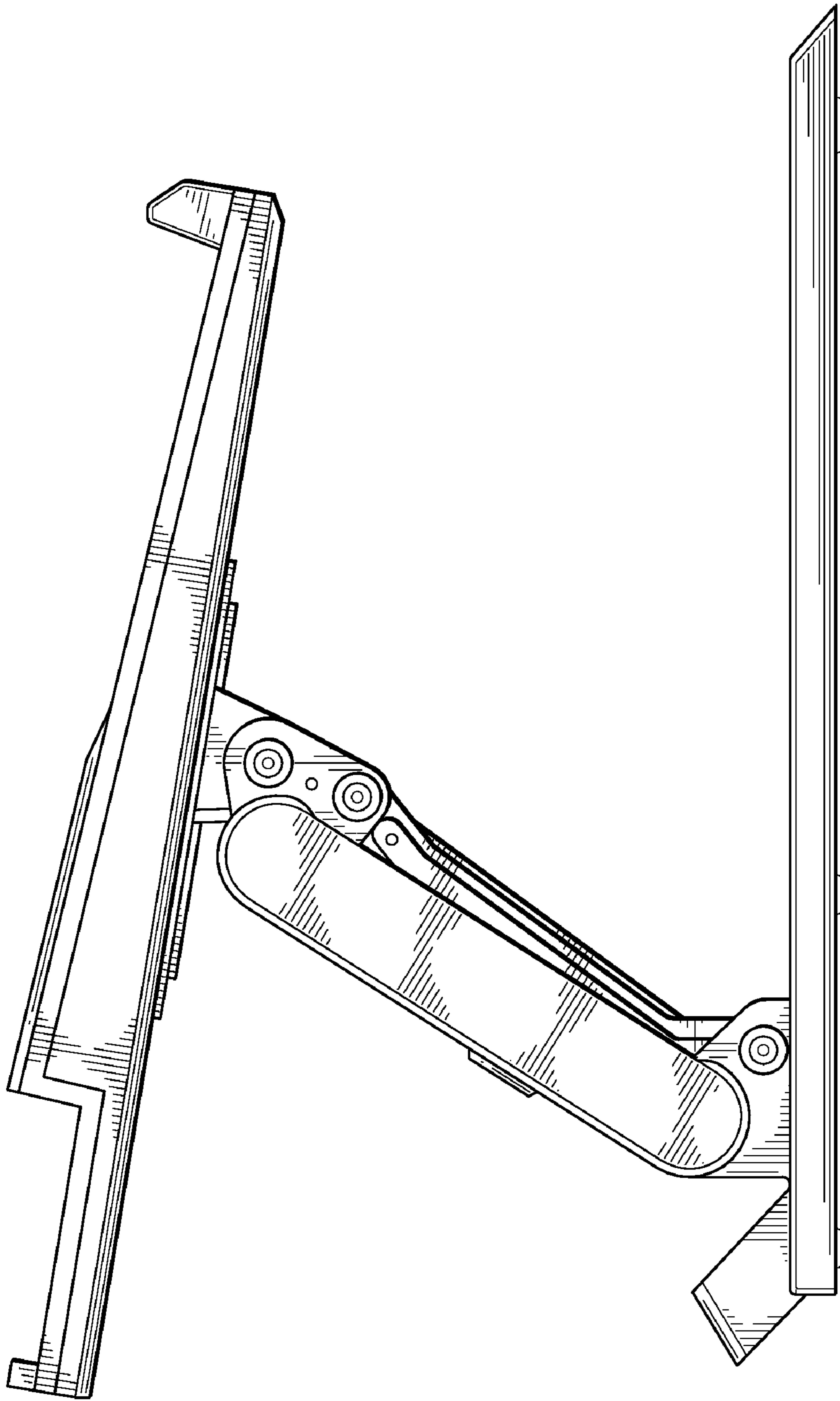


FIG. 4

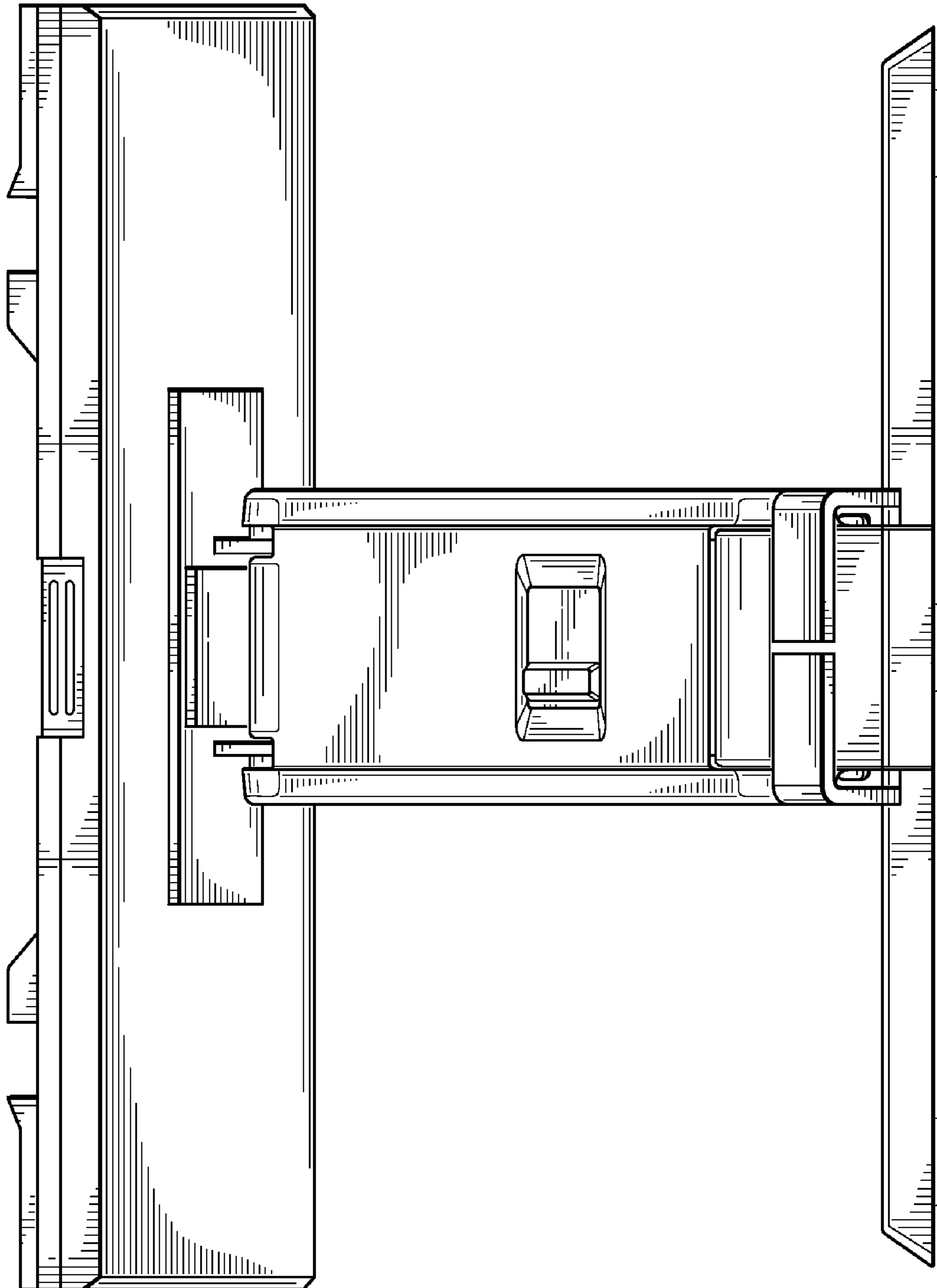


FIG. 5

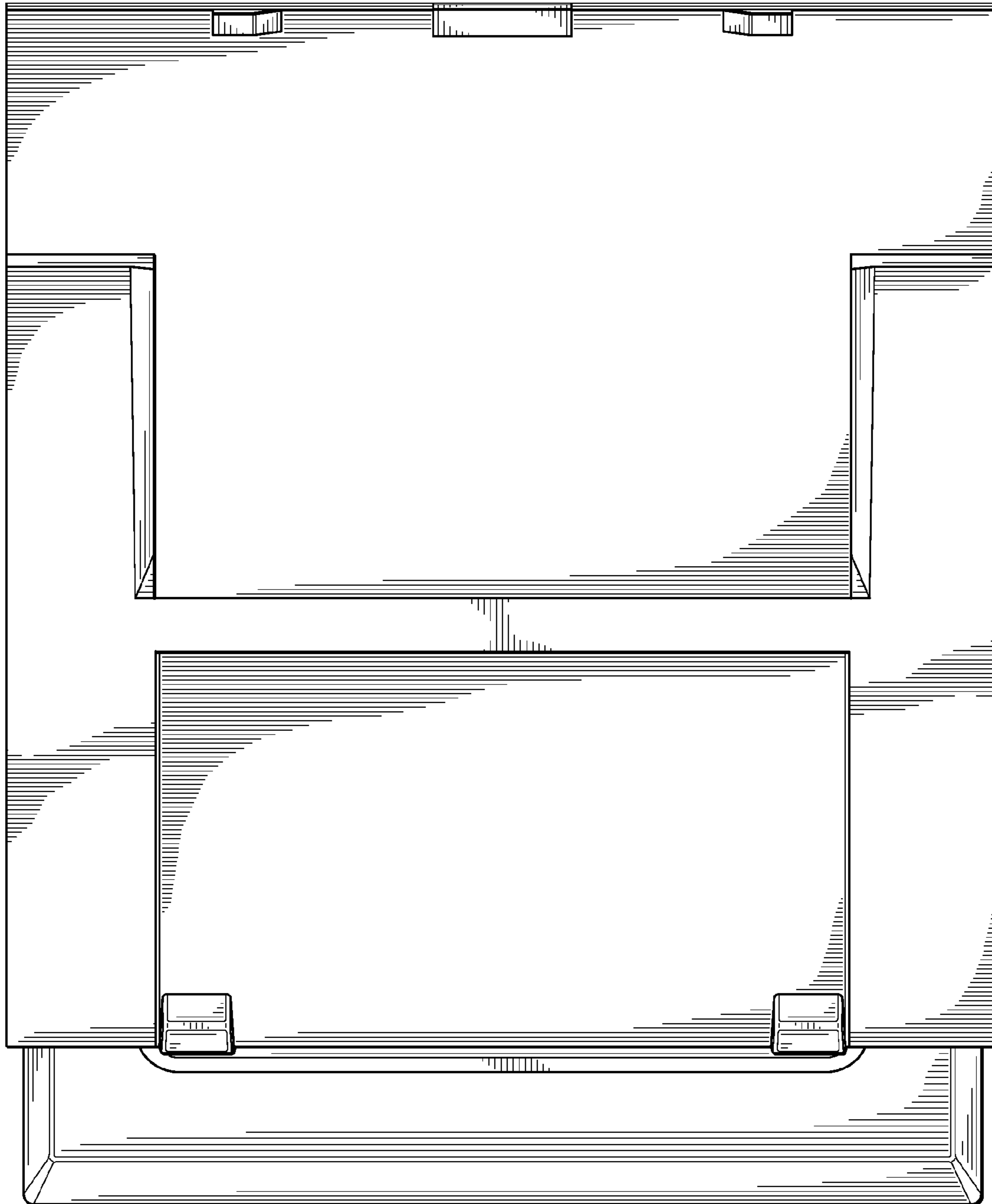


FIG. 6

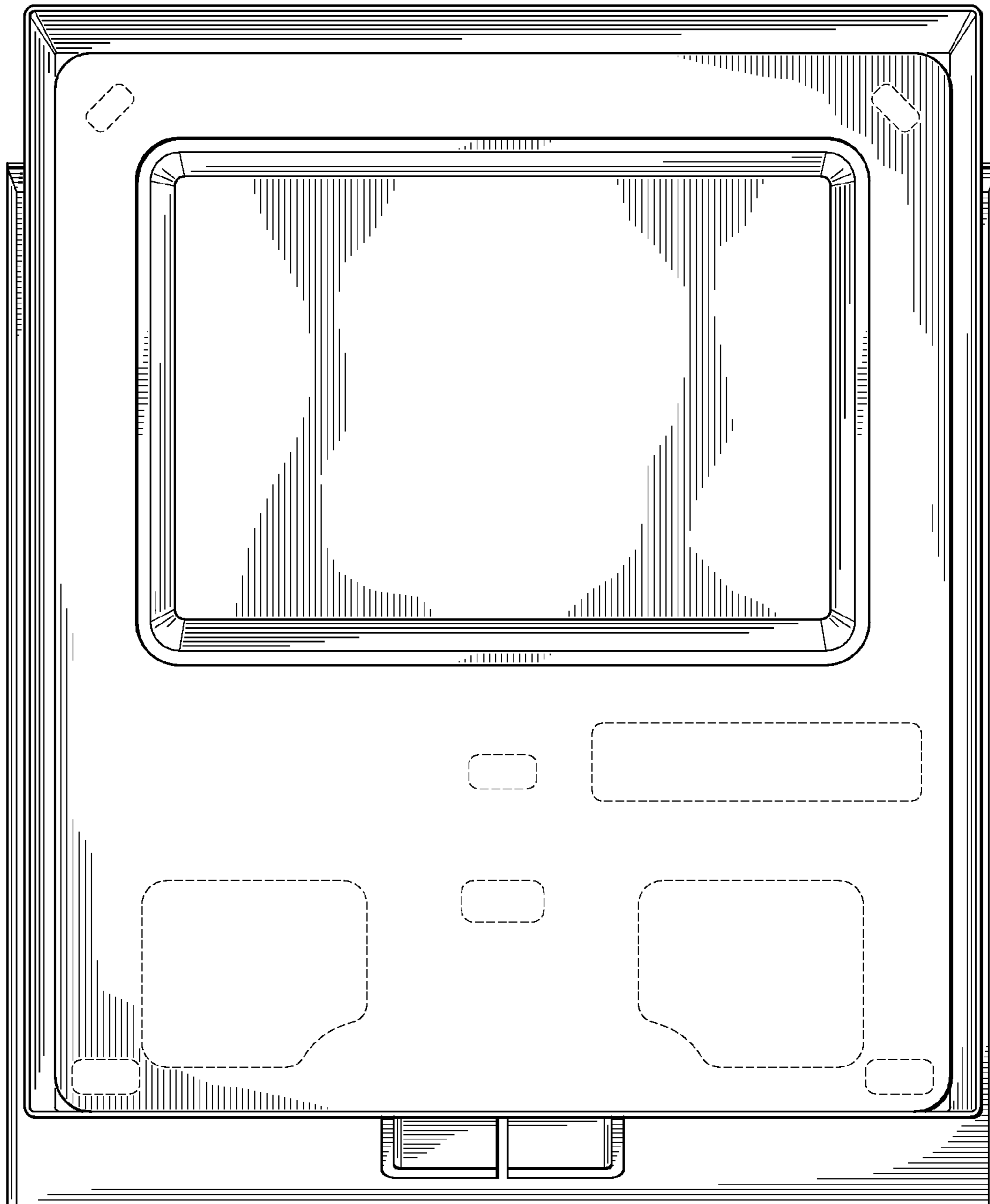


FIG. 7