



US00D589962S

(12) **United States Design Patent**
Maruyama et al.

(10) **Patent No.:** **US D589,962 S**
(45) **Date of Patent:** **** Apr. 7, 2009**

(54) **COMBINED SUPPORT STAND AND DATA ENTRY DEVICE**

(75) Inventors: **Kazuhiro Maruyama**, Kyoto (JP);
Noriko Akita, Kyoto (JP)

(73) Assignee: **Nintendo Co. Ltd.**, Kyoto (JP)

(**) Term: **14 Years**

(21) Appl. No.: **29/267,022**

(22) Filed: **Oct. 4, 2006**

(51) **LOC (9) Cl.** **14-02**

(52) **U.S. Cl.** **D14/432; D14/447**

(58) **Field of Classification Search** D14/432-434,
D14/439, 440, 447, 450, 453, 356, 383-389,
D14/217; D8/349, 350, 353, 354, 382, 400,
D8/499; D13/108, 173, 177, 179, 184, 199;
D6/300, 512, 553; D21/333, 385; 248/441.1,
248/200, 205.1, 300, 301, 309.1, 310, 311.2,
248/311.3, 312, 312.1, 346.01, 346.03; 361/725,
361/730, 685, 726, 727; 200/333, 334; 174/353,
174/354, 355, 359, 369, 370; 439/939, 610,
439/588

See application file for complete search history.

(56) **References Cited**

U.S. PATENT DOCUMENTS

- 4,073,460 A * 2/1978 Dale 248/441.1
- D275,971 S 10/1984 Yokoi
- D277,546 S * 2/1985 Trotta D8/349
- D280,746 S 9/1985 Yokoi
- D318,884 S 8/1991 Kojo
- D347,450 S 5/1994 Nagata et al.
- D357,400 S * 4/1995 Sachs D8/354
- D376,972 S * 12/1996 Zissu D8/354
- 5,890,693 A * 4/1999 Do et al. 248/346.03
- D416,291 S 11/1999 Sugino
- D453,536 S 2/2002 Ota et al.
- D455,755 S * 4/2002 Levine et al. D14/447
- D460,787 S 7/2002 Nishikawa

- D524,870 S 7/2006 Sugino et al.
- D546,610 S * 7/2007 Blanchard D6/567
- D557,259 S * 12/2007 Hirsch D14/217
- D558,192 S * 12/2007 Daly et al. D14/447

* cited by examiner

Primary Examiner—Cathron C Brooks

Assistant Examiner—Deanna Fluegeman

(74) *Attorney, Agent, or Firm*—Nixon & Vanderhye, P.C.

(57) **CLAIM**

The ornamental design for a combined support stand and data entry device, as shown and described.

DESCRIPTION

FIG. 1 is a front, top and right perspective view of a combined support stand and data entry device showing our new design; FIG. 2 is a rear, bottom and left perspective view thereof; FIG. 3 is a front view thereof; FIG. 4 is a rear view thereof; FIG. 5 is a left side view thereof, a right side view being a mirror image thereof; FIG. 6 is a top plan view thereof; FIG. 7 is a bottom plan view thereof; FIG. 8 is a perspective view showing the combined support and data entry device in an environment where it supports an electronic game machine; and, FIG. 9 is a right side view of the support stand as shown in FIG. 8.

The matter shown in dotted-line format in FIGS. 2 and 7-9 forms no part of the claimed invention.

The portions of the combined support stand and data entry device shown in broken lines in FIGS. 2 and 7 form no part of the claimed design. The electronic game machine shown in broken lines in FIGS. 8 and 9 is shown for the purpose of illustrating environmental structure and forms no part of the claimed design.

1 Claim, 5 Drawing Sheets

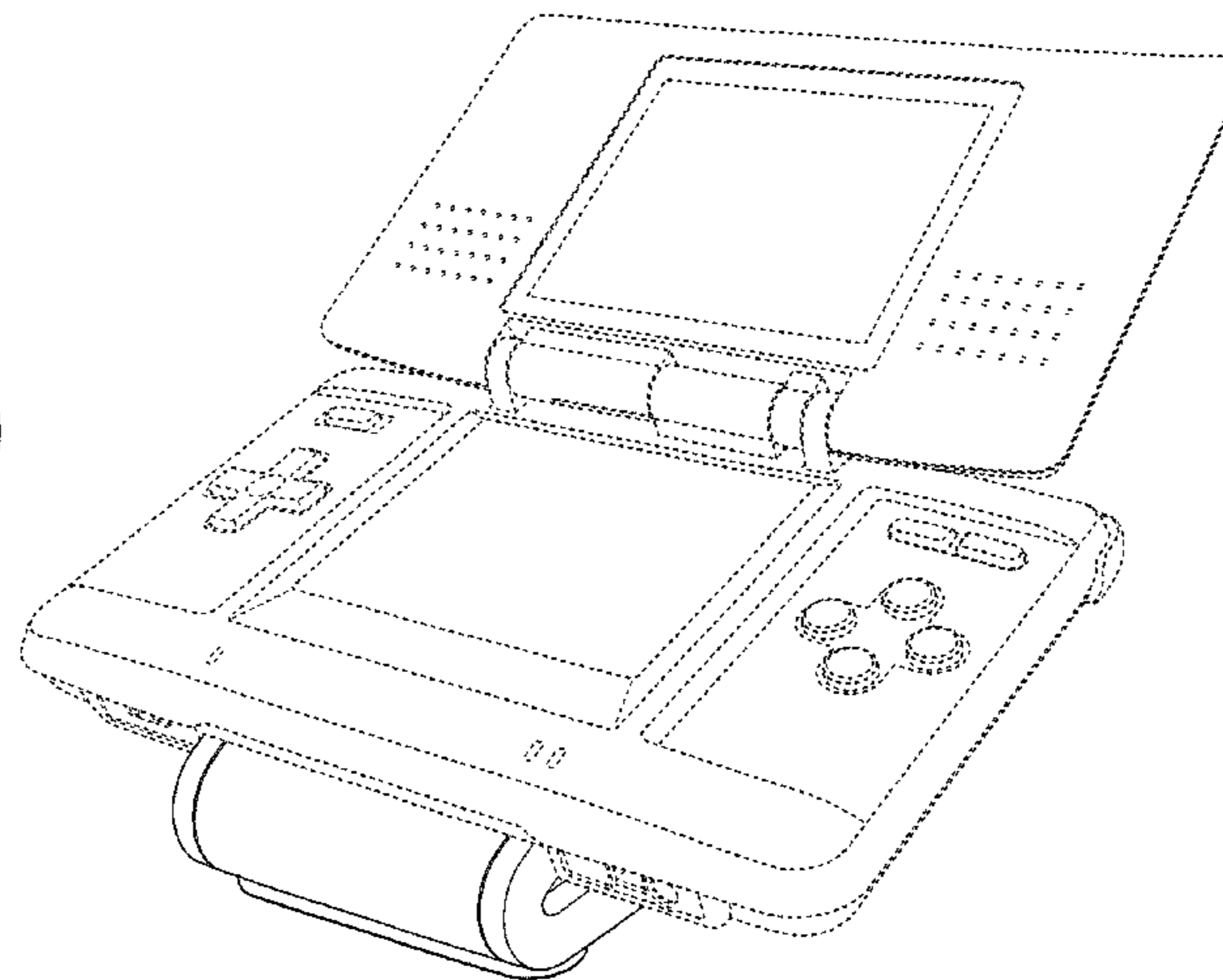
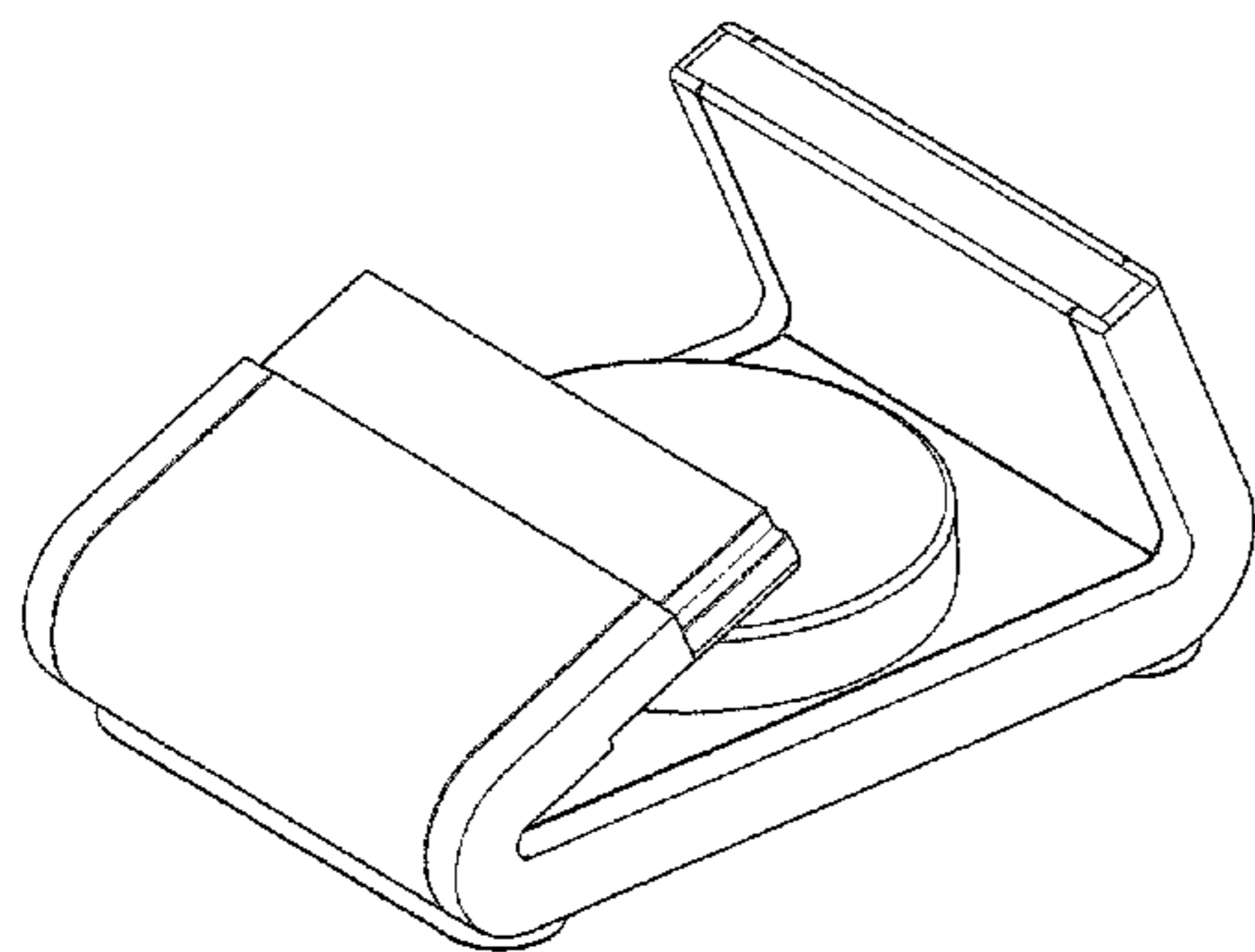


FIG. 1

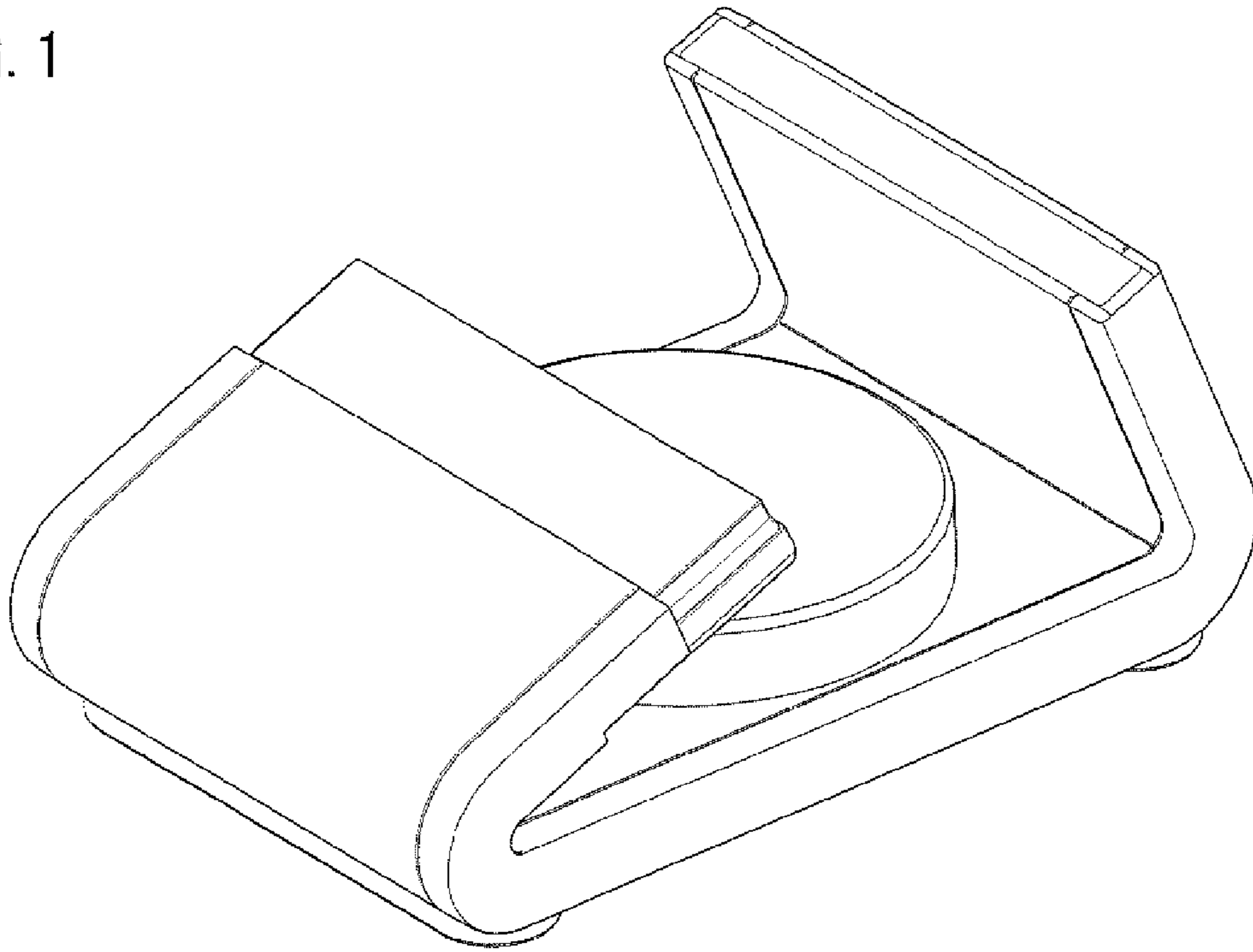


FIG. 2

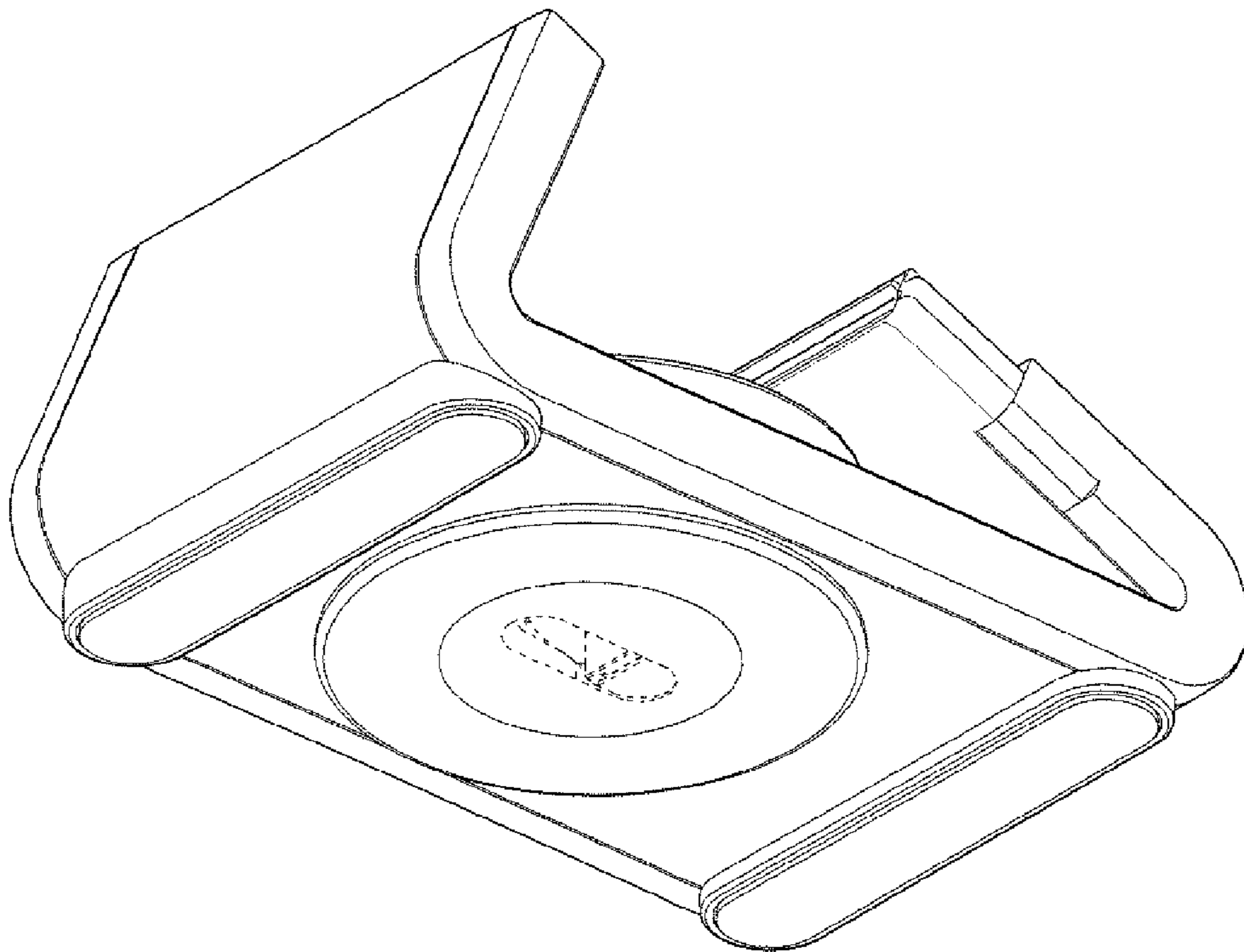


FIG. 3

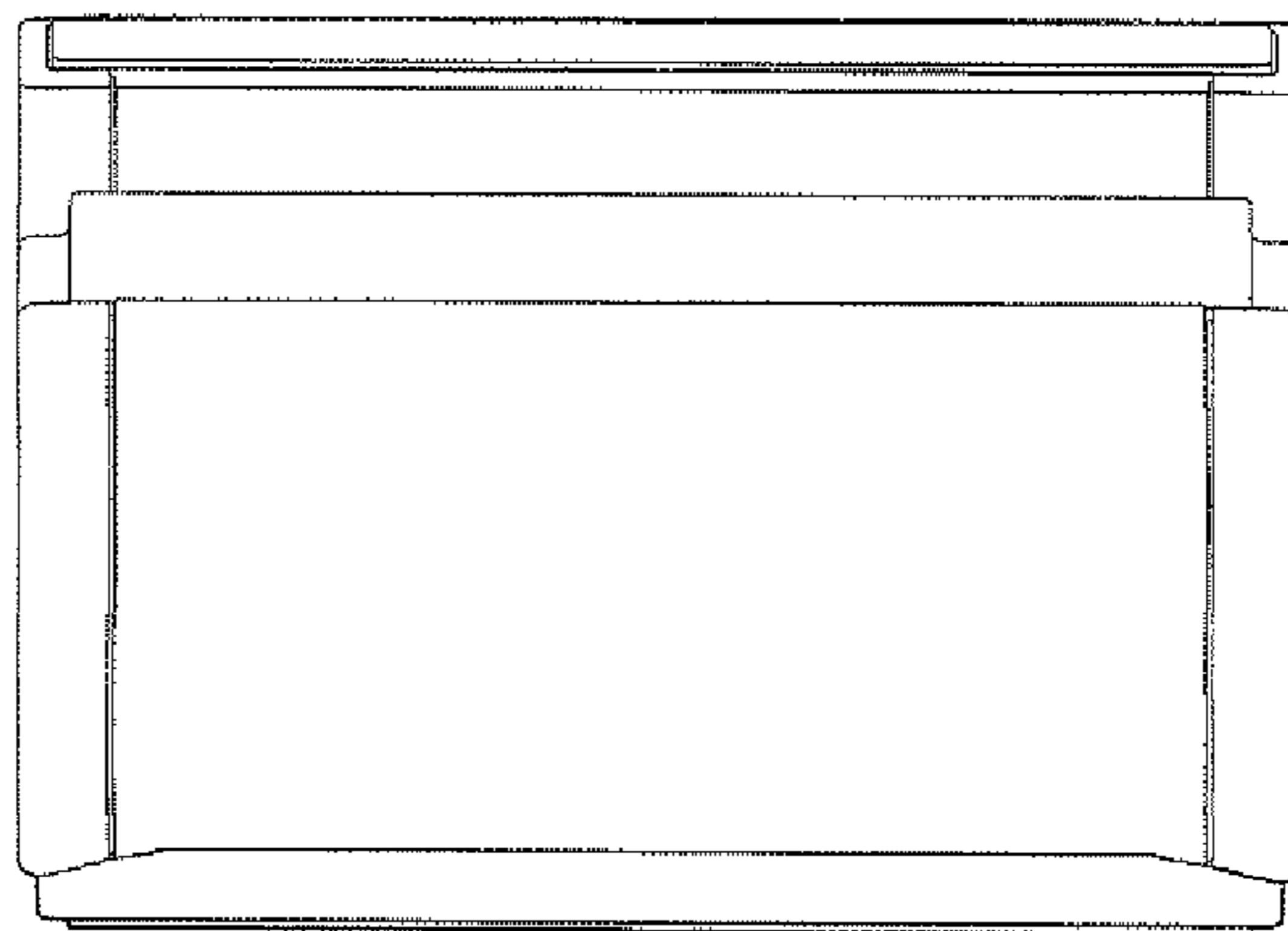


FIG. 4

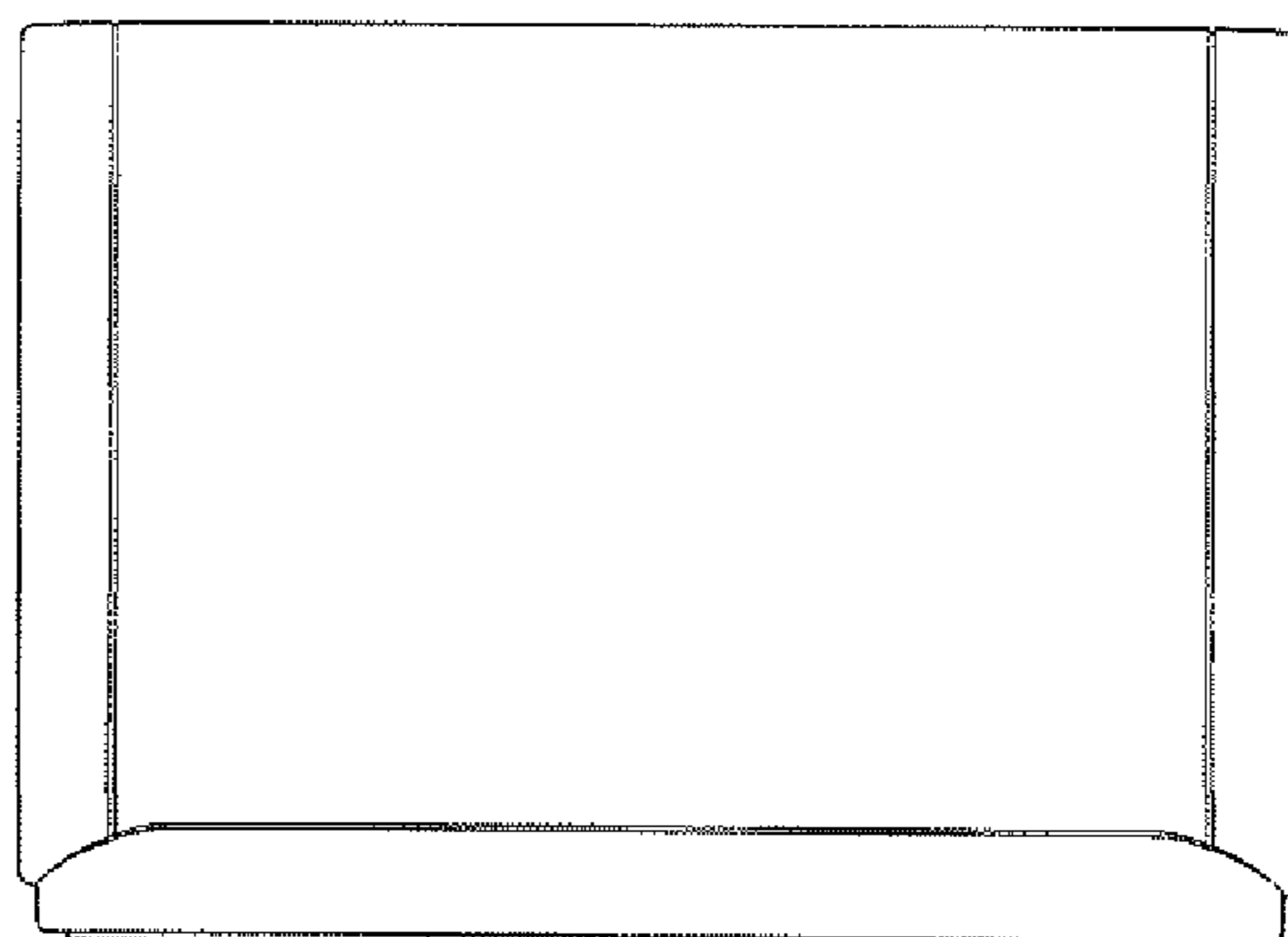


FIG. 5

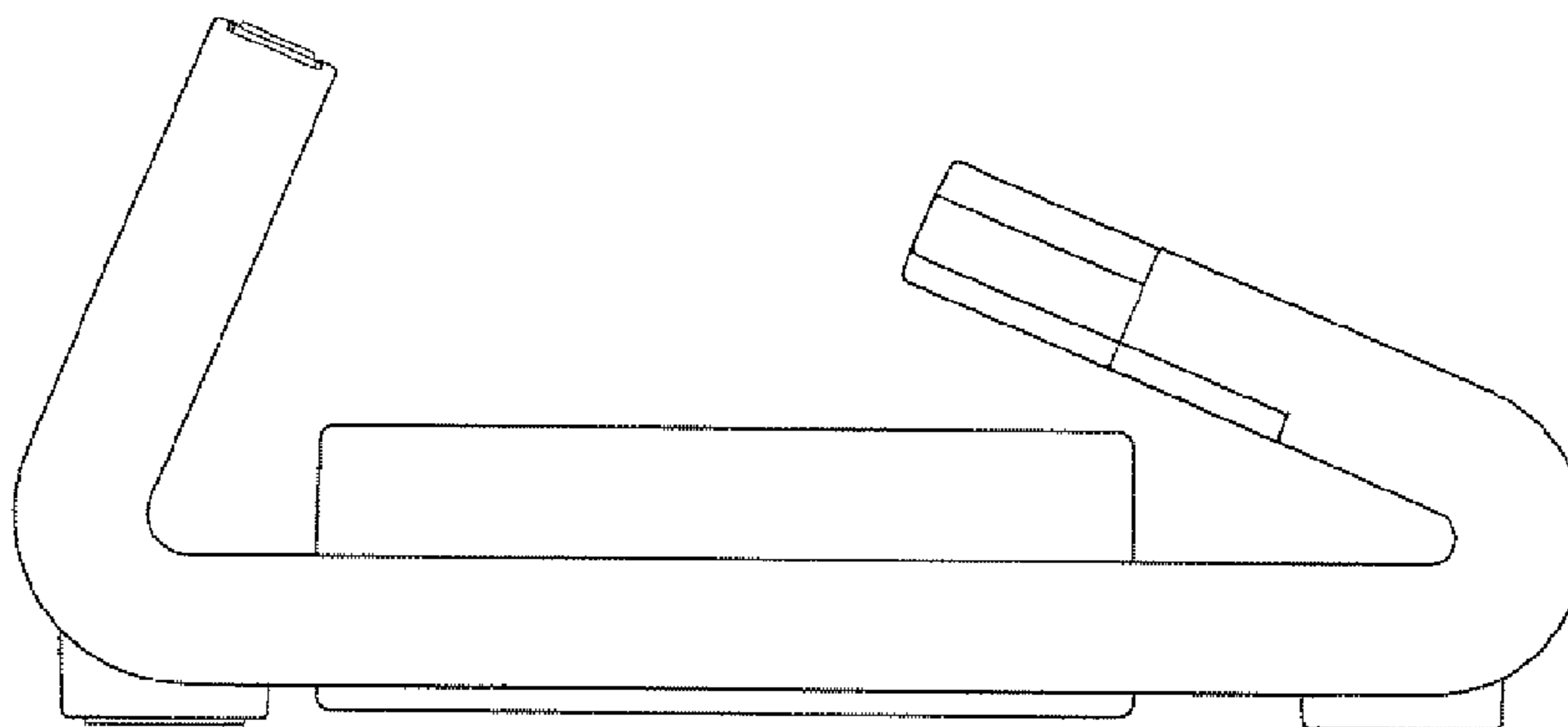


FIG. 6

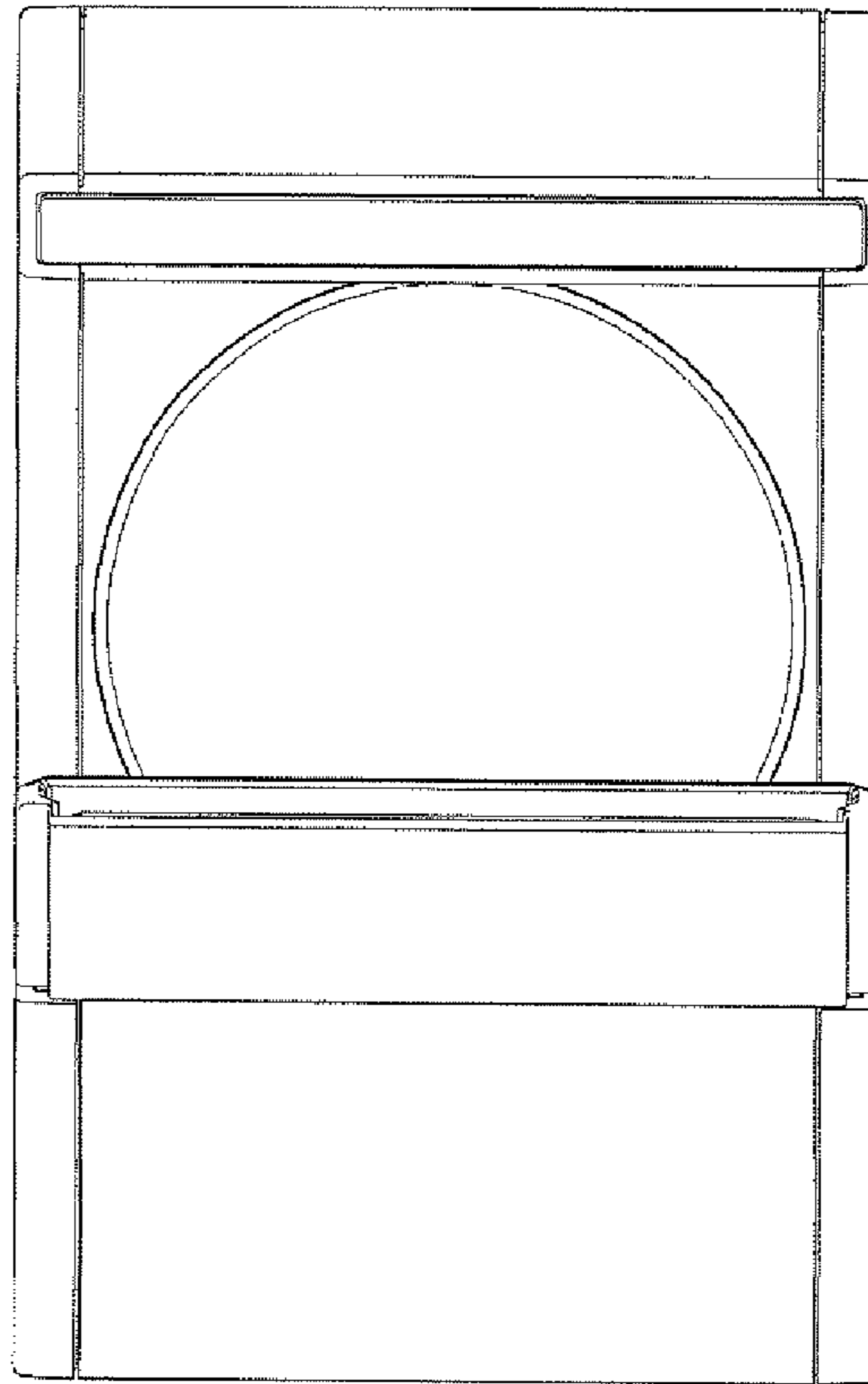
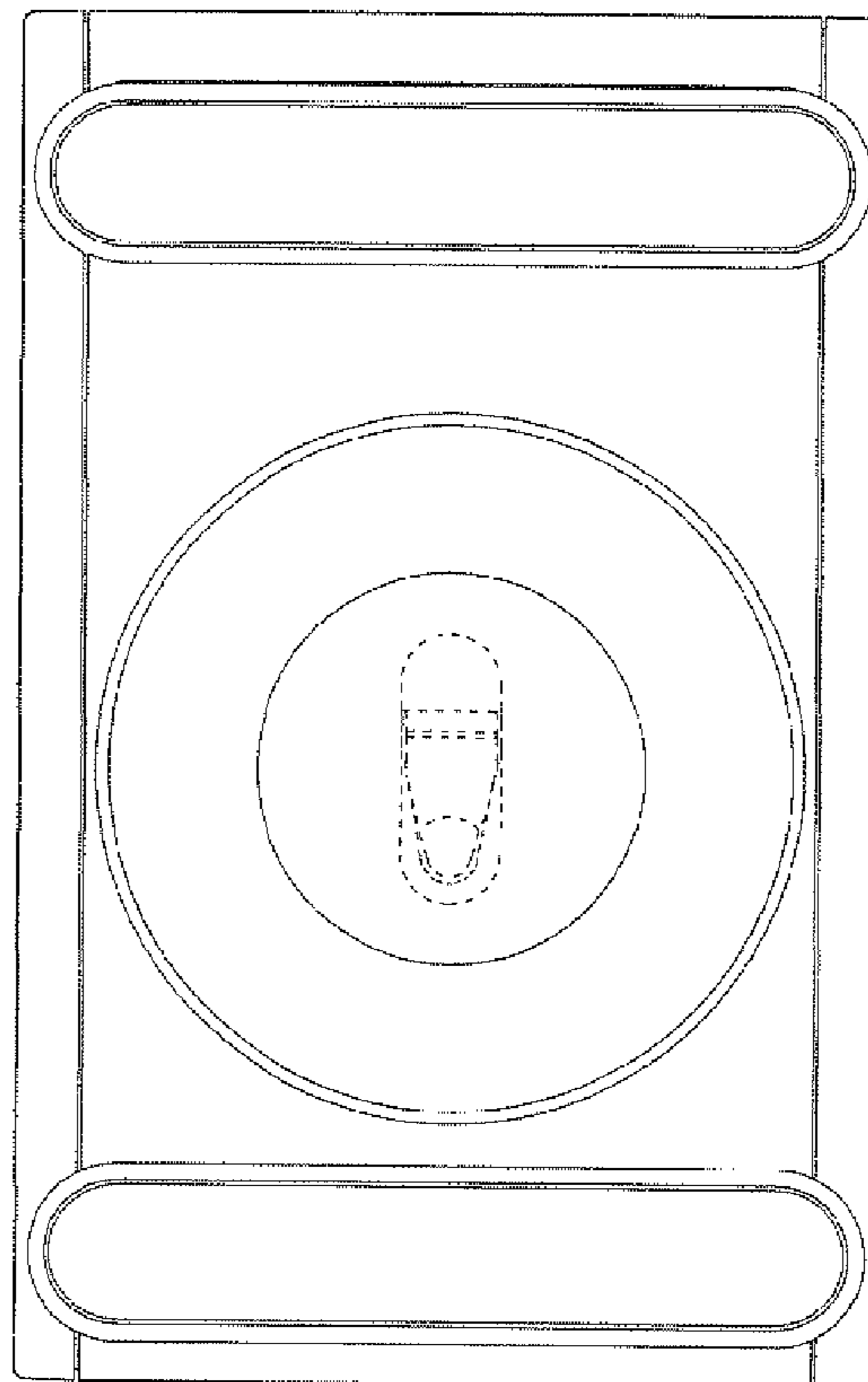


FIG. 7



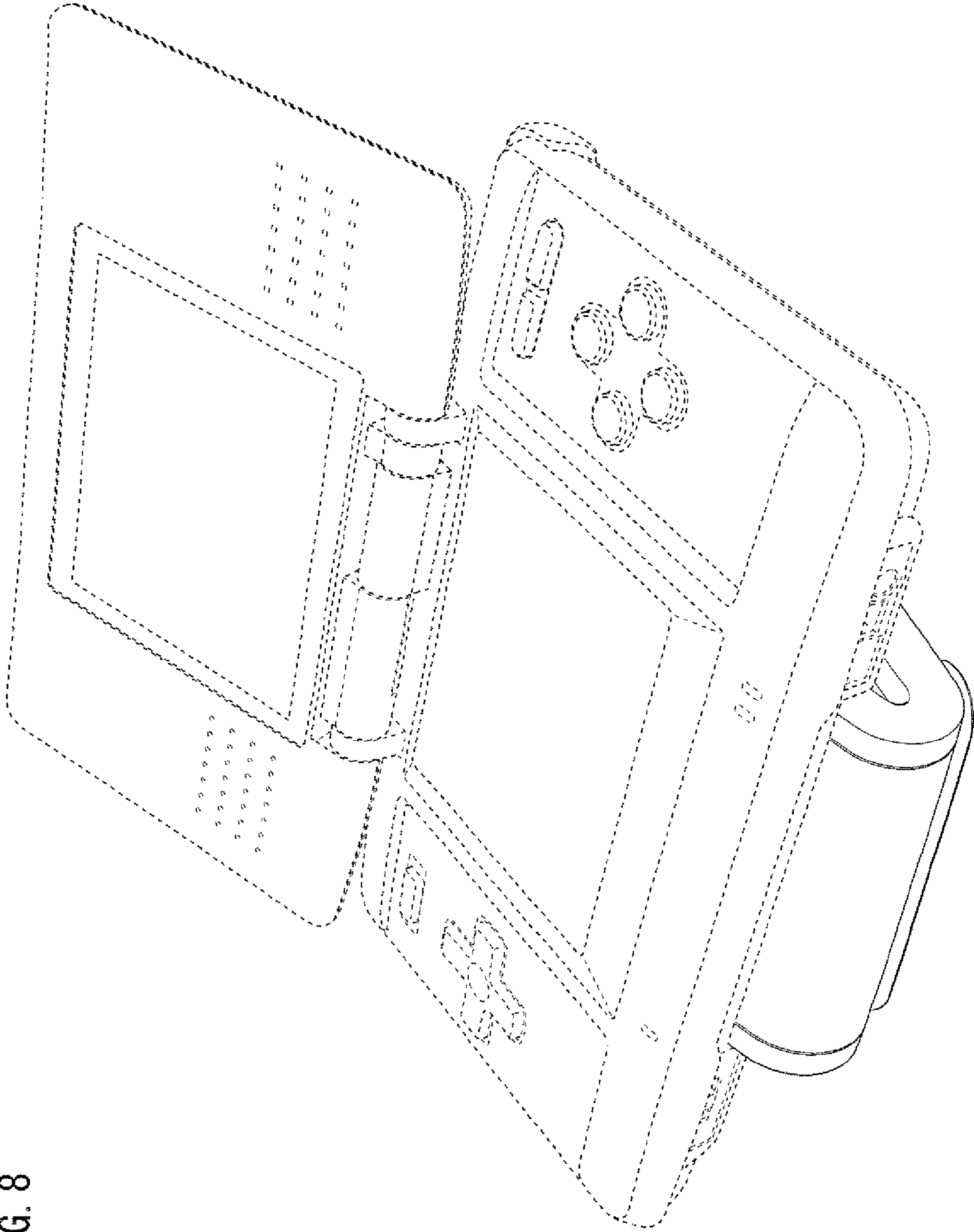


FIG. 8

FIG. 9

