



(12) **United States Design Patent**
Son et al.

(10) **Patent No.:** **US D589,960 S**
(45) **Date of Patent:** **** Apr. 7, 2009**

(54) **DISPLAY**

D517,551 S * 3/2006 Kim et al. D14/375
D524,313 S * 7/2006 Boo et al. D14/375

(75) Inventors: **Sang Hyeun Son**, Seoul (KR); **Ji Young Kim**, Seoul (KR); **Jae Neung Jung**, Gyeonggi-do (KR)

* cited by examiner

(73) Assignee: **LG Electronics Inc.**, Seoul (KR)

Primary Examiner—Freda S Nunn

(**) Term: **14 Years**

(74) *Attorney, Agent, or Firm*—Birch, Stewart, Kolasch & Birch, LLP

(21) Appl. No.: **29/283,398**

(57) **CLAIM**

(22) Filed: **Aug. 13, 2007**

The ornamental design for a display, as shown and described.

(30) **Foreign Application Priority Data**

DESCRIPTION

Feb. 15, 2007 (KR) 30-2007-0007140

(51) **LOC (9) Cl.** **14-02**

FIG. 1 is a perspective view of a display showing our new design;

(52) **U.S. Cl.** **D14/375**

FIG. 2 is a front view thereof;

(58) **Field of Classification Search** D14/371–376, D14/125–129; 345/104, 156, 168, 173, 901–905, 345/1.1, 157; 348/180, 184, 325; 248/917–924; 349/1, 2, 11, 62; 341/12; 361/680–686

FIG. 3 is a rear view thereof;

See application file for complete search history.

FIG. 4 is a left side view thereof;

FIG. 5 is a right side view thereof;

(56) **References Cited**

FIG. 6 is a top plan view thereof; and,

FIG. 7 is a bottom plan view thereof.

U.S. PATENT DOCUMENTS

D512,424 S * 12/2005 Kim D14/375

1 Claim, 6 Drawing Sheets

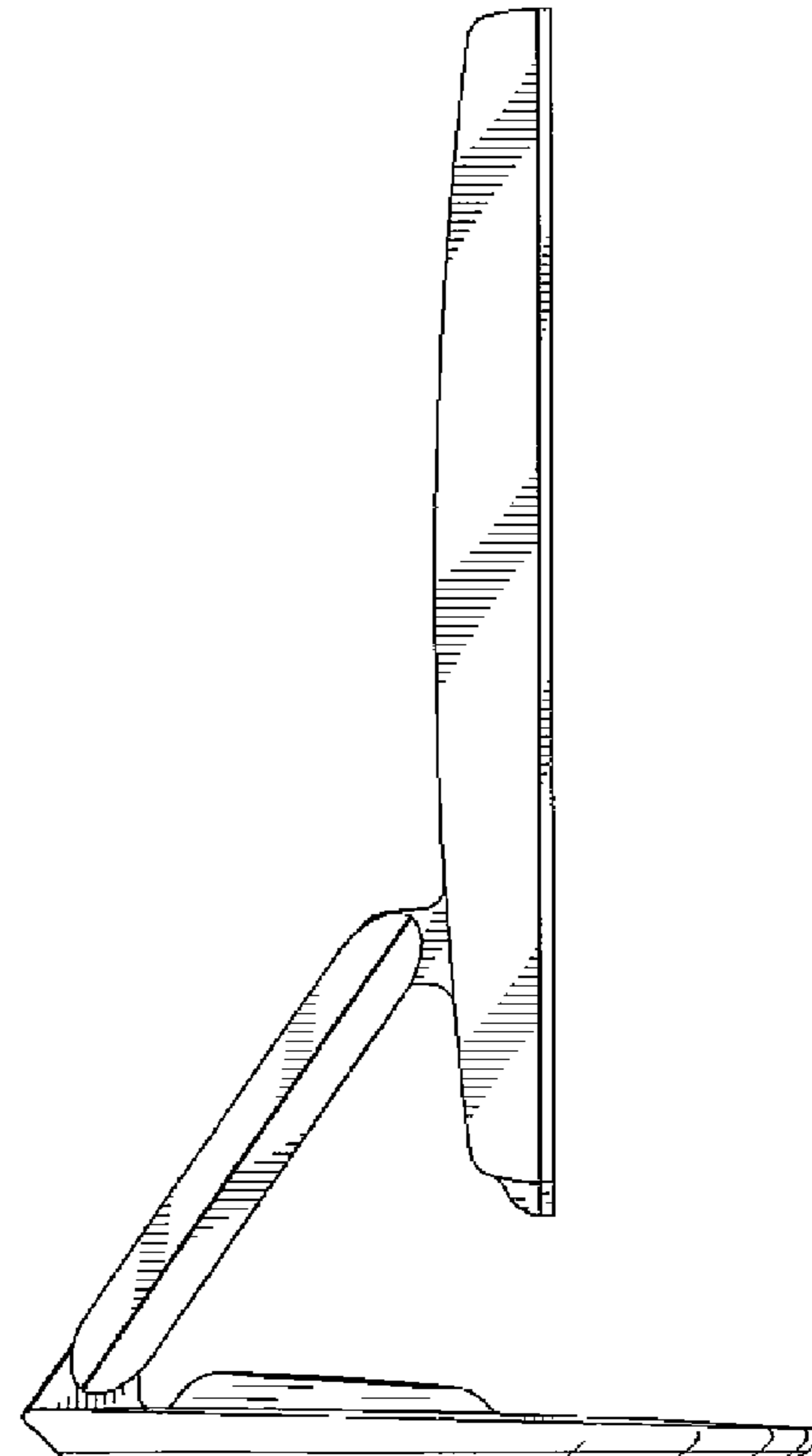
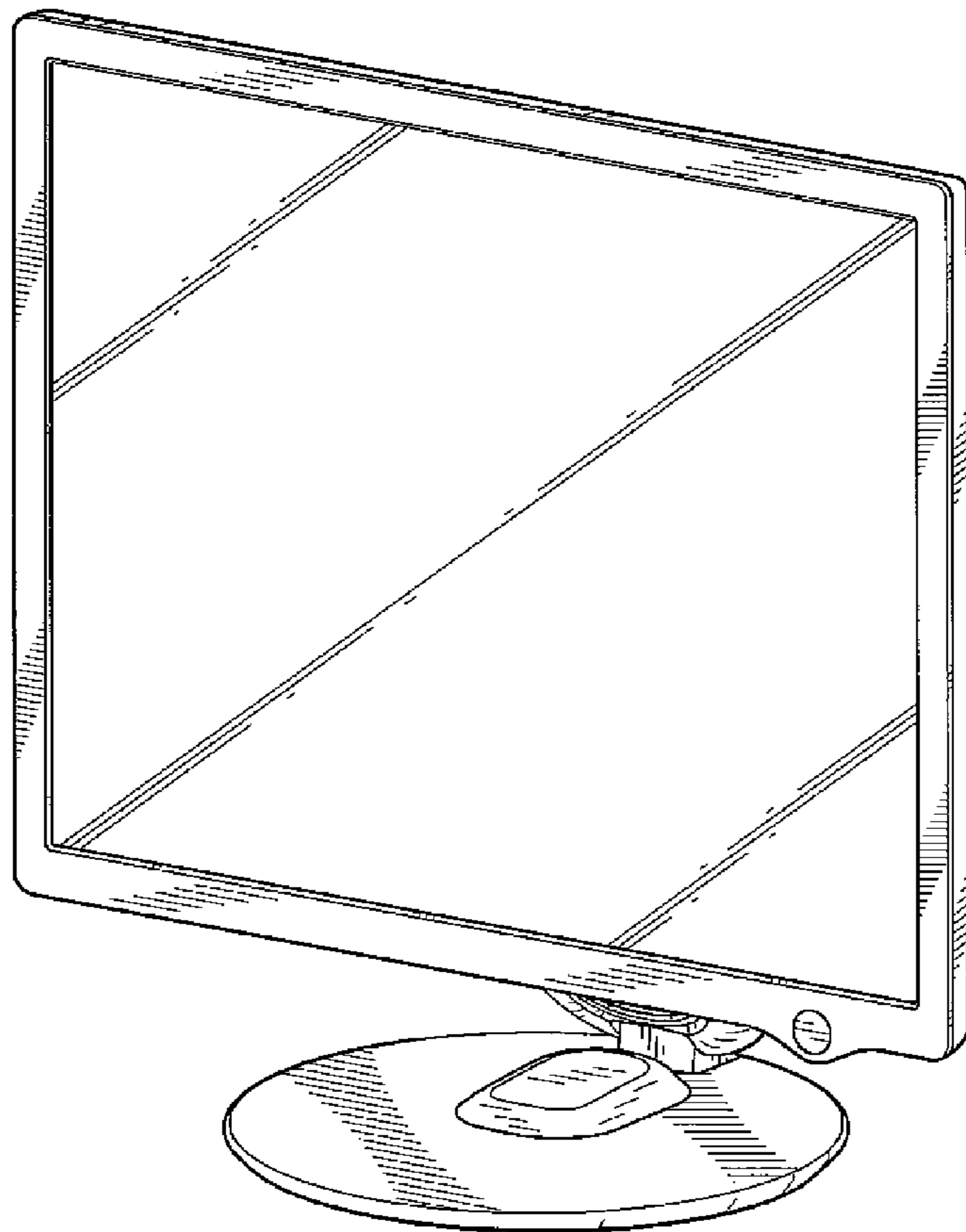


FIG. 1

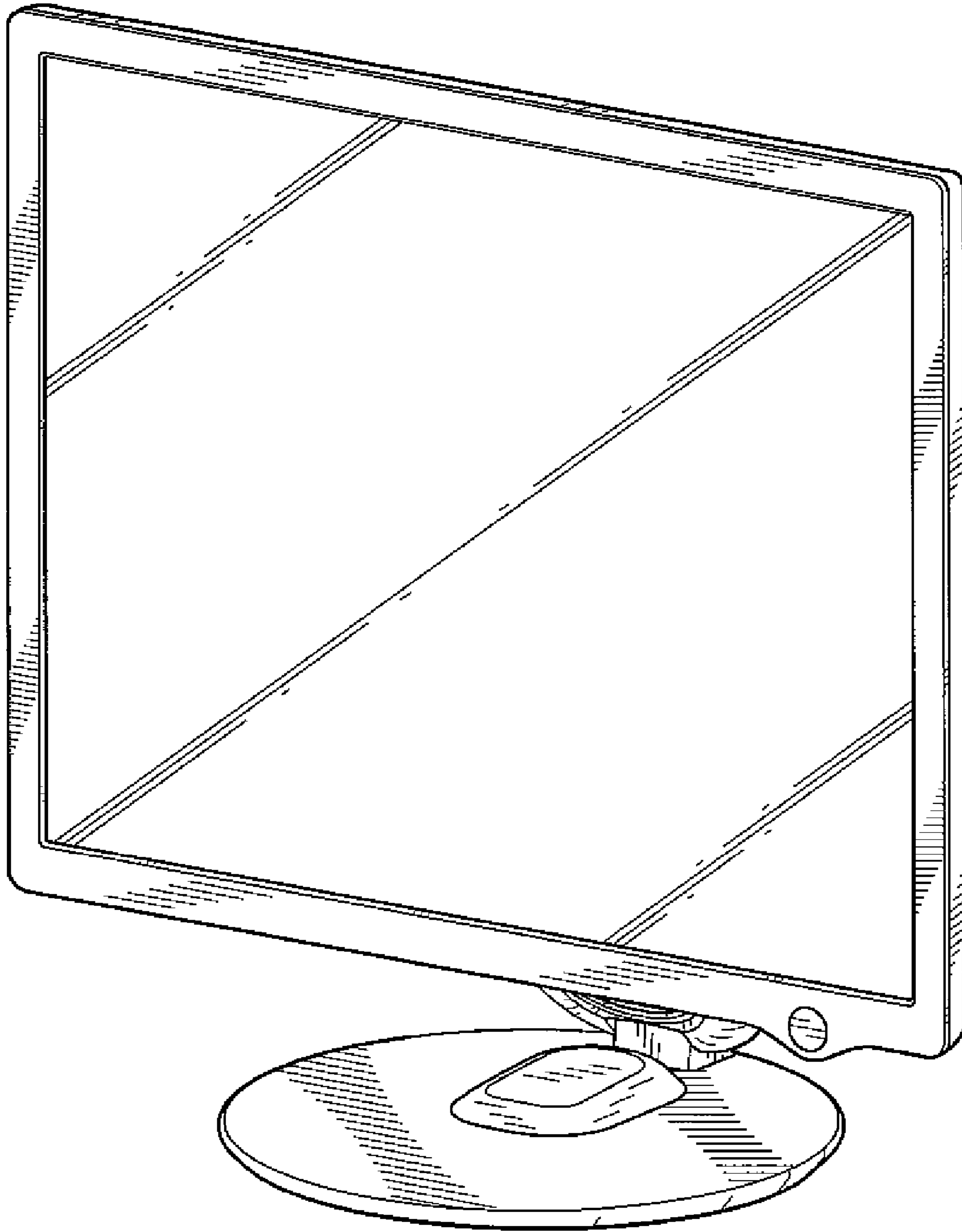


FIG. 2

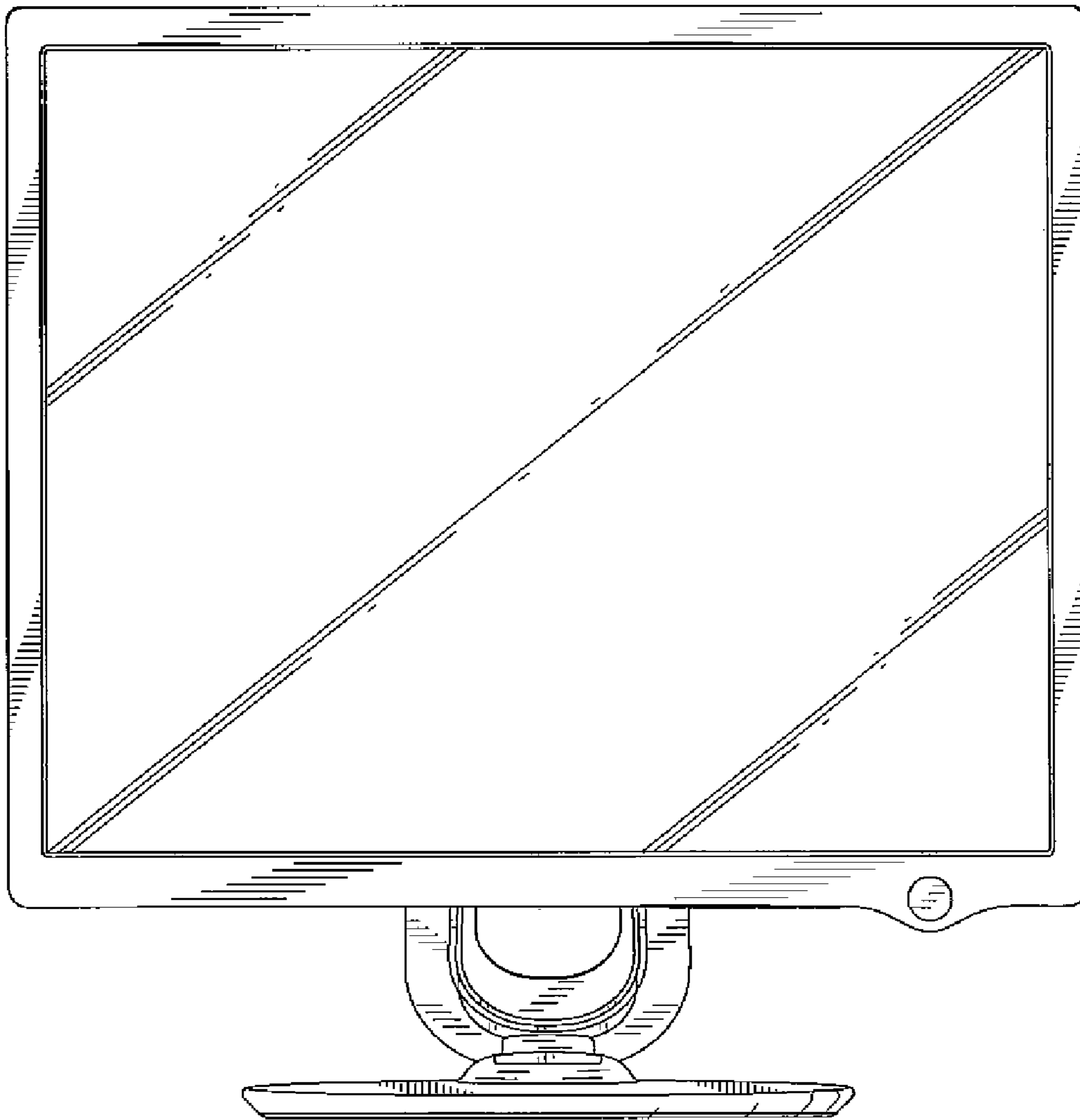


FIG. 3

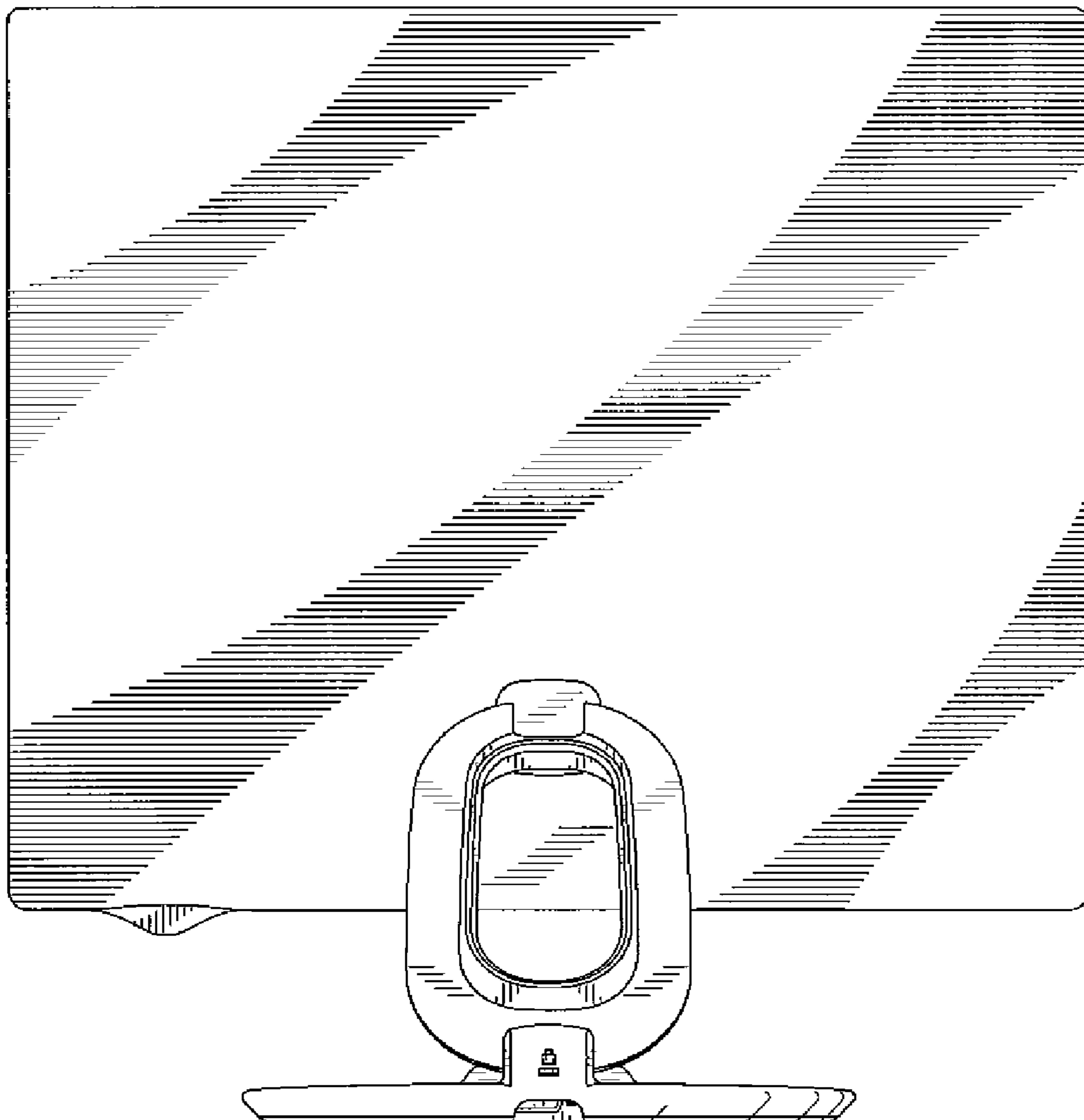


FIG. 4

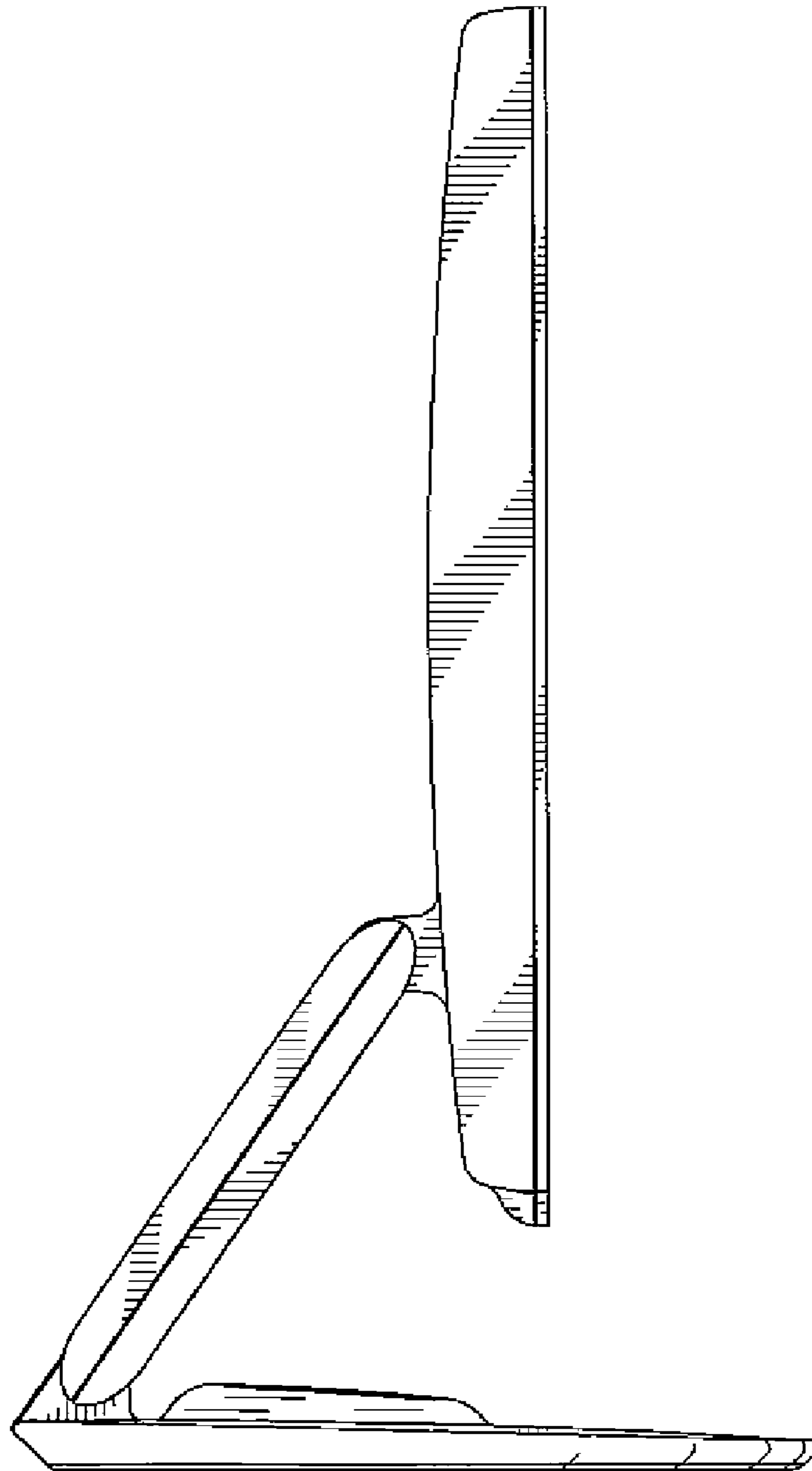


FIG. 5

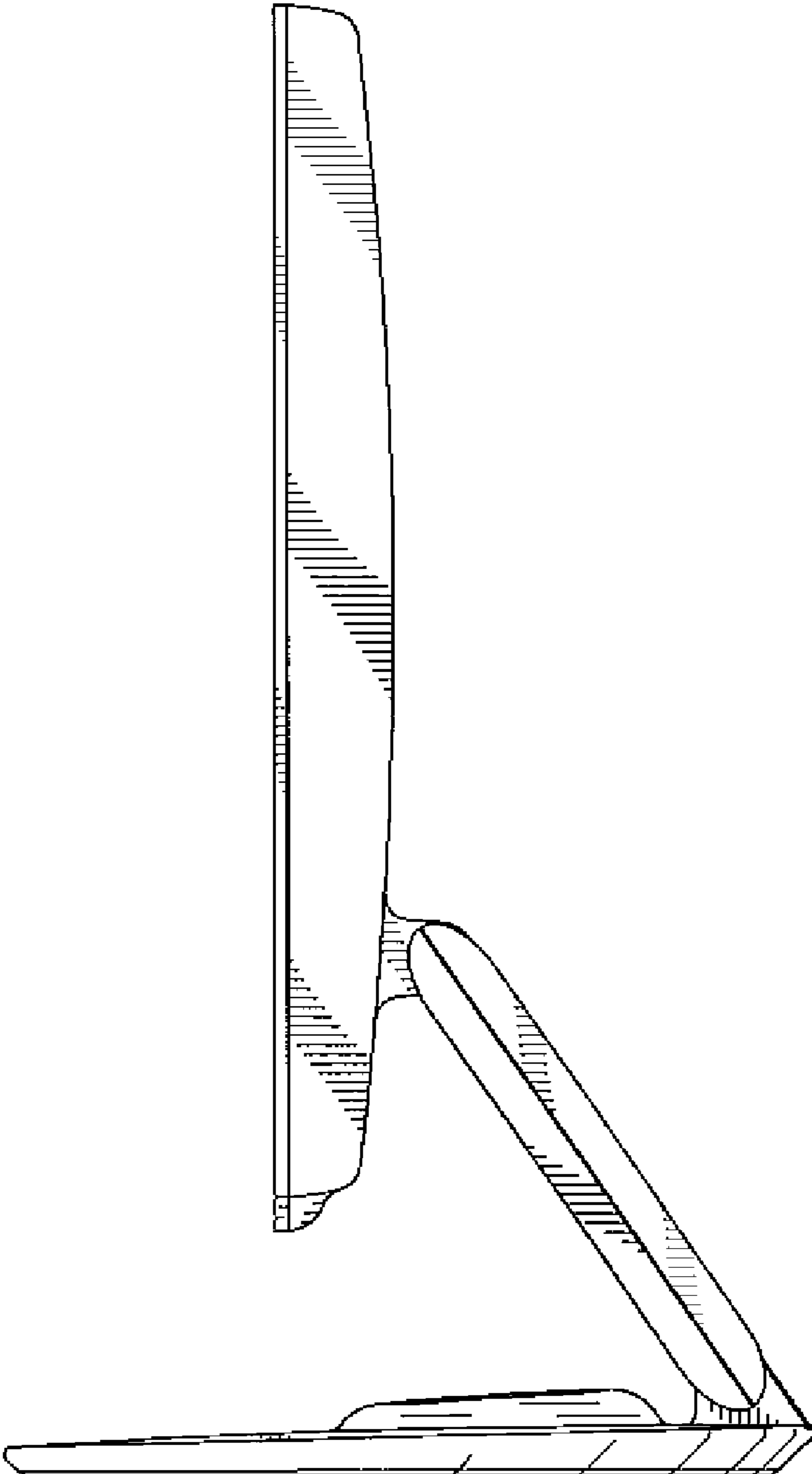


FIG. 6

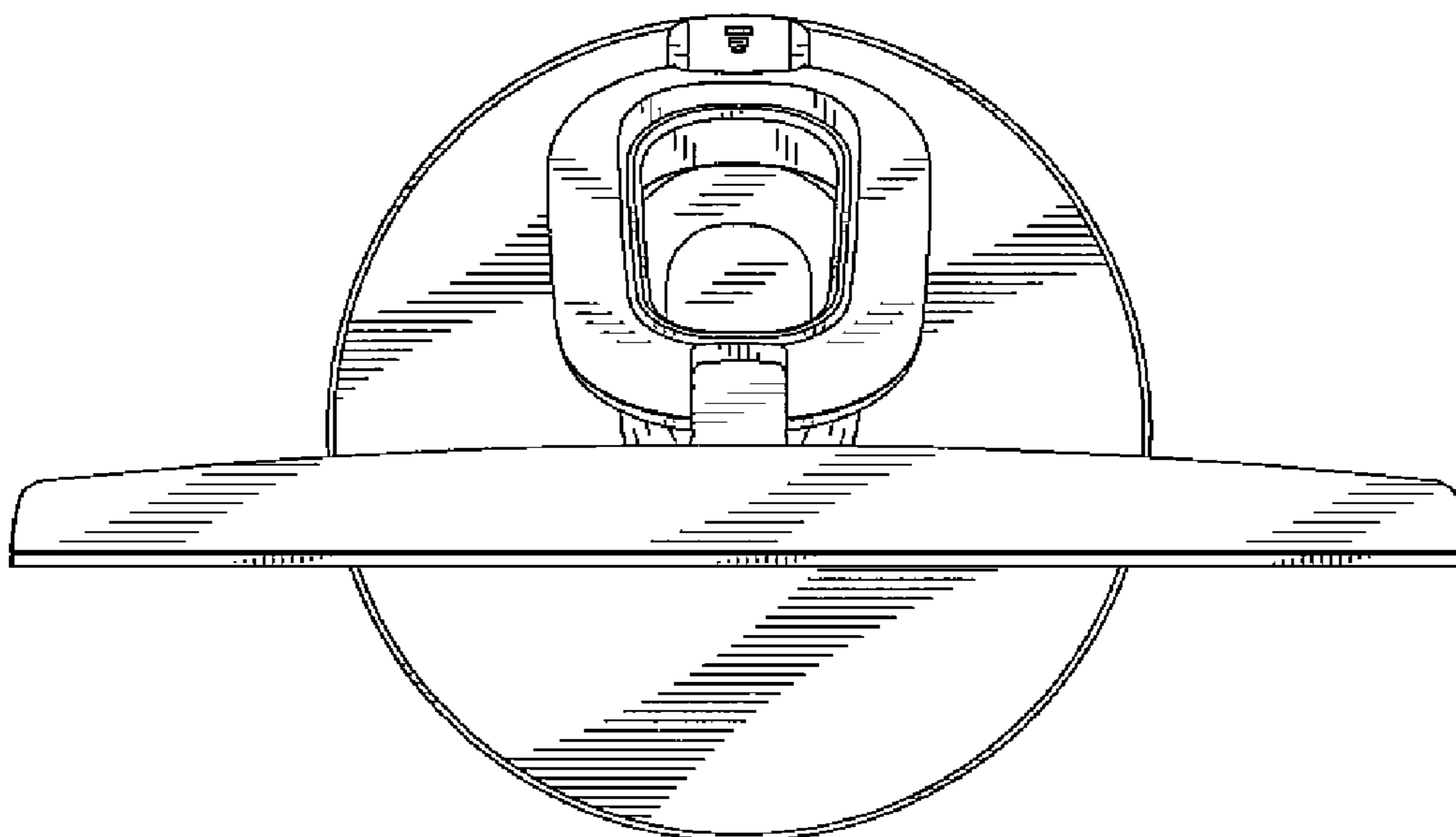


FIG. 7

