



US00D589959S

(12) **United States Design Patent**  
**Han**

(10) **Patent No.:** **US D589,959 S**

(45) **Date of Patent:** **\*\* Apr. 7, 2009**

(54) **DUAL DISPLAY MONITOR**

(75) Inventor: **Tai-Sheng (Andrew) Han**, Fullerton, CA (US)

(73) Assignee: **EVGA Corporation**, Brea, CA (US)

(\*\*) Term: **14 Years**

(21) Appl. No.: **29/299,538**

(22) Filed: **Dec. 28, 2007**

(51) **LOC (9) Cl.** ..... **14-02**

(52) **U.S. Cl.** ..... **D14/373**

(58) **Field of Classification Search** ..... D14/371-376,  
D14/125-129, 317; 248/917-924, 278.1,  
248/122.1, 124.1; 349/12, 1, 2, 11, 62; 345/104,  
345/156, 168, 173, 901-905; 348/180, 184,  
348/325, 739; 361/681; 715/761

See application file for complete search history.

(56) **References Cited**

**U.S. PATENT DOCUMENTS**

D397,998	S *	9/1998	Ambroe	.....	D14/373
5,904,328	A *	5/1999	Leveridge et al.	.....	248/124.1
RE36,978	E *	12/2000	Moscovitch	.....	248/122.1
6,343,006	B1 *	1/2002	Moscovitch et al.	.....	361/681
6,554,238	B1 *	4/2003	Hibberd	.....	248/278.1
6,667,877	B2 *	12/2003	Duquette	.....	361/681
D496,363	S *	9/2004	Ozolins et al.	.....	D14/375
D496,662	S *	9/2004	Borsboom	.....	D14/371
D507,270	S *	7/2005	Ozolins et al.	.....	D14/375
7,237,202	B2 *	6/2007	Gage	.....	715/761

2003/0090473 A1\* 5/2003 Joshi ..... 345/173  
2004/0212602 A1\* 10/2004 Nako et al. .... 345/173

\* cited by examiner

*Primary Examiner*—Freda S Nunn

(74) *Attorney, Agent, or Firm*—Claude A. S. Hamrick; IPxLAW Group LLP

(57) **CLAIM**

The ornamental design for dual display monitor, as shown and described.

**DESCRIPTION**

FIG. 1 is a perspective view of a dual display monitor showing my new design;

FIG. 2 is a top view thereof;

FIG. 3 is a front view thereof;

FIG. 4 is a right view thereof;

FIG. 5 is a left view thereof;

FIG. 6 is a back view thereof;

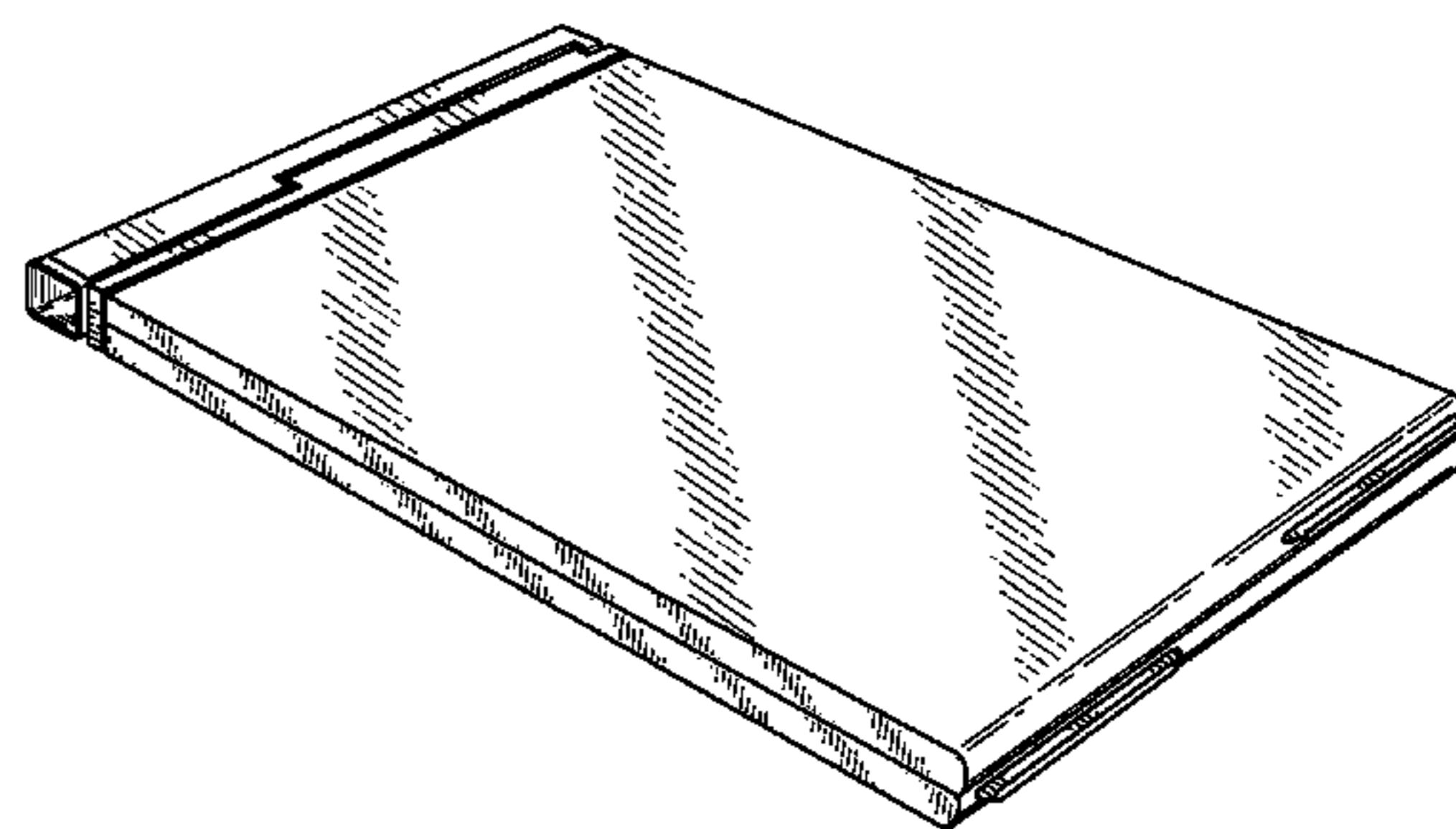
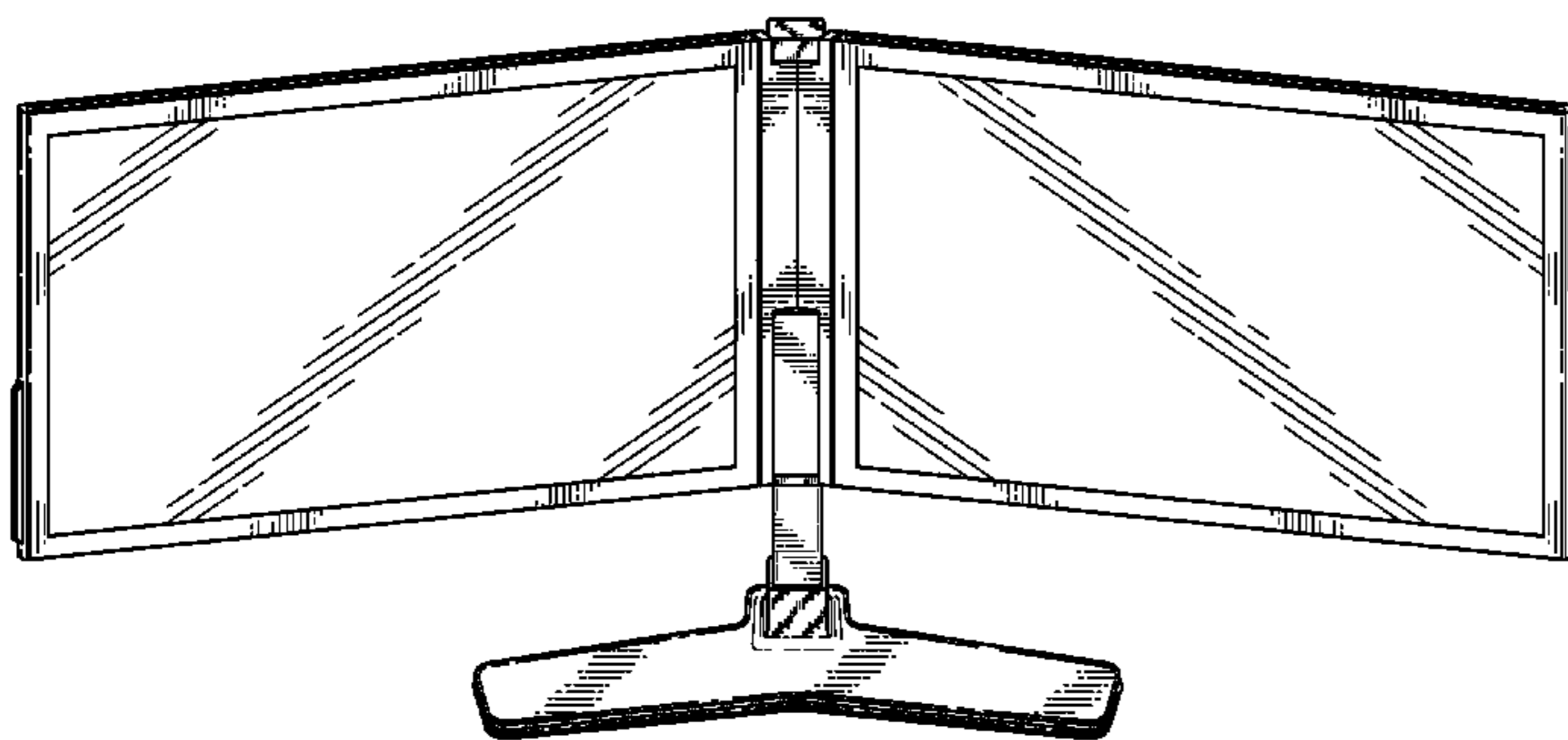
FIG. 7 is a perspective view thereof with the screens folded to face each other and the port taken out for the purpose of illustration;

FIG. 8 is a top view thereof with the screens slightly folded;

FIG. 9 is a right view thereof with the screens folded to face each other; and,

FIG. 10 is a left view thereof with the screens folded to face each other.

**1 Claim, 8 Drawing Sheets**



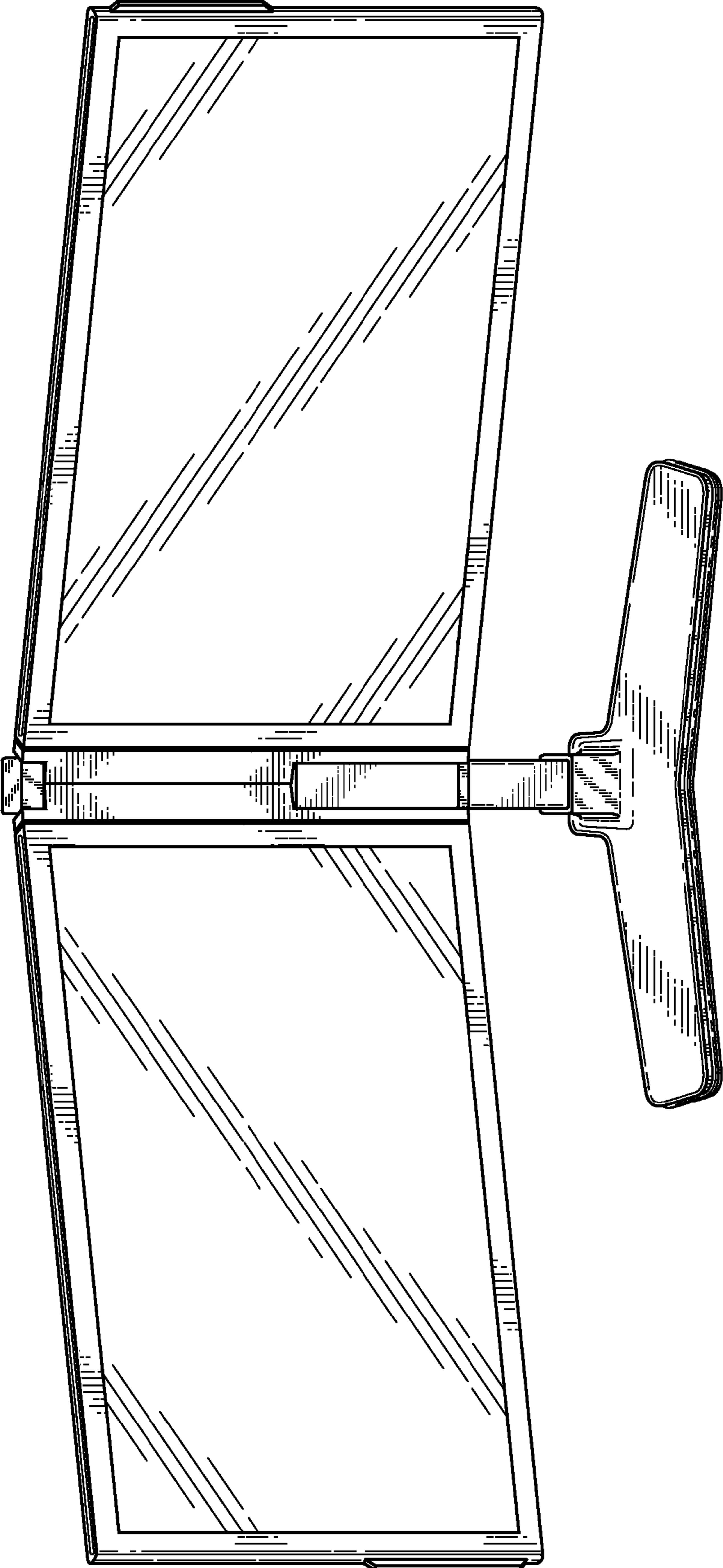


FIG. 1

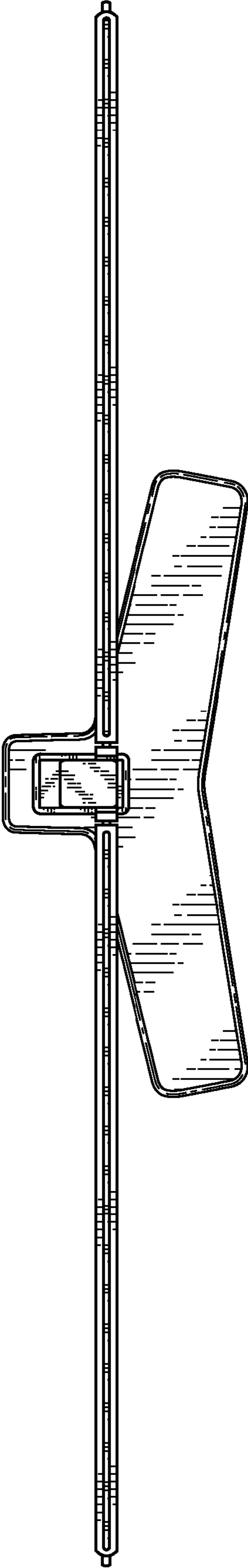


FIG. 2

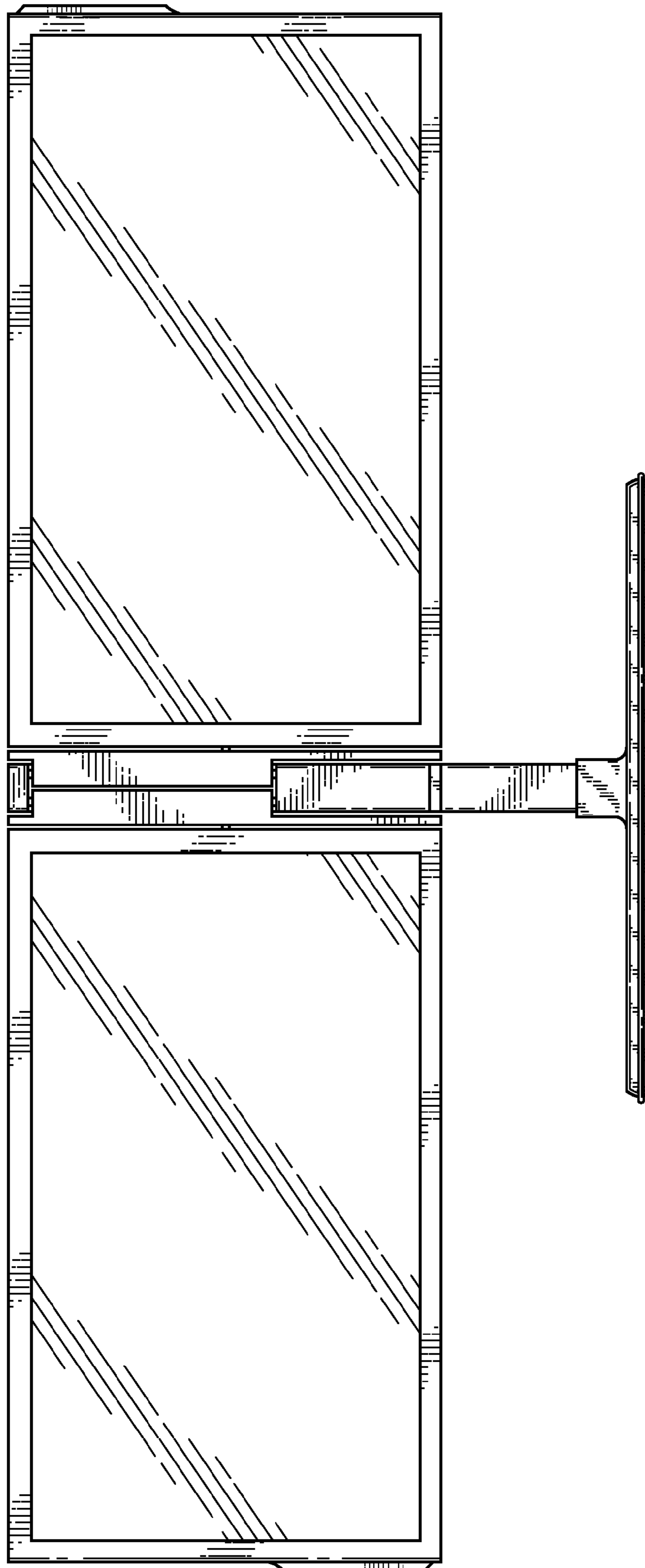


FIG. 3

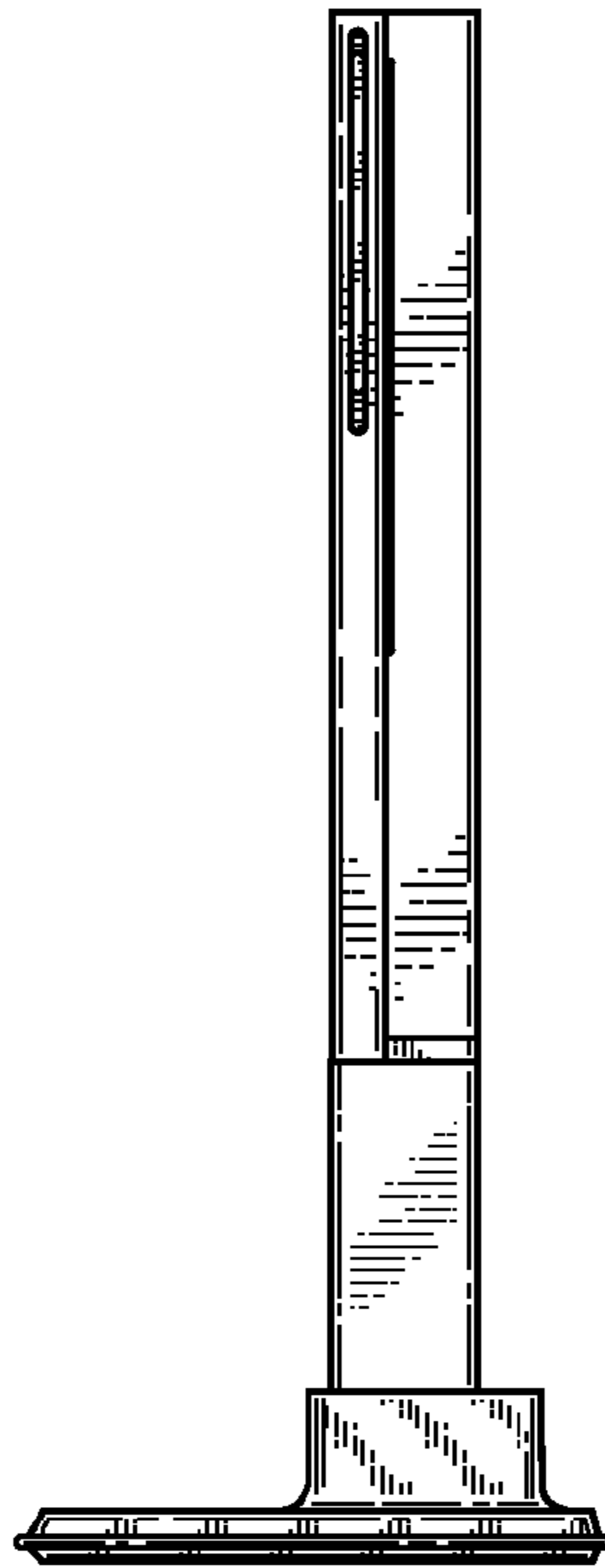


FIG. 4

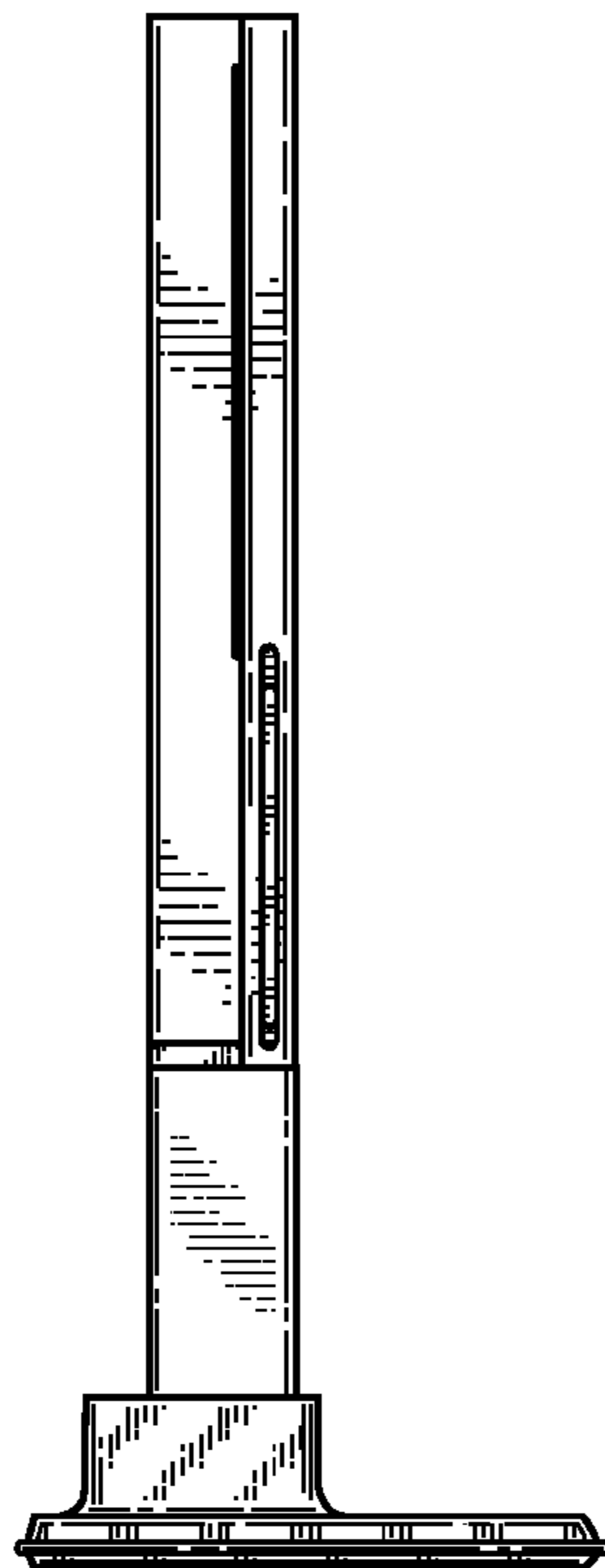


FIG. 5

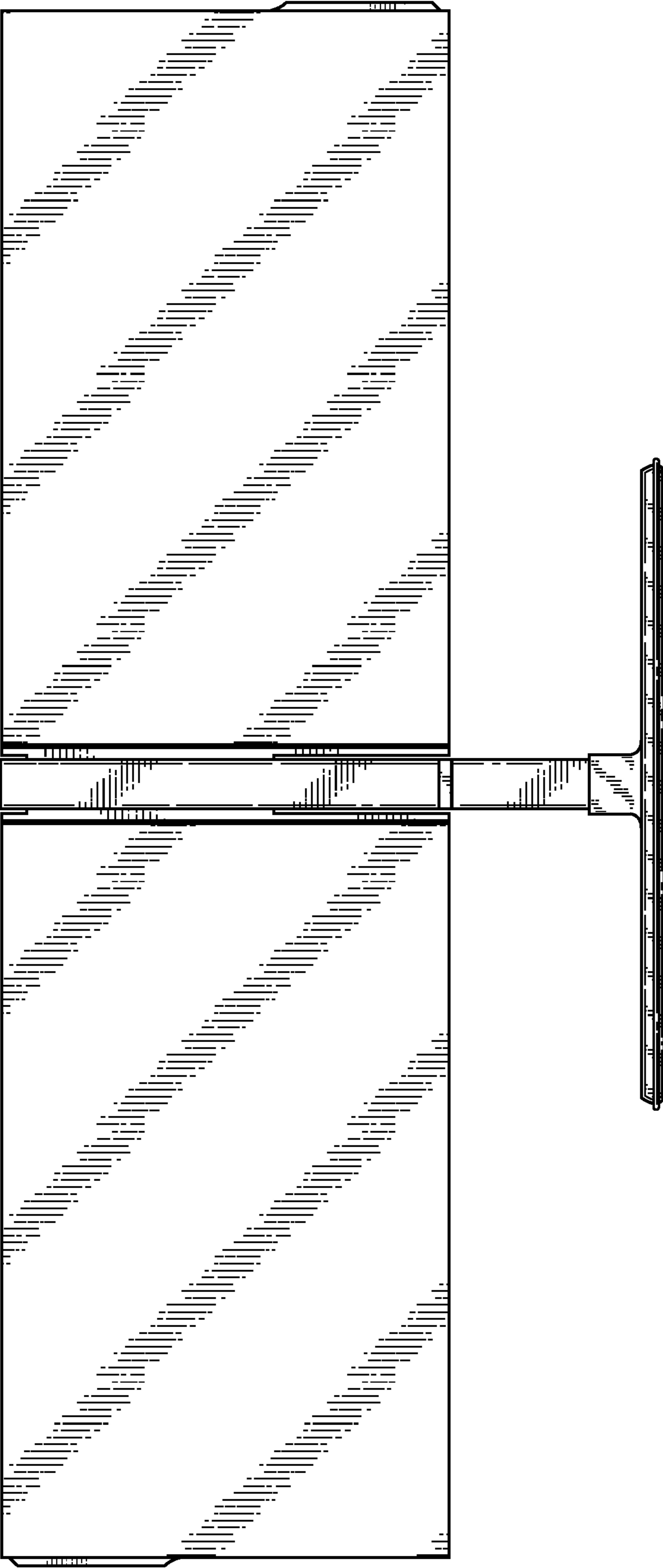


FIG. 6

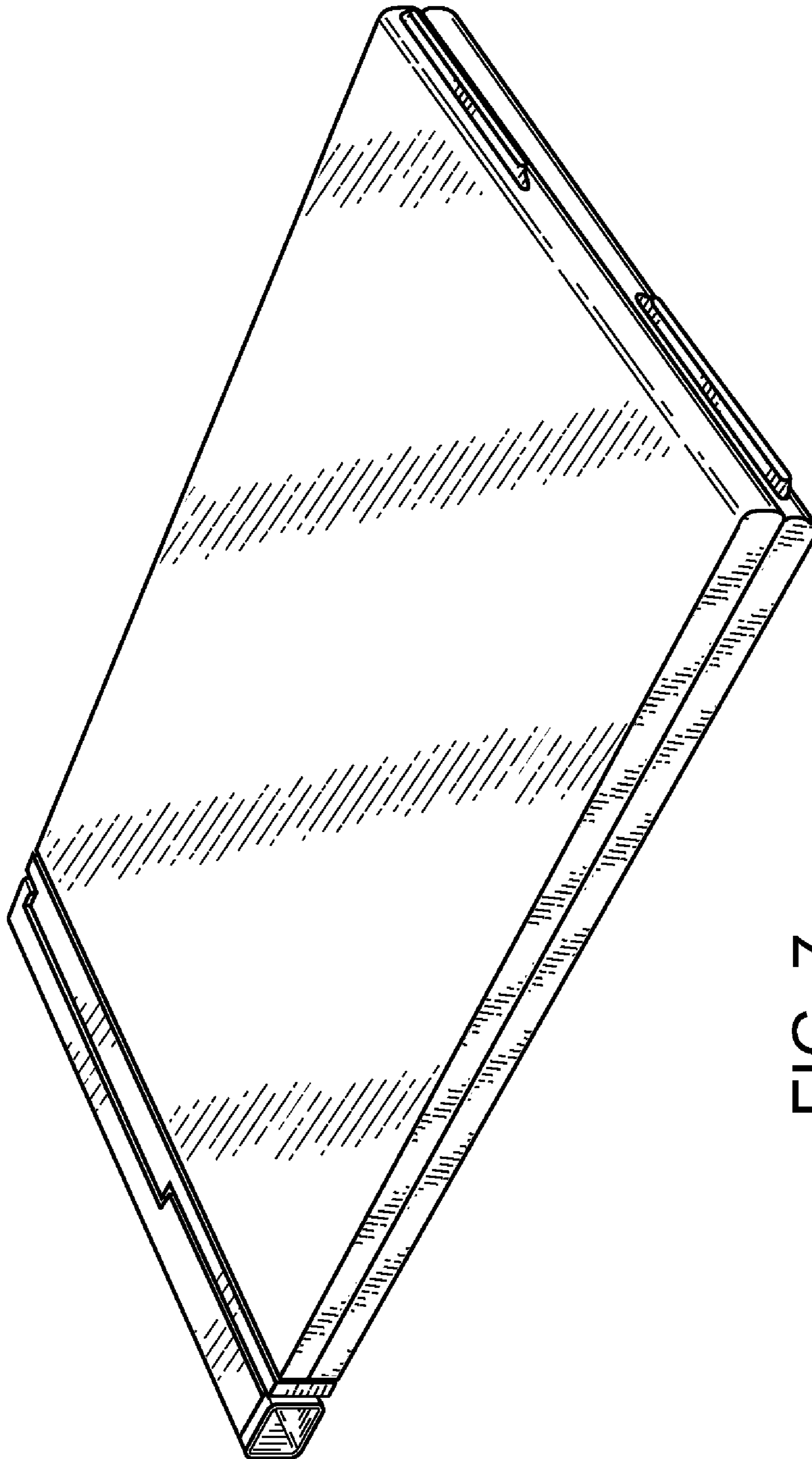


FIG. 7

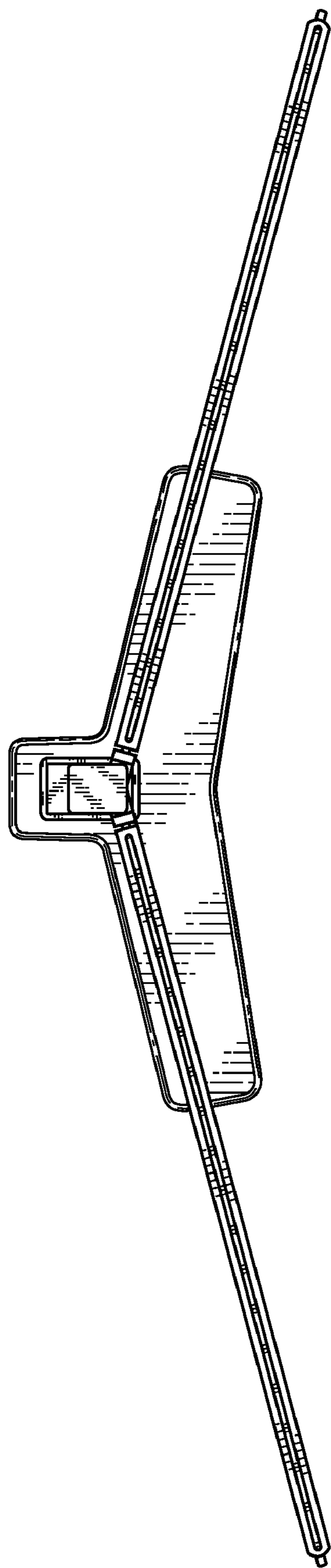


FIG. 8



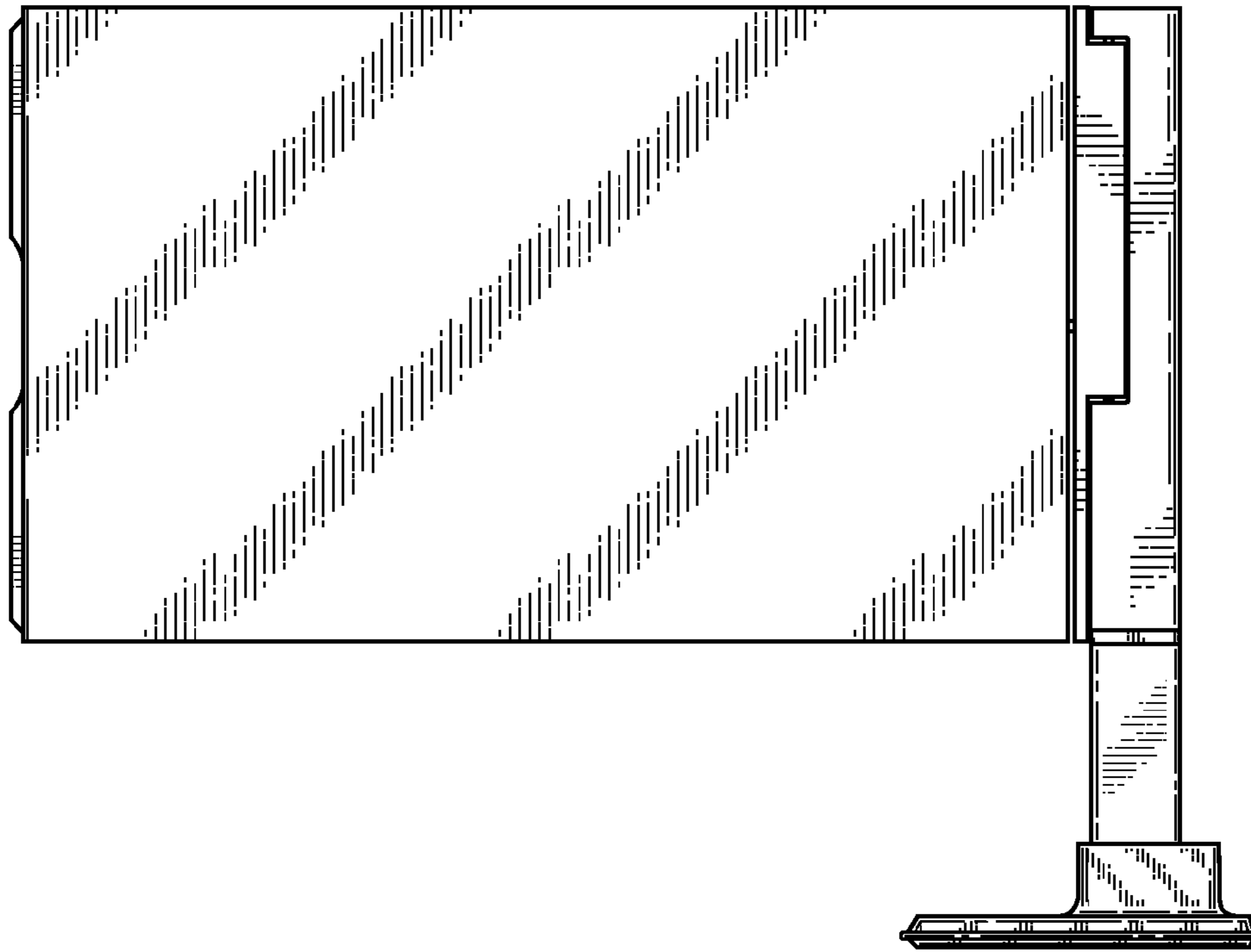


FIG. 9

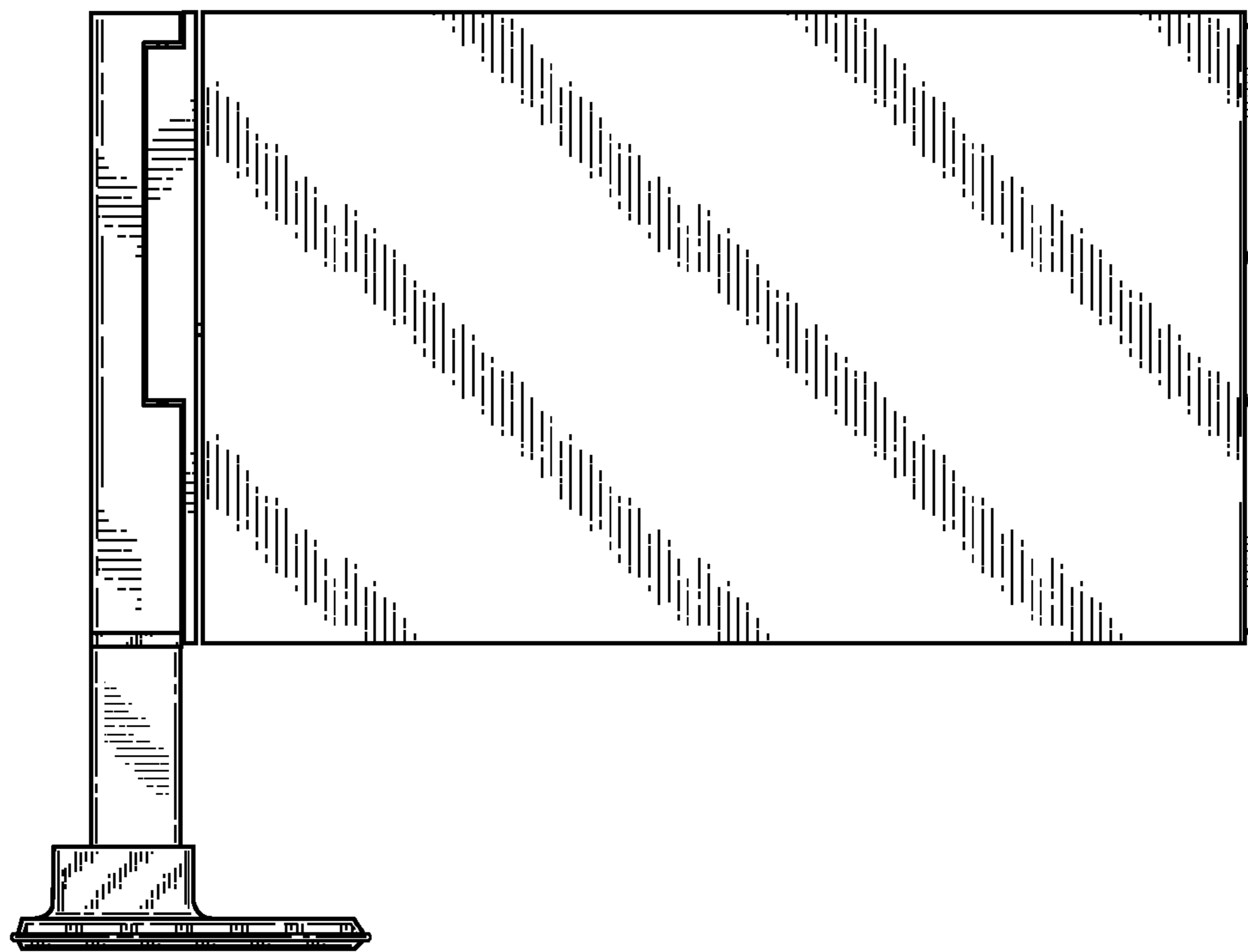


FIG. 10