



US00D589957S

(12) **United States Design Patent**
Reger et al.

(10) **Patent No.:** **US D589,957 S**

(45) **Date of Patent:** **** Apr. 7, 2009**

(54) **INFORMATION HANDLING SYSTEM
DISPLAY DEVICE**

(75) Inventors: **James Reger**, Austin, TX (US); **Andrew Tosh**, Cedar Park, TX (US)

(73) Assignee: **Dell Products L.P.**, Round Rock, TX (US)

(**) Term: **14 Years**

(21) Appl. No.: **29/303,893**

(22) Filed: **Feb. 20, 2008**

(51) **LOC (9) Cl.** **14-02**

(52) **U.S. Cl.** **D14/371**

(58) **Field of Classification Search** D14/125–129,
D14/314, 331, 335–337, 371–375; 345/104,
345/156, 168, 173; 348/180, 184, 325, 739;
248/917–924; 349/1, 2, 11, 62; 341/12;
361/680–686; 312/223.3; 211/26

See application file for complete search history.

(56) **References Cited**

U.S. PATENT DOCUMENTS

D269,270	S *	6/1983	Coppola	D14/335
D404,025	S *	1/1999	Van Horne et al.	D14/331
D423,466	S *	4/2000	Kuchta et al.	D14/335
D427,597	S *	7/2000	Arfin et al.	D14/375
6,201,690	B1 *	3/2001	Moore et al.	361/683
6,233,138	B1 *	5/2001	Osgood	361/681
D447,483	S	9/2001	Wu	
6,665,175	B1 *	12/2003	deBoer et al.	361/681
6,827,409	B2 *	12/2004	Michael	312/223.3
6,945,412	B2 *	9/2005	Felcman et al.	211/26
6,956,735	B2 *	10/2005	Lee et al.	361/683

7,019,963	B2 *	3/2006	Lee et al.	361/683
D539,280	S *	3/2007	Andresen	D14/335
D545,823	S	7/2007	Cornelius, III et al.	
7,256,986	B2 *	8/2007	Williams et al.	361/683
D551,224	S *	9/2007	Hatling et al.	D14/331
D553,616	S	10/2007	Tosh et al.	
D561,774	S	2/2008	Flanegan et al.	
D562,329	S	2/2008	Flanegan et al.	
2004/0228077	A1 *	11/2004	Hall et al.	361/681

* cited by examiner

Primary Examiner—Freda S Nunn

(74) *Attorney, Agent, or Firm*—Hamilton & Terrile, LLP; Stephen A. Terrile

(57) **CLAIM**

We claim the ornamental design for an information handling system display device, as shown and described.

DESCRIPTION

FIG. 1 is a front perspective view of the information handling system display device comprising the present invention;

FIG. 2 is a front view thereof;

FIG. 3 is a top view thereof;

FIG. 4 is a bottom view thereof;

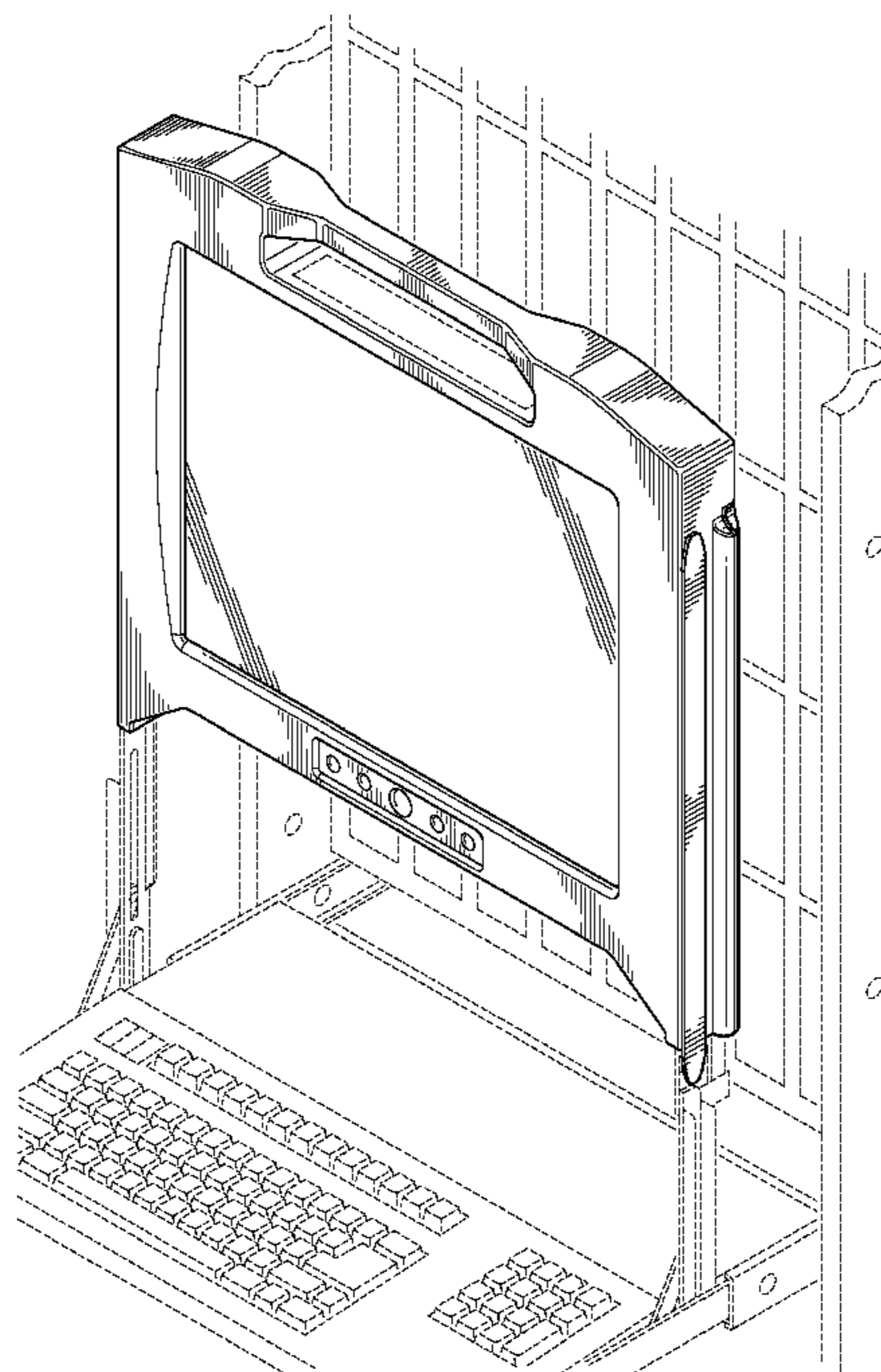
FIG. 5 is a side view thereof;

FIG. 6 is a back view thereof; and,

FIG. 7 is an opposite side view thereof.

Broken lines shown in the drawings illustrate portions of the information handling system display device and form no part of the claimed design.

1 Claim, 3 Drawing Sheets



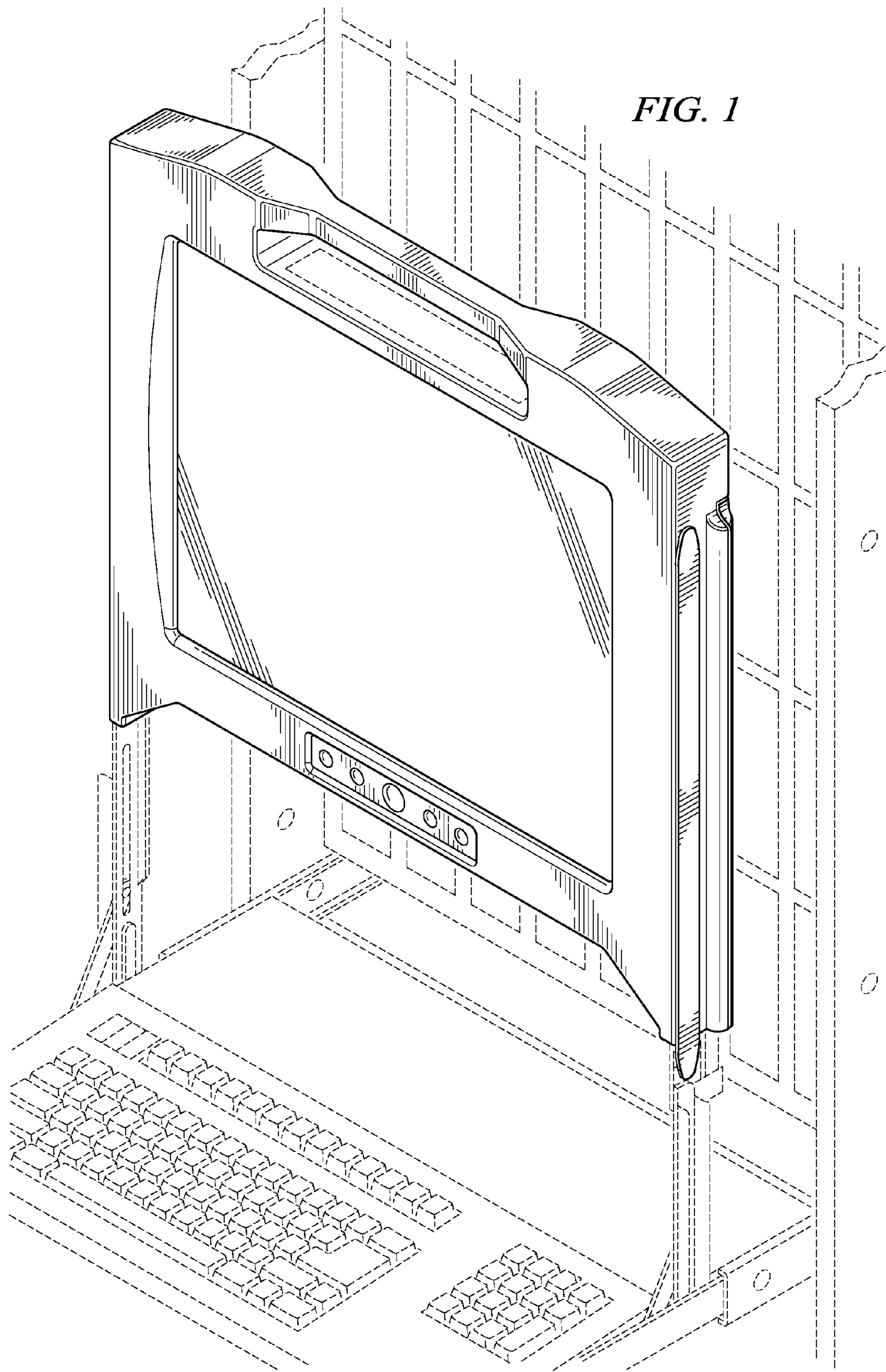


FIG. 3

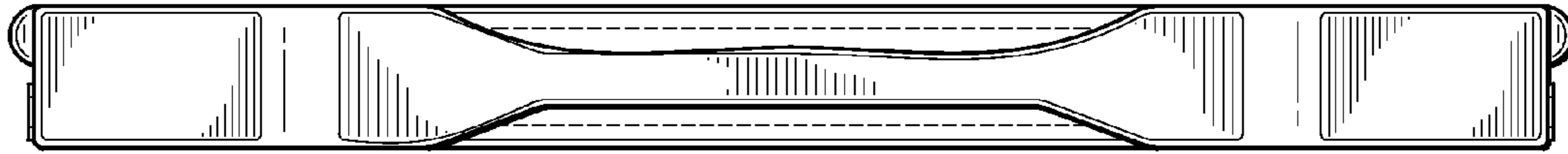


FIG. 2

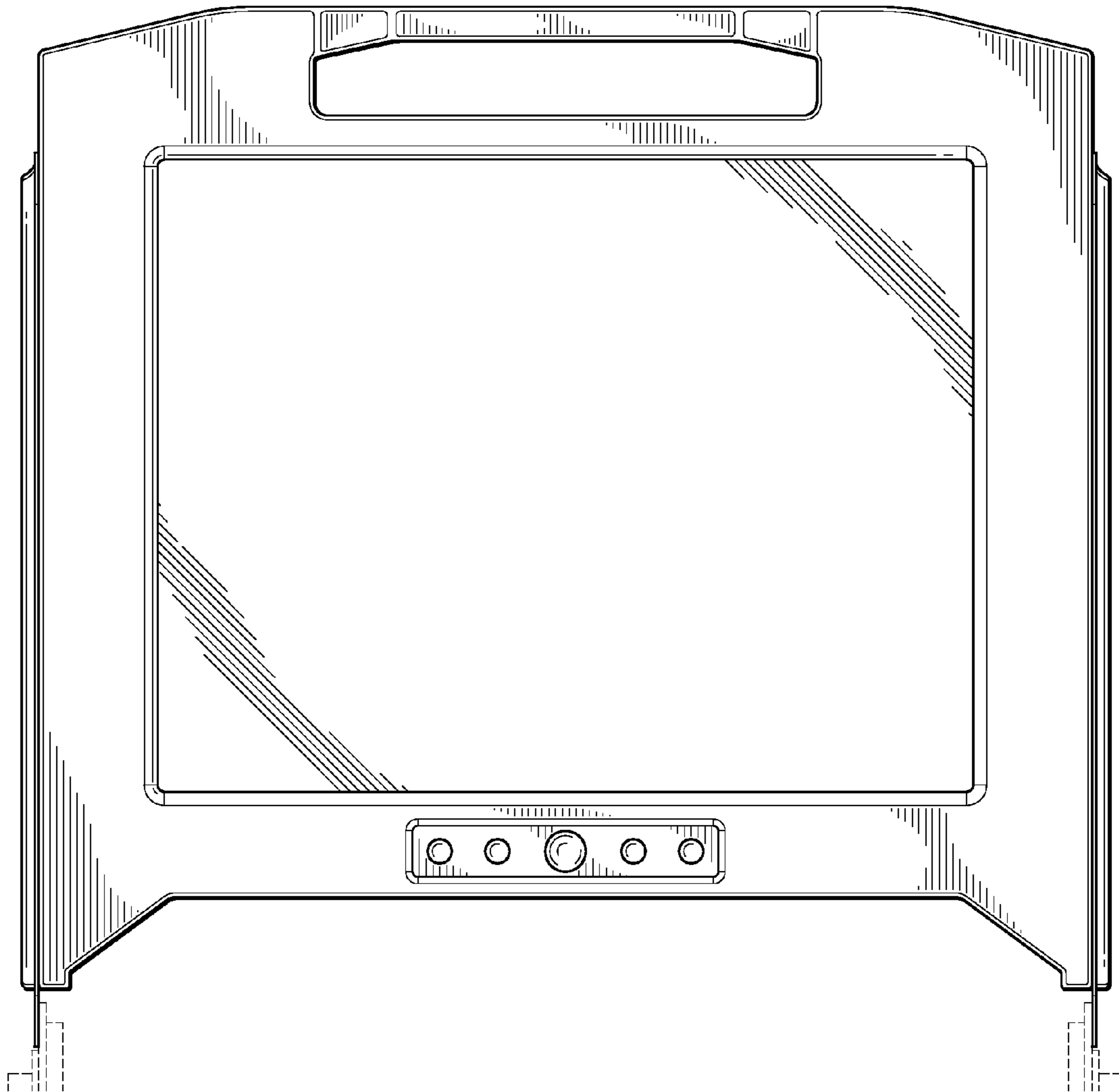


FIG. 4

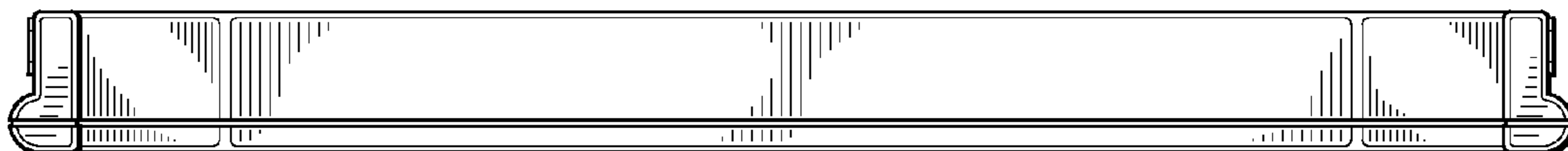




FIG. 5

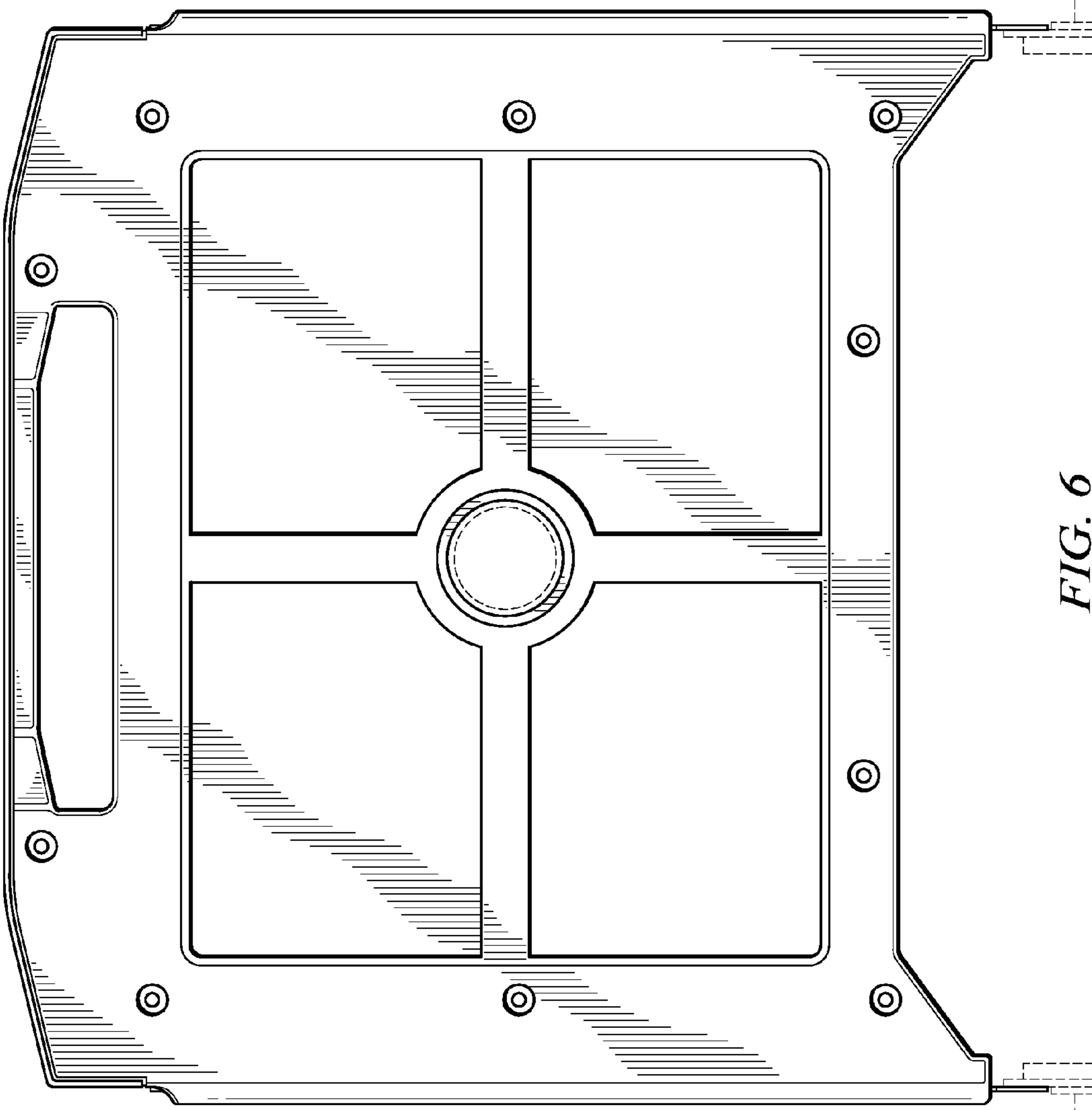


FIG. 6

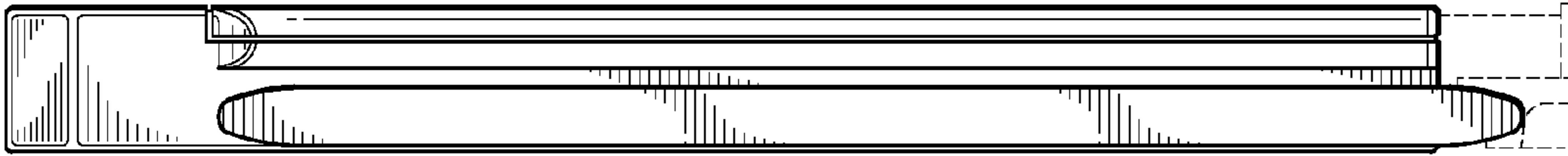


FIG. 7