



US00D589955S

(12) **United States Design Patent**  
**Shi et al.**

(10) **Patent No.:** **US D589,955 S**

(45) **Date of Patent:** **\*\* Apr. 7, 2009**

(54) **PORTABLE ELECTRONIC DEVICE**

(75) Inventors: **Zheng Shi**, Shenzhen (CN);  
**Chih-Chiang Chang**, Taipei Hsien (TW)

(73) Assignees: **Shenzhen Futaihong Precision Industry Co., Ltd.**, ShenZhen, Guangdong Province (CN); **Sutech Trading Limited**, Tortola (VG)

(\*\*) Term: **14 Years**

(21) Appl. No.: **29/280,192**

(22) Filed: **May 21, 2007**

(30) **Foreign Application Priority Data**

Apr. 6, 2007 (CN) ..... 2007 3 0132519

(51) **LOC (9) Cl.** ..... **14-02**

(52) **U.S. Cl.** ..... **D14/346; D14/138 AA**

(58) **Field of Classification Search** ..... D14/346, D14/341, 342, 343, 344, 345, 347, 439, 137, D14/138, 374, 248, 496, 125, 129; 345/169, 345/173; 379/433.04, 433.06, 433.07, 433.11, 379/433.12, 433.13; 348/14.02; 455/556.1, 455/556.2, 566, 575.1, 575.3, 575.4, 90.3; 341/22; D13/168; D18/6, 7; D21/329, 331; D16/242, 243, 200; D3/215, 218

See application file for complete search history.

(56) **References Cited**

**U.S. PATENT DOCUMENTS**

5,752,203 A \* 5/1998 Yamashita ..... 455/575.1  
6,453,155 B1 \* 9/2002 Hill et al. .... 455/90.1  
D478,883 S \* 8/2003 Jensfelt et al. .... D14/138  
6,763,249 B2 \* 7/2004 Shirai ..... 455/558  
D543,190 S \* 5/2007 Huang et al. .... D14/138  
D543,191 S \* 5/2007 Kim et al. .... D14/138  
D545,800 S \* 7/2007 Ou et al. .... D14/138  
7,277,115 B2 \* 10/2007 Makinouchi et al. .... 348/14.01  
D558,166 S \* 12/2007 Black ..... D14/138

D563,379 S \* 3/2008 Mai et al. .... D14/138  
2002/0086714 A1 \* 7/2002 Wang ..... 455/567  
2007/0131777 A1 \* 6/2007 Yang et al. .... 235/486  
2007/0171603 A1 \* 7/2007 Yang et al. .... 361/679

**FOREIGN PATENT DOCUMENTS**

JP 1260404 12/2005

\* cited by examiner

*Primary Examiner*—Cathron C Brooks

*Assistant Examiner*—Angela J Lee

(74) *Attorney, Agent, or Firm*—Frank R. Niranjana

(57) **CLAIM**

The ornamental design for a portable electronic device, as shown and described.

**DESCRIPTION**

FIG. 1 is a perspective view of a portable electronic device showing our new design;

FIG. 2 is a front elevational view thereof;

FIG. 3 is a rear elevational view thereof;

FIG. 4 is a left side elevational view thereof;

FIG. 5 is a right side elevational view thereof;

FIG. 6 is a top plan view thereof;

FIG. 7 is a bottom plan view thereof;

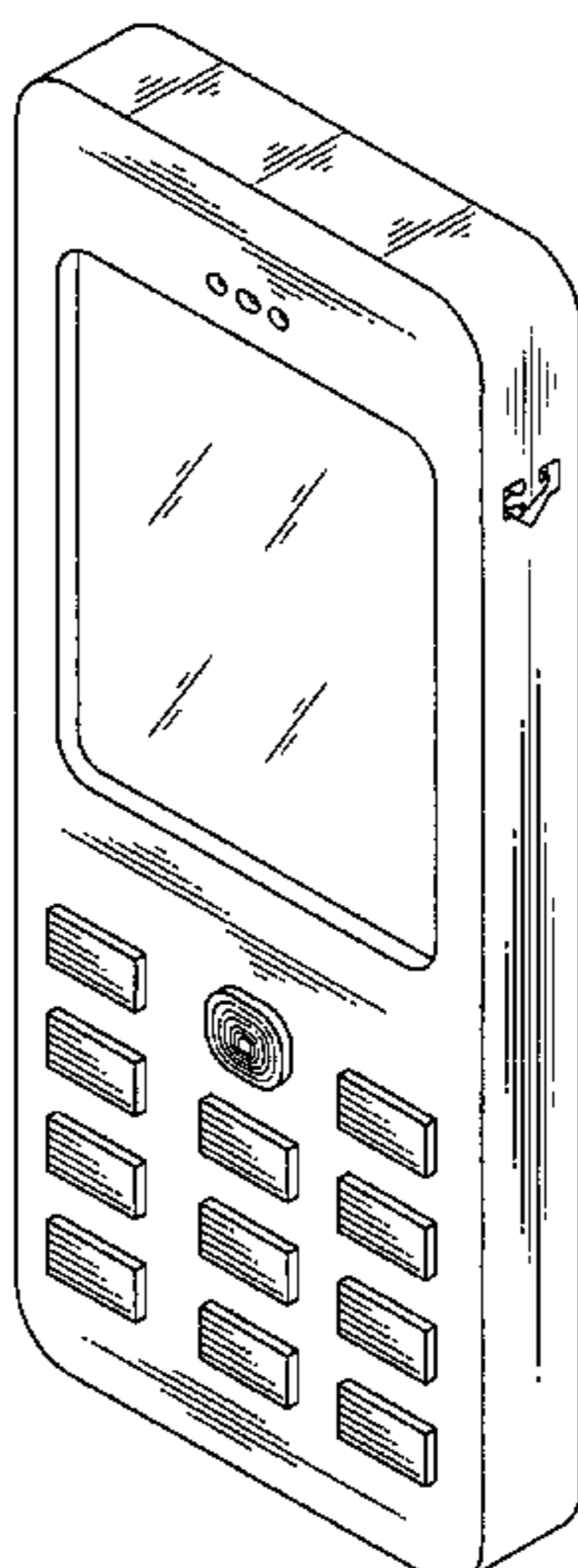
FIG. 8 is another perspective view of the portable electronic device in use;

FIG. 9 is an enlarged view of the area X in FIG. 5; and,

FIG. 10 is an enlarged view of the area XI of FIG. 8.

The broken line showing of a string in FIGS. 8 and 10 is included for the purpose of illustrating environment and forms no part of the claimed design. The broken lines showings of a linear feature through the opening in FIGS. 5 and 9 are included for the purpose of illustrating environment and forms no part of the claimed design.

**1 Claim, 10 Drawing Sheets**



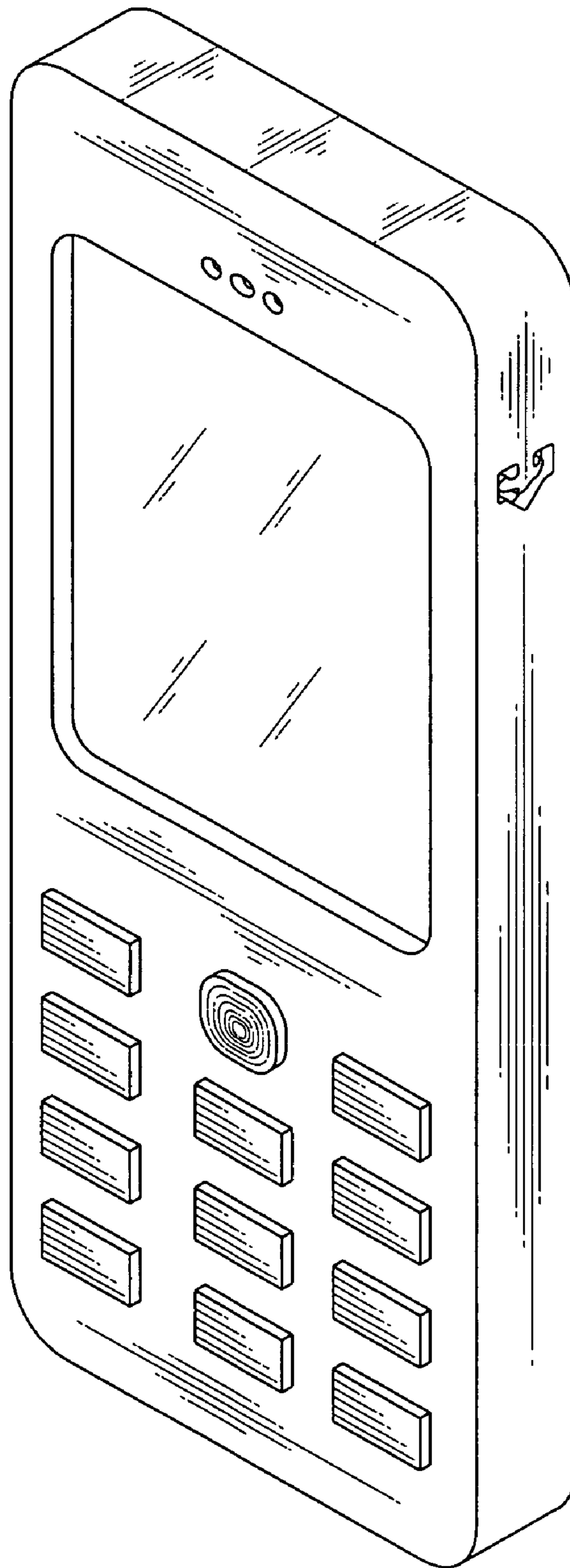


FIG. 1

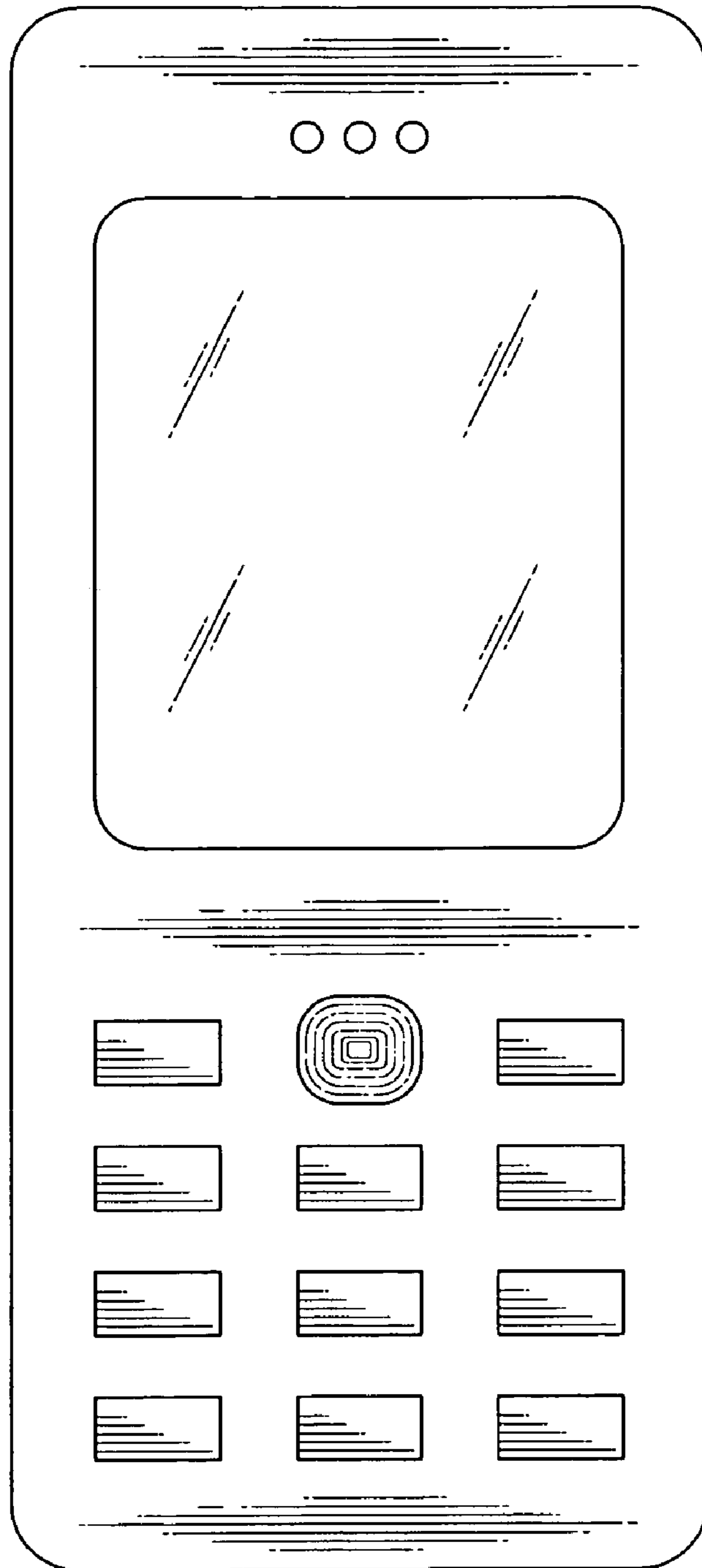


FIG. 2

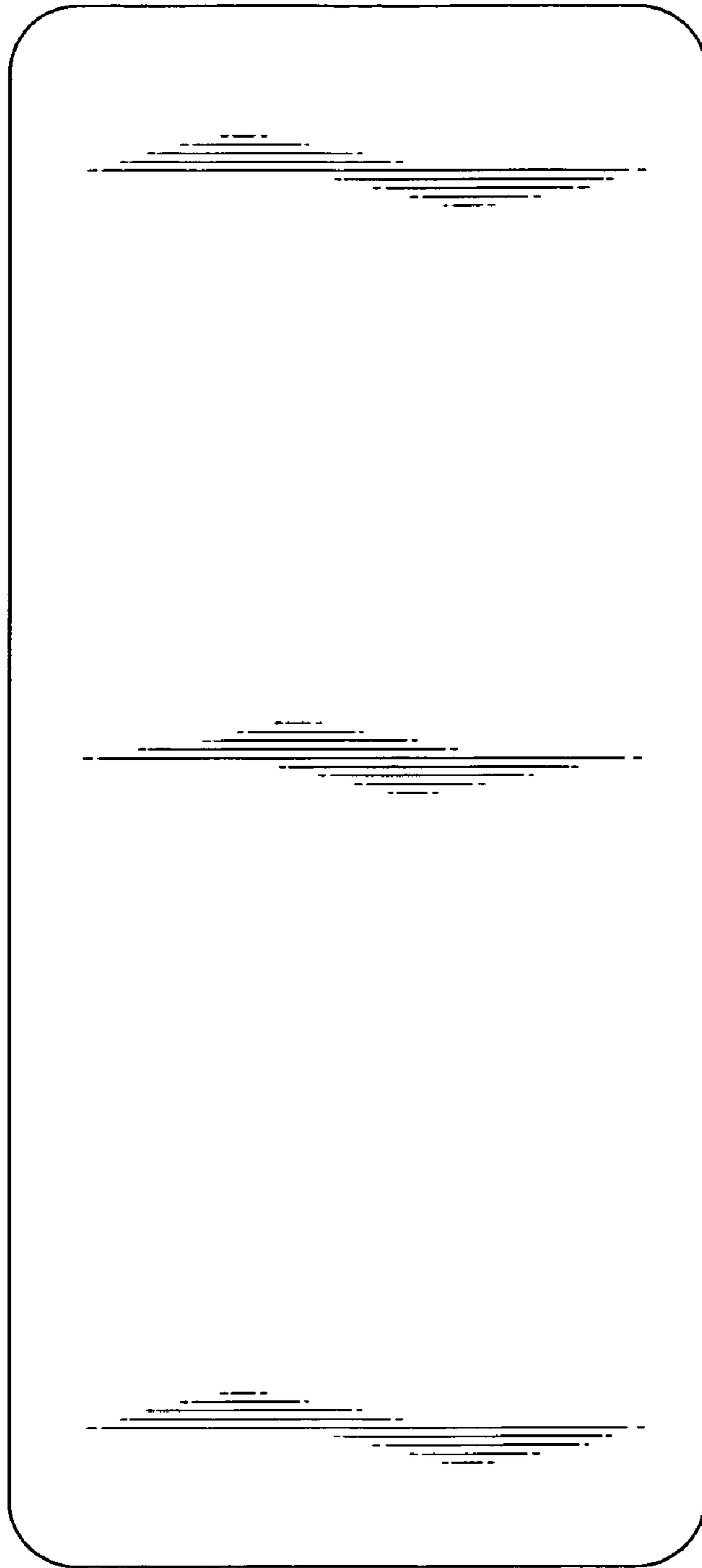


FIG. 3

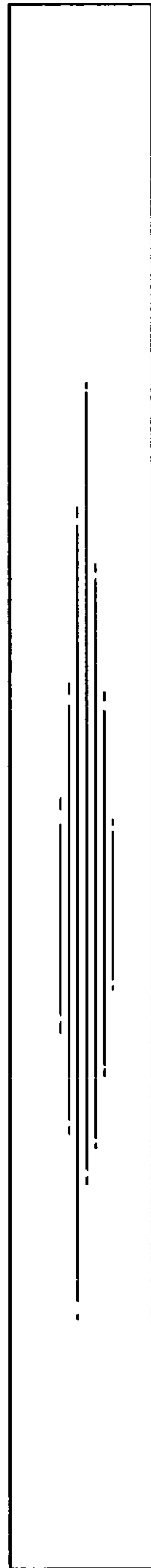


FIG. 4

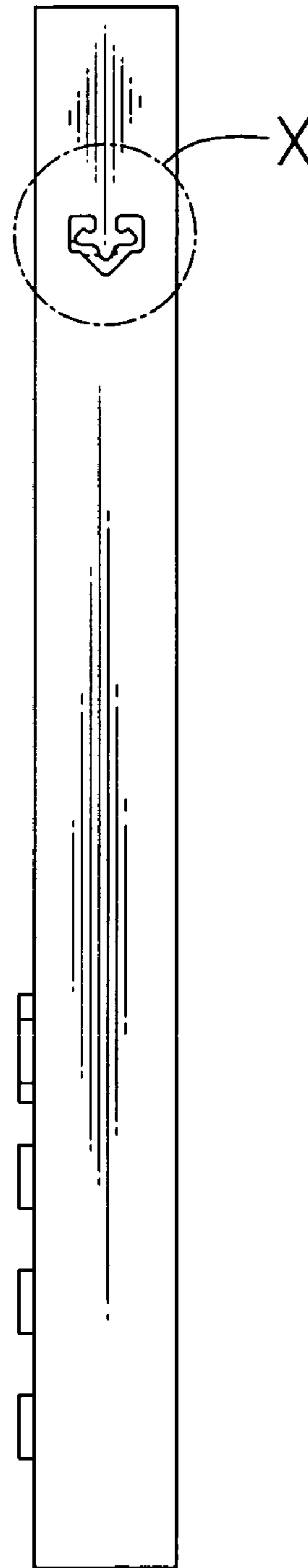


FIG. 5

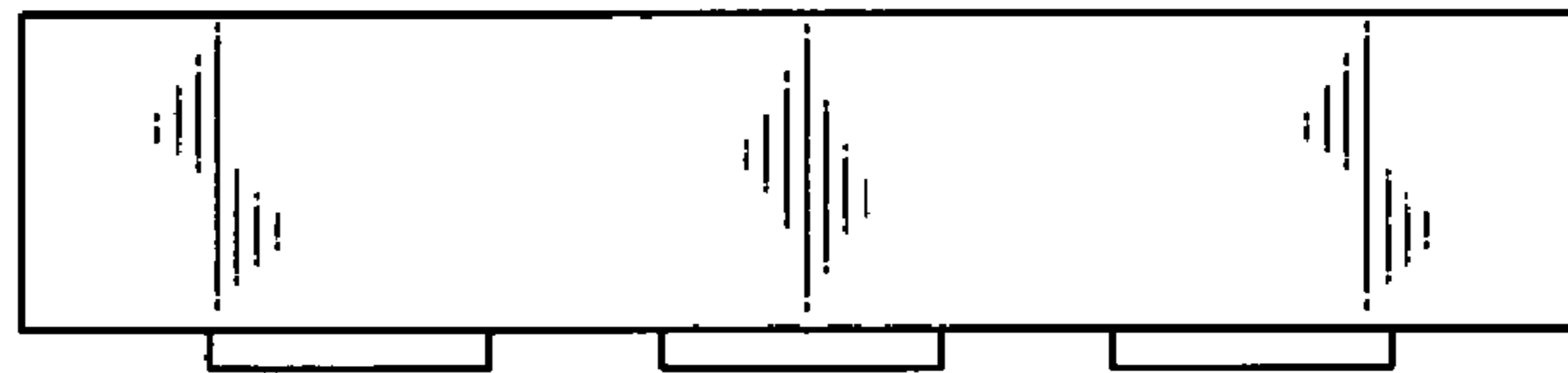


FIG. 6

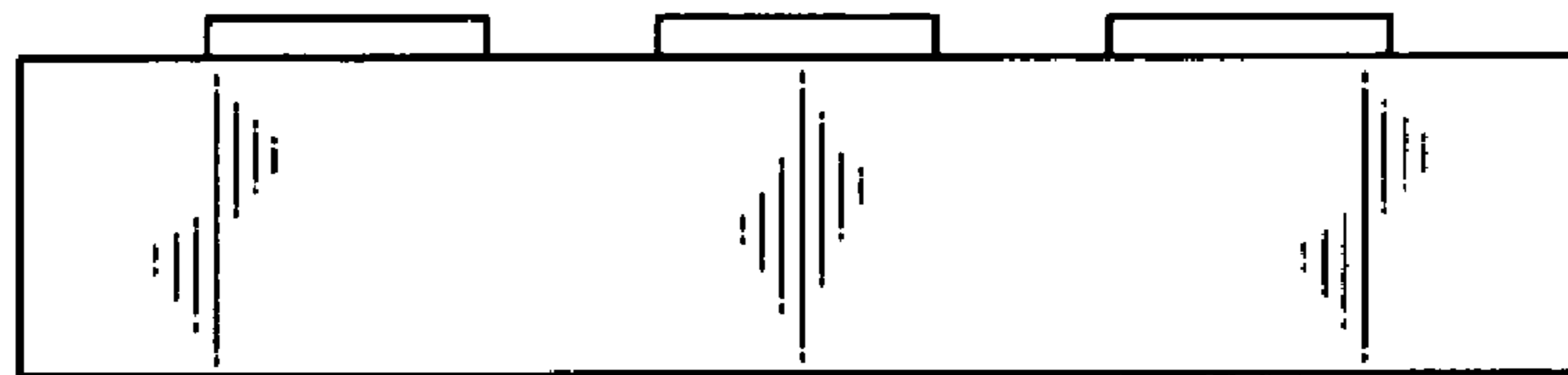


FIG. 7



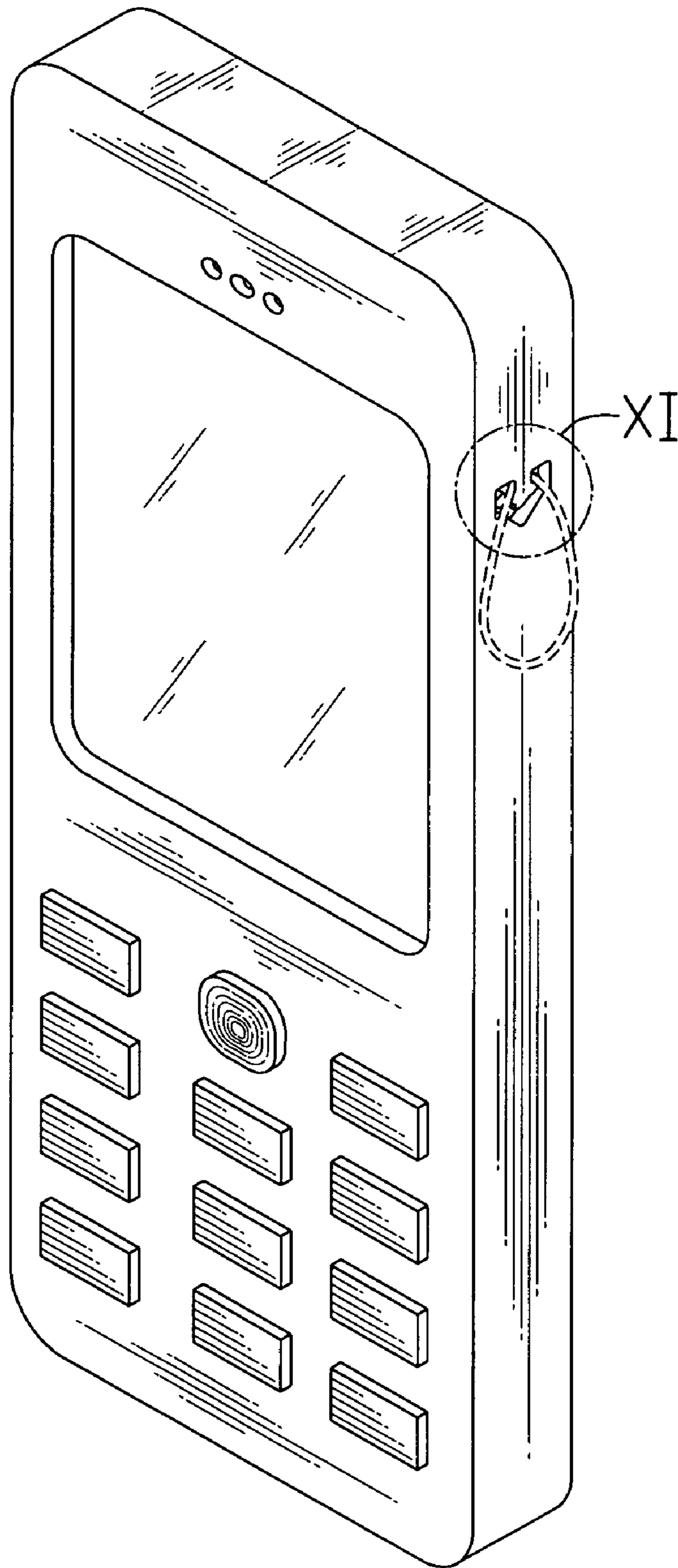


FIG. 8

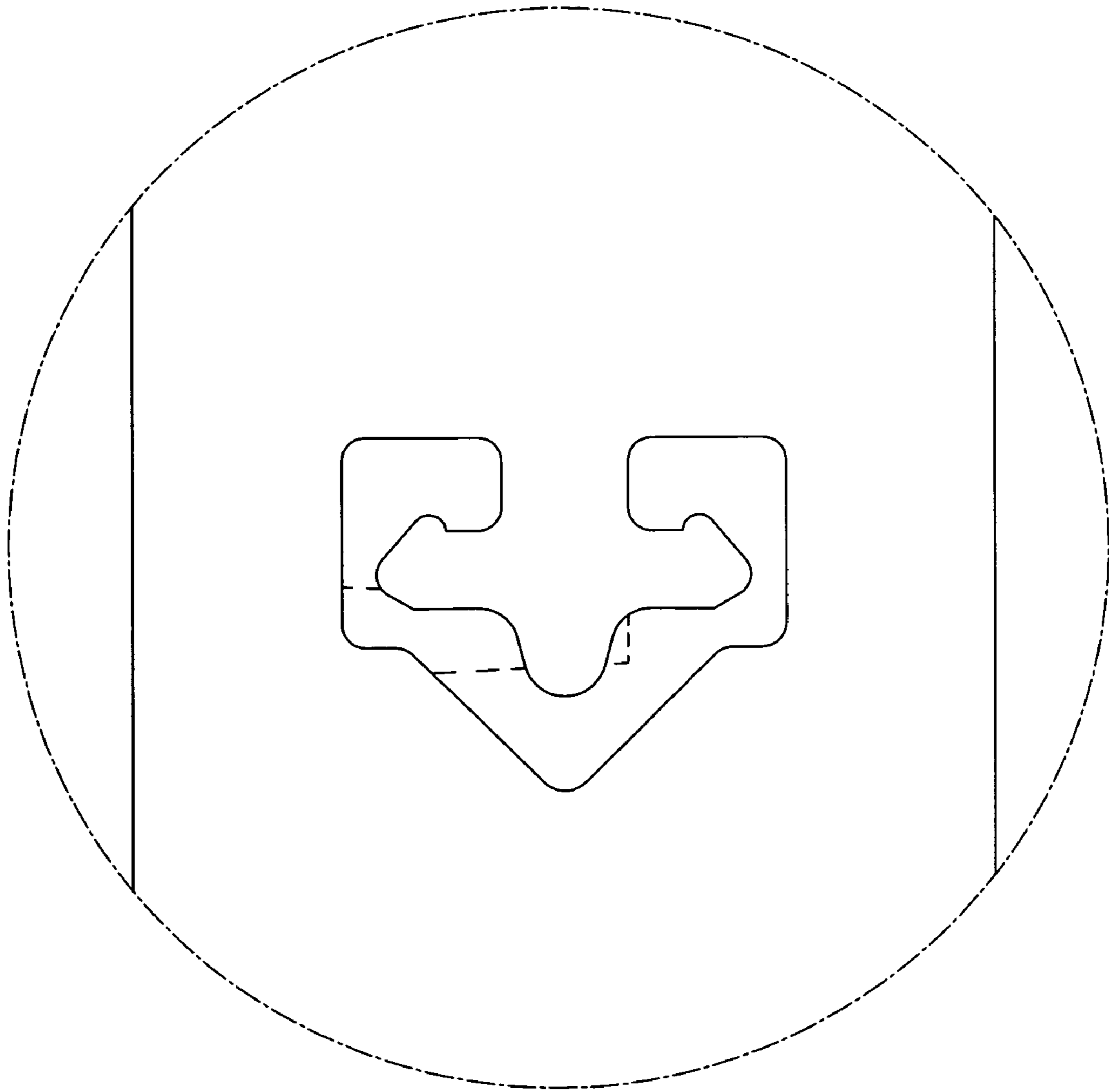


FIG. 9

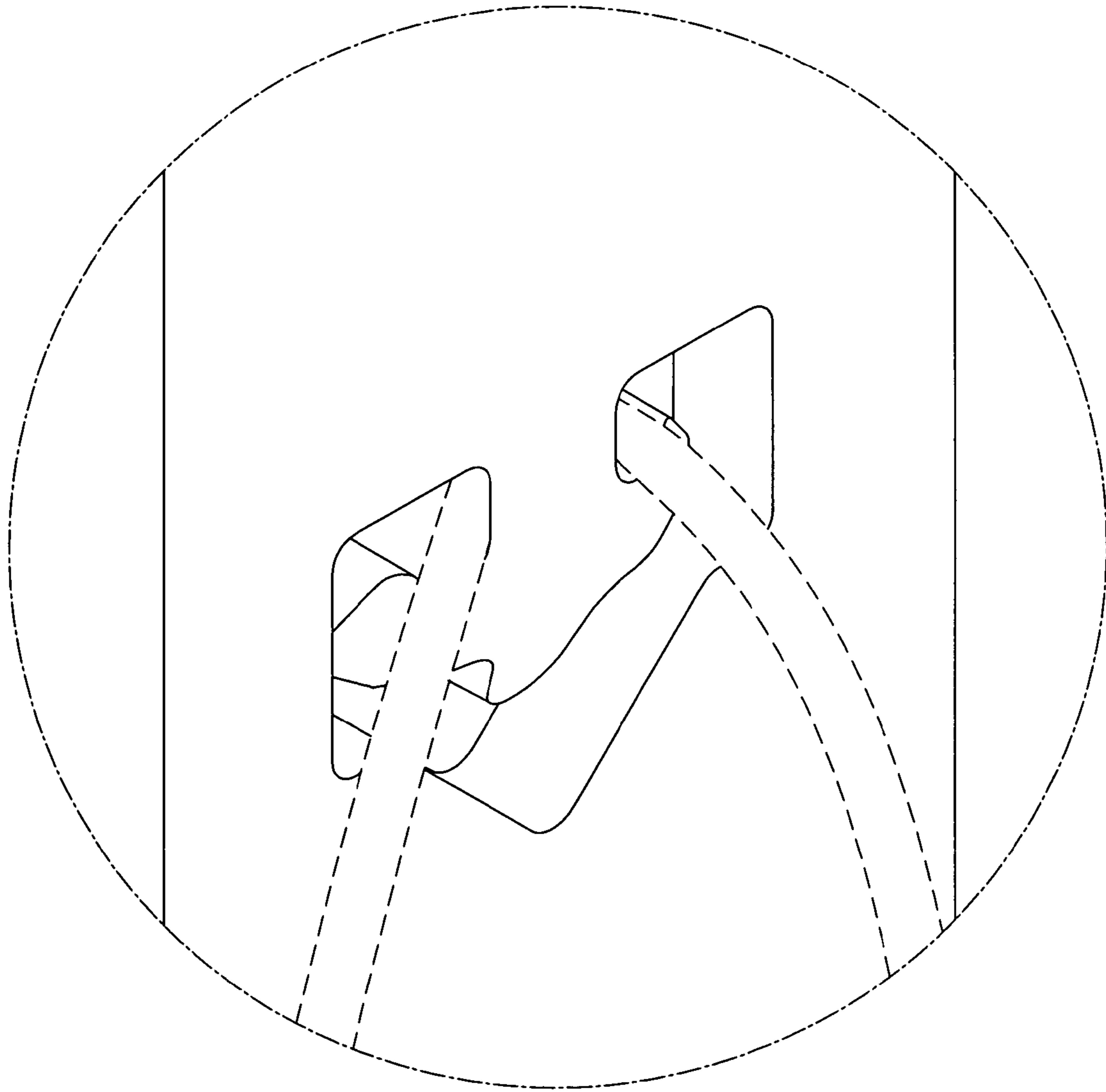


FIG. 10