



US00D589946S

(12) **United States Design Patent**
Yamamoto

(10) **Patent No.:** **US D589,946 S**
(45) **Date of Patent:** **** Apr. 7, 2009**

(54) **ANTENNA CHASSIS**

2005/0225489 A1* 10/2005 Aizawa et al. 343/713

(75) Inventor: **Tsugio Yamamoto**, Gunma (JP)

OTHER PUBLICATIONS

(73) Assignee: **Yokowo Co., Ltd.**, Tokyo (JP)

Catalogue for "Carrozzeria" lineup 95, vol. 3, Denpa newspaper 1995, 5, 10P15, p. 1, Jun. 30, 1995.

(**) Term: **14 Years**

* cited by examiner

(21) Appl. No.: **29/272,910**

Primary Examiner—T. Chase Nelson
Assistant Examiner—John Windmuller

(22) Filed: **Feb. 22, 2007**

(74) *Attorney, Agent, or Firm*—Morgan, Lewis & Bockius LLP

(30) **Foreign Application Priority Data**

Aug. 31, 2006 (JP) 2006-023242

(57) **CLAIM**

(51) **LOC (9) Cl.** **14-03**

The ornamental design for an antenna chassis, as shown and described.

(52) **U.S. Cl.** **D14/230**

(58) **Field of Classification Search** D14/230–238,
D14/299; 343/700 R, 840, 841, 908; 455/3.02,
455/FOR. 215, 575.2

DESCRIPTION

See application file for complete search history.

FIG. 1 is a perspective view of the front, right and top of an antenna chassis showing my new design;

FIG. 2 is a front view thereof;

FIG. 3 is a right side view thereof;

FIG. 4 is a left side view thereof;

FIG. 5 is a top plan view thereof; and,

FIG. 6 is a bottom view thereof.

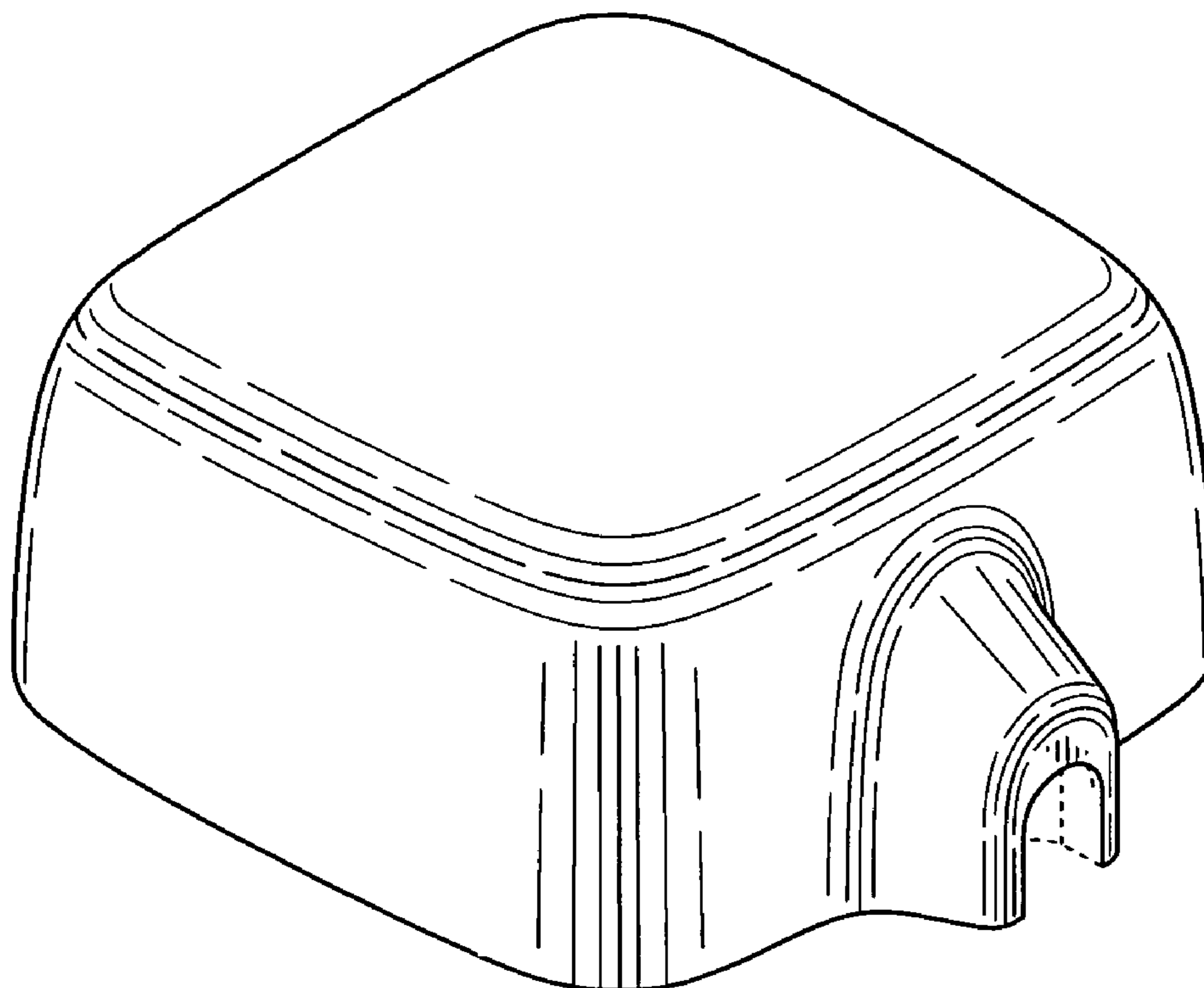
In the drawings, the broken lines depict environmental subject matter only and form no part of the claimed design.

(56) **References Cited**

U.S. PATENT DOCUMENTS

D427,182 S *	6/2000	Andrew et al.	D14/230
D480,712 S *	10/2003	Noro	D14/230
D482,350 S *	11/2003	Noro et al.	D14/230
D493,447 S *	7/2004	Noro et al.	D14/230
7,084,821 B2 *	8/2006	Noro et al.	343/713
7,106,272 B2 *	9/2006	Noro et al.	343/872
D550,660 S *	9/2007	Noro et al.	D14/230

1 Claim, 3 Drawing Sheets



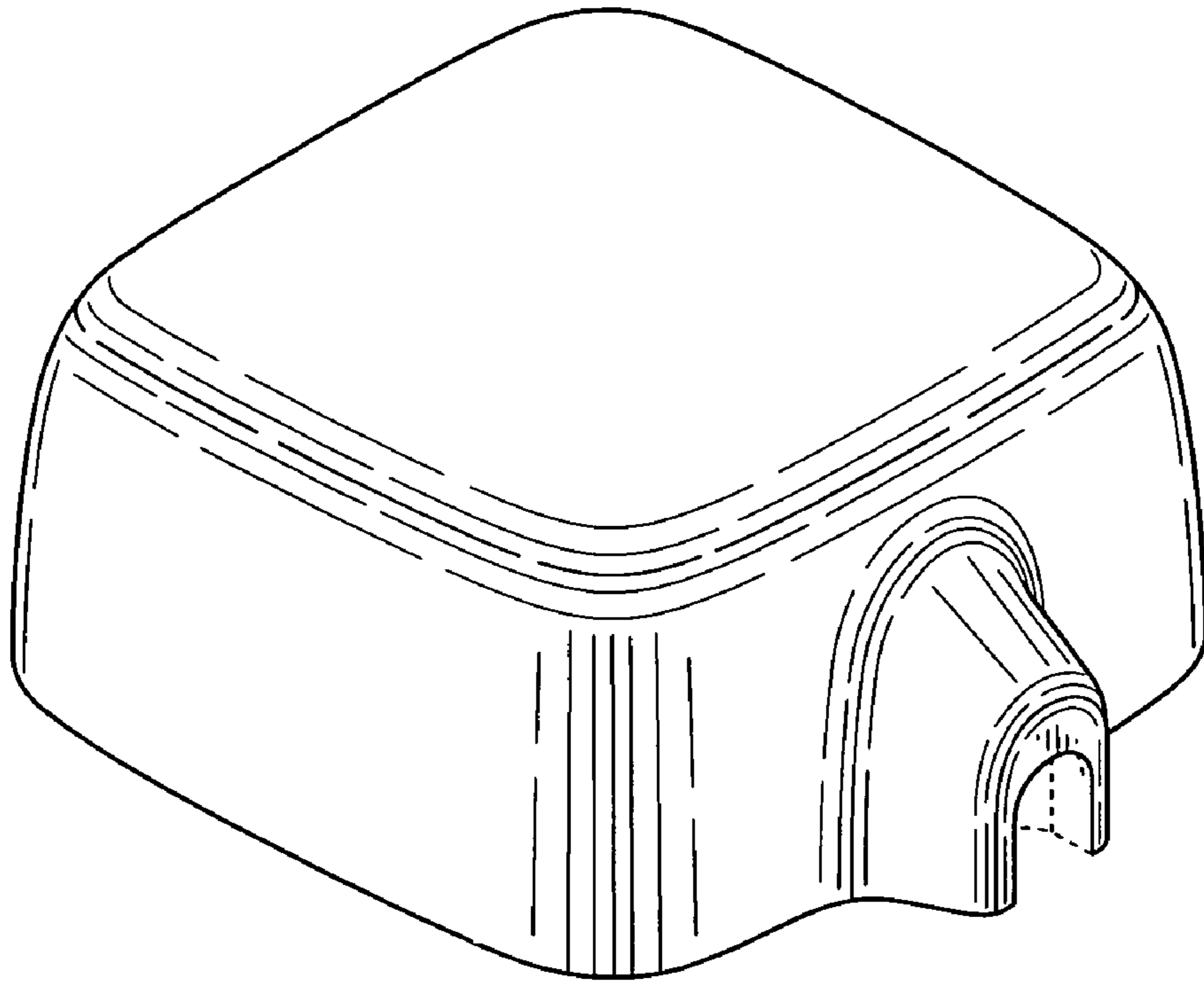


FIG. 1

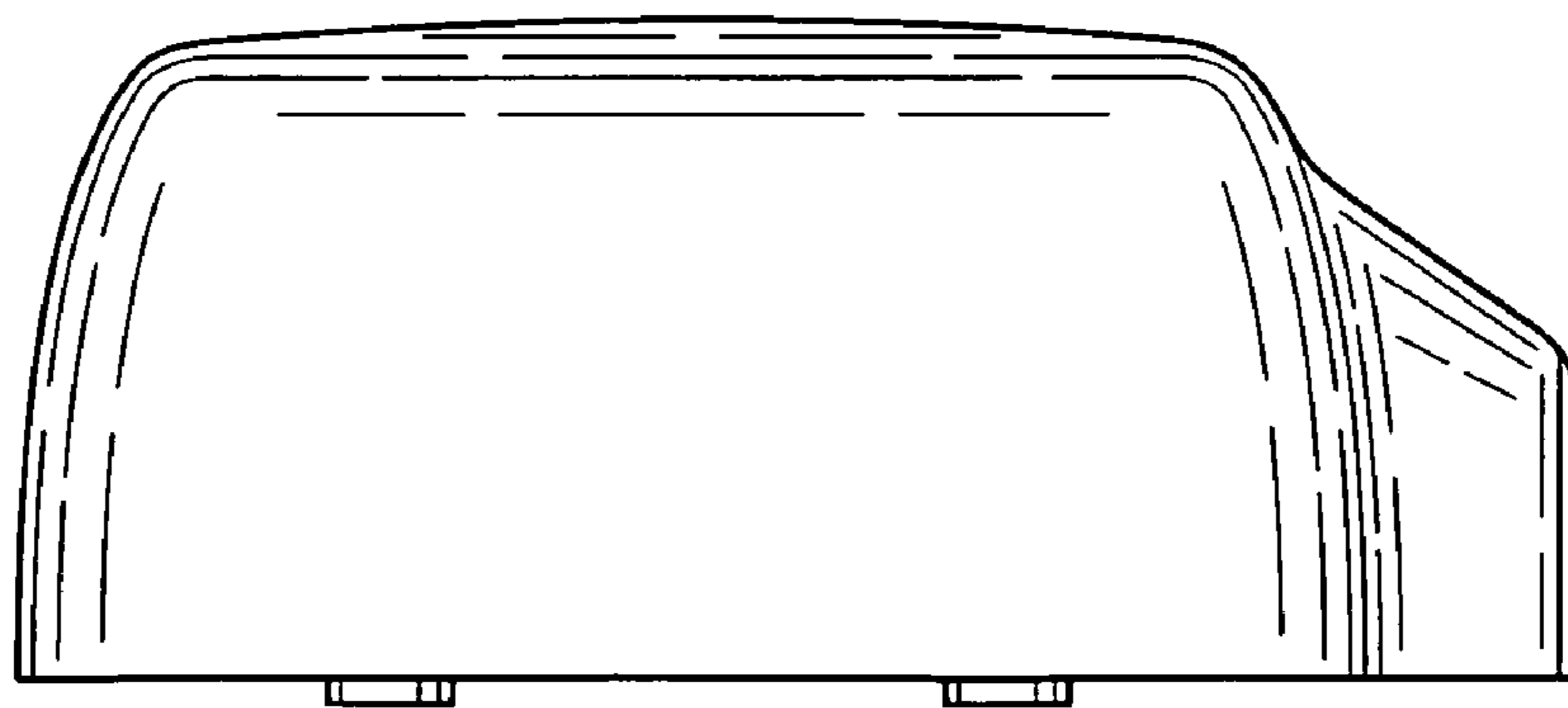


FIG. 2

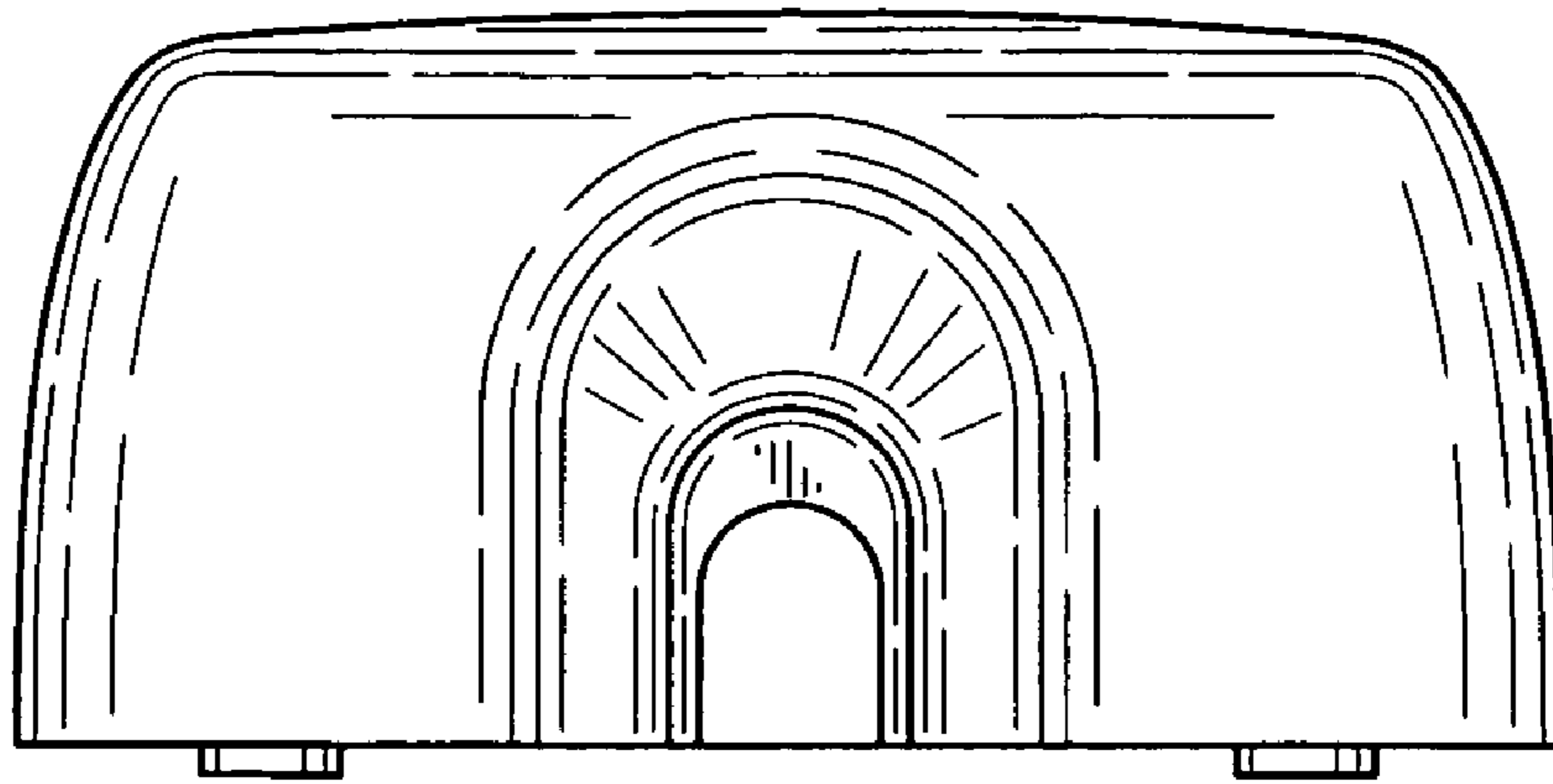


FIG. 3

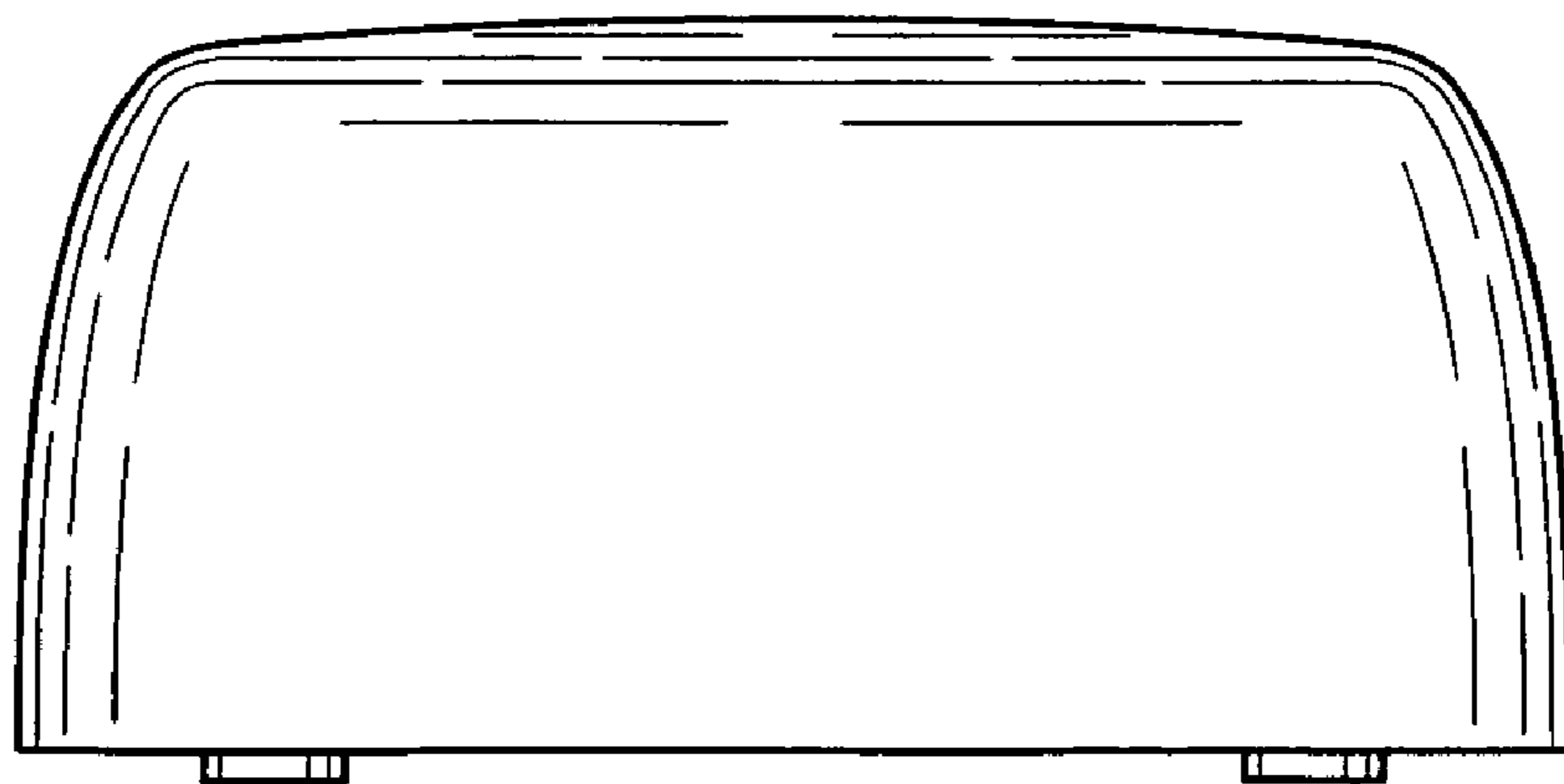


FIG. 4

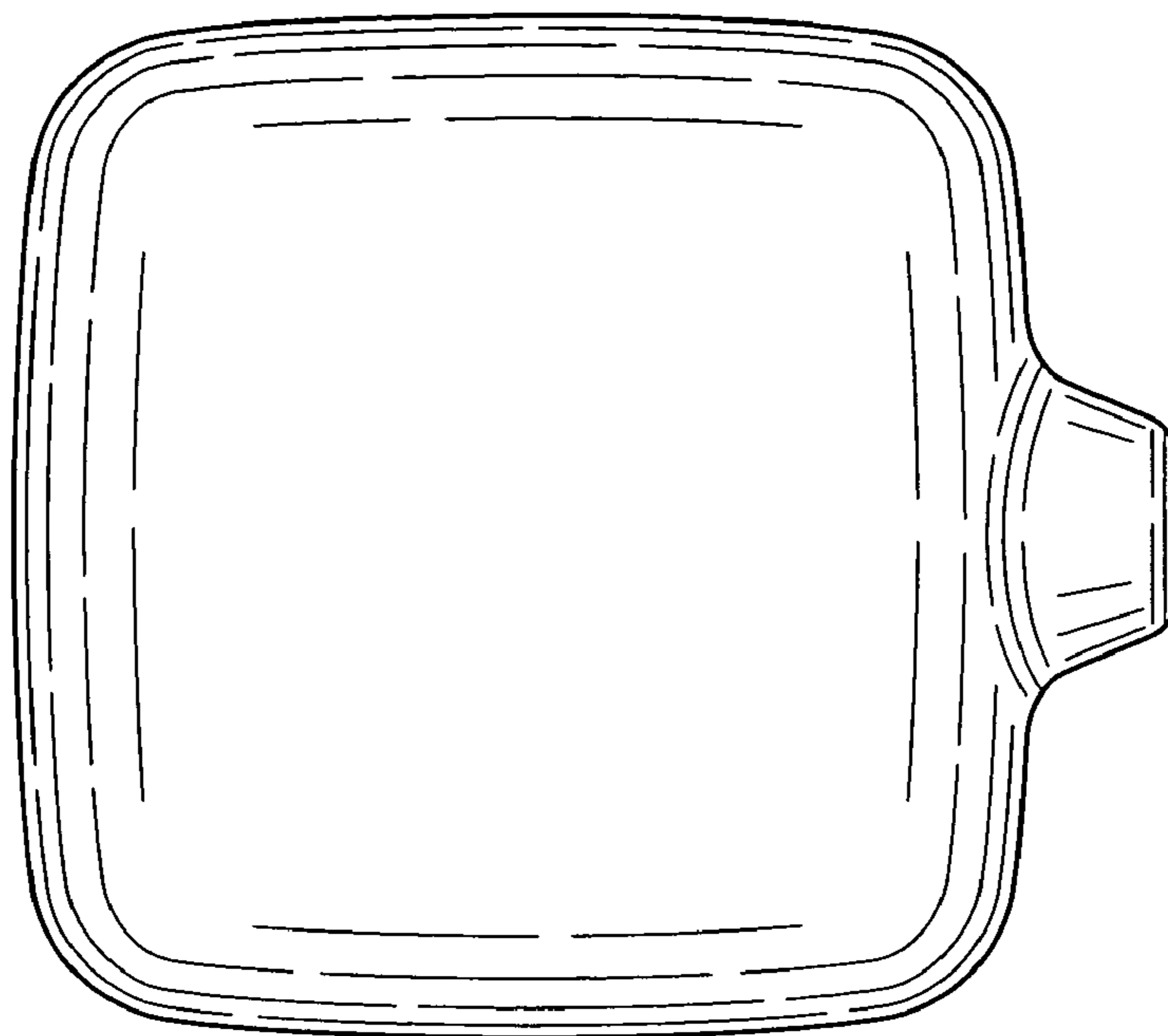


FIG. 5

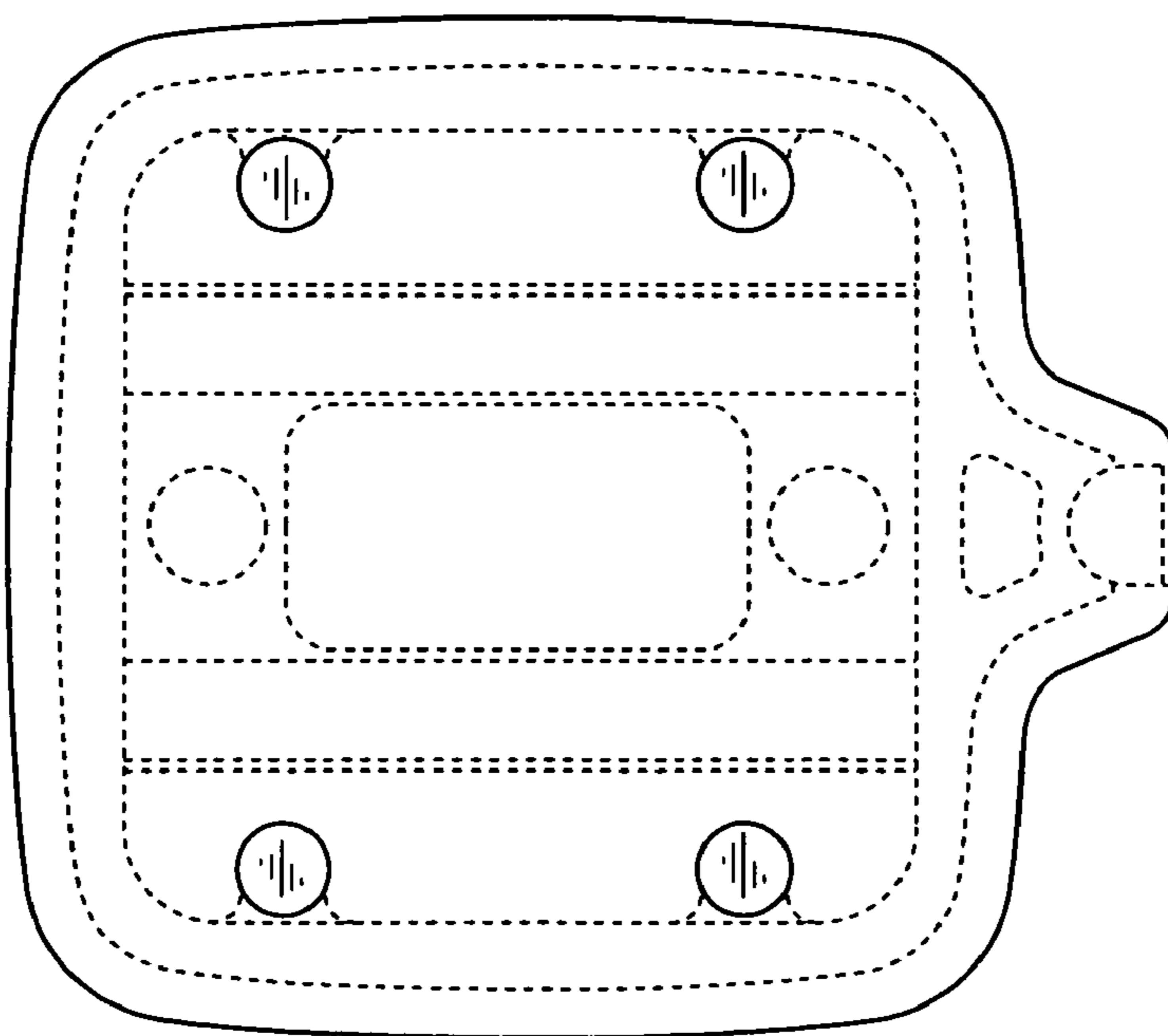


FIG. 6