



US00D589944S

(12) **United States Design Patent**
Zeiss et al.

(10) **Patent No.:** **US D589,944 S**
(45) **Date of Patent:** **** Apr. 7, 2009**

(54) **JEWELRY ATTACHMENT MEMBER**

(76) Inventors: **Allison Lee Zeiss**, 145 W. 58 St., Apt. 2B, New York, NY (US) 10019; **Scott Martin**, 300 E. 57 St., Apt. 12H, New York, NY (US) 10022

(**) Term: **14 Years**

(21) Appl. No.: **29/283,690**

(22) Filed: **Aug. 21, 2007**

(51) **LOC (9) Cl.** **14-01**

(52) **U.S. Cl.** **D14/223**

(58) **Field of Classification Search** D14/217, D14/449, 450, 229, 250, 251, 252; D8/373, D8/DIG. 4, 34, 14, 16; D6/417; D20/27, D20/43; D11/183; 211/70.5; D19/54, 55, D19/56, 58; 248/317, 74.1, 74.2, 229.26; 24/339

See application file for complete search history.

(56) **References Cited**

U.S. PATENT DOCUMENTS

388,519 A 8/1888 Ahlquist 84/322

(Continued)

FOREIGN PATENT DOCUMENTS

EP 000883707-0001 2/2008

EP 000883707-0002 2/2008

OTHER PUBLICATIONS

U.S. Appl. No. 29/306,094, filed Apr. 4, 2008.

Primary Examiner—Paula Greene

(74) *Attorney, Agent, or Firm*—Lackebach Siegel, LLP

(57) **CLAIM**

The ornamental design for a jewelry attachment member, as shown and described.

DESCRIPTION

FIG. 1 is a front perspective view of a jewelry attachment member showing our new design.

FIG. 2 is a front perspective view of the embodiment shown in FIG. 1.

FIG. 3 is a front plan view of the embodiment shown in FIG. 1.

FIG. 4 is a back plan view of the embodiment shown in FIG. 1.

FIG. 5 is a right hand side plan view of the embodiment in FIG. 1, the left hand side being a mirror image.

FIG. 6 is a top plan view of the embodiment in FIG. 1.

FIG. 7 is a bottom plan view of the embodiment in FIG. 1.

FIG. 8 is a front perspective view of a second embodiment of a jewelry attachment member showing our new design.

FIG. 9 is a front perspective view of the embodiment shown in FIG. 8.

FIG. 10 is a front plan view of the embodiment shown in FIG. 8.

FIG. 11 is a back plan view of the embodiment shown in FIG. 8.

FIG. 12 is a right hand side plan view of the embodiment in FIG. 8, the left hand side being a mirror image.

FIG. 13 is a top plan view of the embodiment in FIG. 8.

FIG. 14 is a bottom plan view of the embodiment in FIG. 8.

FIG. 15 is a front perspective view of a third embodiment of a jewelry attachment member showing our new design.

FIG. 16 is a front perspective view thereof.

FIG. 17 is a front plan view thereof.

FIG. 18 is a back plan view thereof.

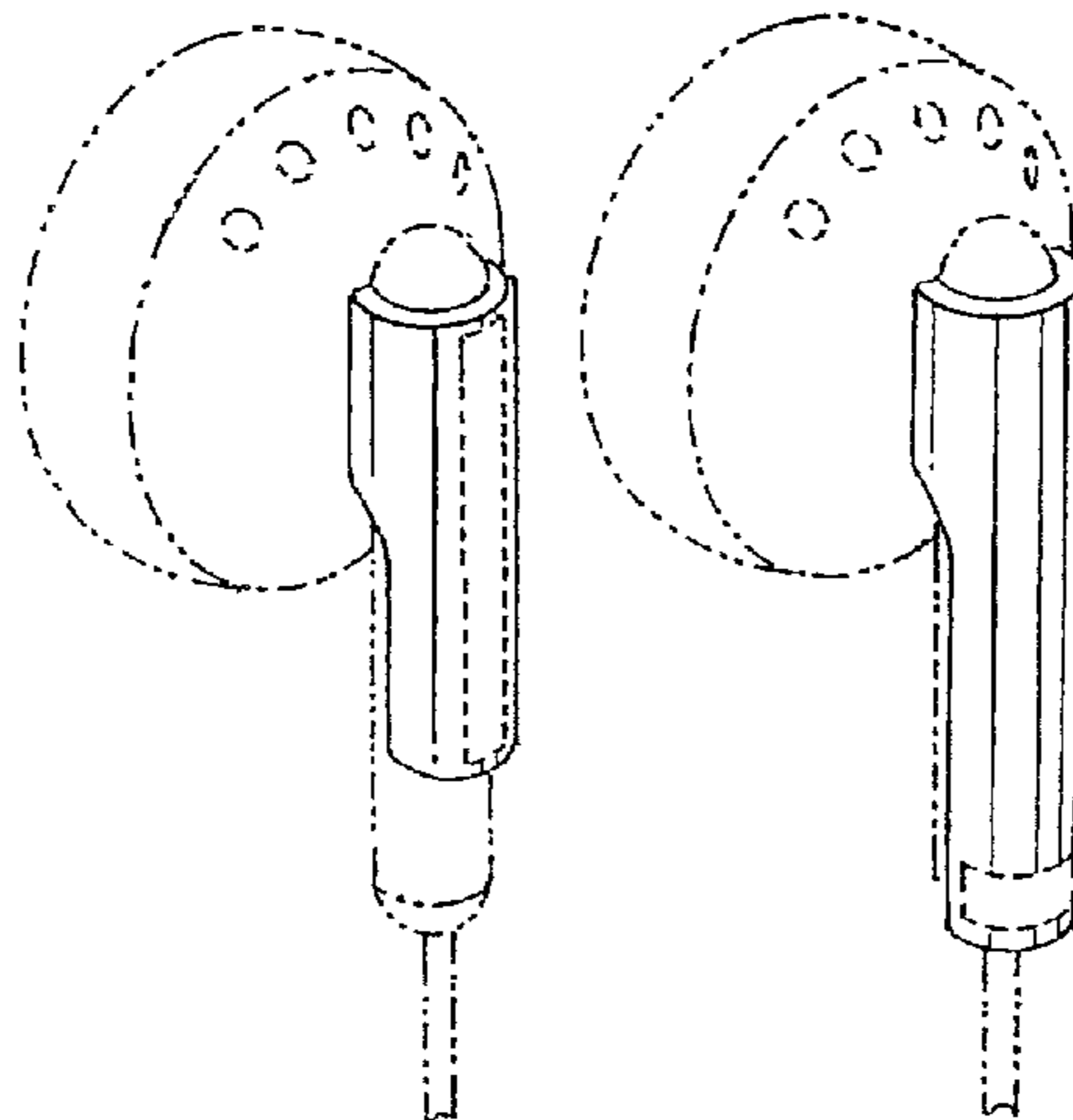
FIG. 19 is a right hand side view thereof, the left hand side is a mirror image.

FIG. 20 is a top plan view thereof; and,

FIG. 21 is a bottom plan view thereof.

The broken lines in FIGS. 1, 2, 3, 5, 8, 9, 10, 12, 15, 16, 17, and 19 form no part of the claimed design.

1 Claim, 3 Drawing Sheets



US D589,944 S

Page 2

U.S. PATENT DOCUMENTS

651,267 A	6/1900	Pickett	81/15.2	4,002,349 A *	1/1977	Dopp	280/814
884,256 A *	4/1908	Addie	248/229.26	D251,908 S *	5/1979	Fujita	D14/229
1,289,952 A	12/1918	Struble	132/73	D251,970 S *	5/1979	Fujita	D14/229
1,404,906 A	1/1922	Strahl	602/22	4,351,075 A	9/1982	Pittard, Jr.	7/138
1,421,657 A	7/1922	Allen	24/11 M	D297,702 S *	9/1988	Persson	D8/14
1,504,650 A	8/1924	Smith	29/280	4,997,148 A *	3/1991	Sherman	248/74.1
1,634,772 A	7/1927	Chrisman	24/11 M	D354,491 S *	1/1995	Ditch	D14/229
D121,336 S	7/1940	Kahn	D19/56	D357,278 S	4/1995	Turney	D19/56
2,503,683 A	4/1950	Perkins	81/3.55	5,642,557 A *	7/1997	Clews	24/339
D180,466 S *	6/1957	Bebee	D20/43	D436,008 S *	1/2001	Klein et al.	D8/34
D184,253 S *	1/1959	Denison	D19/56	D469,753 S	2/2003	Andre et al.	D14/205
D188,238 S *	6/1960	Blum	D8/373	D541,608 S	5/2007	Nichols et al.	D8/42
3,286,963 A *	11/1966	Bergman	248/74.2	D554,109 S *	10/2007	Ledbetter et al.	D14/223
3,861,701 A *	1/1975	Aring et al.	280/814	D568,291 S	5/2008	Andre et al.	D14/205

* cited by examiner

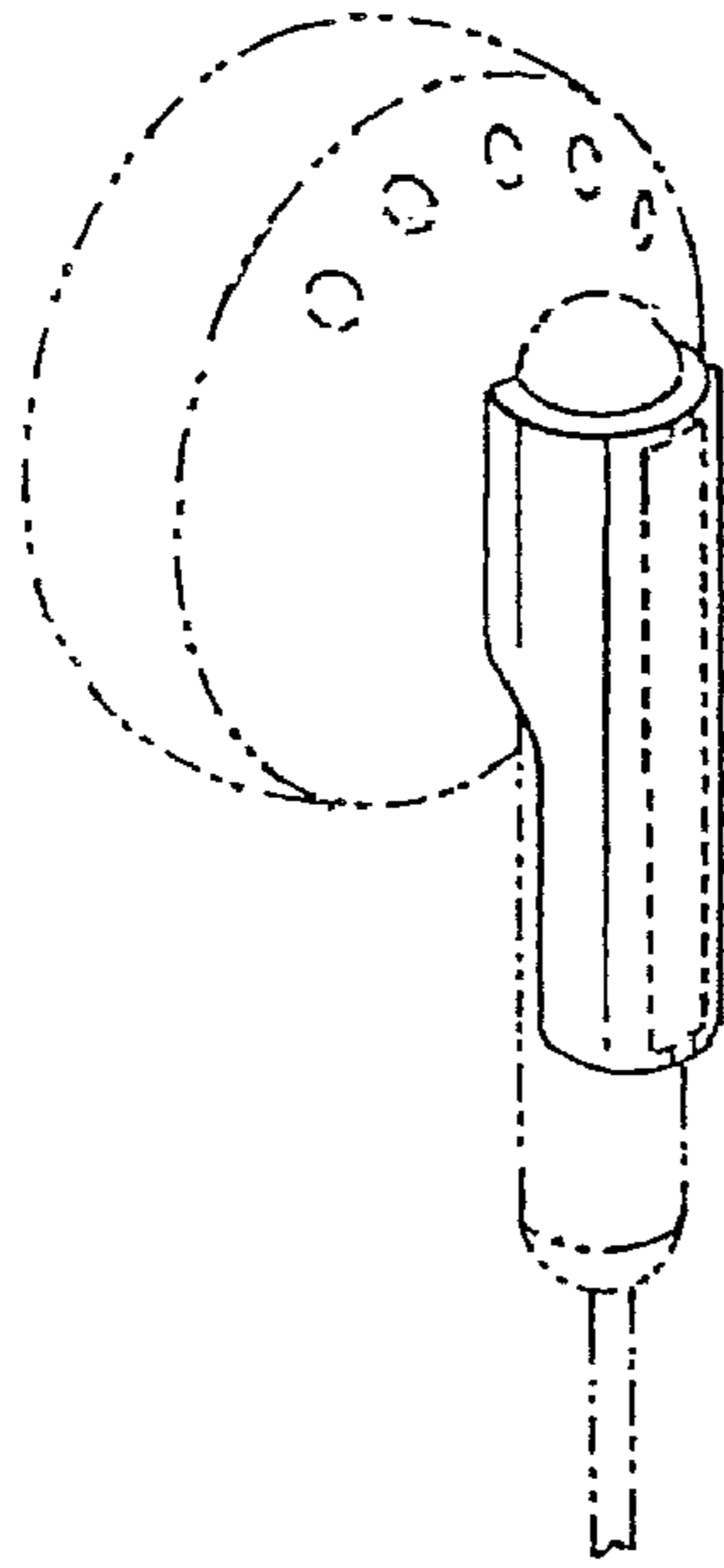


Fig. 1

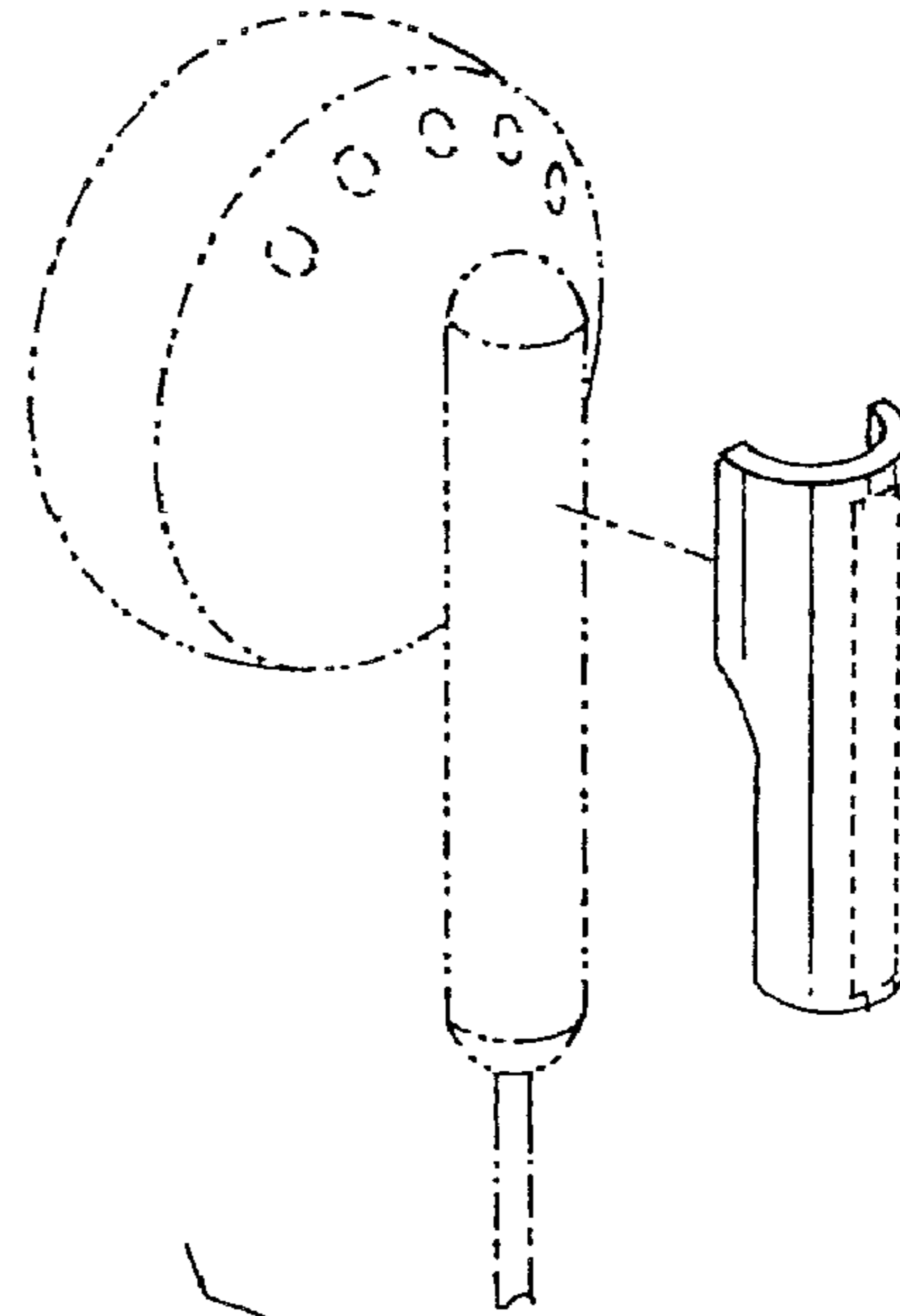


Fig. 2

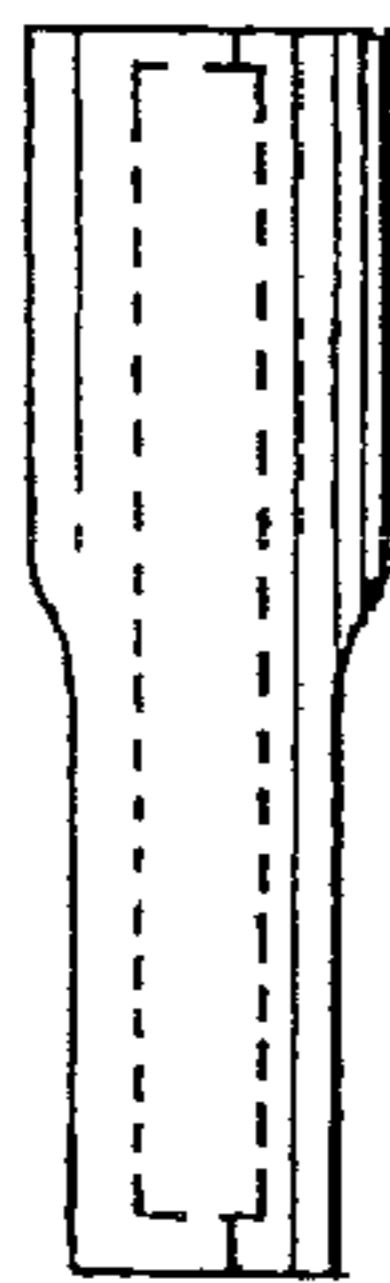


Fig. 3

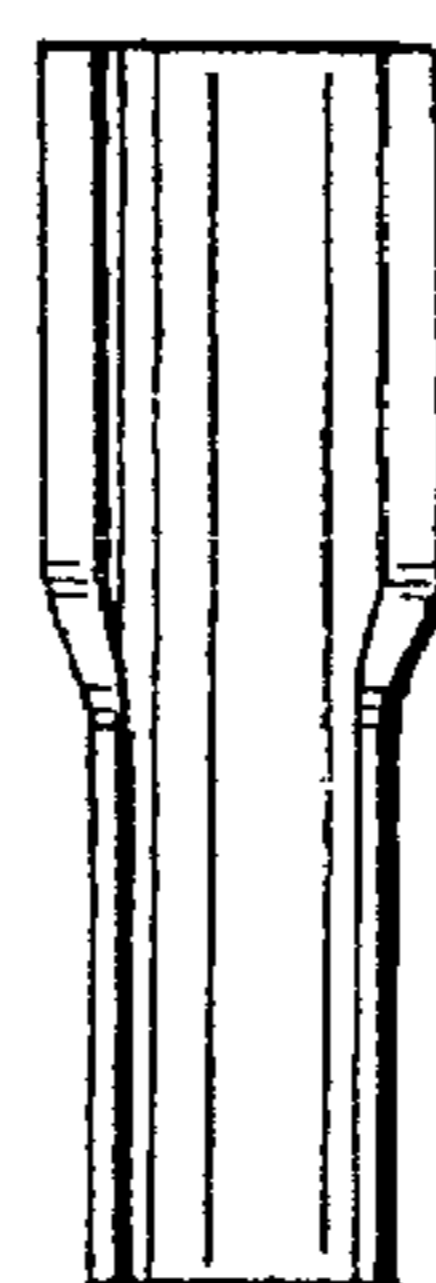


Fig. 4



Fig. 5



Fig. 6



Fig. 7

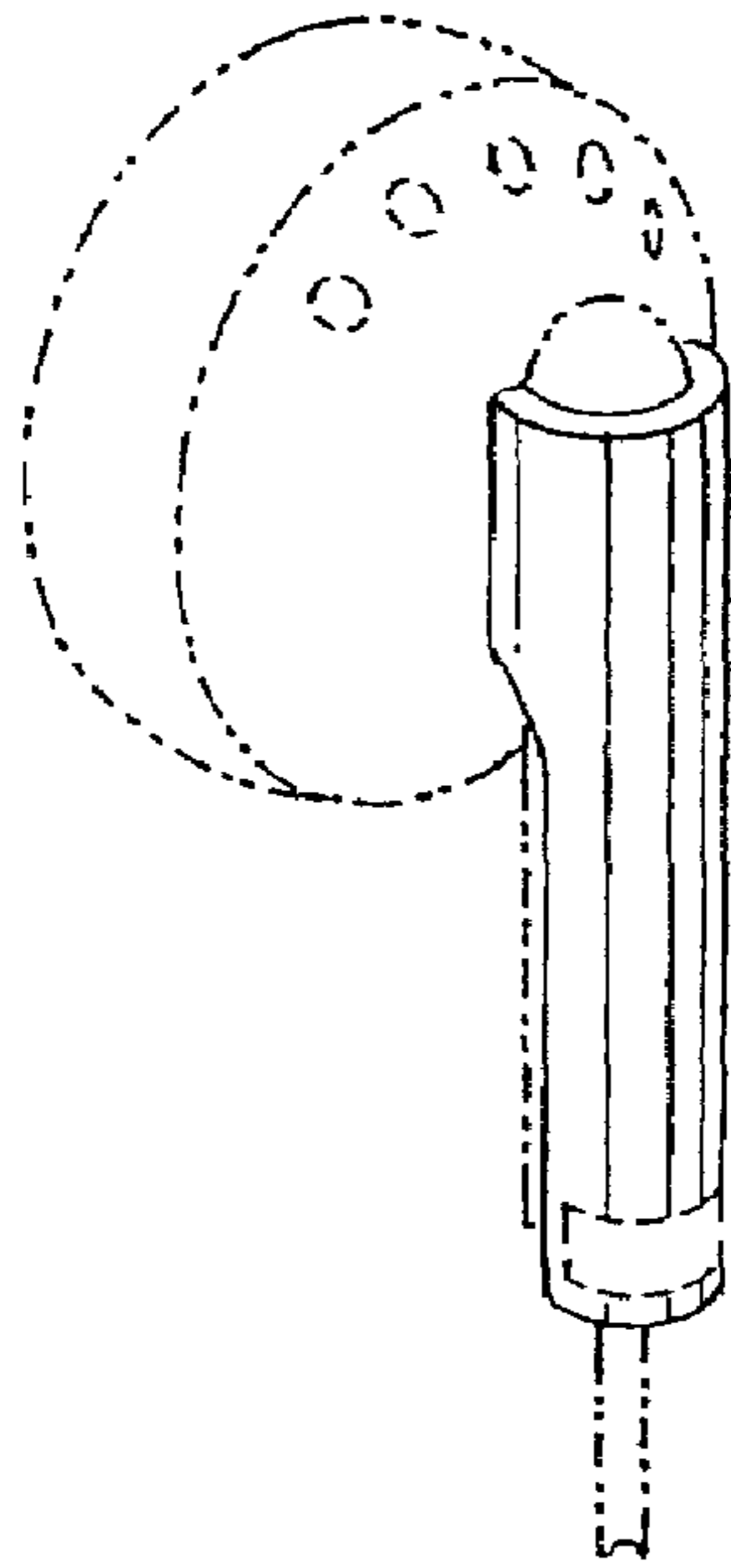


Fig. 8

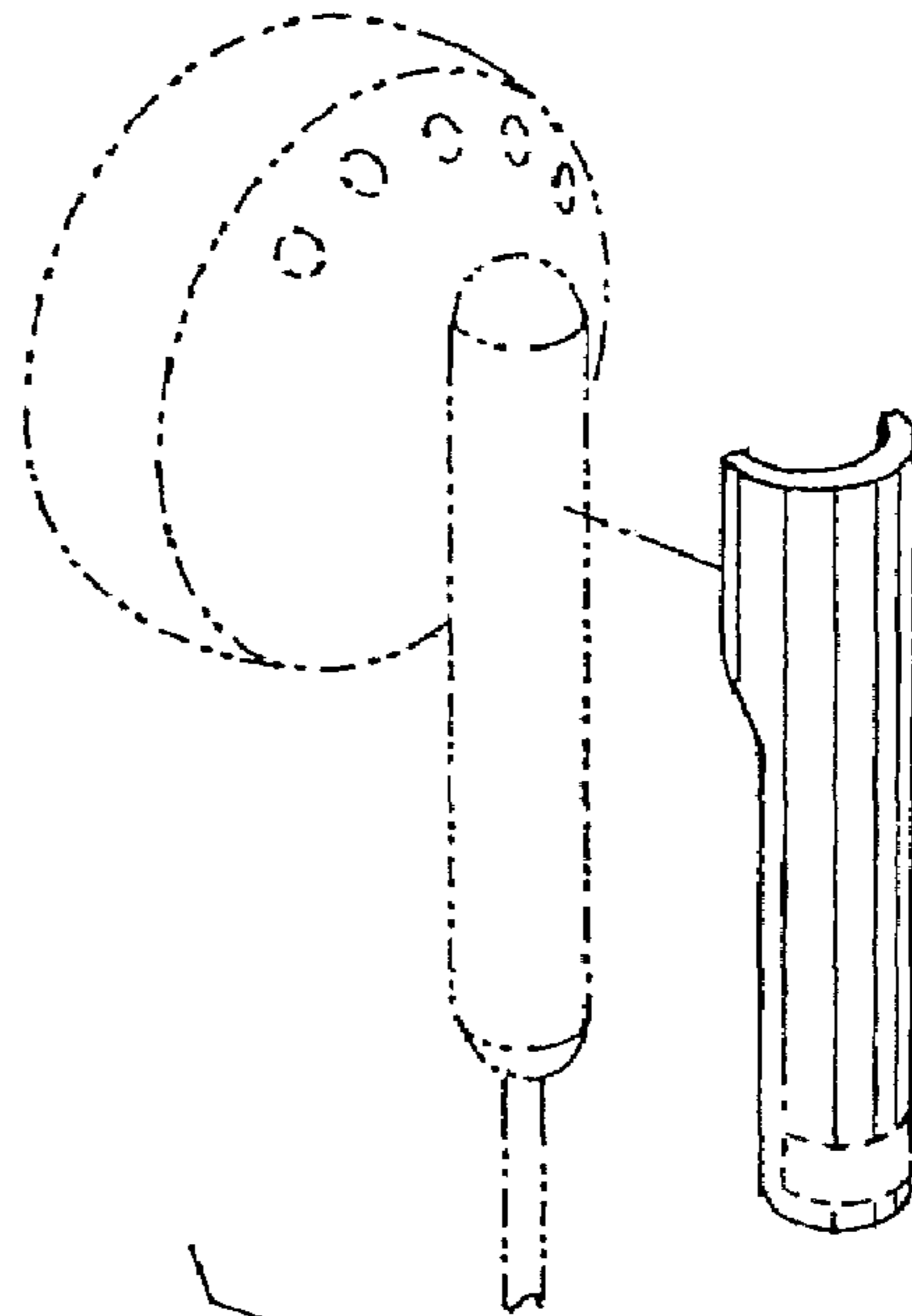


Fig. 9

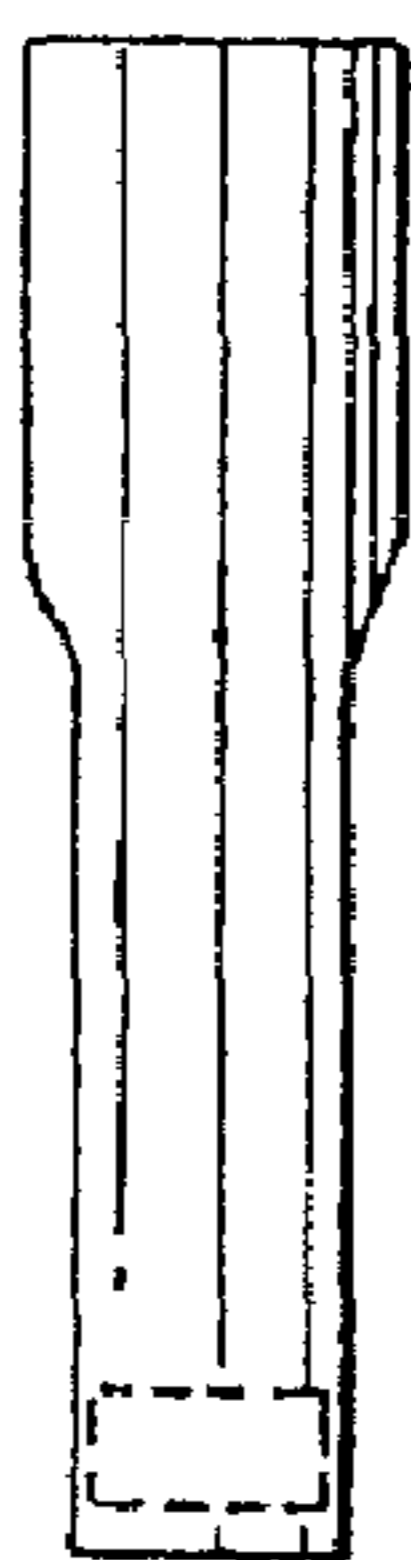


Fig. 10

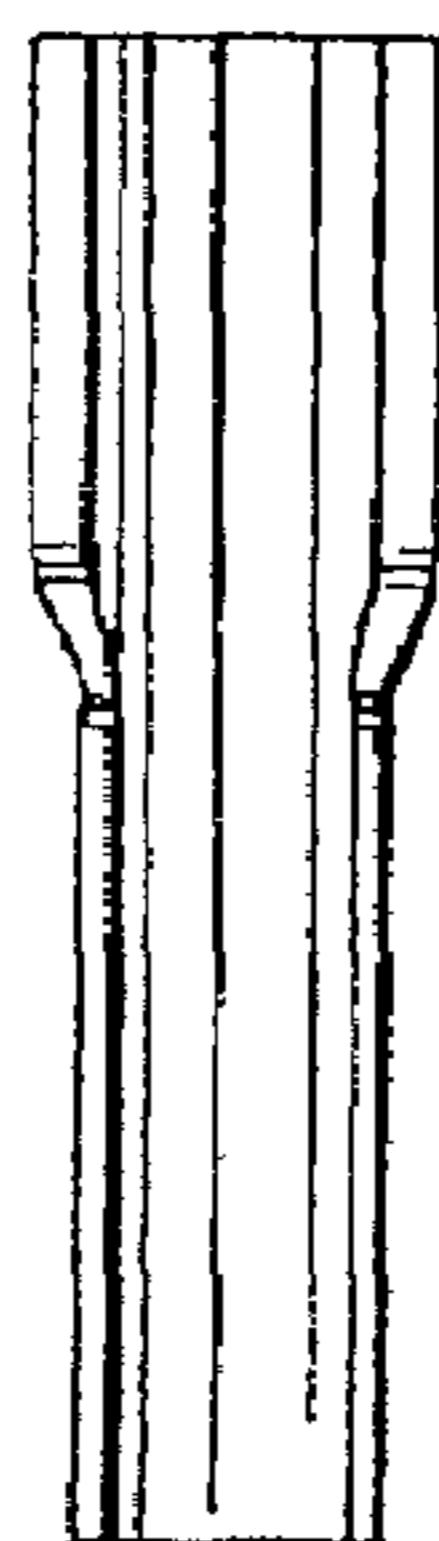


Fig. 11

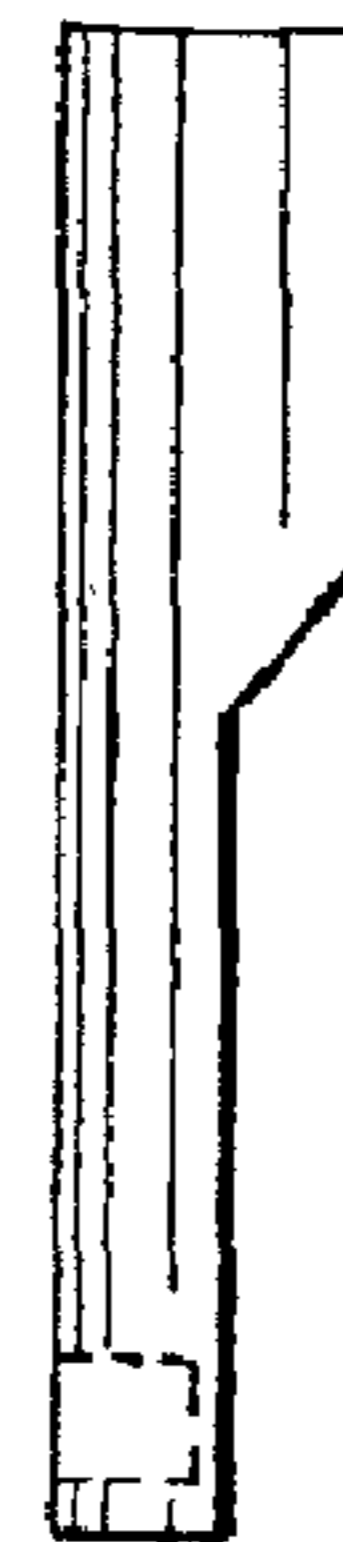


Fig. 12



Fig. 13



Fig. 14

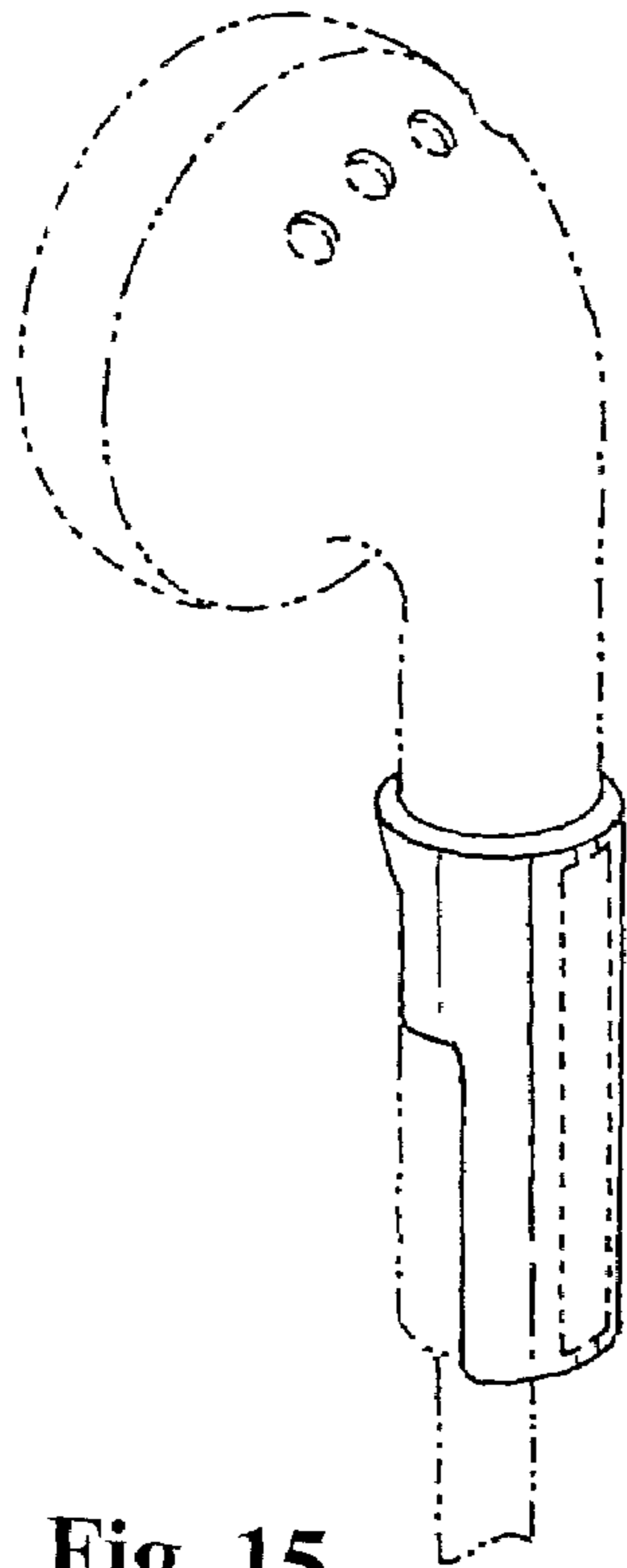


Fig. 15

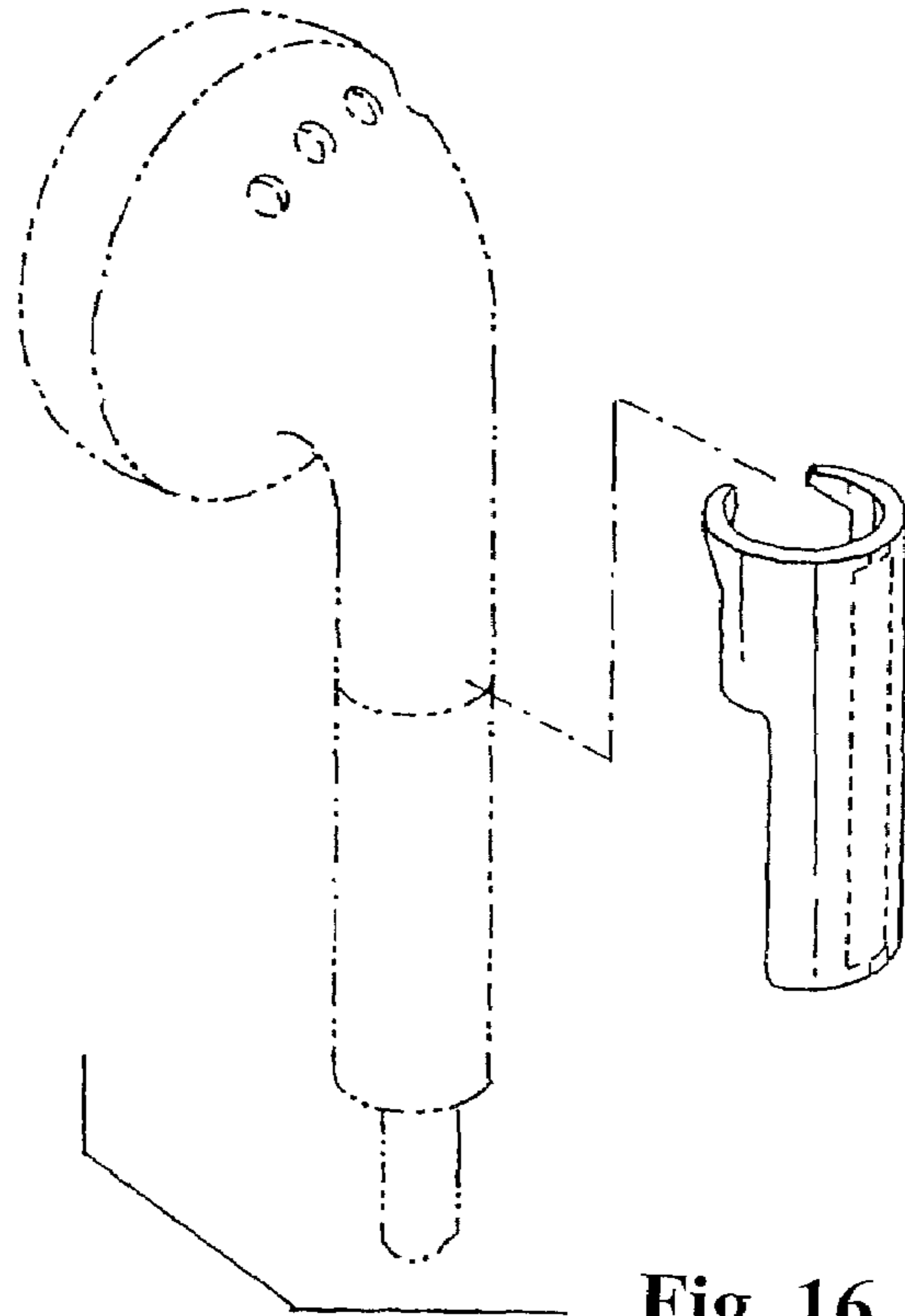


Fig. 16

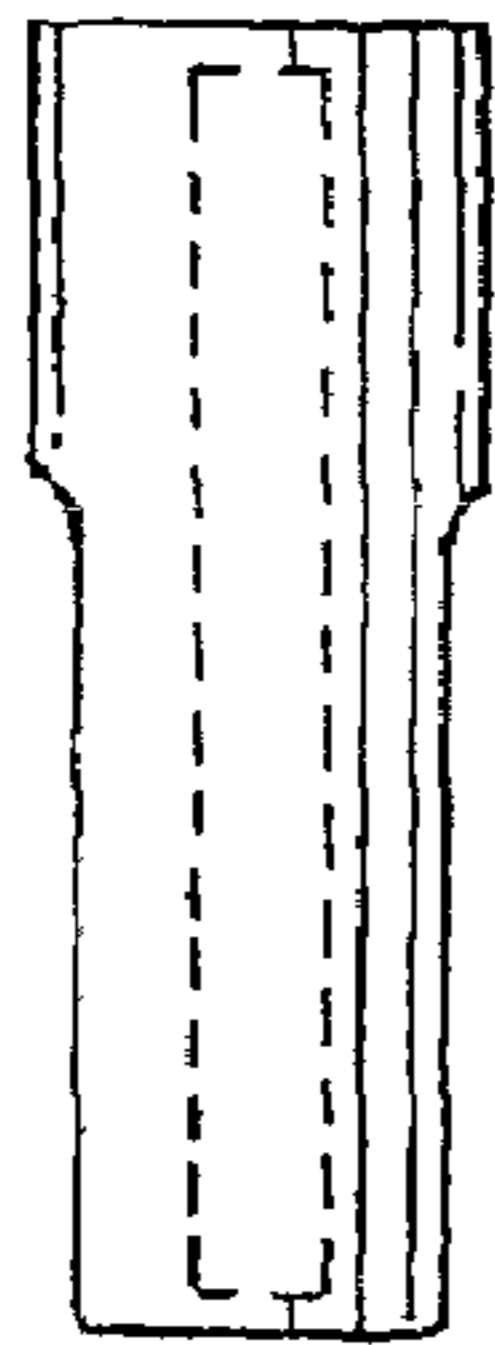


Fig. 17

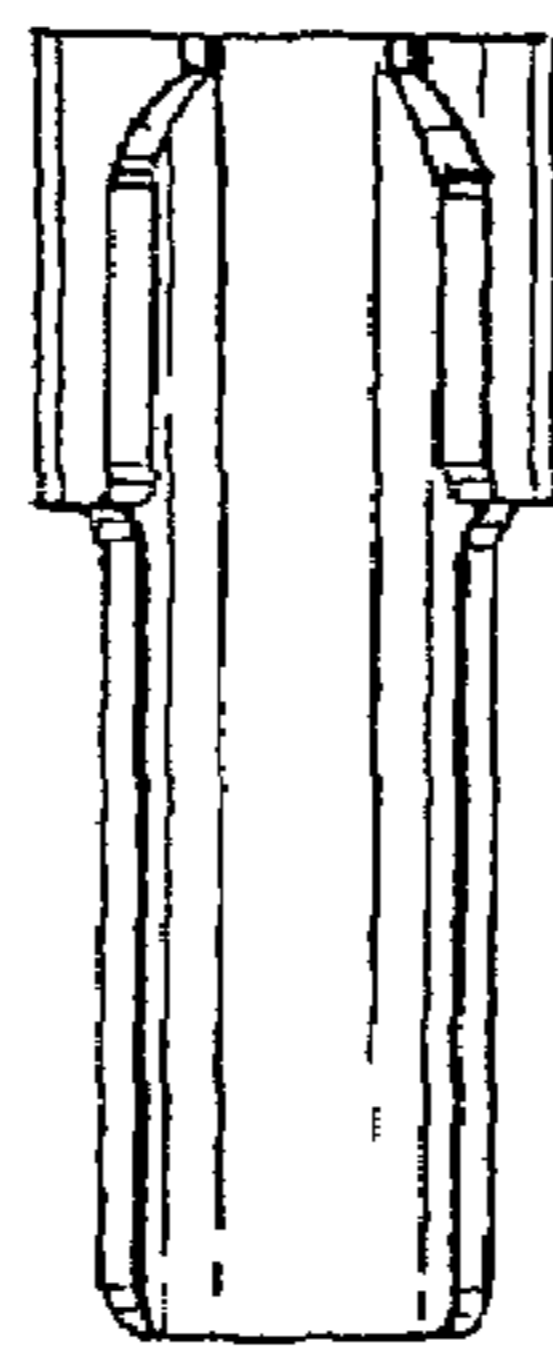


Fig. 18

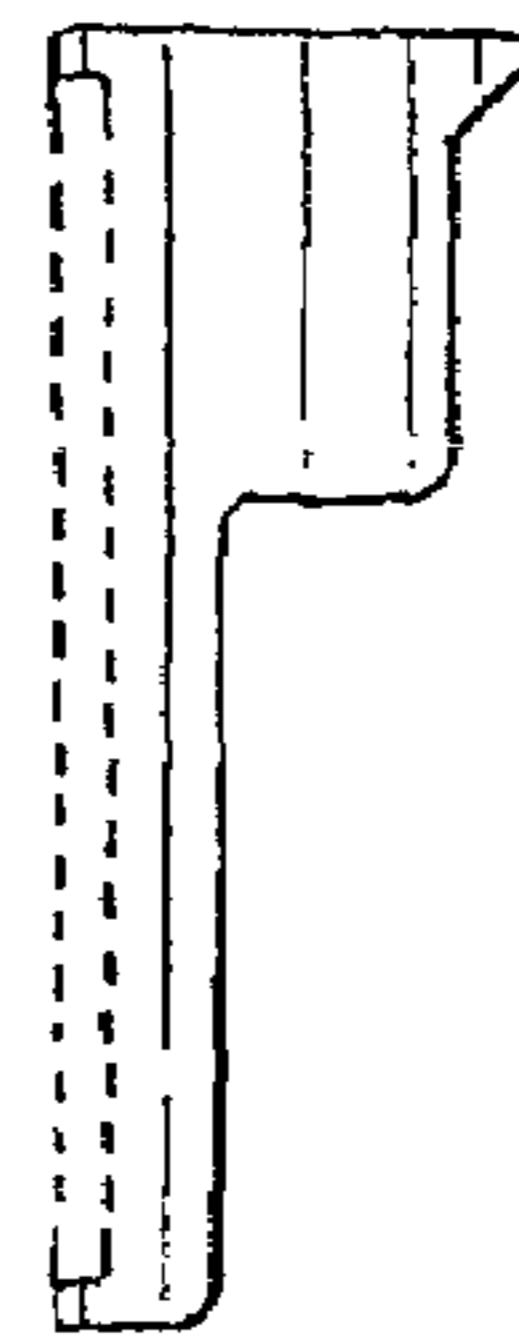


Fig. 19



Fig. 20



Fig. 21